

US00D540374S

(12) **United States Design Patent**
Corcoran

(10) **Patent No.:** **US D540,374 S**

(45) **Date of Patent:** **** Apr. 10, 2007**

(54) **ROLLER PRESS**

(75) Inventor: **Kevin L. Corcoran**, Mission Viejo, CA (US)

(73) Assignee: **Ellison Educational Equipment, Inc.**, Lake Forest, CA (US)

(**) Term: **14 Years**

(21) Appl. No.: **29/230,857**

(22) Filed: **May 27, 2005**

(51) **LOC (8) Cl.** **19-02**

(52) **U.S. Cl.** **D18/14**

(58) **Field of Classification Search** D18/34.1-34.9, D18/99, 50; 83/167, 289, 302, 203, 523, 83/633; 241/169.1, 36, 154, 157, 222, 224, 241/168, 284; D14/240, 356, 435; 101/269, 101/56; 426/87; D8/99; D13/83; D19/65, D19/72; 361/683; 360/133; D7/697

See application file for complete search history.

(56) **References Cited**

U.S. PATENT DOCUMENTS

118,835 A * 9/1871 Bailey 101/269
142,648 A * 9/1873 Peterson 101/269

278,848 A * 6/1883 Baldwin 101/269
1,079,325 A * 11/1913 Blue 101/269
1,160,046 A * 11/1915 Coonnell 101/269
1,523,736 A * 1/1925 Wagner 101/269
D67,727 S * 6/1925 Strasburger et al. D7/697
2,068,707 A * 1/1937 Reardon 101/269
2,994,265 A * 8/1961 Hurlbut et al. 101/269
5,385,094 A * 1/1995 Kennedy 101/269

* cited by examiner

Primary Examiner—Charles A. Rademaker

(74) *Attorney, Agent, or Firm*—Morland C. Fischer

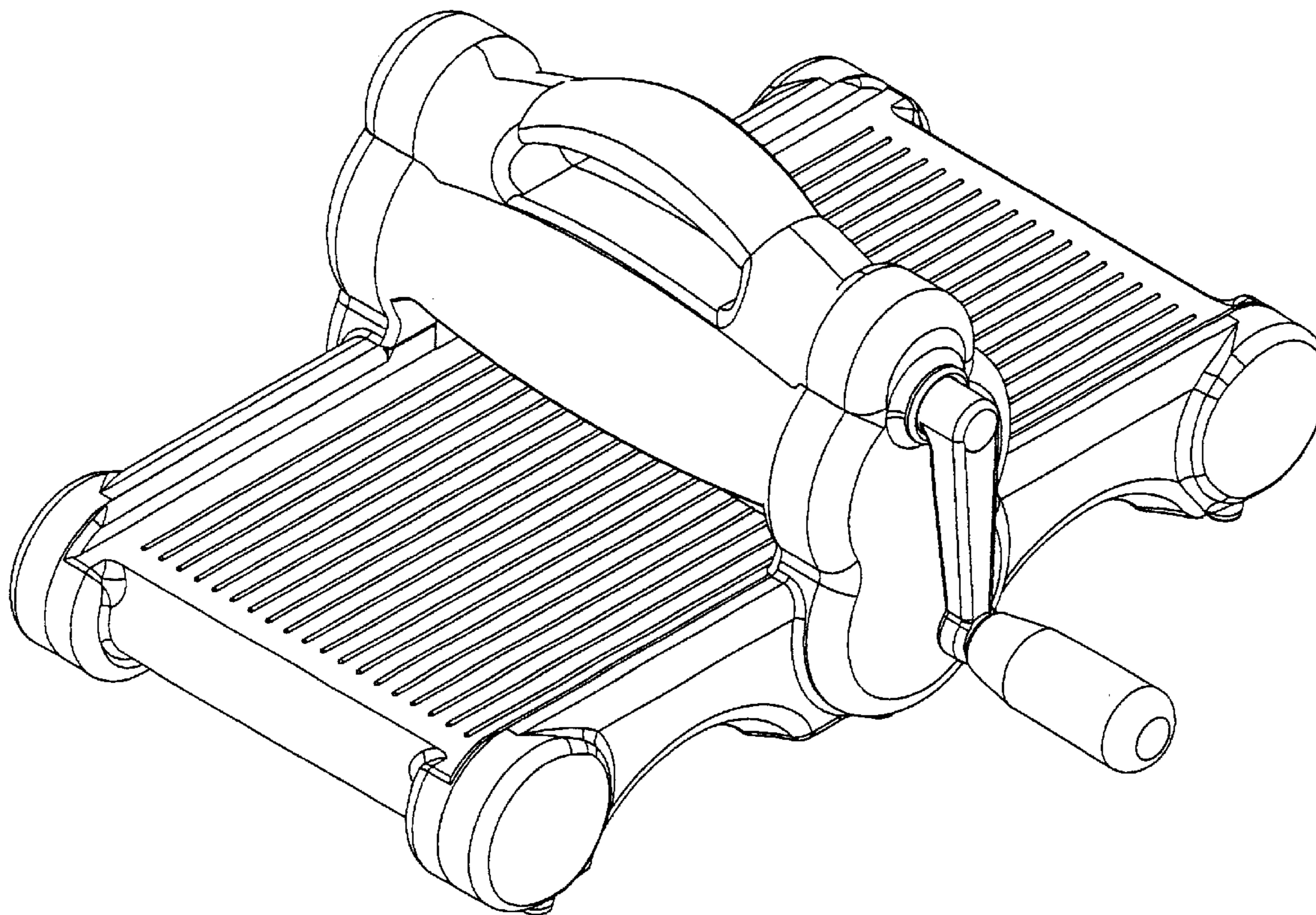
(57) **CLAIM**

The ornamental design for a roller press, as shown and described.

DESCRIPTION

FIG. 1 is a perspective view showing the top, left side and front of a roller press which forms my new design; FIG. 2 is a front elevational view thereof; FIG. 3 is a rear elevational view thereof; FIG. 4 is a top plan view thereof; FIG. 5 is a bottom plan view thereof; FIG. 6 is a left side elevational view thereof; and, FIG. 7 is a right side elevational view thereof.

1 Claim, 4 Drawing Sheets



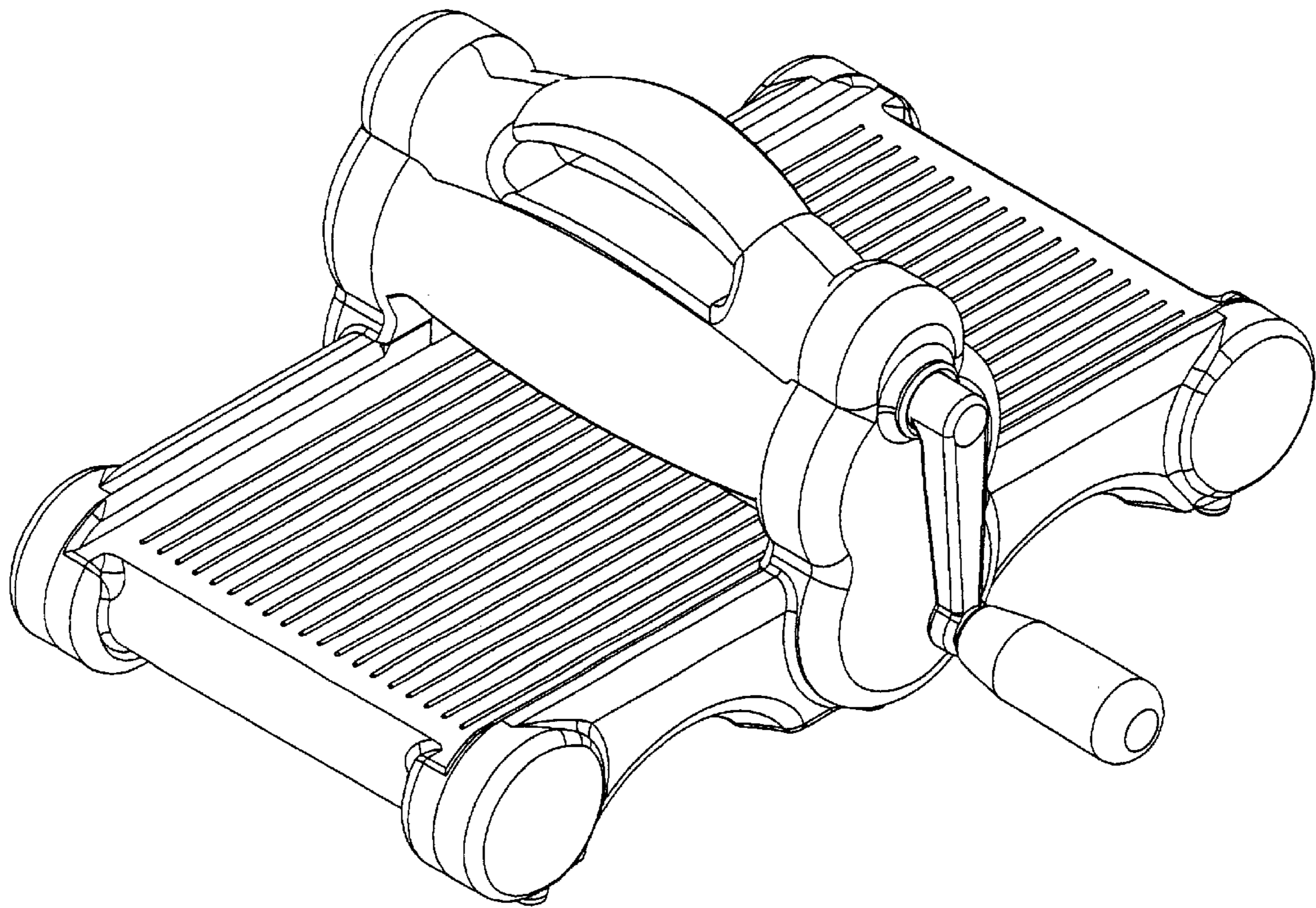


FIG 1

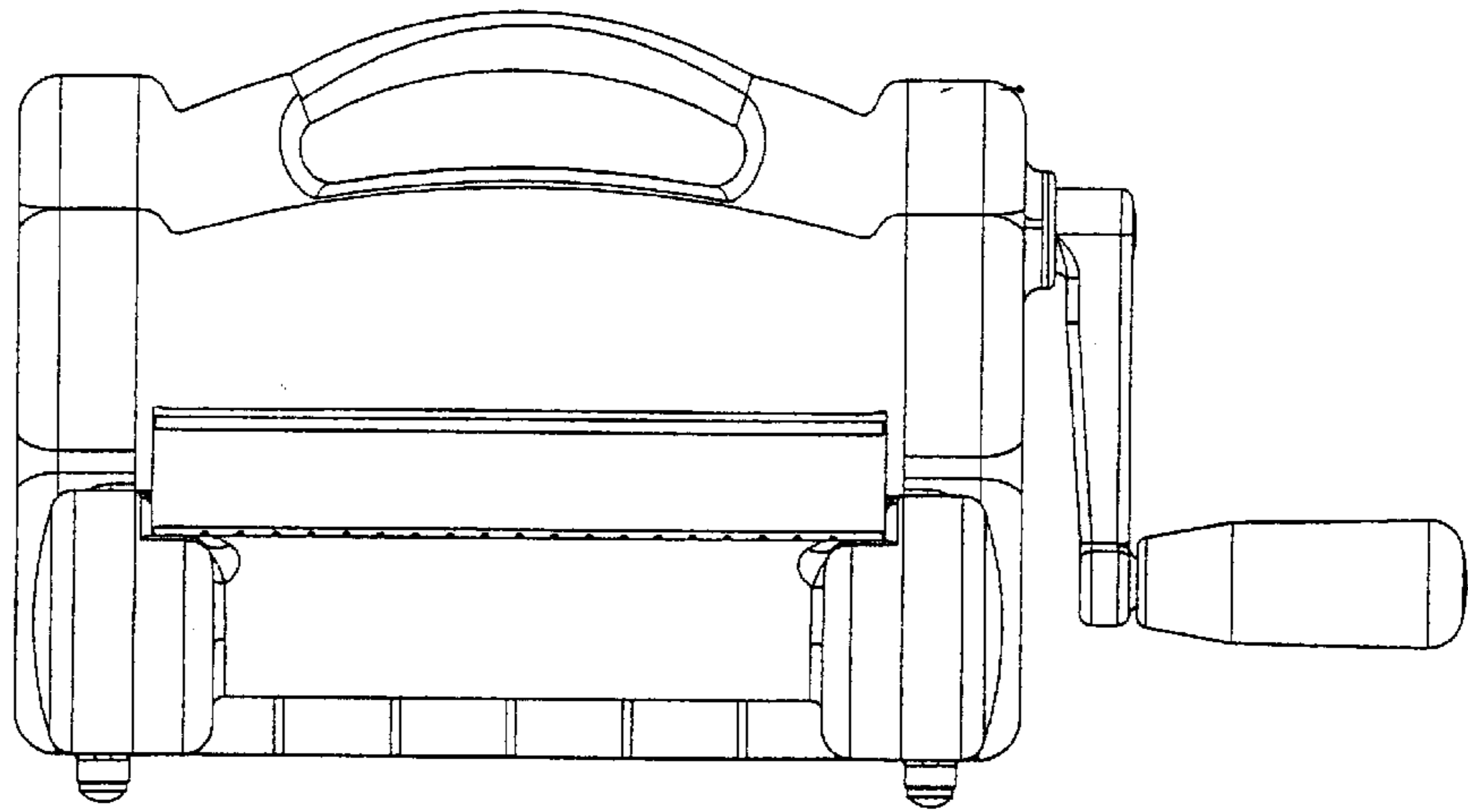


FIG 2

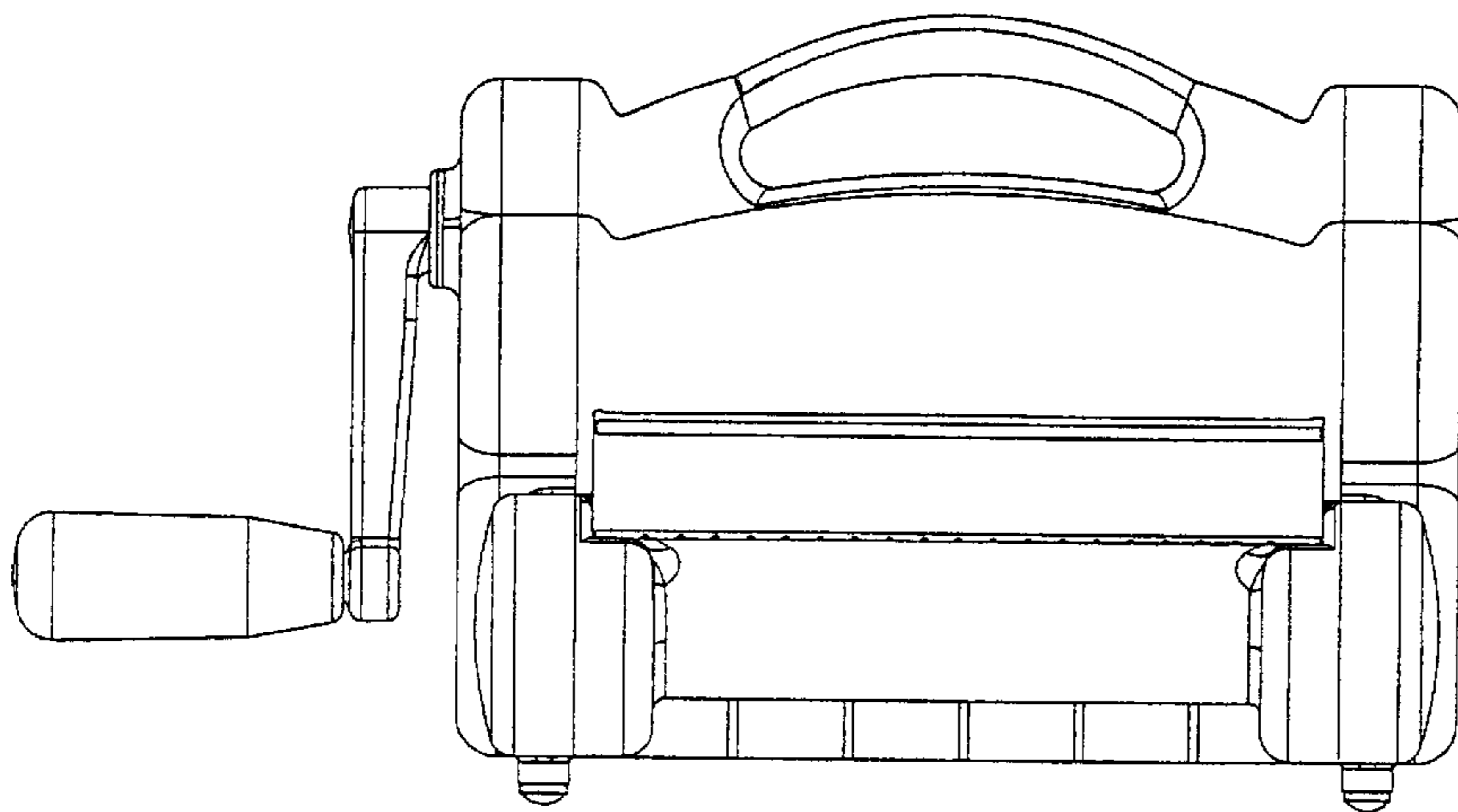
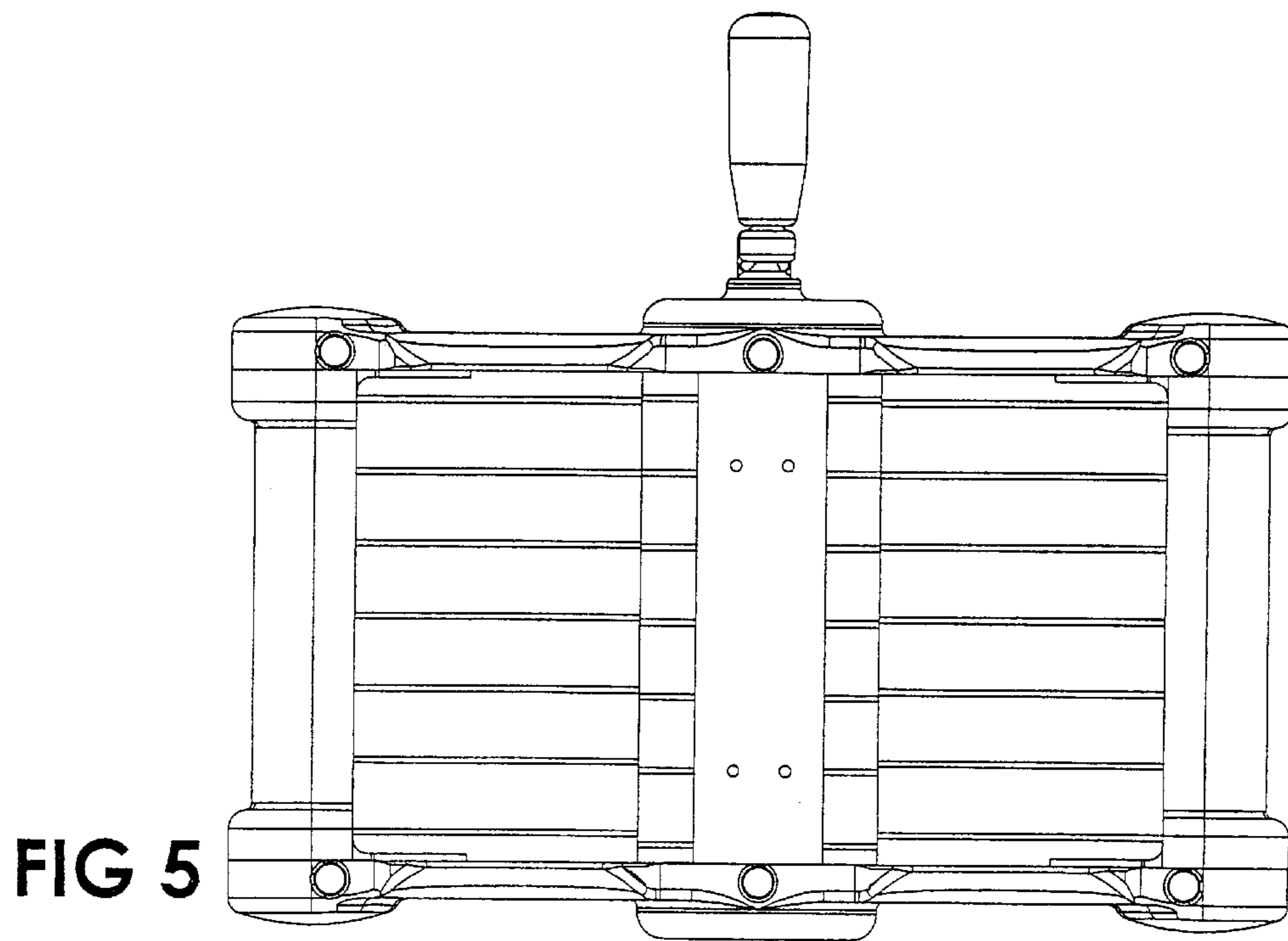
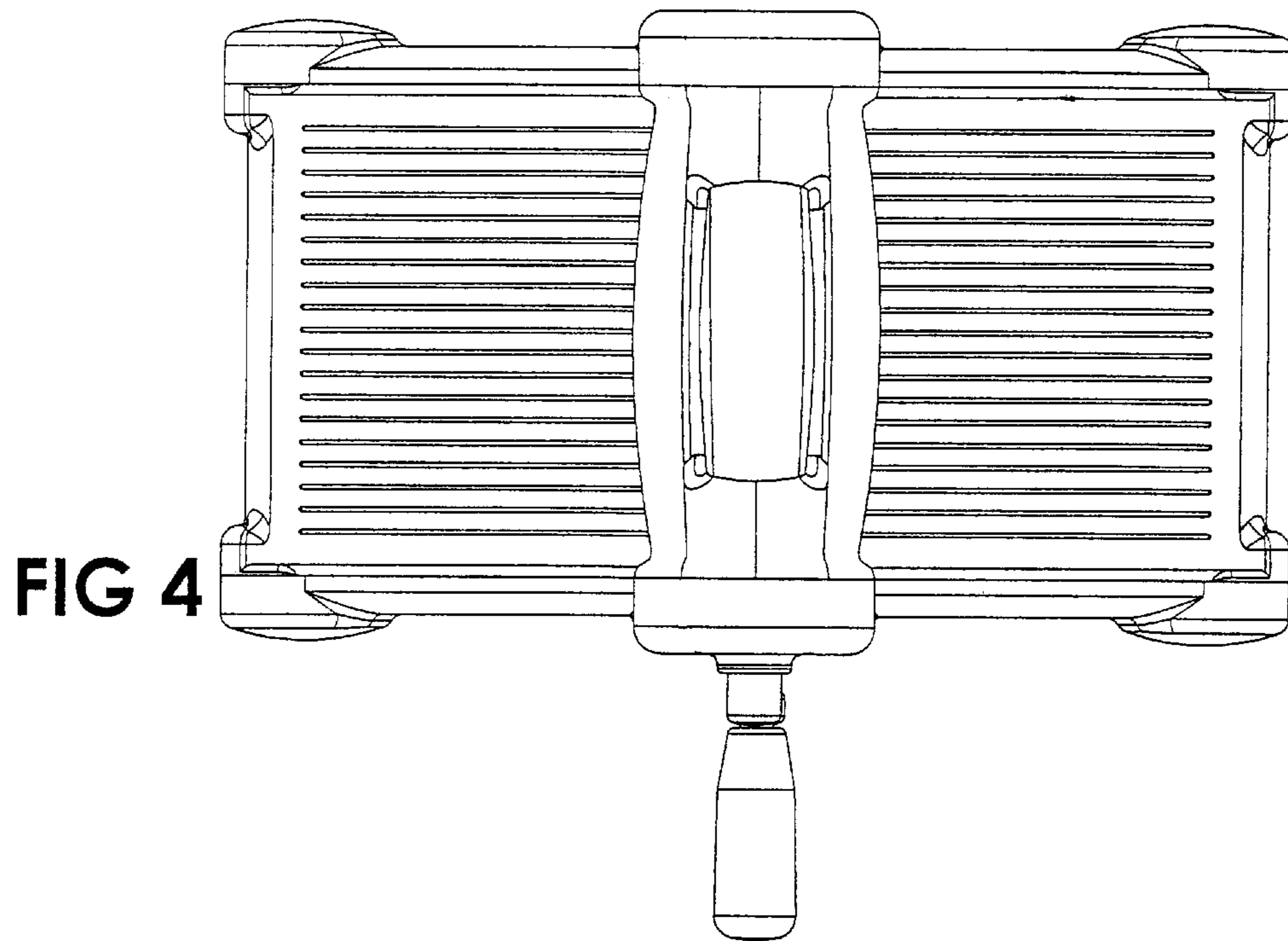


FIG 3



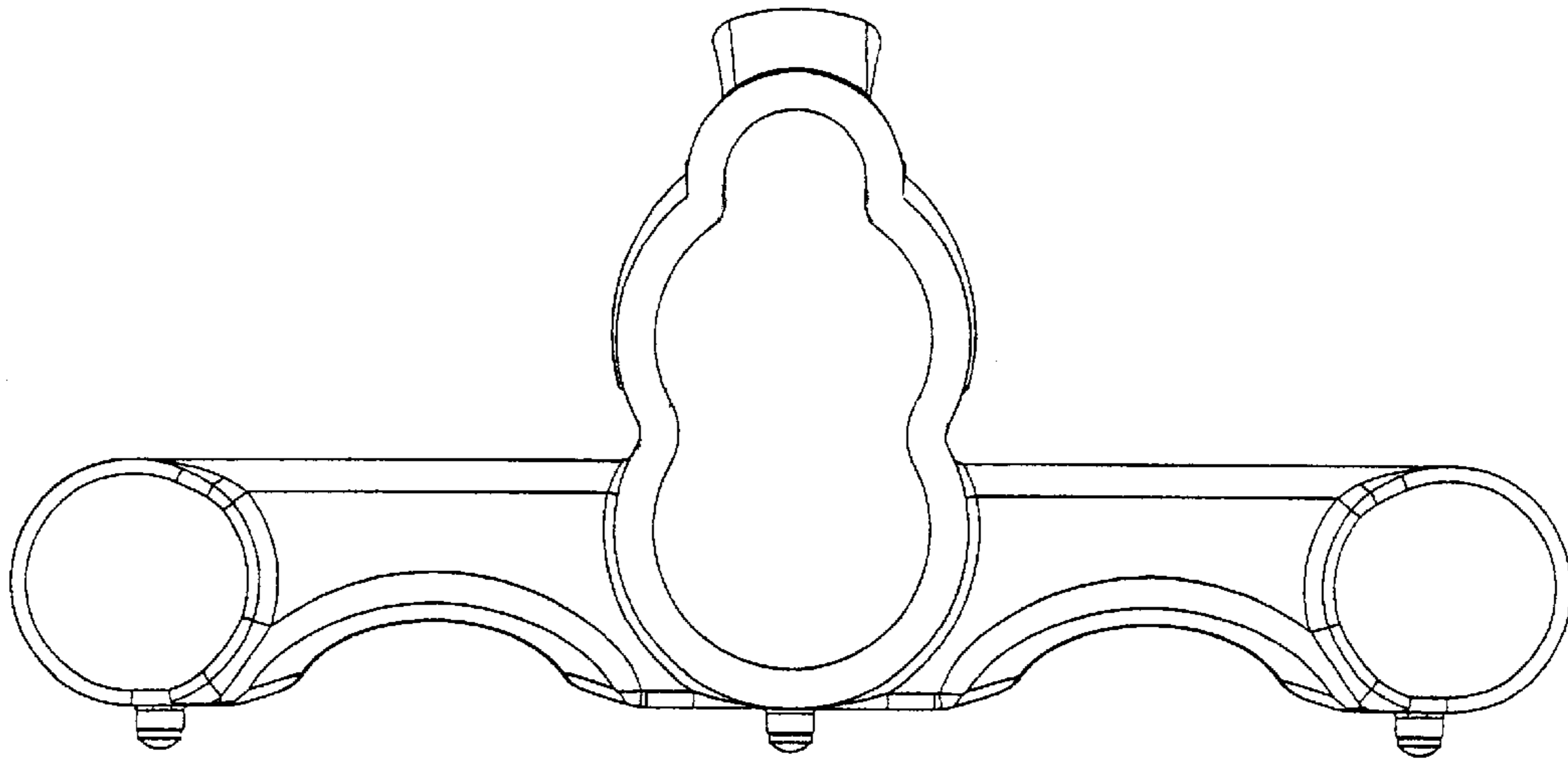


FIG 6

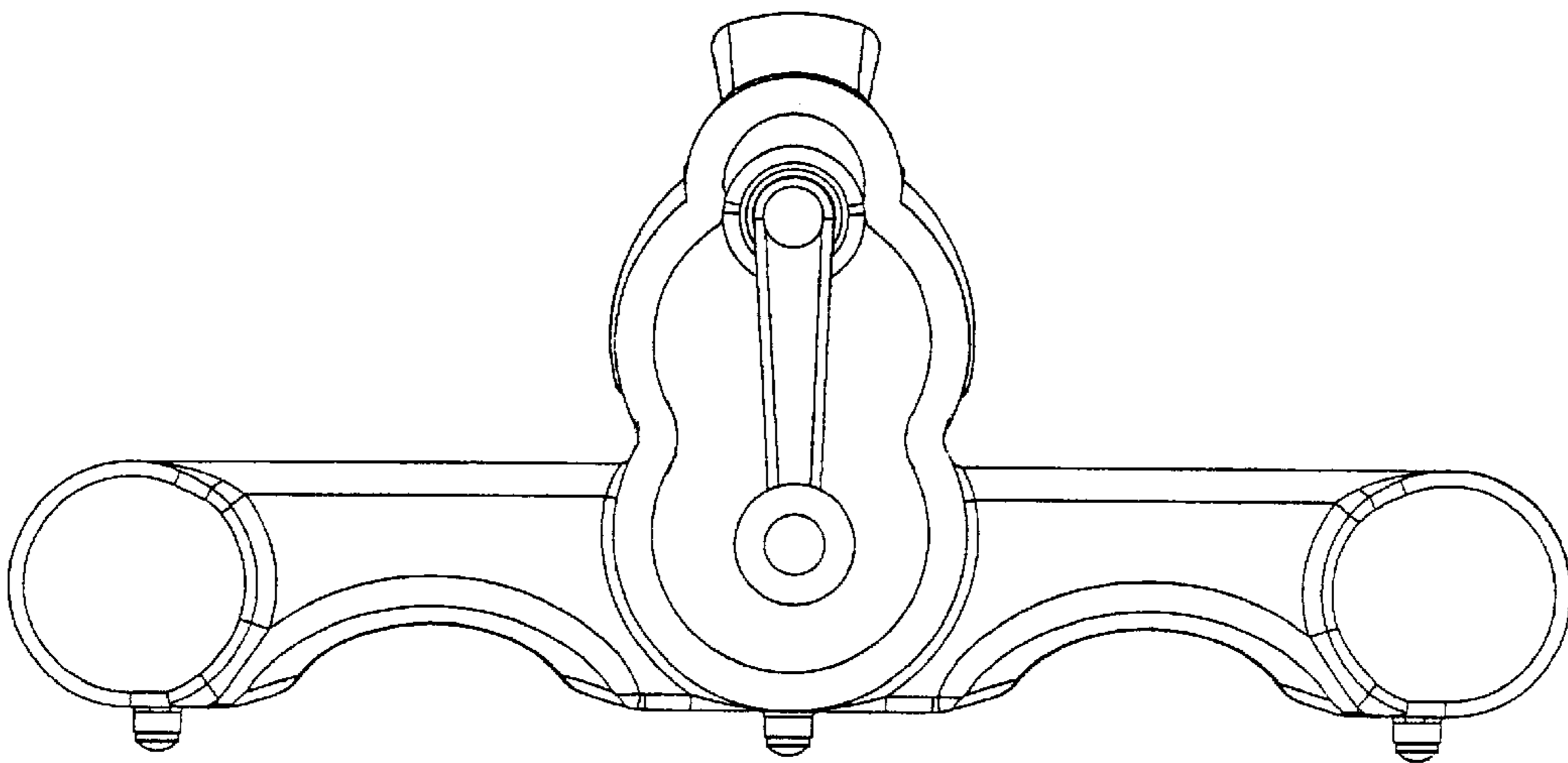


FIG 7