



US00D540373S

(12) **United States Design Patent**
Kawaguchi

(10) **Patent No.:** **US D540,373 S**

(45) **Date of Patent:** **** Apr. 10, 2007**

(54) **IMPRINTER**

(75) Inventor: **Kiyomi Kawaguchi**, Tokyo (JP)

(73) Assignee: **Janome Sewing Machine Co., Ltd.**,
Tokyo (JP)

(**) Term: **14 Years**

(21) Appl. No.: **29/230,834**

(22) Filed: **May 27, 2005**

(30) **Foreign Application Priority Data**

Nov. 30, 2004 (JP) 2004-036473

(51) **LOC (8) Cl.** **19-02**

(52) **U.S. Cl.** **D18/14**

(58) **Field of Classification Search** D18/34.1-34.9,
D18/99, 50; 83/167, 289, 302, 203, 523,
83/633; 241/169.1, 36, 154, 157, 222, 224,
241/168, 284; D14/240; 101/269, 56; 426/87;
D8/99

See application file for complete search history.

(56) **References Cited**

U.S. PATENT DOCUMENTS

- 3,277,822 A * 10/1966 Maul et al. 101/269
- 3,388,659 A * 6/1968 Hu 101/269
- 4,281,596 A * 8/1981 Bowen 101/269
- 4,324,181 A * 4/1982 Maul, Sr. 101/269
- D267,806 S * 2/1983 Panter D18/15
- 4,615,267 A * 10/1986 Caporaso et al. 101/269
- D305,643 S * 1/1990 Stark et al. D18/4.6

- 4,938,132 A * 7/1990 Finn et al. 101/269
- 5,193,459 A * 3/1993 Barbour 101/269
- 5,385,094 A * 1/1995 Kennedy 101/269
- 5,460,089 A * 10/1995 Kennedy 101/269
- D420,671 S * 2/2000 Jacobsen et al. D14/240
- 6,318,258 B1 * 11/2001 Kennedy 101/269

* cited by examiner

Primary Examiner—Charles A. Rademaker

(74) *Attorney, Agent, or Firm*—McGinn IP Law Group,
PLLC

(57) **CLAIM**

The ornamental design for an imprinter, as shown and described.

DESCRIPTION

FIG. 1 is a top perspective view of an imprinter showing my new design;
 FIG. 2 is a bottom perspective view thereof;
 FIG. 3 is a top plan view thereof;
 FIG. 4 is a bottom plan view thereof;
 FIG. 5 is a side elevation thereof shown in an inverted position;
 FIG. 6 is a side elevation of the side opposite that shown in FIG. 5;
 FIG. 7 is a right end elevational thereof;
 FIG. 8 is a left end elevation thereof in an inverted position;
 FIG. 9 is a cross-sectional view thereof taken along line A—A in FIG. 3; and,
 FIG. 10 is a cross-sectional view thereof taken along line B—B in FIG. 3.

1 Claim, 10 Drawing Sheets

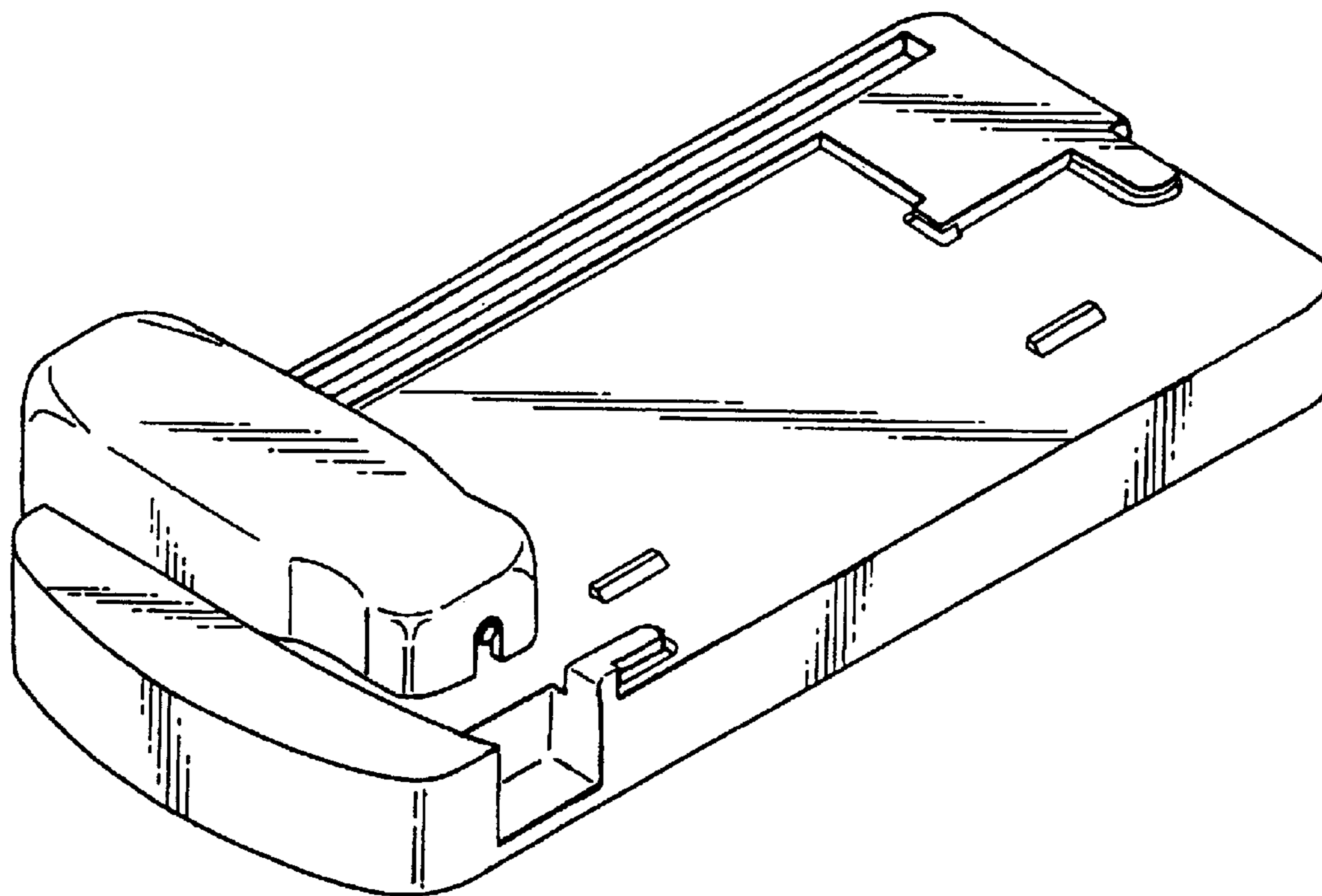
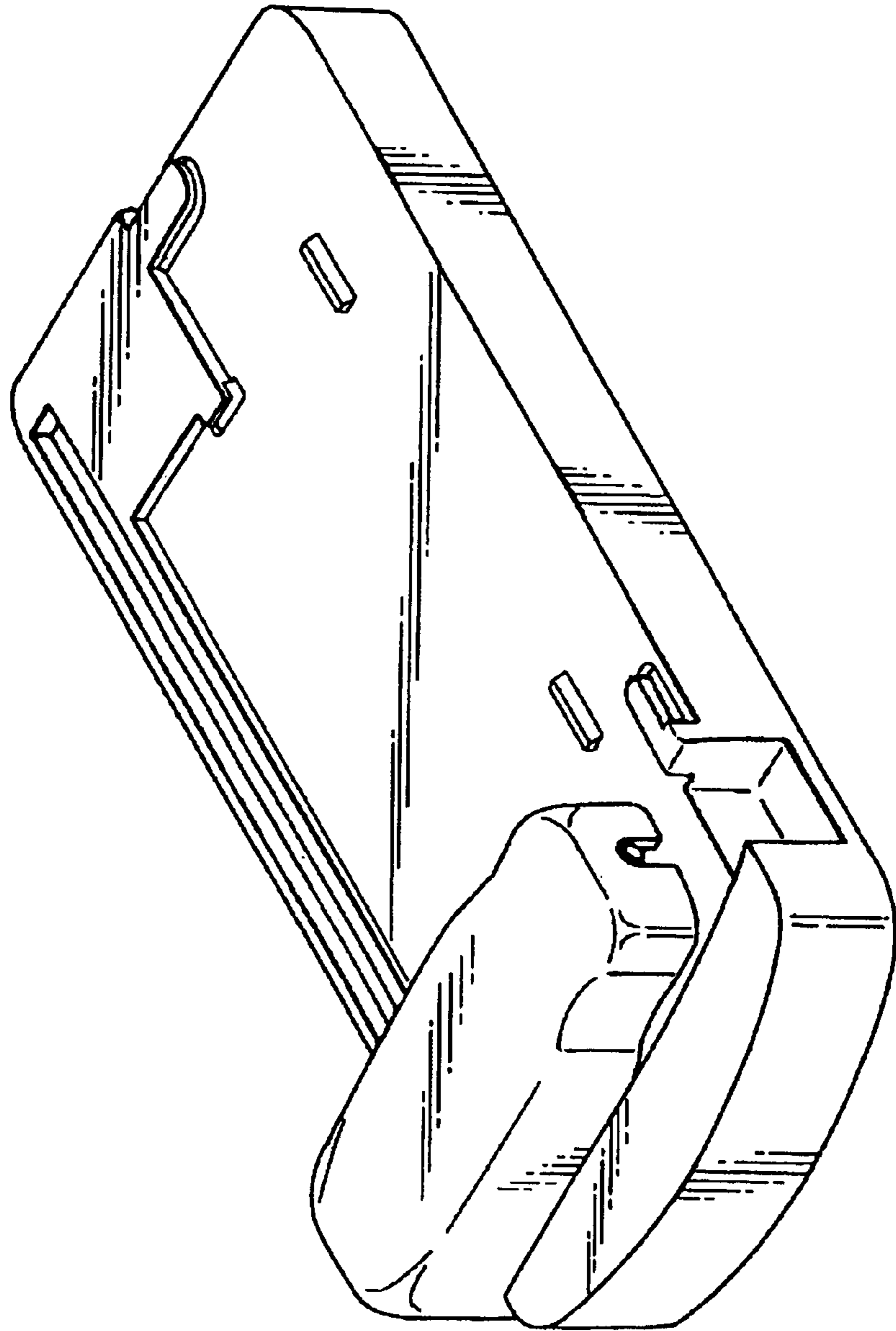


Fig. 1



F i g . 2

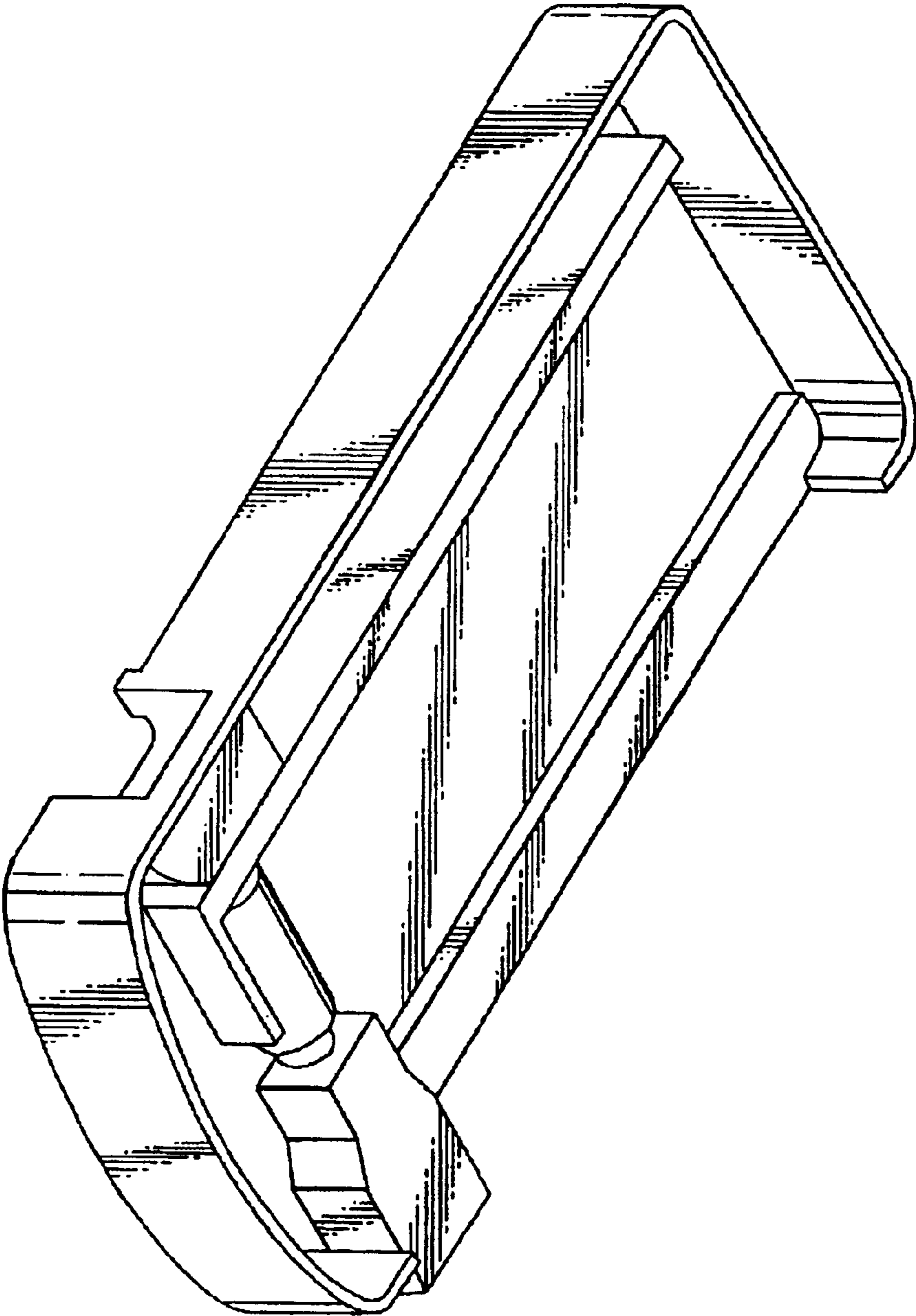


Fig. 3

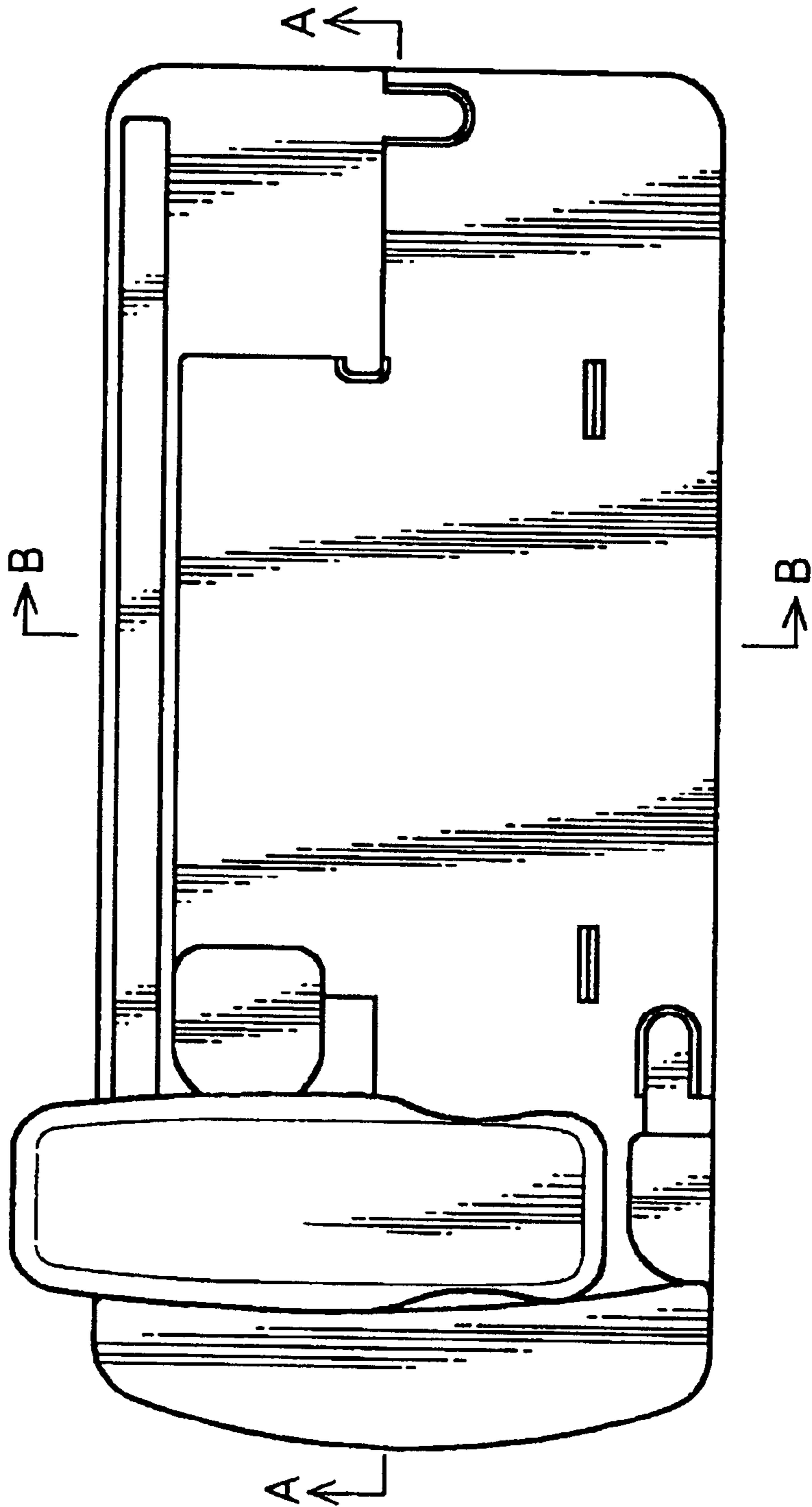


Fig. 4

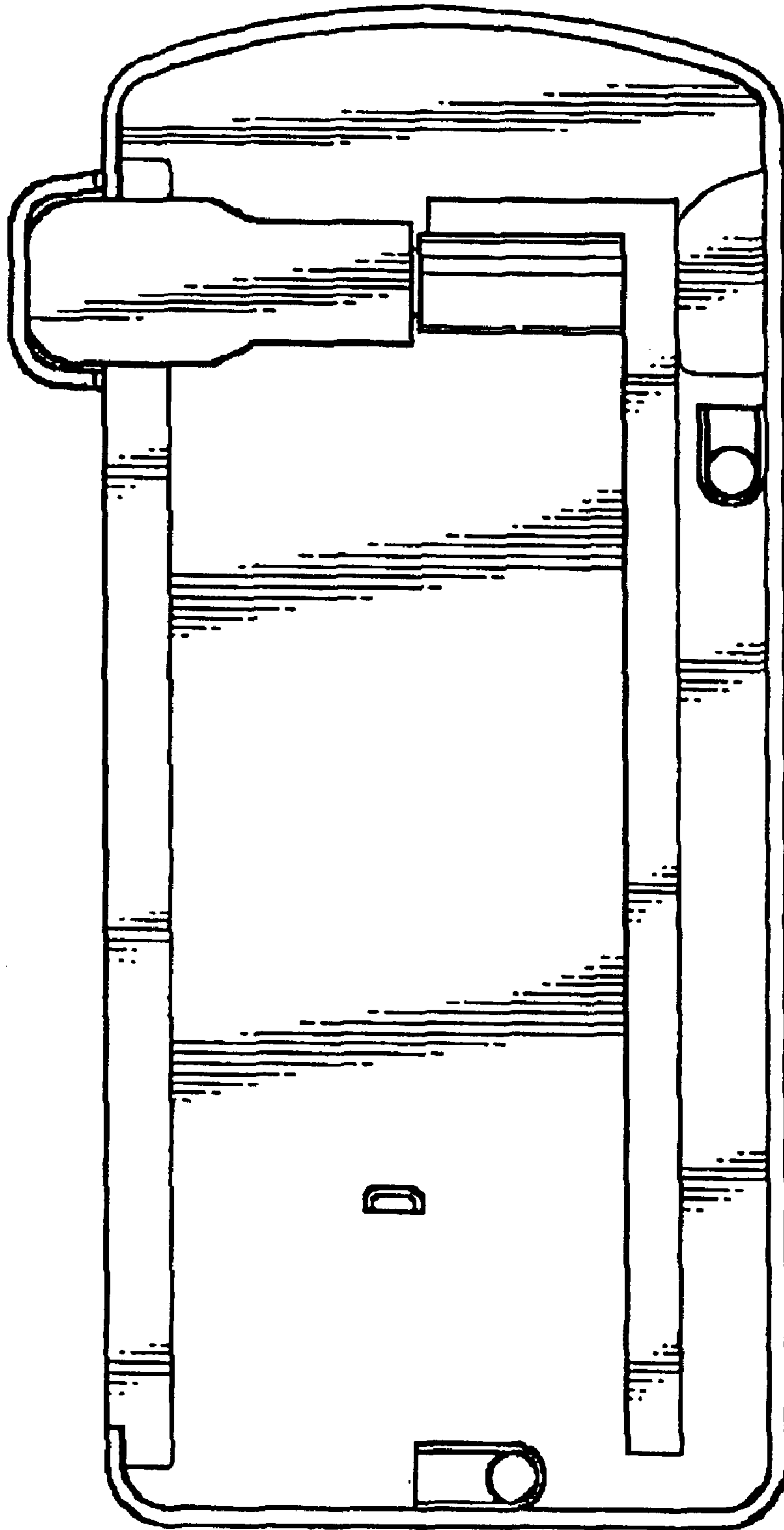
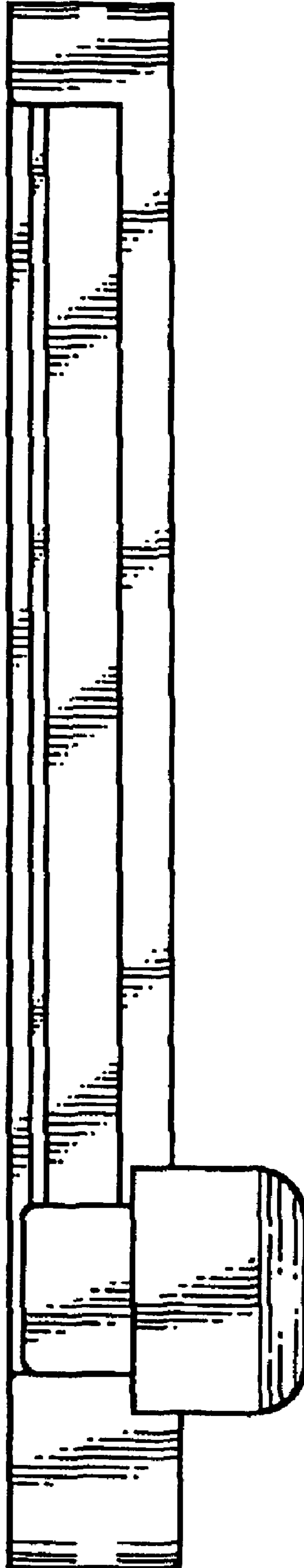


Fig. 5



F i g . 6

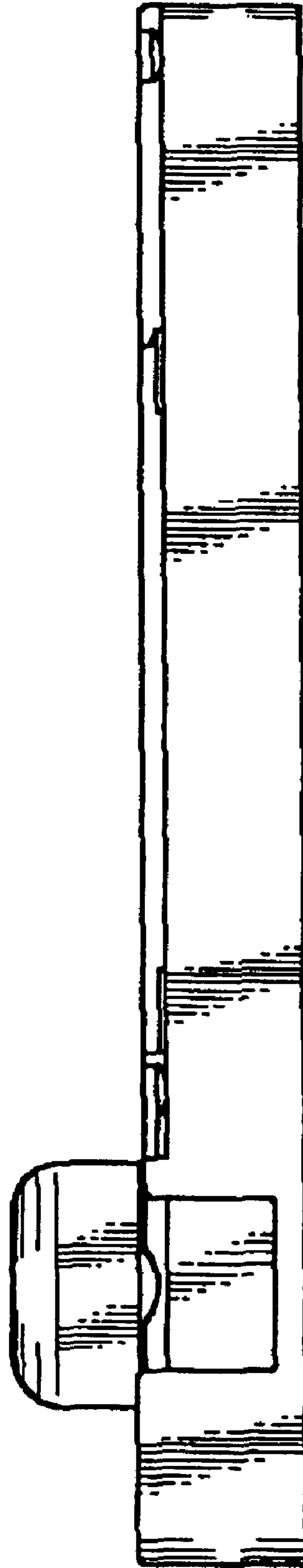


Fig. 7

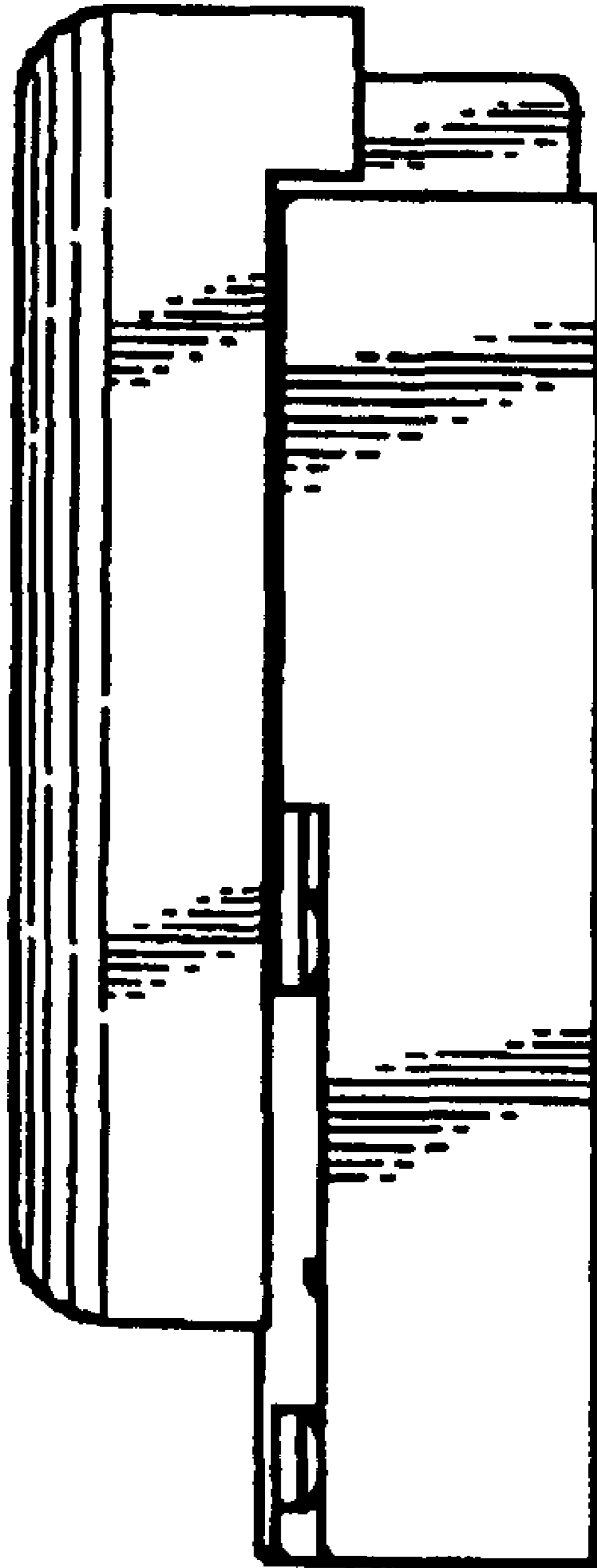
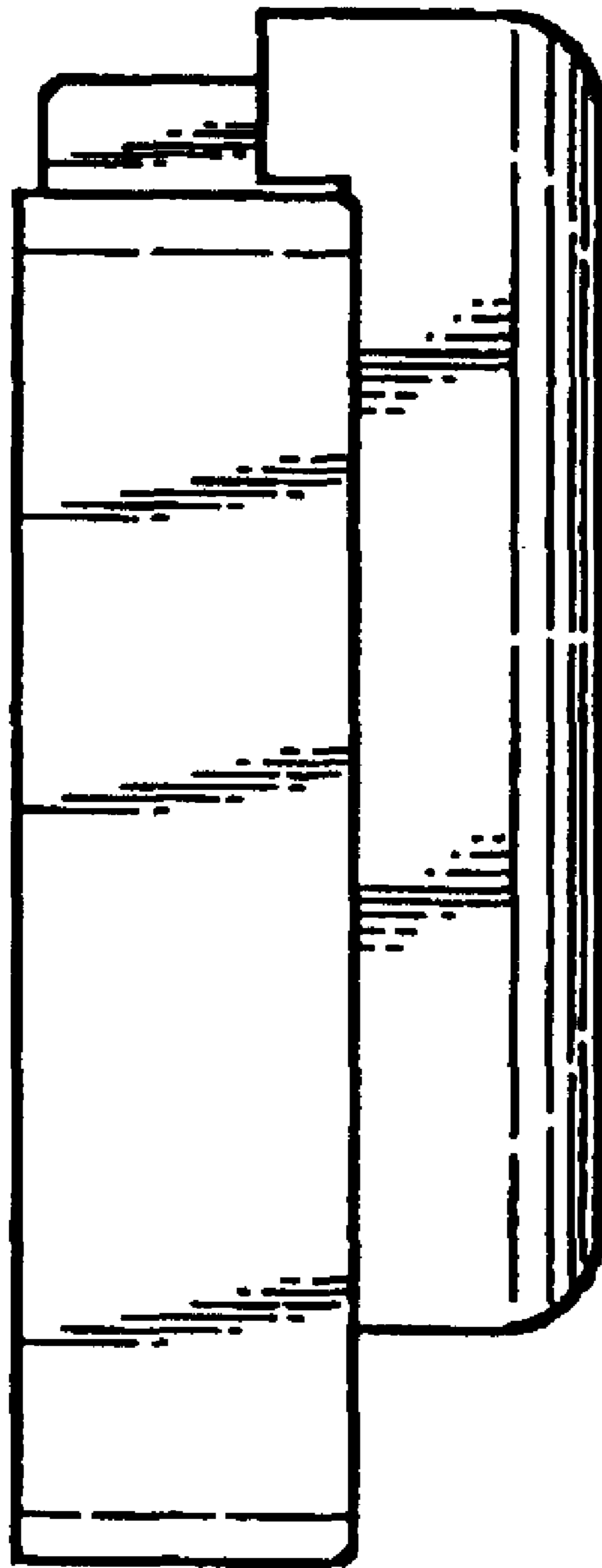


Fig. 8



F i g . 9

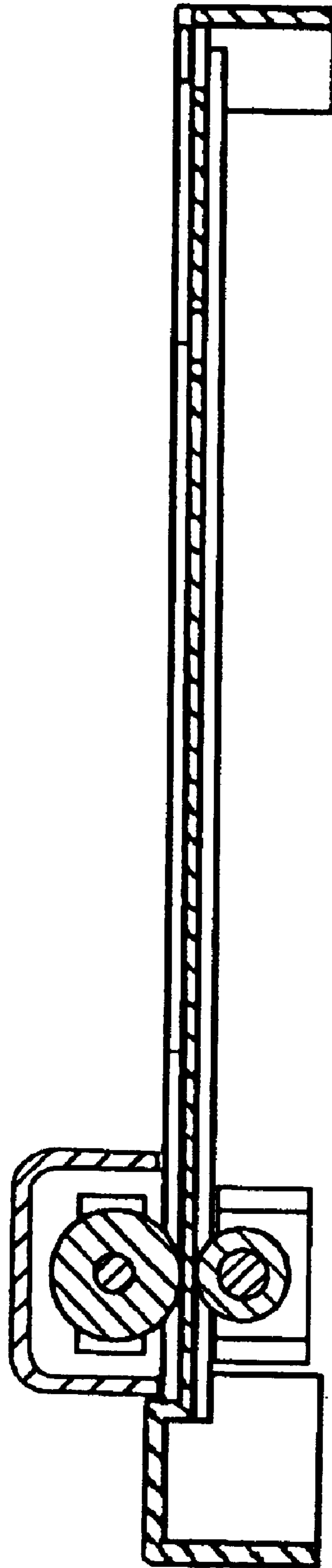


Fig. 10

