



US00D540369S

(12) **United States Design Patent**
Mouclier

(10) **Patent No.:** **US D540,369 S**

(45) **Date of Patent:** **** Apr. 10, 2007**

(54) **GLASSES**

(75) Inventor: **Jean Mouclier**, Montmorency (FR)

(73) Assignee: **Cartier International B.V.**,
Amsterdam (NL)

(**) Term: **14 Years**

(21) Appl. No.: **29/228,296**

(22) Filed: **Apr. 21, 2005**

(30) **Foreign Application Priority Data**

Oct. 22, 2004 (EM) 000242854-0005

(51) **LOC (8) Cl.** **16-06**

(52) **U.S. Cl.** **D16/315**; D16/316; D16/321;
D16/335; D16/334

(58) **Field of Classification Search** D16/300-330,
D16/101, 332-338; D29/109-110; D24/110.2;
351/41, 44, 51-52, 62, 158, 92, 103-111,
351/130, 61, 114-119, 121-123; 2/426-432,
2/448, 436, 441, 447, 434-437

See application file for complete search history.

(56) **References Cited**

U.S. PATENT DOCUMENTS

1,845,582	A	*	2/1932	Courtright	351/121
D217,393	S	*	4/1970	Simon	D16/321
D268,271	S		3/1983	Kanoui		
D272,451	S		1/1984	Kanoui		
D272,452	S		1/1984	Kanoui		
D274,534	S		7/1984	Kanoui		
D275,204	S		8/1984	Kanoui		
D282,079	S	*	1/1986	Zalloni	D16/321
D292,983	S		12/1987	Kanoui		
D293,251	S		12/1987	Kanoui		
D294,035	S		2/1988	Kanoui		

D294,593	S		3/1988	Kanoui		
D294,594	S		3/1988	Kanoui		
D294,595	S		3/1988	Kanoui		
D326,673	S		6/1992	Perrin		
D346,812	S	*	5/1994	Luzlbauer	D16/321
D386,512	S		11/1997	Perrin et al.		
D395,442	S	*	6/1998	Simioni	D16/327
D397,714	S	*	9/1998	Simioni	D16/327
D413,138	S	*	8/1999	Flanagan	D16/320
D417,462	S	*	12/1999	Chang	D16/335
D425,927	S	*	5/2000	Wang	D16/326
D433,699	S	*	11/2000	Lepeu et al.	D16/328
D434,790	S	*	12/2000	Lepeu et al.	D16/328
D443,633	S	*	6/2001	Lazarides	D16/327
D453,993	S		3/2002	Diltoer		
6,969,173	B1	*	11/2005	Ku	351/121

OTHER PUBLICATIONS

Fendi catalog, p. 12, 1997.*
Bloomingdale's, p. 29, 2003.*
Neostyle Eyewear, p. 4, 2000.*
2001 Cartier Catalog.

* cited by examiner

Primary Examiner—Raphael Barkai

(74) *Attorney, Agent, or Firm*—Kalow & Springut LLP

(57) **CLAIM**

The ornamental design for glasses, as shown and described.

DESCRIPTION

FIG. 1 is a perspective view of the glasses.
FIG. 2 is a front view of the glasses; and,
FIG. 3 is a side view of the glasses.
The broken lines of the figures are for illustrative purposes
only and form no part of the claimed design.

1 Claim, 1 Drawing Sheet

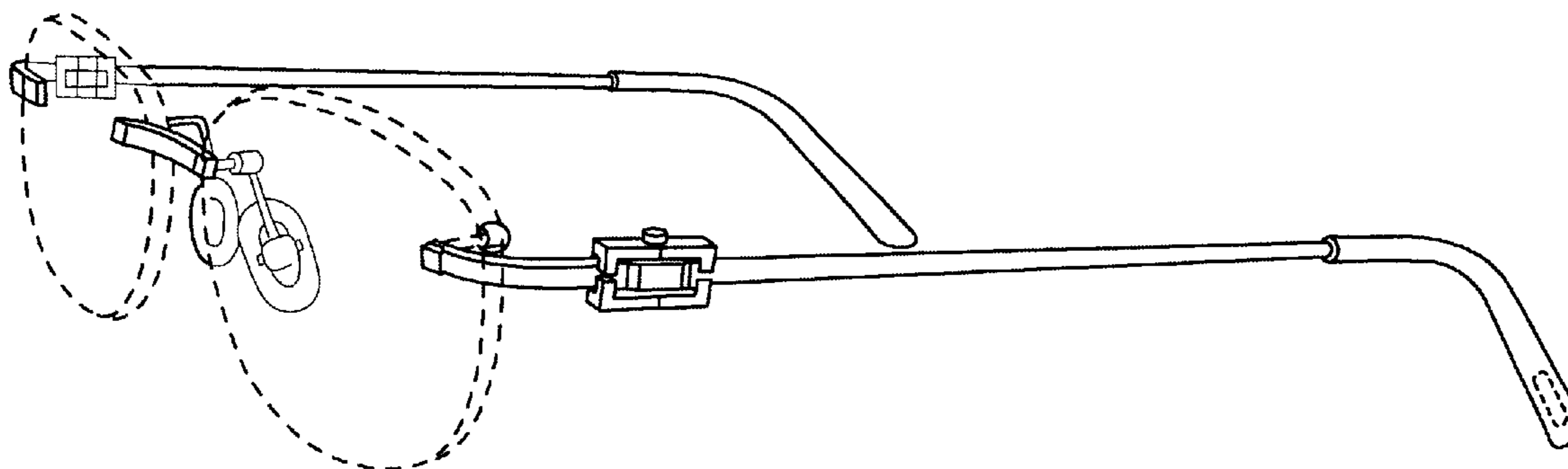


FIG. 1

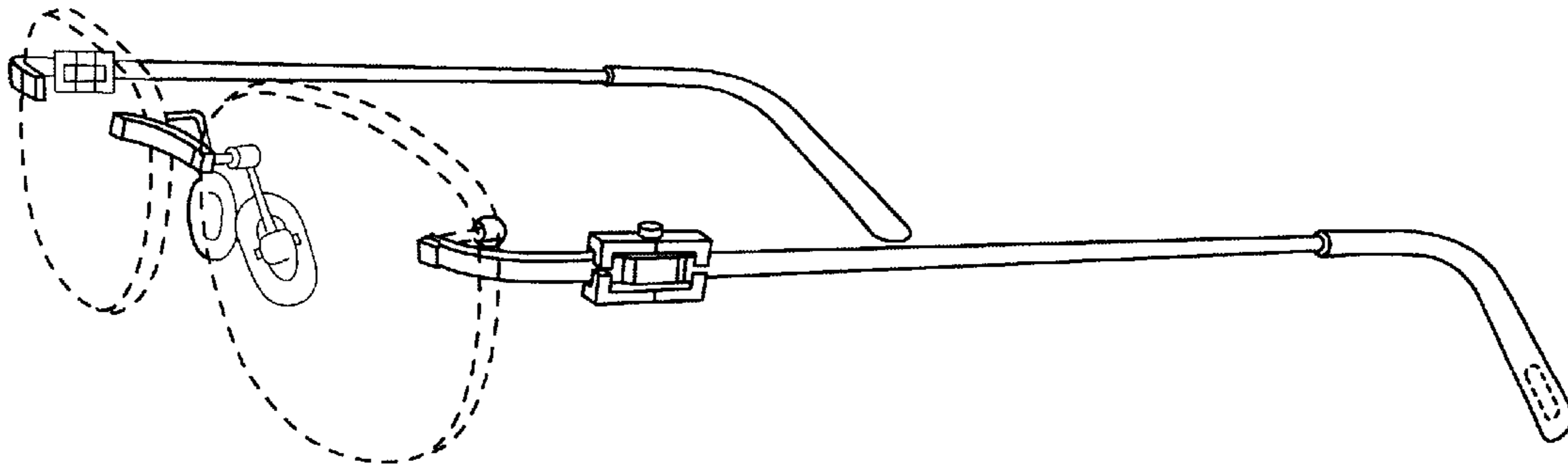


FIG. 2

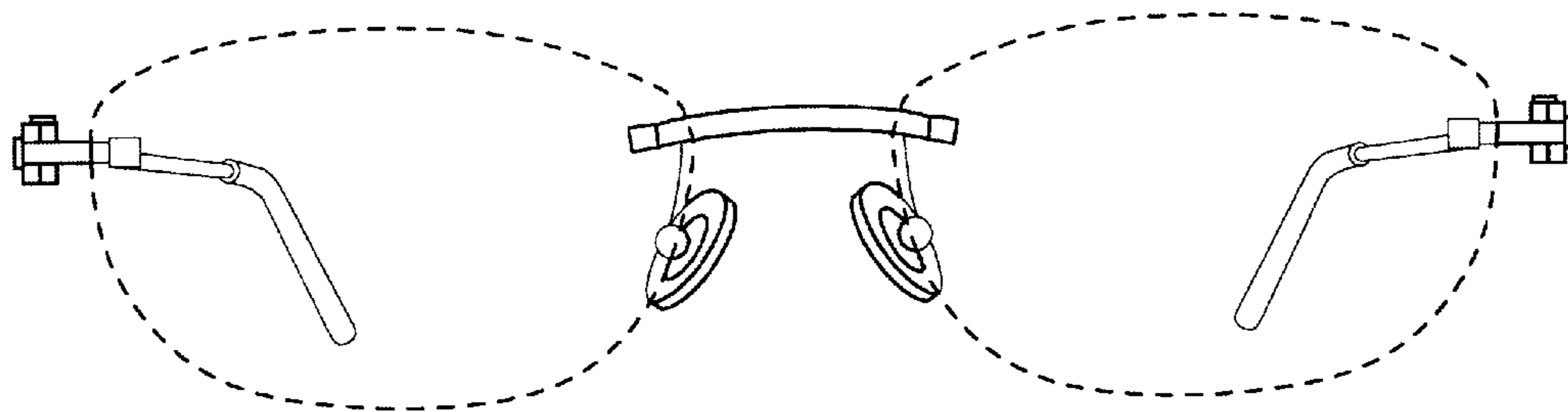


FIG. 3

