



US00D540367S

(12) **United States Design Patent**
Dittmer

(10) **Patent No.:** **US D540,367 S**

(45) **Date of Patent:** **** Apr. 10, 2007**

(54) **UNIVERSAL PROJECTOR MOUNT**

(75) Inventor: **Jay Dittmer**, Prior Lake, MN (US)

(73) Assignee: **CSAV, Inc.**, Wellesley, MA (US)

(**) Term: **14 Years**

(21) Appl. No.: **29/221,884**

(22) Filed: **Jan. 21, 2005**

(51) **LOC (8) Cl.** **16-02**

(52) **U.S. Cl.** **D16/235; D16/242**

(58) **Field of Classification Search** D8/355;
D16/235, 236, 242, 245; 248/188.5, 221.11,
248/519, 523, 527, 917; 352/243; 396/419,
396/428

See application file for complete search history.

(56) **References Cited**

U.S. PATENT DOCUMENTS

4,657,267	A	*	4/1987	Jaumann et al.	352/243
4,964,606	A		10/1990	Beam et al.		
4,993,676	A		2/1991	Fitts et al.		
5,009,384	A		4/1991	Gerke et al.		
5,383,641	A		1/1995	Bergetz		
5,490,655	A		2/1996	Bates		
5,551,658	A		9/1996	Dittmer		
5,621,846	A		4/1997	Smith et al.		
5,730,410	A		3/1998	Archambault et al.		
5,938,161	A		8/1999	Takeuchi et al.		
5,946,404	A		8/1999	Bakshi et al.		
6,019,524	A	*	2/2000	Arbuckle	396/427
6,042,068	A		3/2000	Tcherny		

6,527,238	B2		3/2003	Shental et al.		
6,708,940	B2		3/2004	Ligertwood		
D500,754	S	*	1/2005	Dierkes	D14/238
D504,305	S	*	4/2005	Gillespie et al.	D8/355
D514,612	S	*	2/2006	Boele	D16/235
7,046,264	B2	*	5/2006	Moriyasu et al.	248/917

OTHER PUBLICATIONS

Chief Manufacturing Inc., Full-Line Product Guide 2003, Presentation Support Solutions, Jan. 2003, 10 pages.

* cited by examiner

Primary Examiner—Adir Aronovich

(74) *Attorney, Agent, or Firm*—Patterson, Thuente, Skaar & Christensen, P.A.

(57) **CLAIM**

The ornamental design for a universal projector mount, as shown and described.

DESCRIPTION

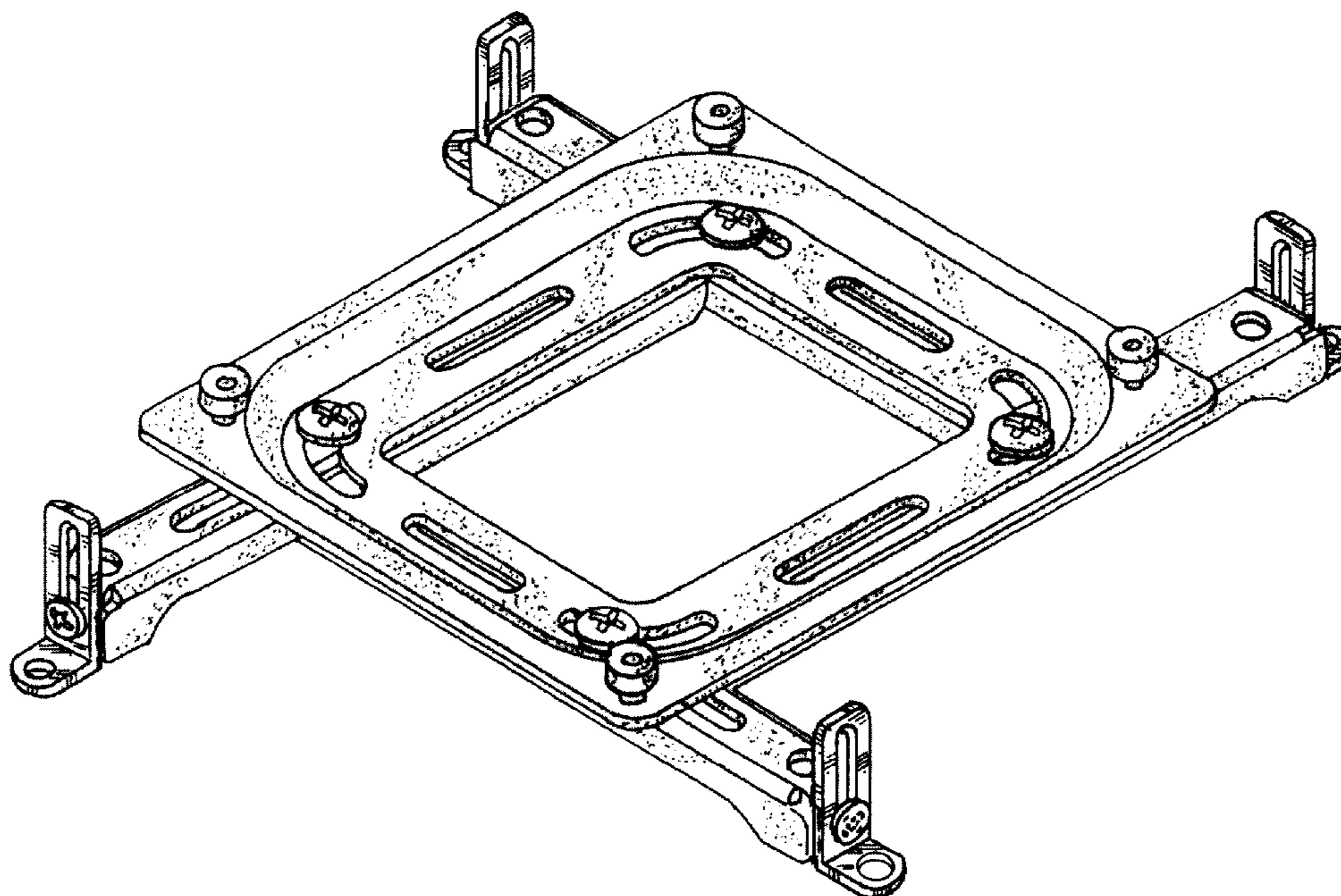
FIG. 1 is a perspective view of a universal projector mount according to my invention with the attachment arms in a retracted position;

FIG. 2 is a perspective view of the universal projector mount with the attachment arms in an extended position;

FIG. 3 is a side elevational view of the universal projector mount; and,

FIG. 4 is an adjacent elevational side view of the universal projector mount of FIG. 3, the broken line showing of a known projector mount device is included for illustration only and forms no part of the claimed design.

1 Claim, 3 Drawing Sheets



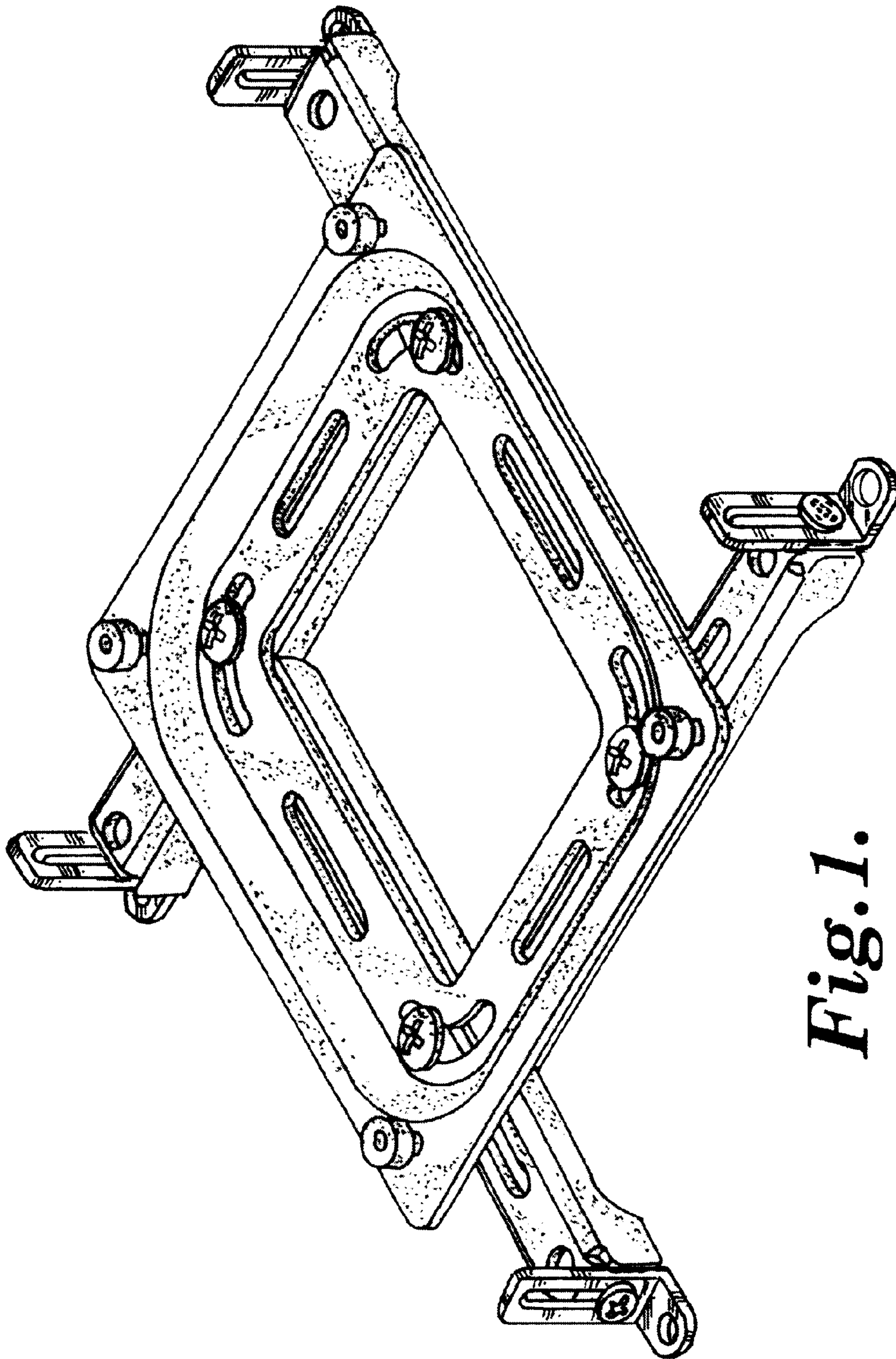


Fig. 1.

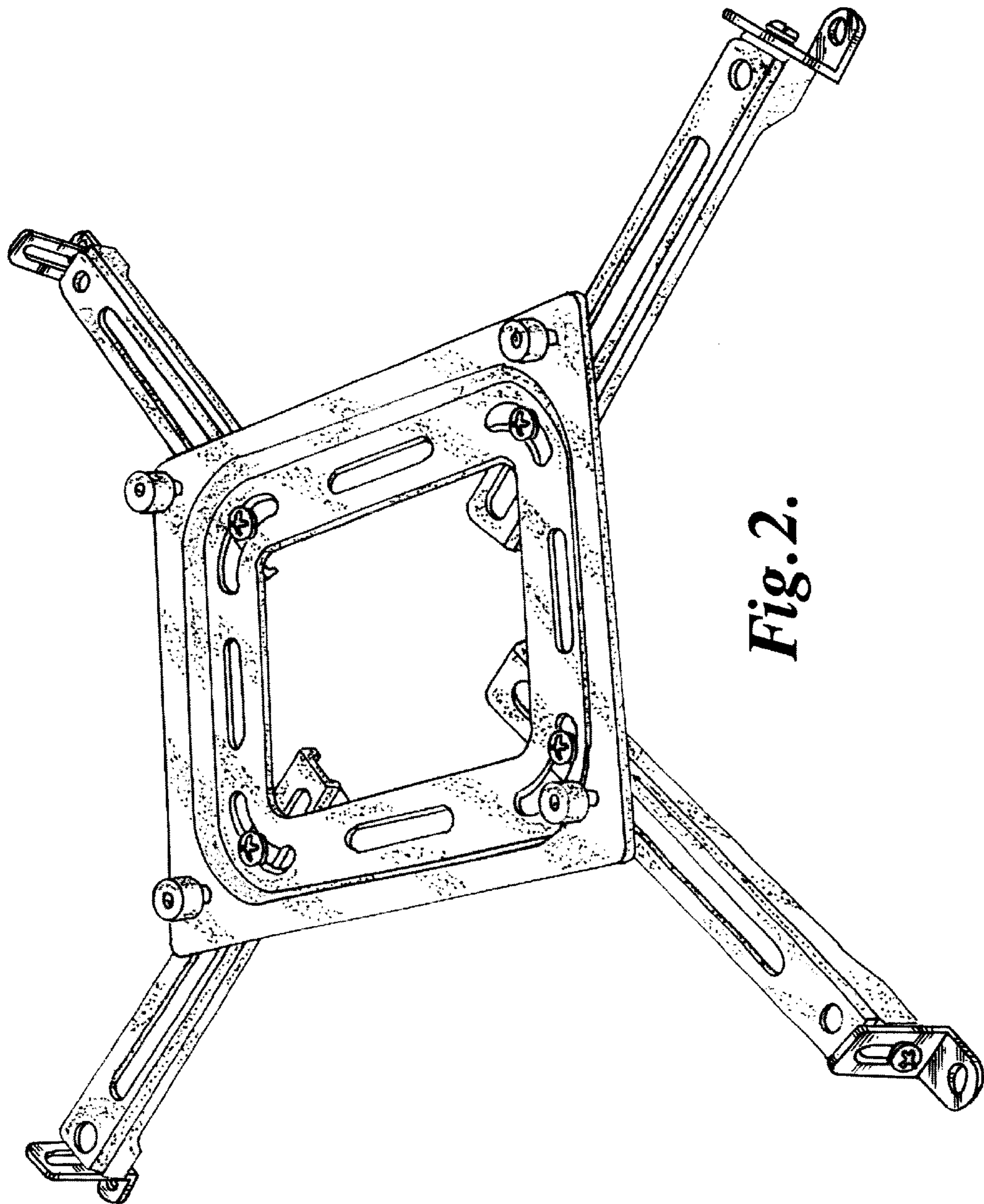


Fig. 2.

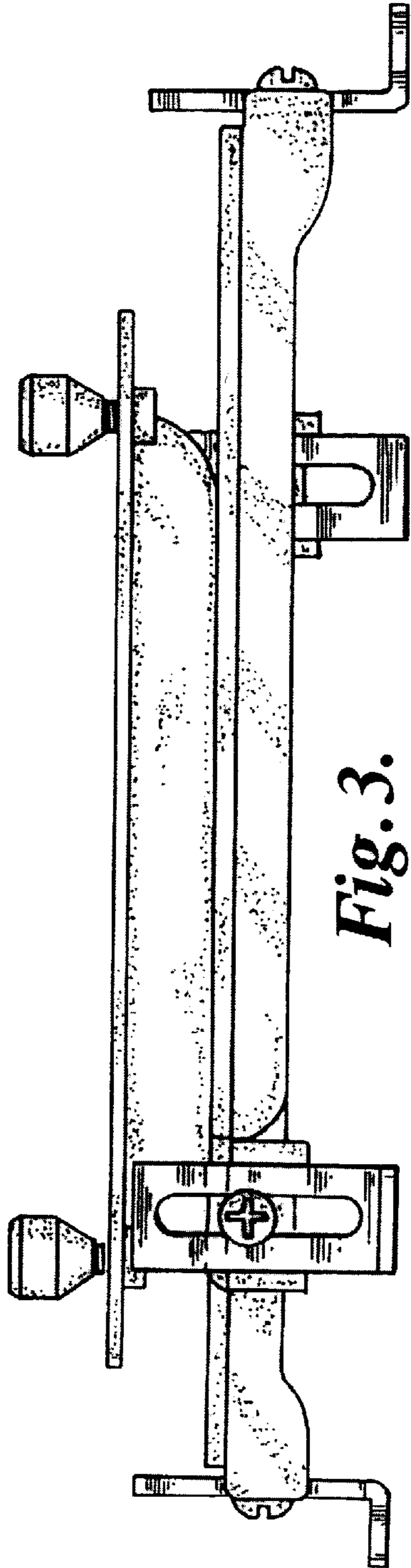


Fig. 3.

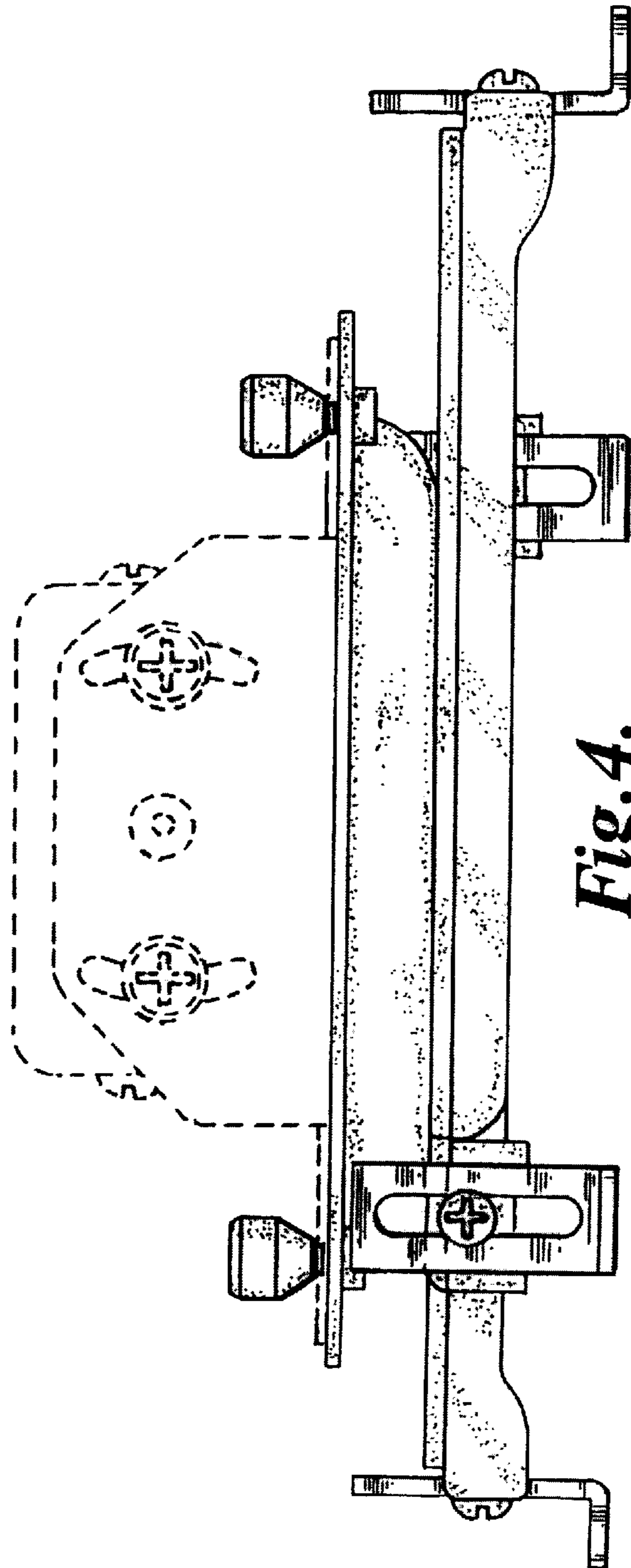


Fig. 4.