



US00D540366S

(12) **United States Design Patent**
Naito

(10) **Patent No.:** **US D540,366 S**

(45) **Date of Patent:** **** Apr. 10, 2007**

(54) **DIGITAL CAMERA**

(75) Inventor: **Yoshitaka Naito**, Ome (JP)

(73) Assignee: **Olympus Corporation**, Tokyo (JP)

(**) Term: **14 Years**

(21) Appl. No.: **29/256,317**

(22) Filed: **Mar. 17, 2006**

Related U.S. Application Data

(62) Division of application No. 29/215,047, filed on Jun. 29, 2004, now Pat. No. Des. 529,530.

(51) **LOC (8) Cl.** **16-05**

(52) **U.S. Cl.** **D16/219**

(58) **Field of Classification Search** D16/200–205,
D16/208, 218, 219; 348/373–376; 358/909.1;
396/535–541

See application file for complete search history.

(56) **References Cited**

U.S. PATENT DOCUMENTS

4,456,931 A * 6/1984 Toyoda et al. 358/906

D349,110 S * 7/1994 Ohno D16/202
D387,078 S * 12/1997 Akita D16/202
D463,810 S * 10/2002 Suzuki et al. D16/202
D496,674 S * 9/2004 Hayashi D16/202

* cited by examiner

Primary Examiner—Adir Aronovich

(74) *Attorney, Agent, or Firm*—Hogan & Hartson LLP

(57) **CLAIM**

The ornamental design for a digital camera, as shown and described.

DESCRIPTION

FIG. 1 is a top, rear perspective view of a digital camera showing my new design;

FIG. 2 is a front elevational view thereof;

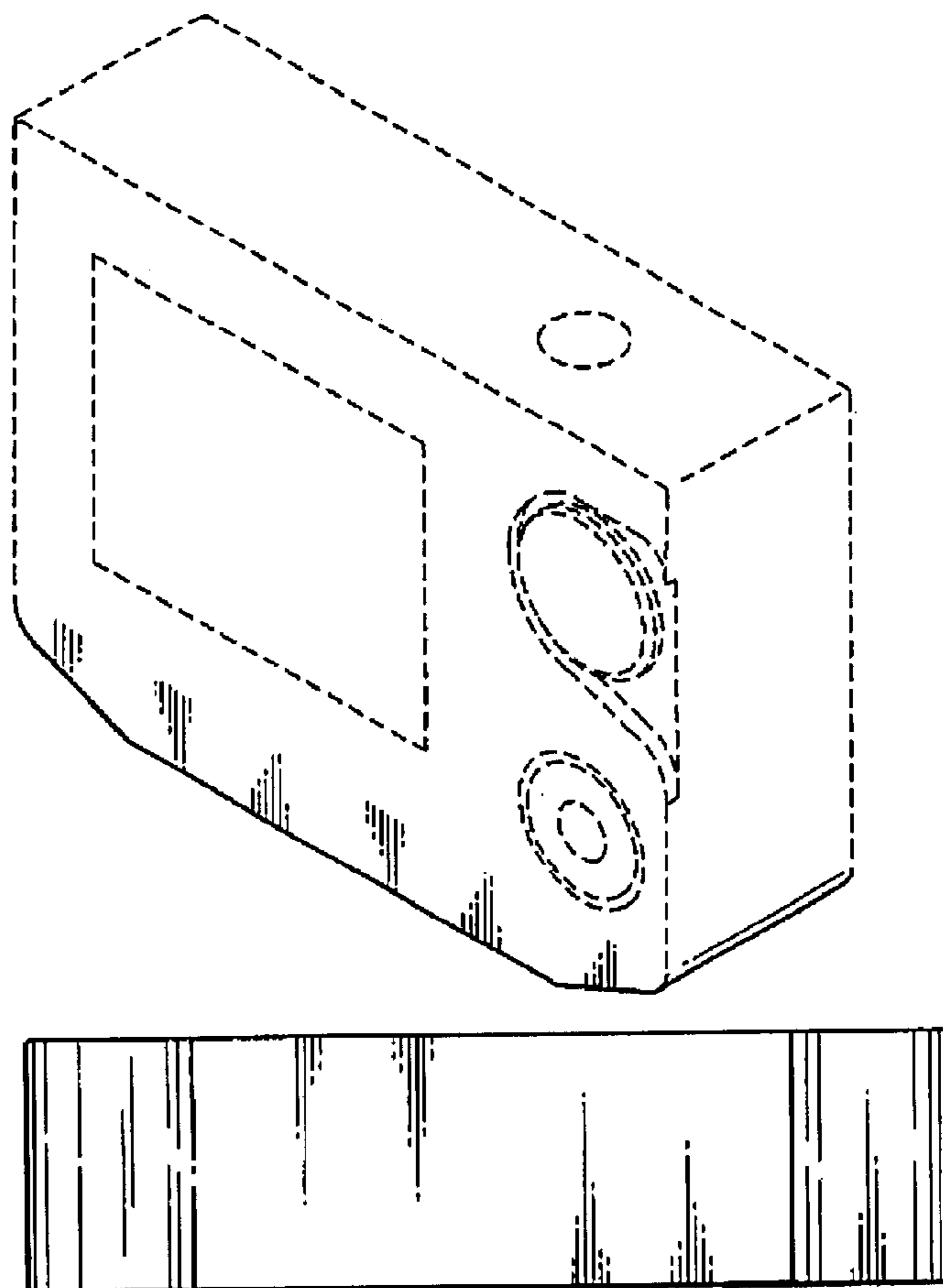
FIG. 3 is a rear elevational view thereof;

FIG. 4 is a bottom plan view thereof; and,

FIG. 5 is a left side elevational view thereof.

The portions of the camera in broken lines are shown for illustrative purposes only and form no part of the claimed design.

1 Claim, 2 Drawing Sheets



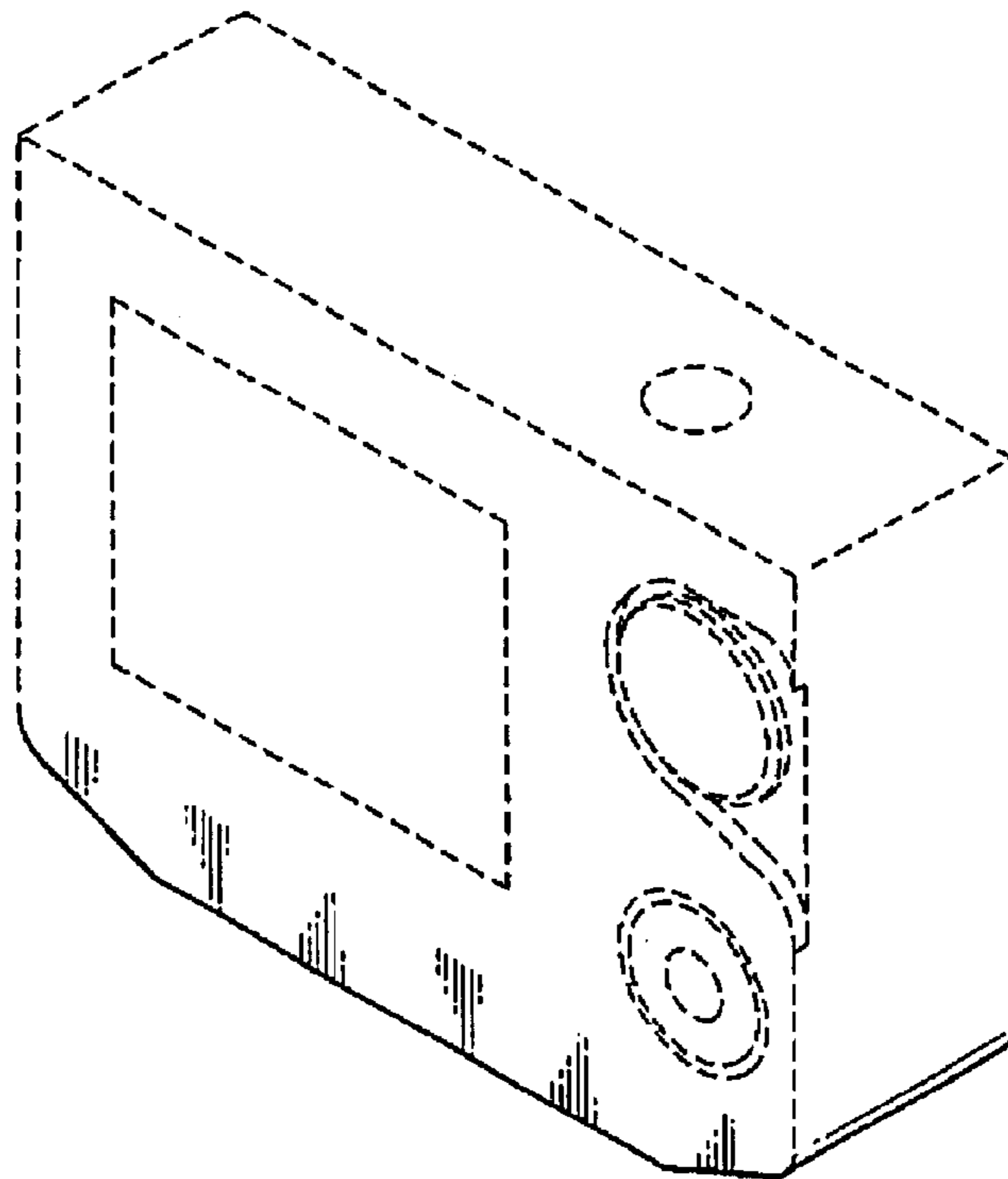


FIG. 1

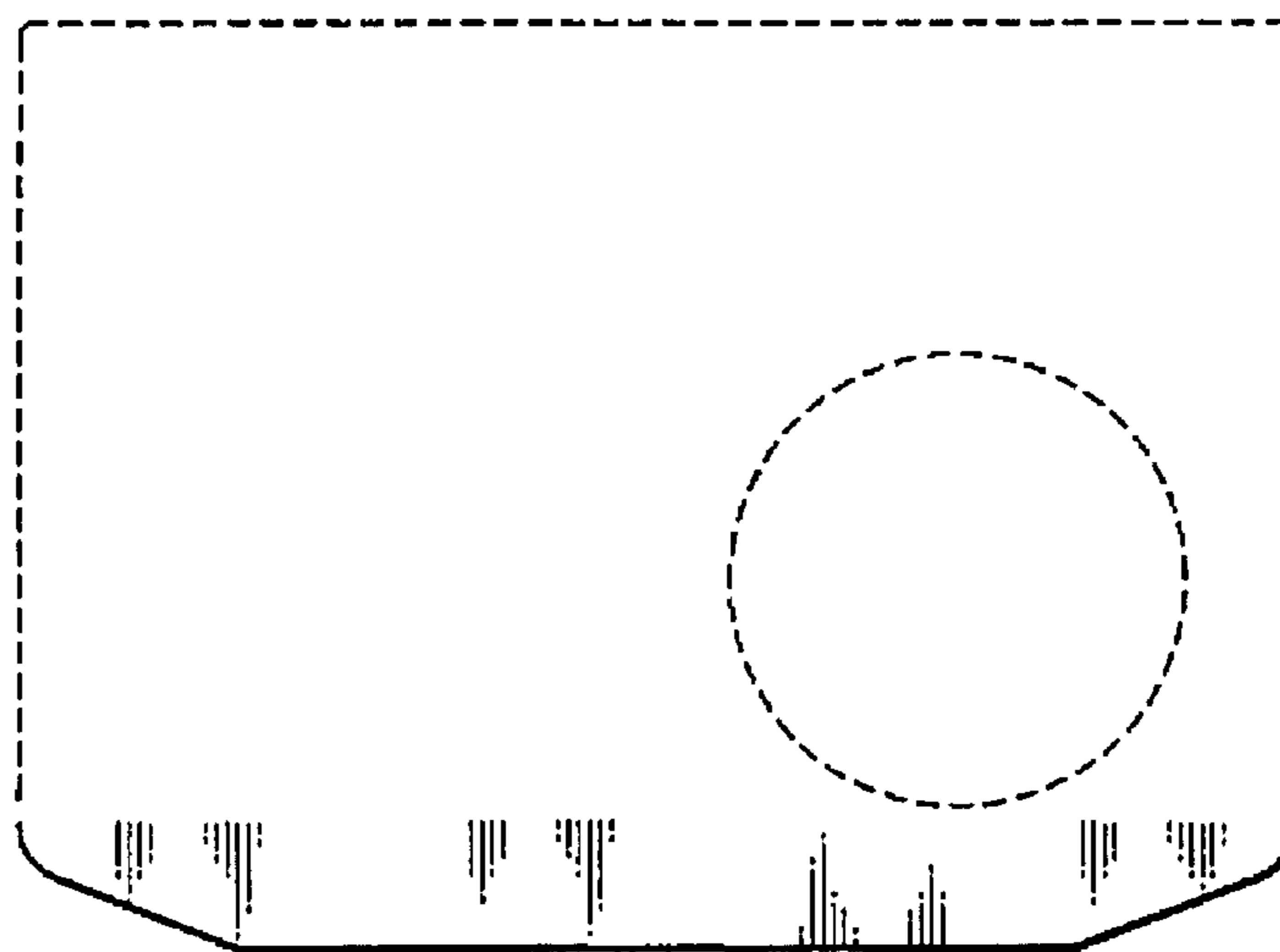


FIG. 2

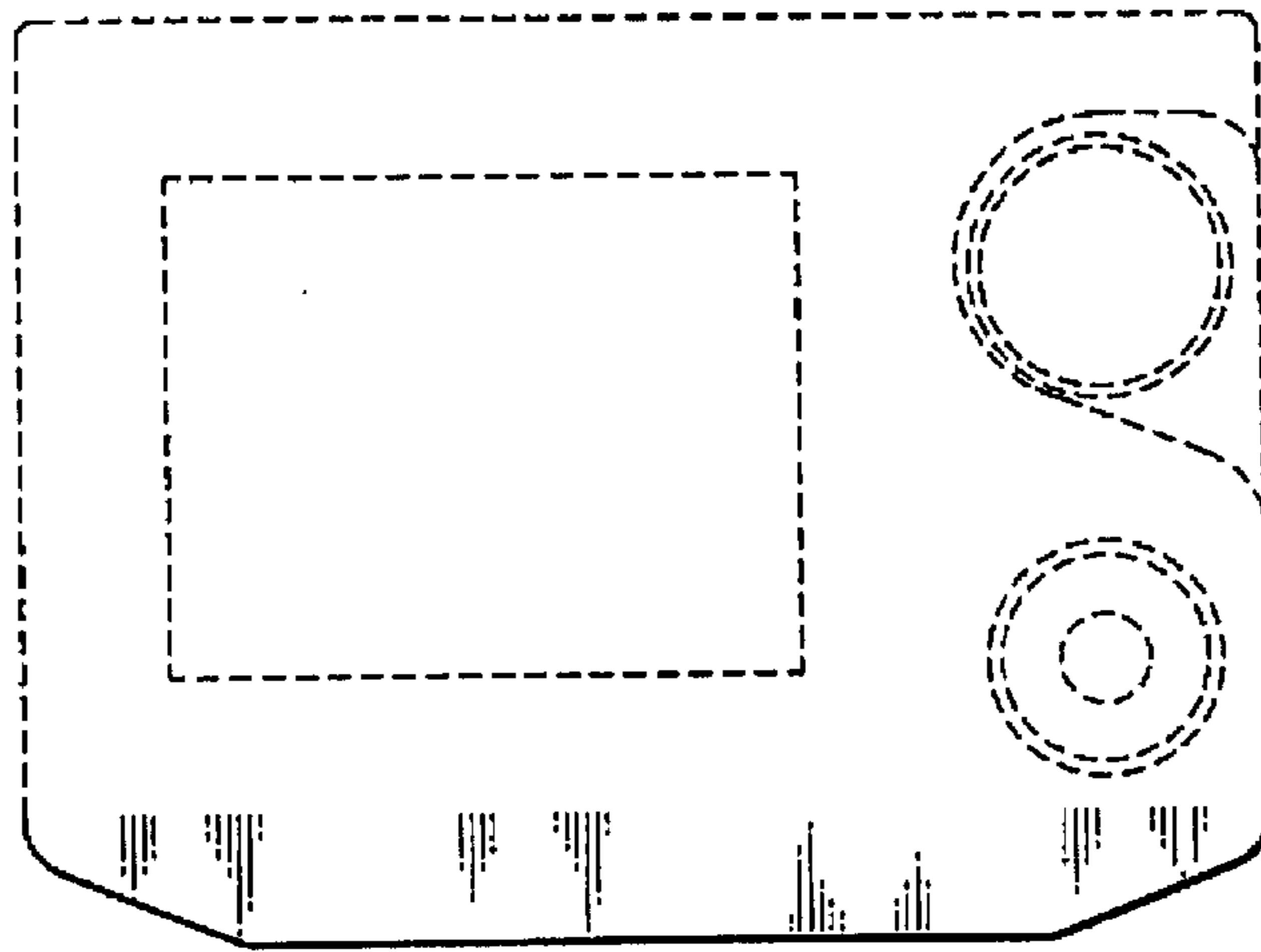


FIG. 3

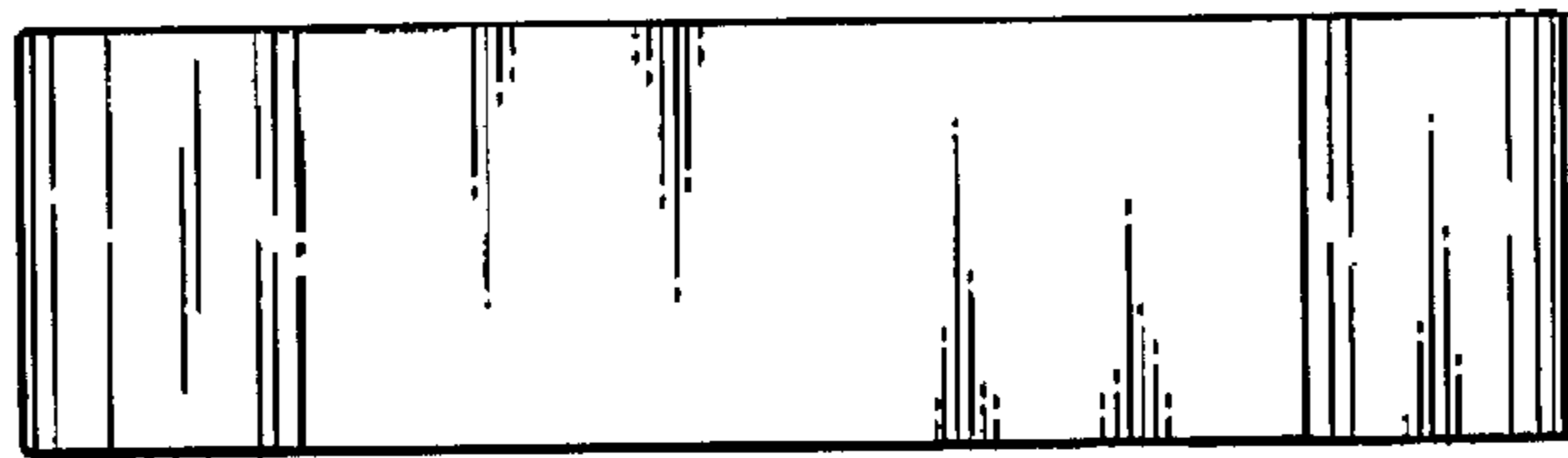


FIG. 4

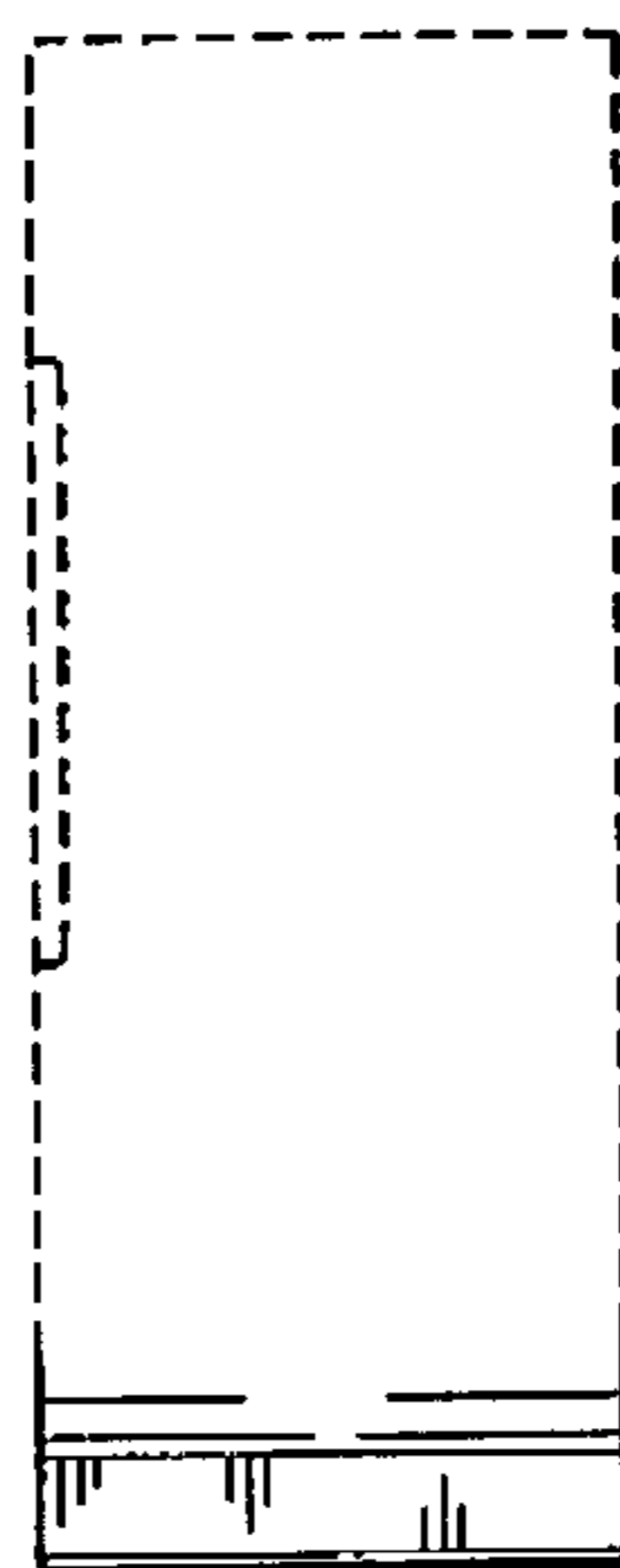


FIG. 5