



US00D540365S

(12) **United States Design Patent**
Sakai

(10) **Patent No.:** **US D540,365 S**

(45) **Date of Patent:** **** Apr. 10, 2007**

(54) **ELECTRONIC CAMERA**

(75) Inventor: **Masayuki Sakai**, Tokyo (JP)

(73) Assignee: **Fuji Photo Film Co., Ltd.**, Kanagawa (JP)

(**) Term: **14 Years**

(21) Appl. No.: **29/236,684**

(22) Filed: **Aug. 22, 2005**

(30) **Foreign Application Priority Data**

Feb. 21, 2005 (JP) 2005-004564

(51) **LOC (8) Cl.** **16-05**

(52) **U.S. Cl.** **D16/219; D16/202**

(58) **Field of Classification Search** D16/200–205,
D16/208, 209, 218, 219; 348/373–376; 358/909.1;
396/535–541

See application file for complete search history.

(56) **References Cited**

U.S. PATENT DOCUMENTS

D437,869 S *	2/2001	Nakanishi et al.	D16/219
D440,590 S *	4/2001	Yoshida	D16/209
D473,886 S	4/2003	Katayama	D16/202
6,553,188 B2 *	4/2003	Tanaka	396/535
D475,074 S *	5/2003	Shiotani	D16/209

D487,766 S *	3/2004	Tanaka	D16/219
D503,184 S *	3/2005	Horikiri	D16/219
D522,560 S *	6/2006	Inaba	D16/219

* cited by examiner

Primary Examiner—Adir Aronovich

(74) *Attorney, Agent, or Firm*—Young & Thompson

(57) **CLAIM**

The ornamental design for an electronic camera, as shown and described.

DESCRIPTION

FIG. 1 is a top, front and side perspective view of an electronic camera showing my new design;

FIG. 2 is a front elevational view thereof;

FIG. 3 is a top plan view thereof;

FIG. 4 is a bottom plan view thereof;

FIG. 5 is a side elevational view thereof from the left of FIG. 2;

FIG. 6 is a side elevational view thereof from the right of FIG. 2; and,

FIG. 7 is a view similar to FIG. 1 but showing the lens in a retracted position.

The portions of the camera in broken lines are shown for illustrative purposes only and form no part of the claimed design.

1 Claim, 4 Drawing Sheets

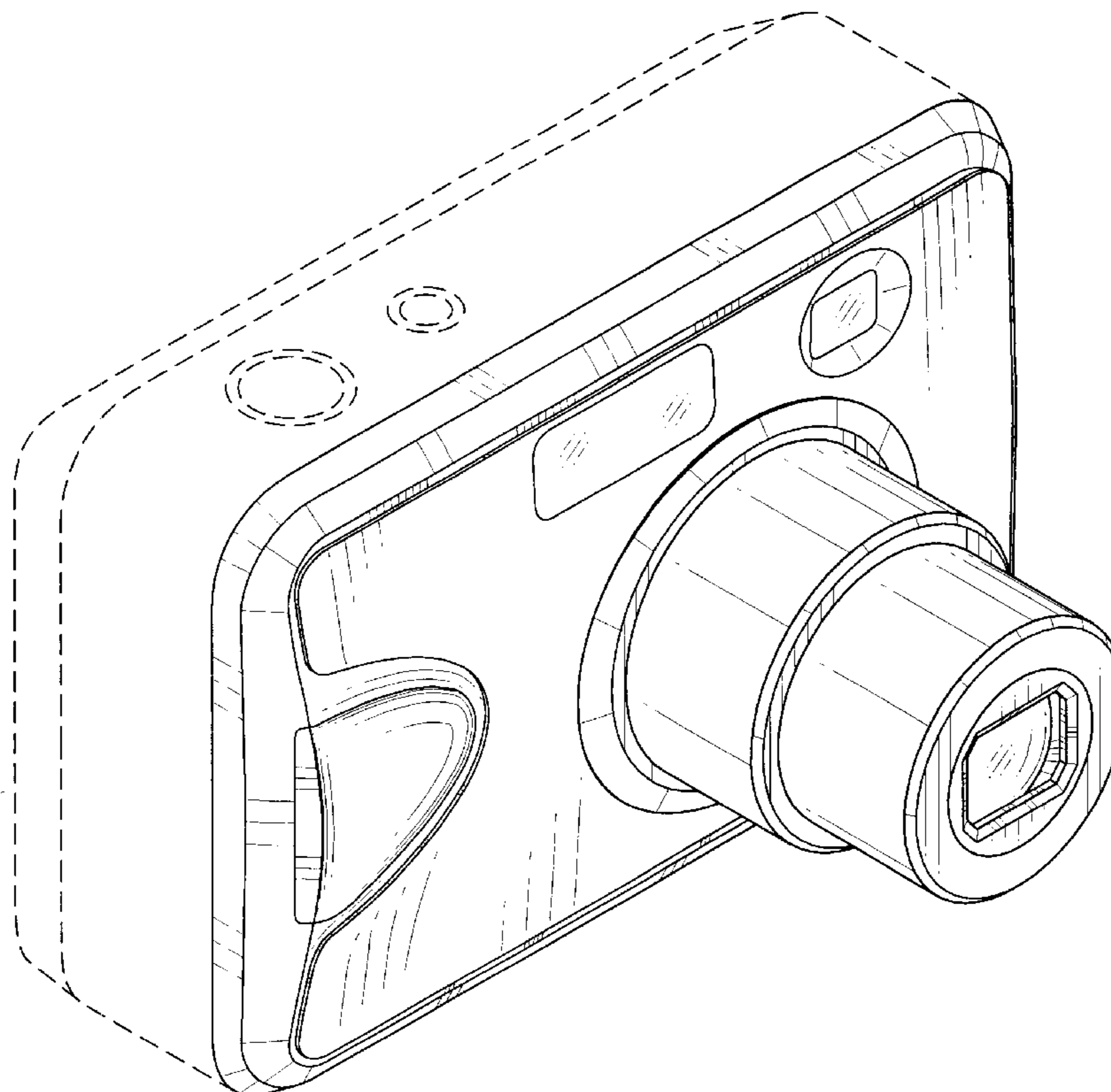


FIG.1

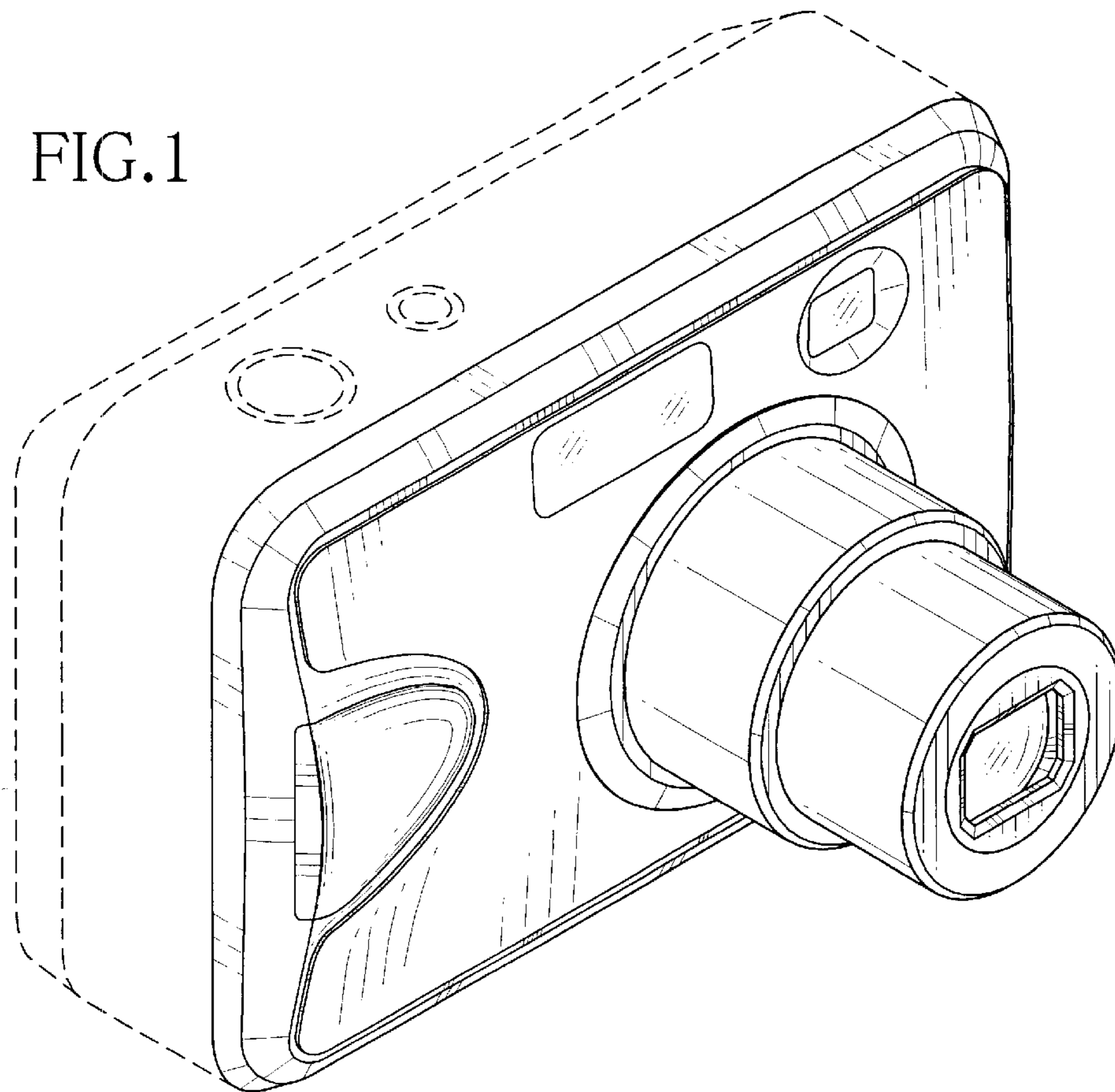


FIG.2

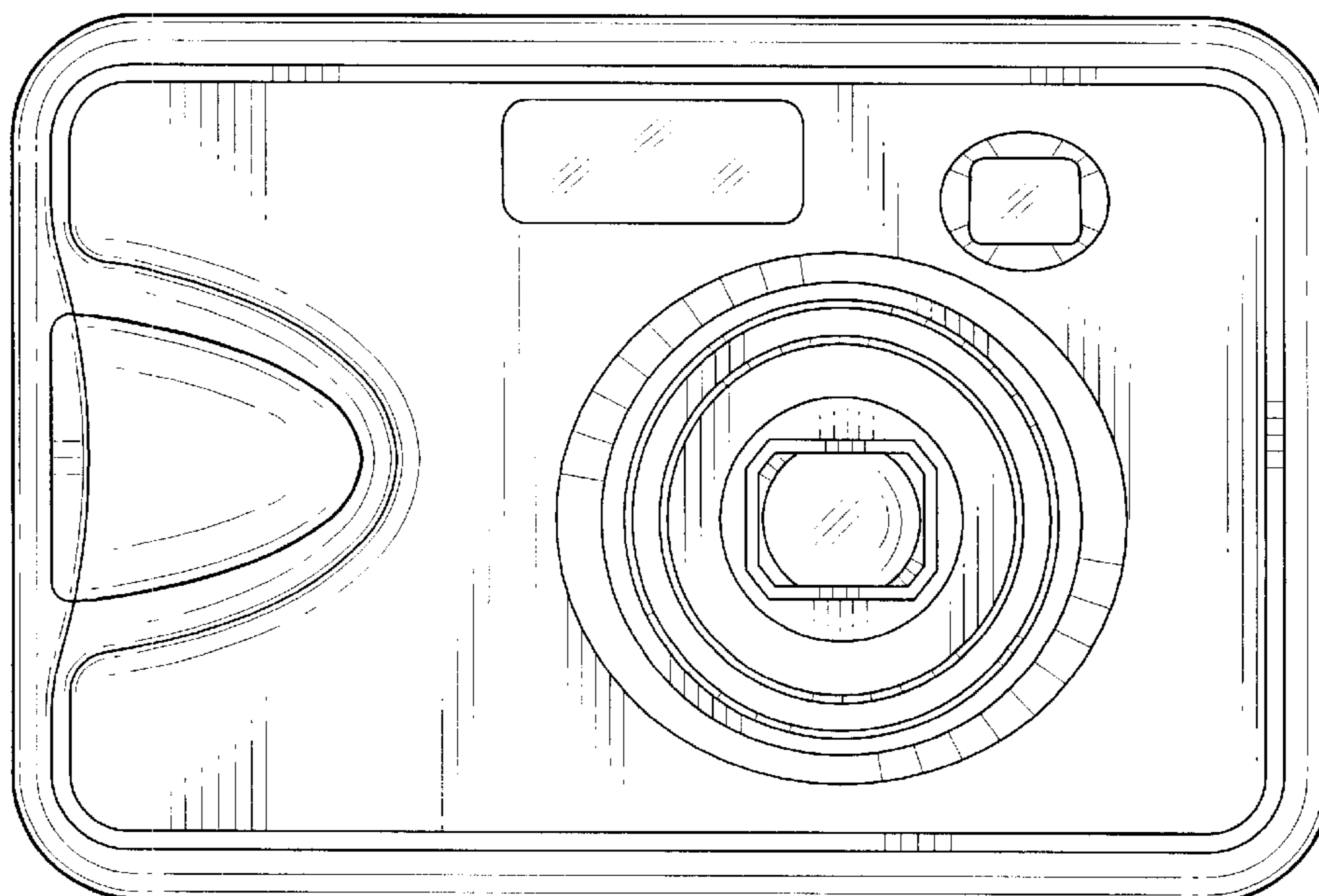


FIG.3

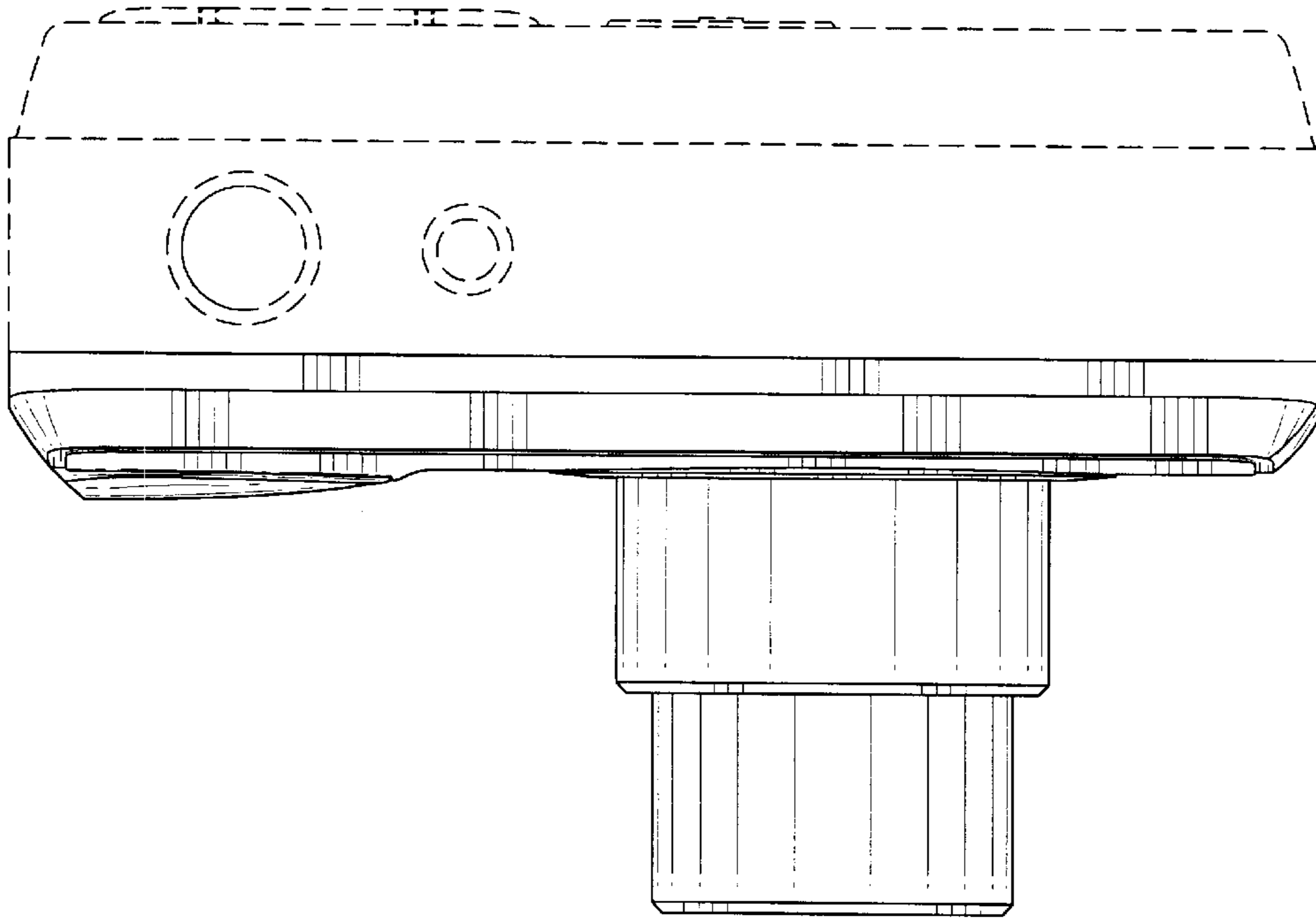


FIG.4

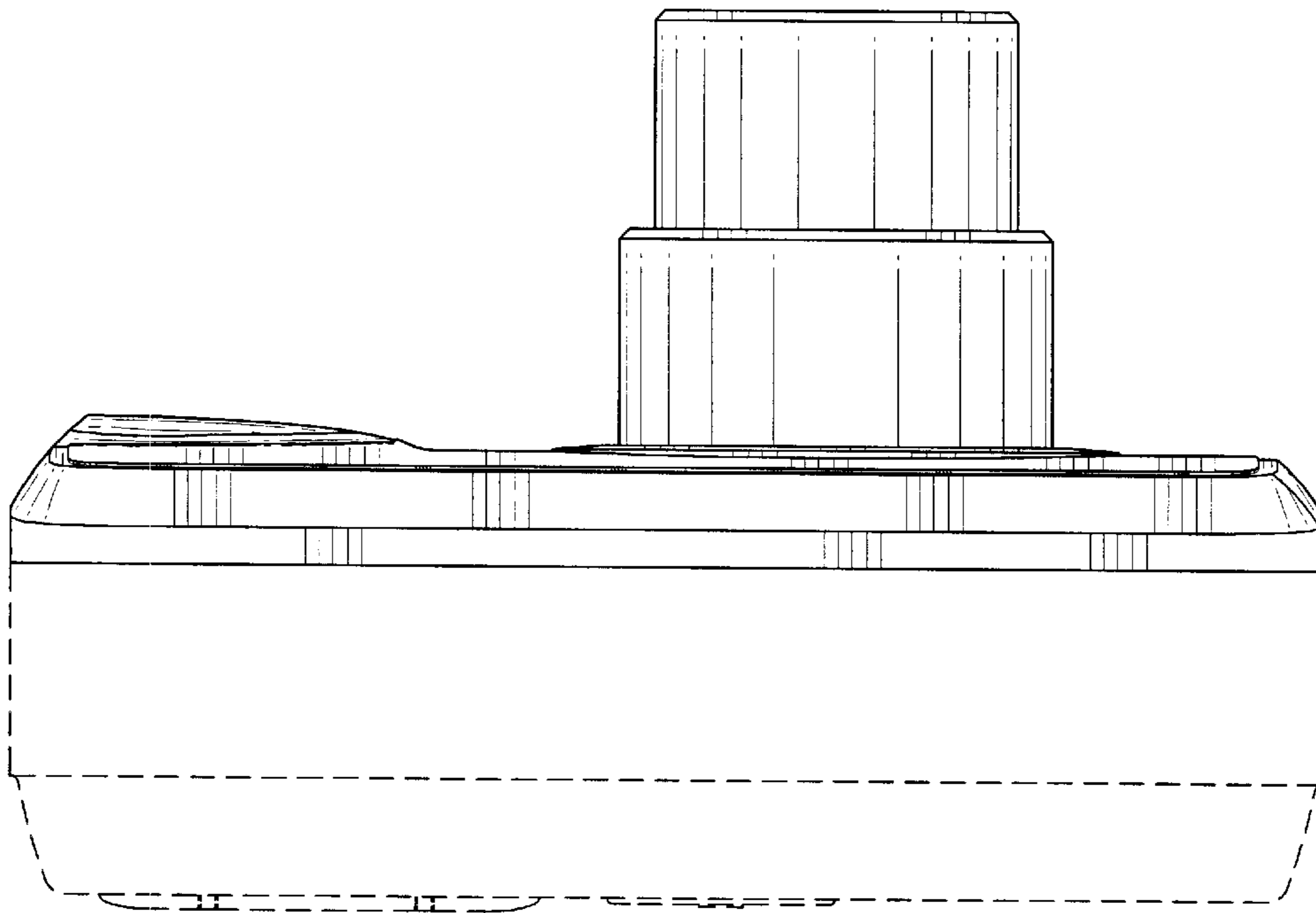


FIG.5

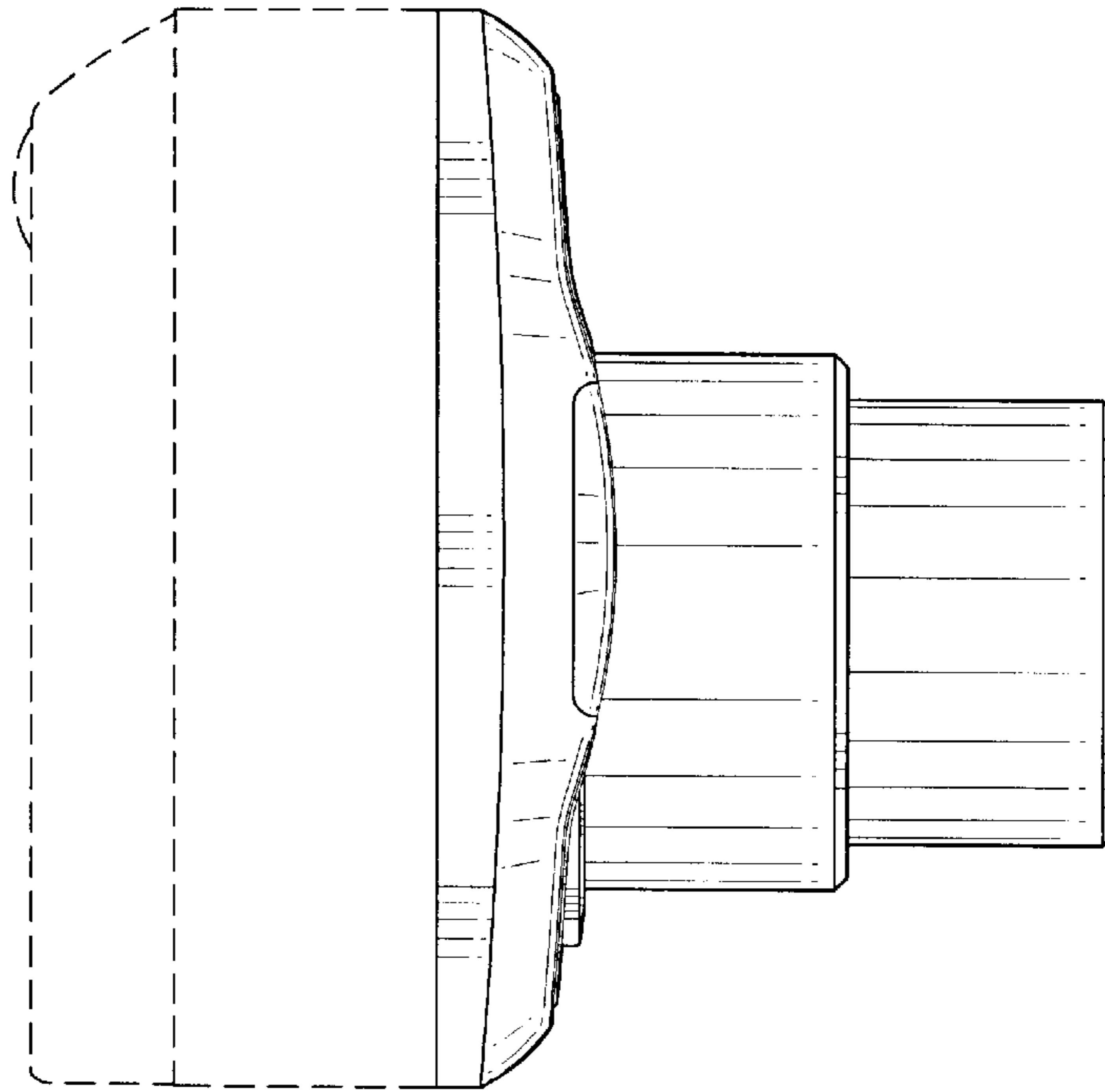


FIG.6

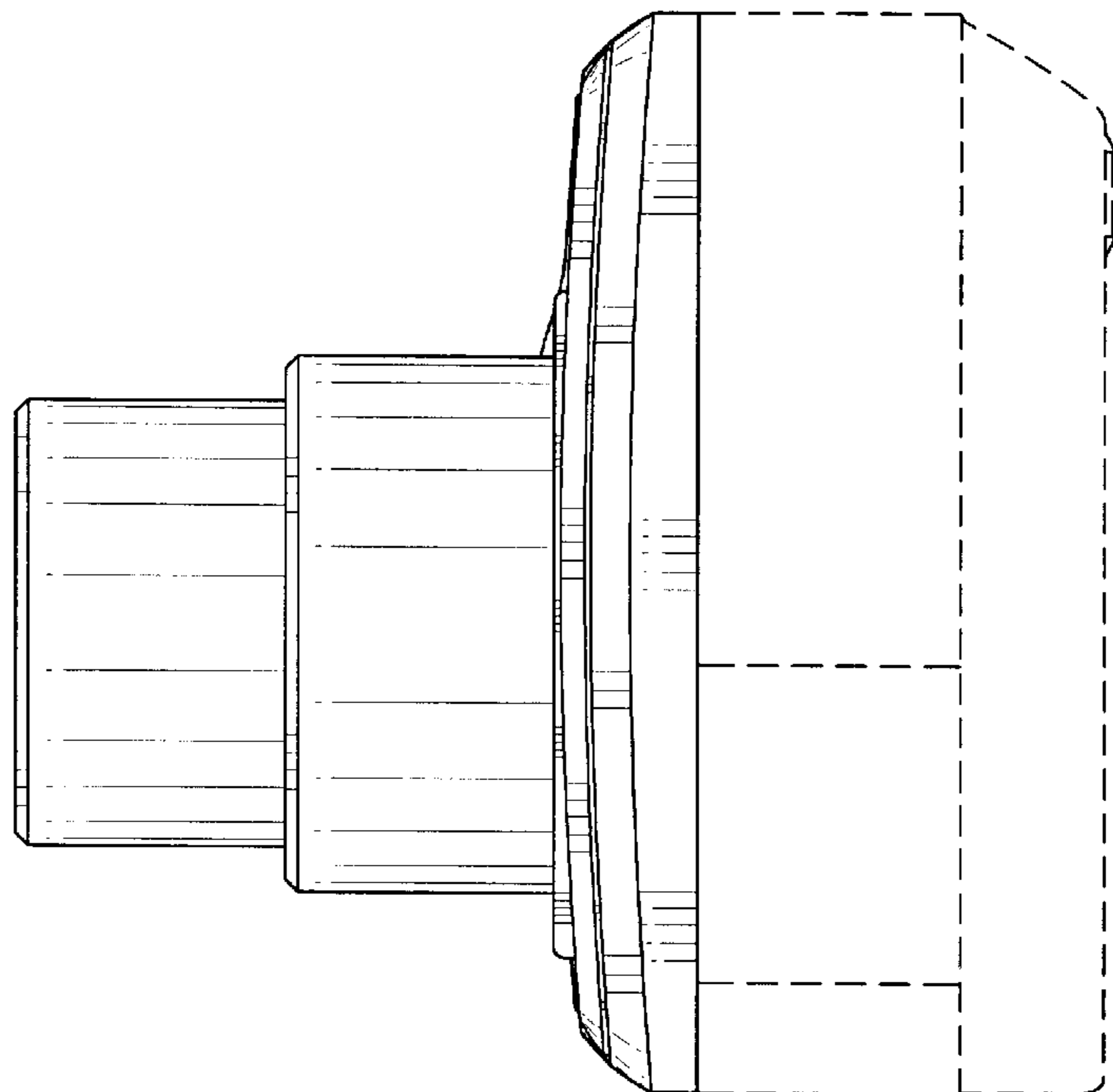


FIG. 7

