



US00D540364S

(12) **United States Design Patent**  
**Ishii**

(10) **Patent No.:** **US D540,364 S**

(45) **Date of Patent:** **\*\* Apr. 10, 2007**

(54) **CAMERA HOUSING**

(75) Inventor: **Daisuke Ishii**, Tokyo (JP)

(73) Assignee: **Sony Corporation**, Tokyo (JP)

(\*\*) Term: **14 Years**

(21) Appl. No.: **29/236,351**

(22) Filed: **Aug. 16, 2005**

(30) **Foreign Application Priority Data**

Feb. 16, 2005 (JP) ..... D2005-003972

(51) **LOC (8) Cl.** ..... **16-01**

(52) **U.S. Cl.** ..... **D16/219; D16/200**

(58) **Field of Classification Search** ..... D16/200–205,  
D16/208, 218, 219; 348/373–376; 358/909.1;  
396/6, 535, 536–541

See application file for complete search history.

(56) **References Cited**

**U.S. PATENT DOCUMENTS**

D450,073 S	11/2001	Sumita	
D450,735 S	* 11/2001	Teng et al.	D16/202
D453,177 S	1/2002	Uehara	
D466,539 S	* 12/2002	Suzuki et al.	D16/202
D483,049 S	* 12/2003	Hsieh	D16/202
D492,953 S	* 7/2004	Mitsuse	D16/219
D494,990 S	* 8/2004	Su et al.	D16/202

6,816,672 B2 \* 11/2004 Mikami et al. .... 396/6

D501,496 S \* 2/2005 Sadatsuki ..... D16/218

6,862,406 B2 \* 3/2005 Franco Kai Chung ..... 396/6

D516,601 S \* 3/2006 Ishii ..... D16/202

D521,039 S \* 5/2006 Kurimoto et al. .... D16/202

\* cited by examiner

*Primary Examiner*—Adir Aronovich

(74) *Attorney, Agent, or Firm*—Rader, Fishman & Grauer  
PLLC

(57) **CLAIM**

The ornamental design for a camera housing, as shown and described.

**DESCRIPTION**

FIG. 1 is a perspective view of a camera housing showing my new design;

FIG. 2 is a front elevational view thereof;

FIG. 3 is a left side elevational view thereof;

FIG. 4 is a right side elevational view thereof;

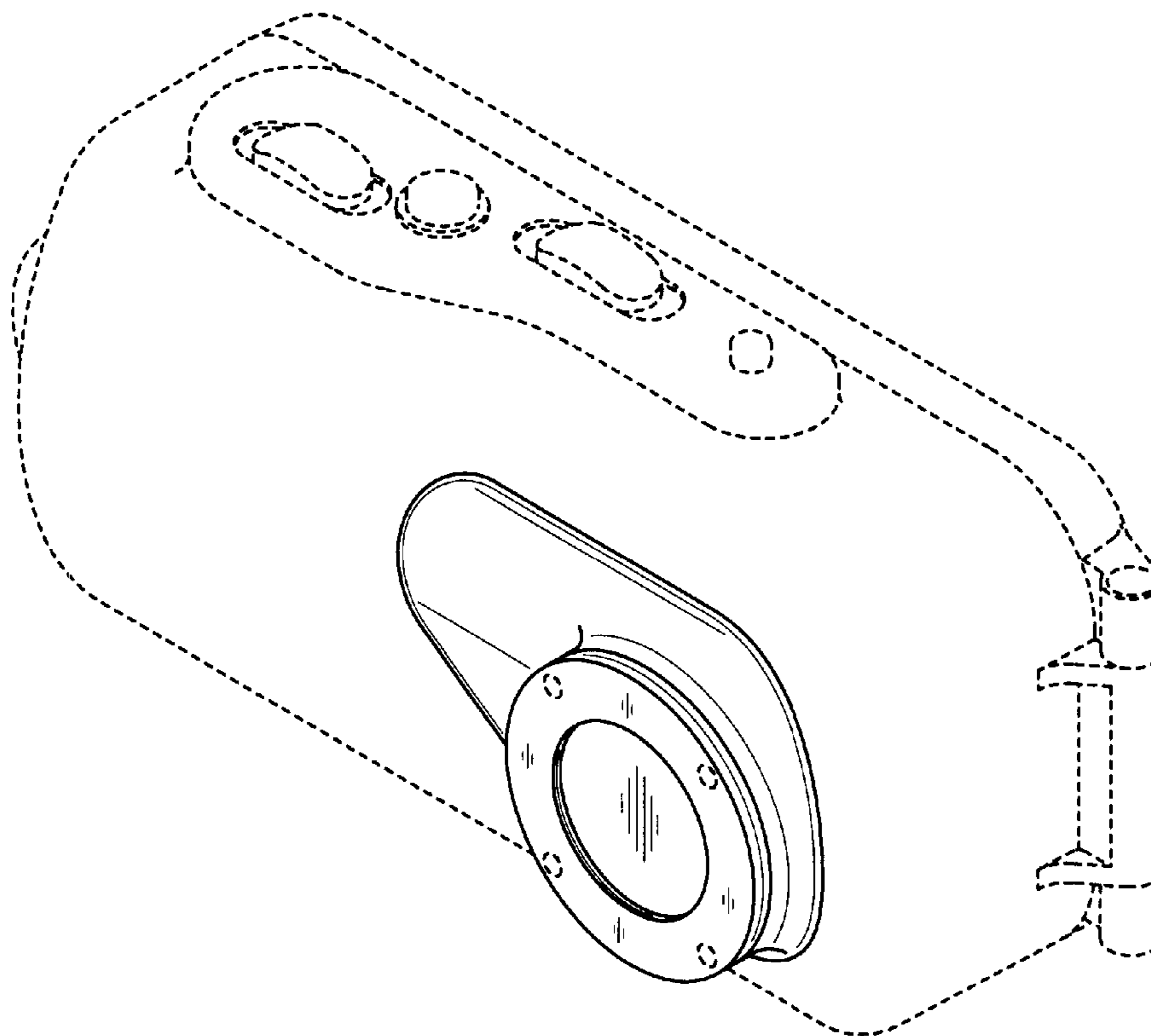
FIG. 5 is a top plan view thereof; and,

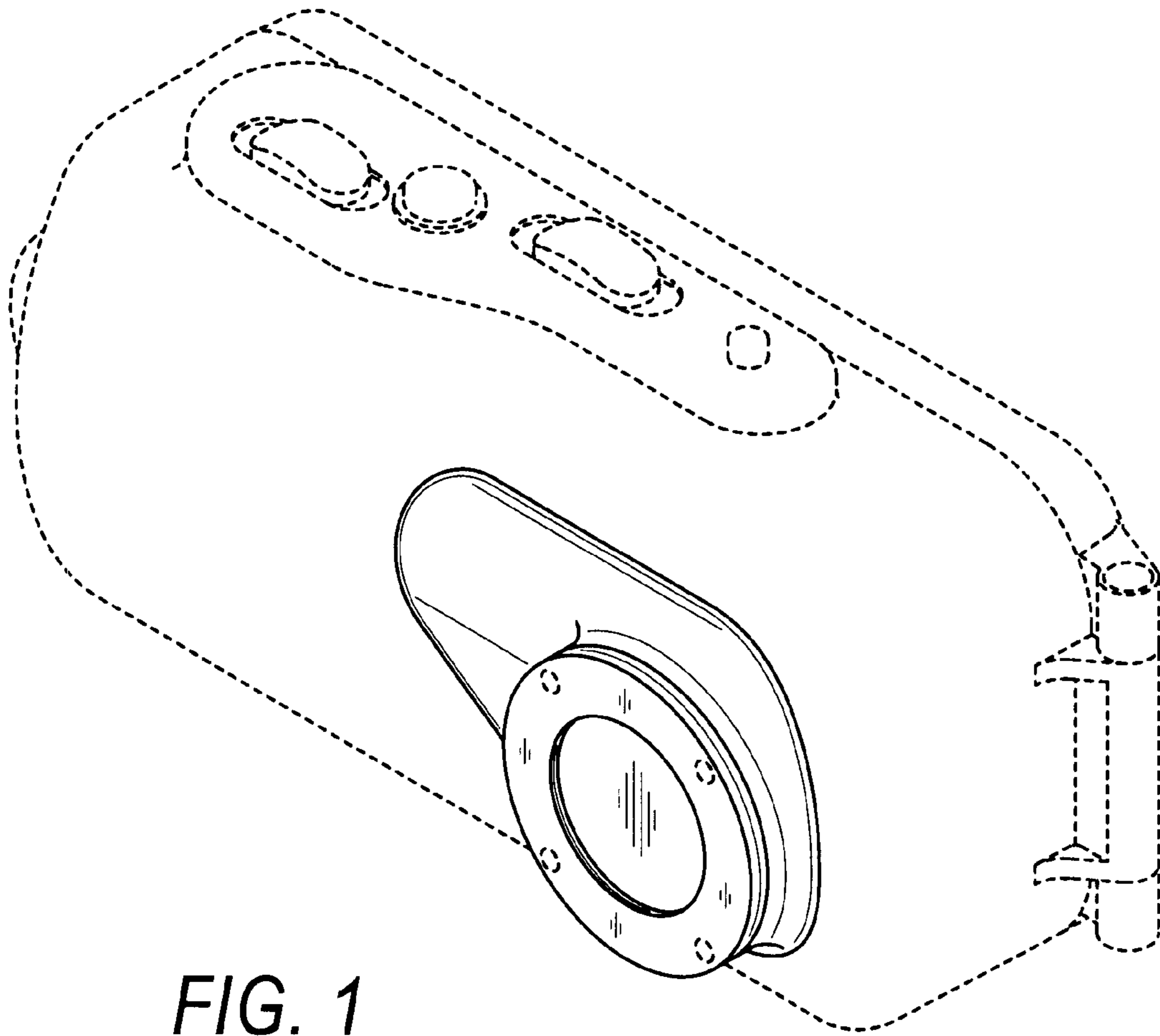
FIG. 6 is a bottom plan view thereof.

The broken lines depicted in FIGS. 1–6 form no part of the claimed design.

The portions of the camera housing in broken lines in FIGS. 1–6 are shown for illustrative purposes only and form no part of the claimed design.

**1 Claim, 6 Drawing Sheets**





*FIG. 1*

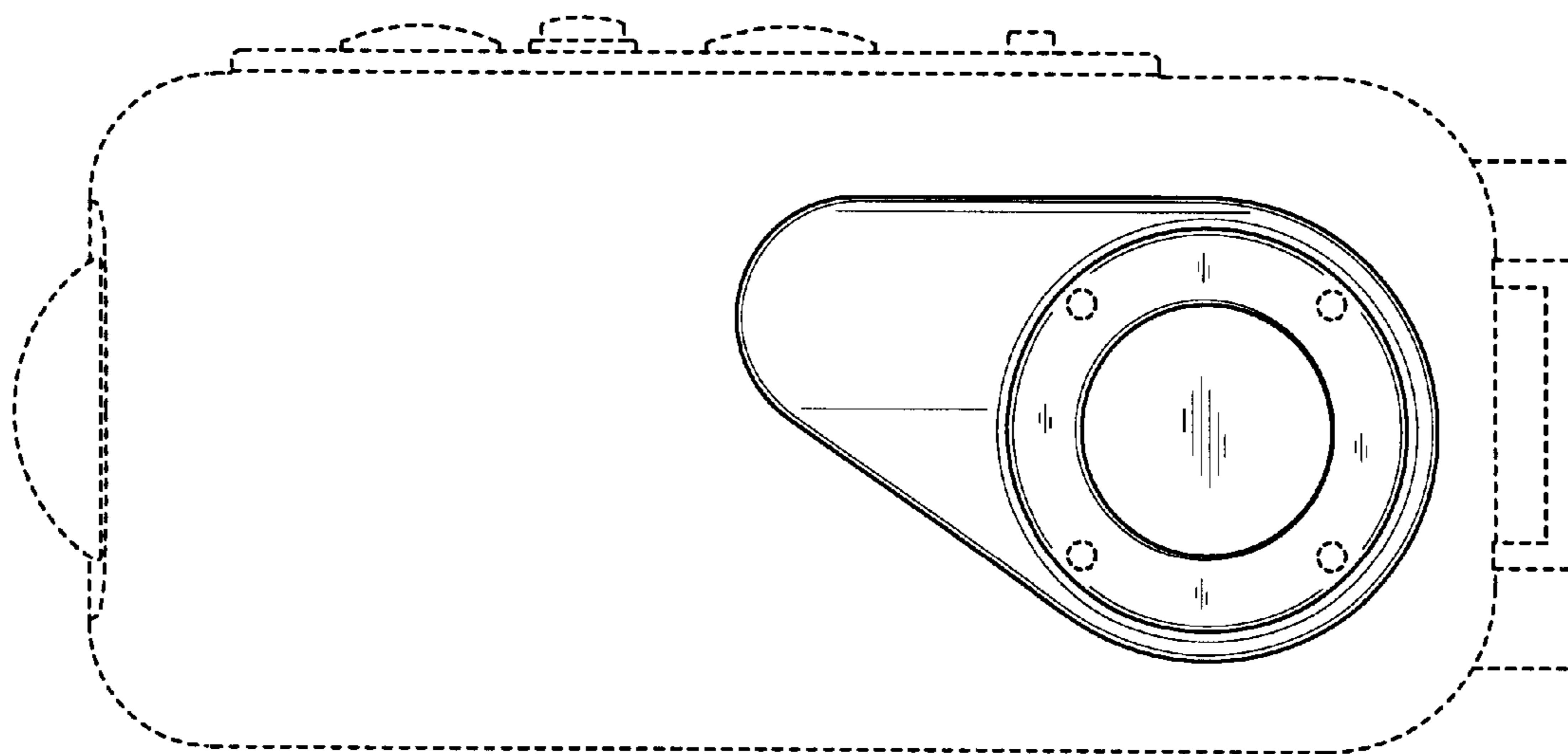
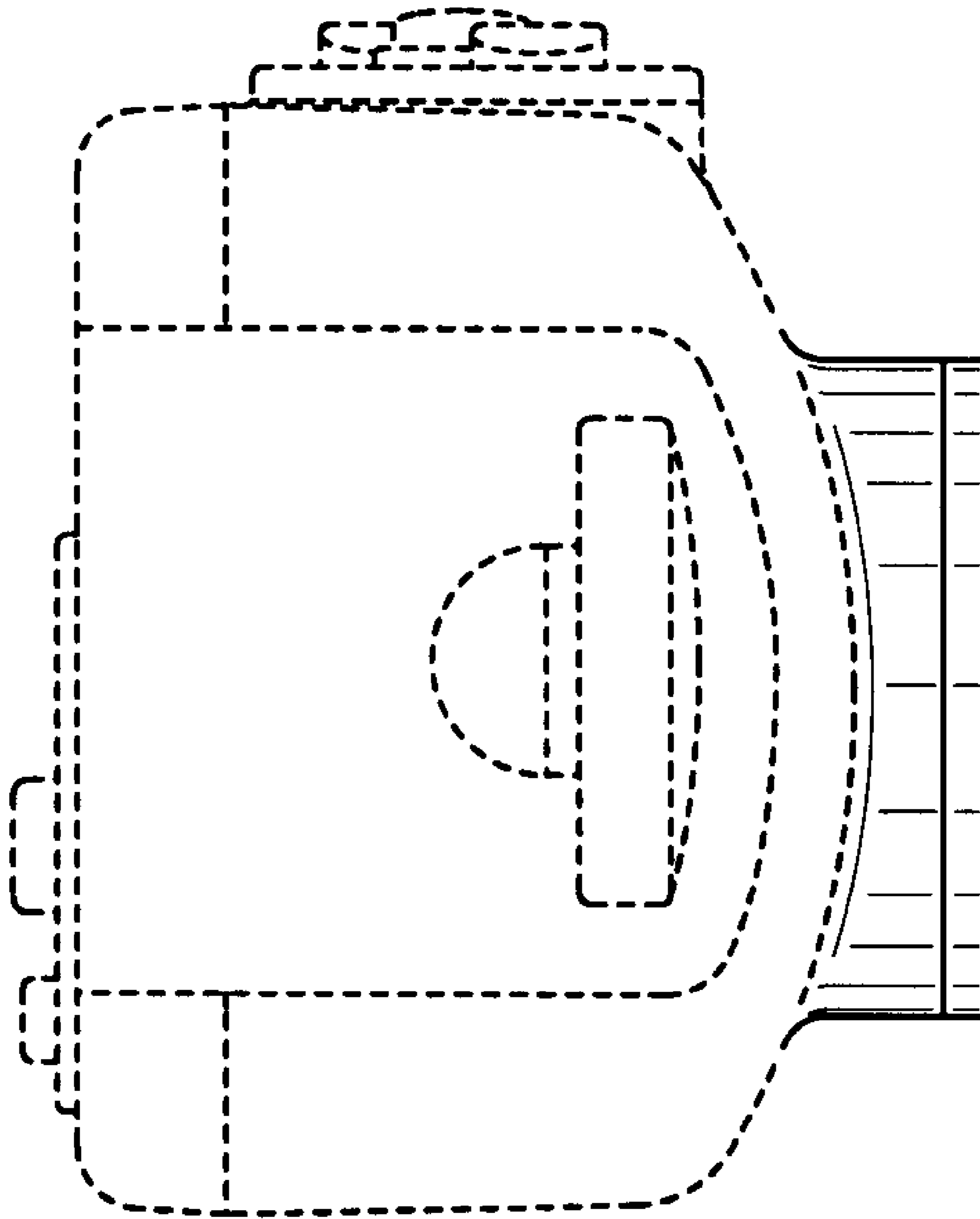
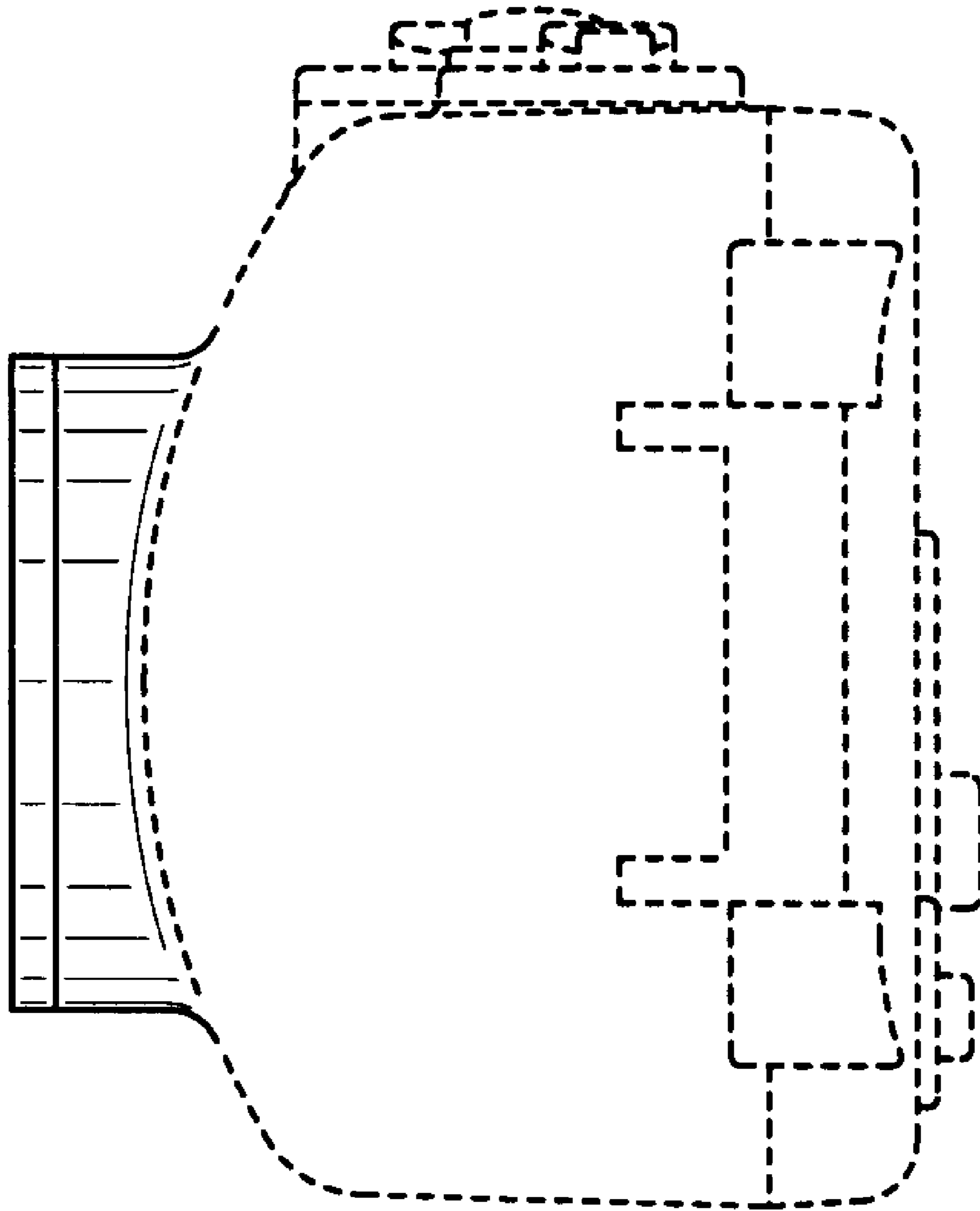


FIG. 2



**FIG. 3**



**FIG. 4**

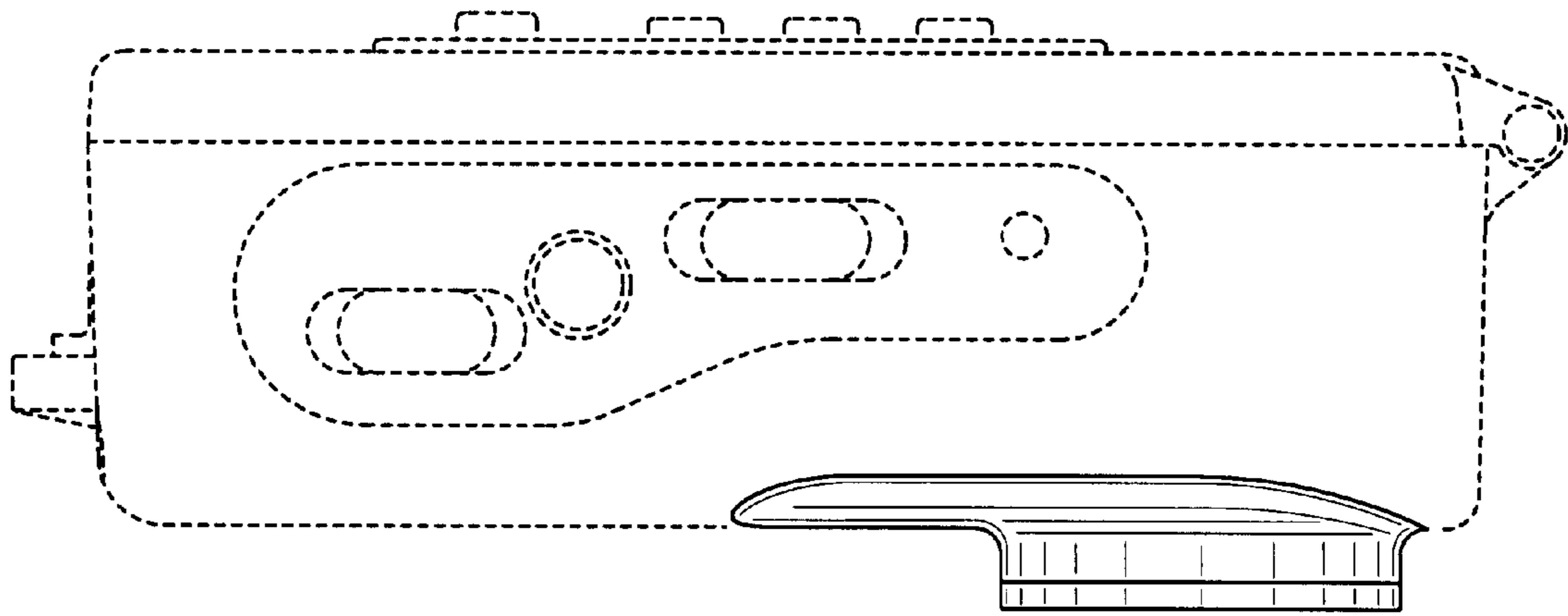


FIG. 5

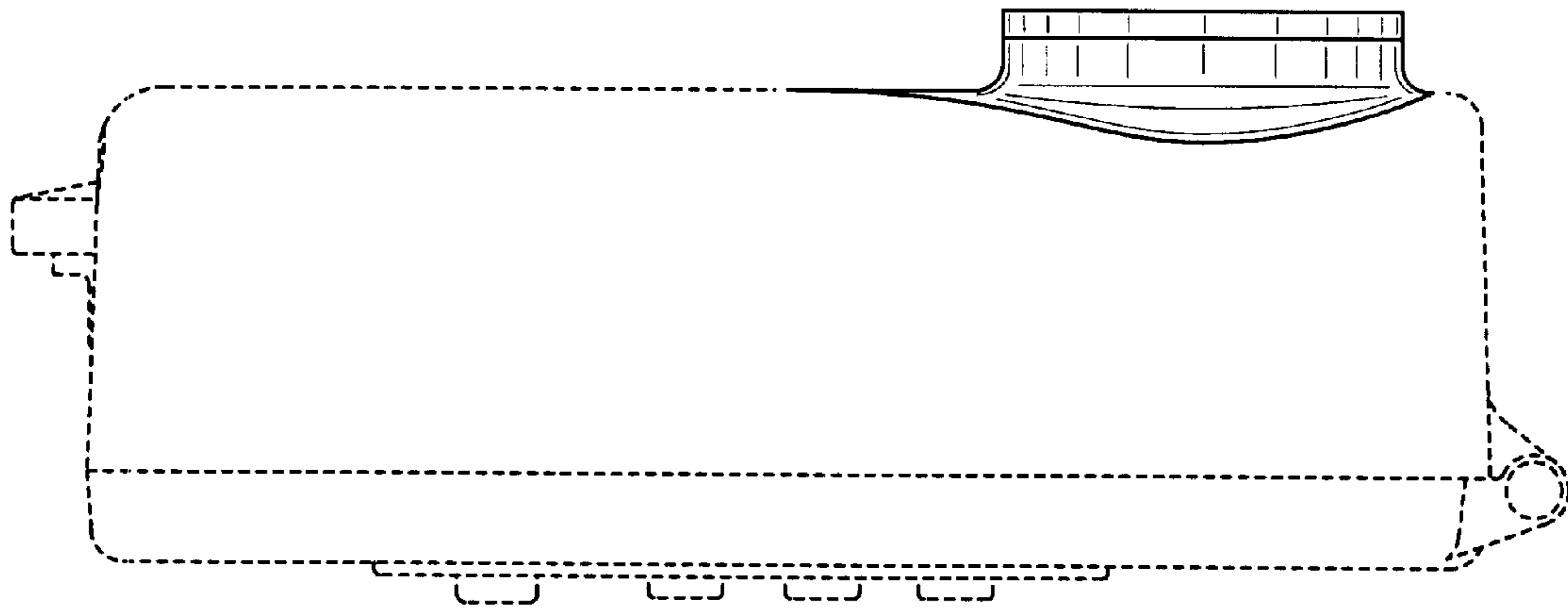


FIG. 6