

US00D540363S

(12) **United States Design Patent**
Tokiwa et al.

(10) **Patent No.:** **US D540,363 S**

(45) **Date of Patent:** **** Apr. 10, 2007**

(54) **LENS FOR CAMERA**

6,089,761 A * 7/2000 Sakurai 359/828
D478,110 S * 8/2003 Nasu D16/219

(75) Inventors: **Kentaro Tokiwa**, Saitama (JP);
Takehiko Senba, Saitama (JP); **Hiroshi Tanaka**, Saitama (JP)

* cited by examiner

Primary Examiner—Adir Aronovich

(74) *Attorney, Agent, or Firm*—Young & Thompson

(73) Assignee: **Fuji Photo Film Co., Ltd.**, Kanagawa (JP)

(57) **CLAIM**

(**) Term: **14 Years**

The ornamental design for a lens for camera, as shown and described.

(21) Appl. No.: **29/235,889**

DESCRIPTION

(22) Filed: **Aug. 9, 2005**

FIG. 1 is a reduced top, rear and right side perspective view of a lens for camera, showing our new design;

(30) **Foreign Application Priority Data**

Feb. 10, 2005 (JP) 2005-003640

FIG. 2 is a rear elevational view thereof;

(51) **LOC (8) Cl.** **16-05**

FIG. 3 is a reduced bottom plan view thereof;

(52) **U.S. Cl.** **D16/219**; D16/134

FIG. 4 is a reduced top plan view thereof;

(58) **Field of Classification Search** D16/134,

FIG. 5 is a reduced right side elevational view thereof;

D16/136, 200, 202, 218, 219; 348/373-376;

FIG. 6 is a reduced left side elevational view thereof;

358/909.1; 359/815, 819, 826-828; 396/529-532,

FIG. 7 is an enlarged top, rear and right side perspective view a lens for camera;

396/535, 540, 541, 544

FIG. 8 is an enlarged rear elevational view thereof;

See application file for complete search history.

FIG. 9 is an enlarged bottom plan view thereof;

(56) **References Cited**

U.S. PATENT DOCUMENTS

D252,833 S * 9/1979 Bowser D26/85

4,330,192 A * 5/1982 Shimizu 396/529

D339,599 S * 9/1993 Tiffen D16/219

FIG. 10 is an enlarged top plan view thereof;

FIG. 11 is an enlarged right side elevational view thereof;

FIG. 12 is an enlarged left side elevational view thereof; and,

FIG. 13 discloses a lens body and camera housing both

shown in broken lines to illustrate the environment only and

forms no part of the claimed design.

1 Claim, 7 Drawing Sheets

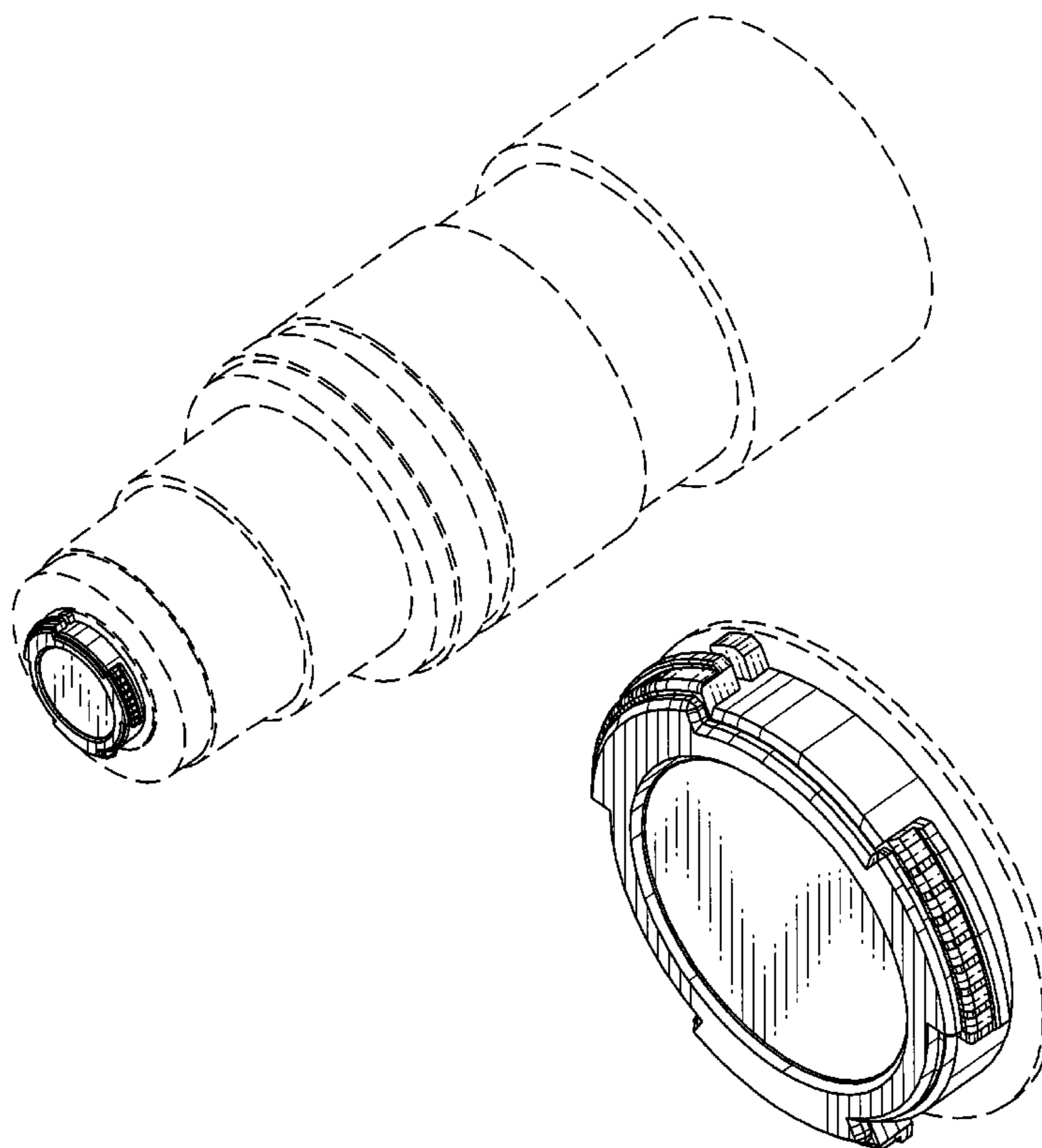


FIG.1

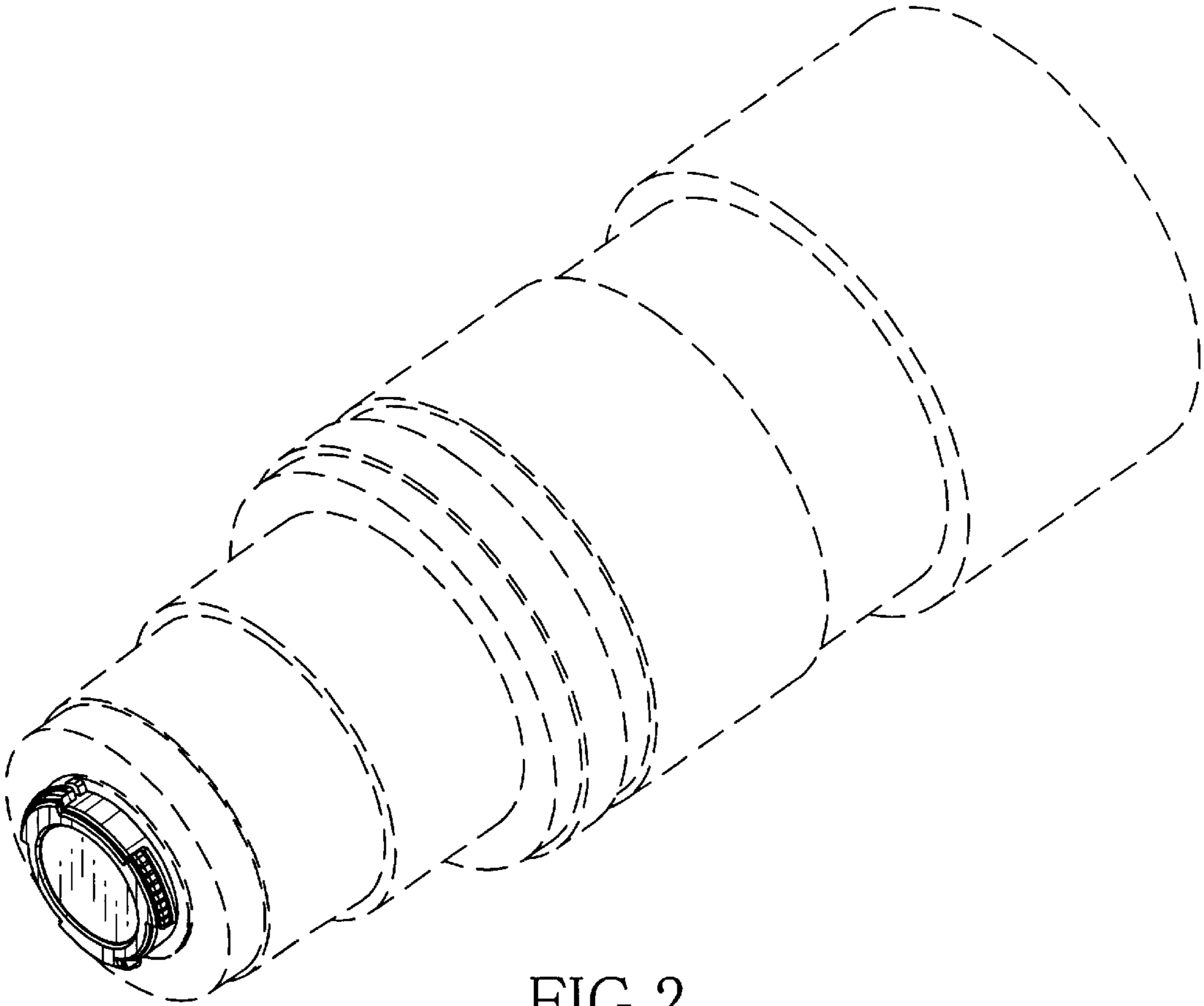


FIG.2

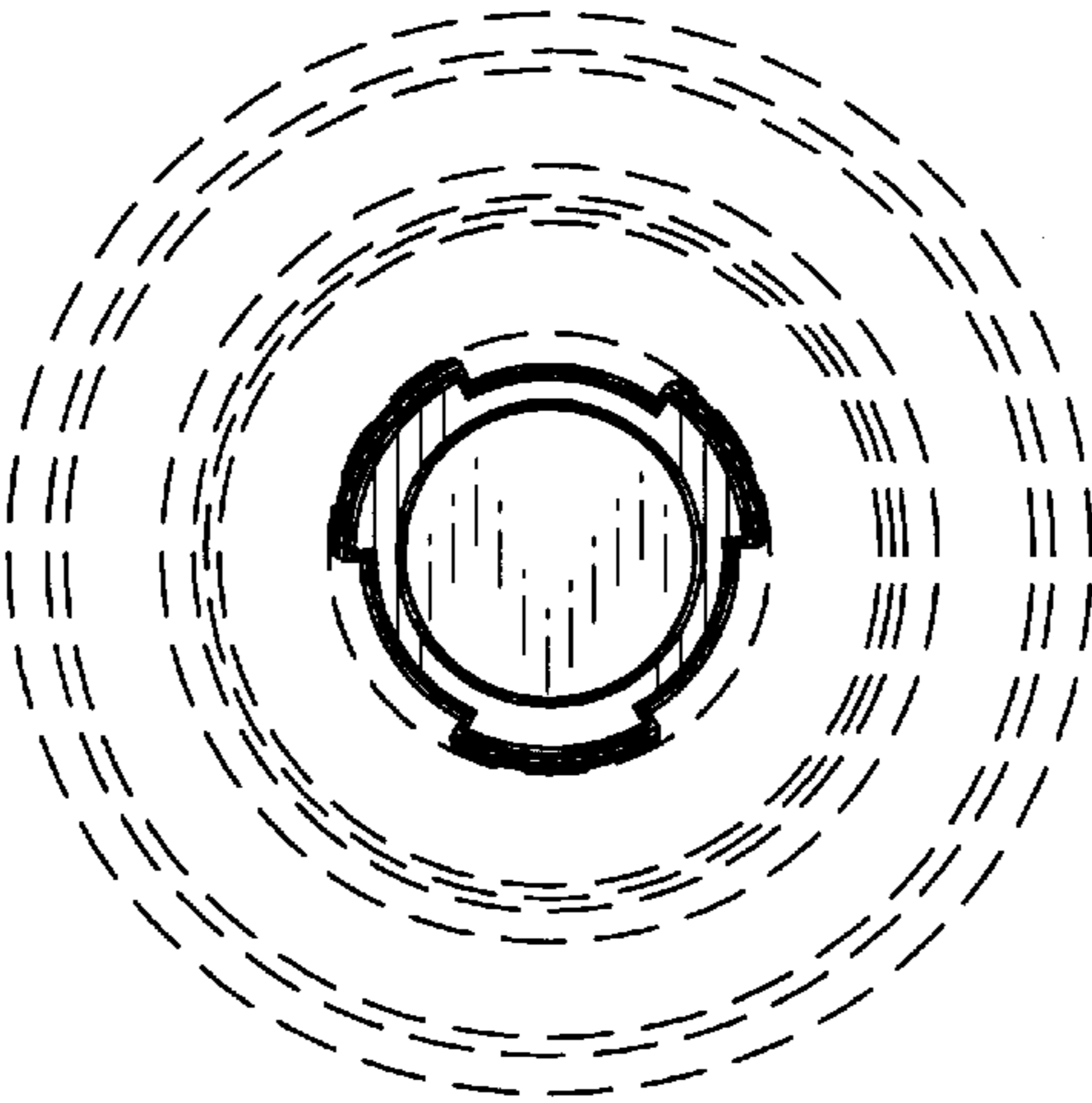


FIG.3

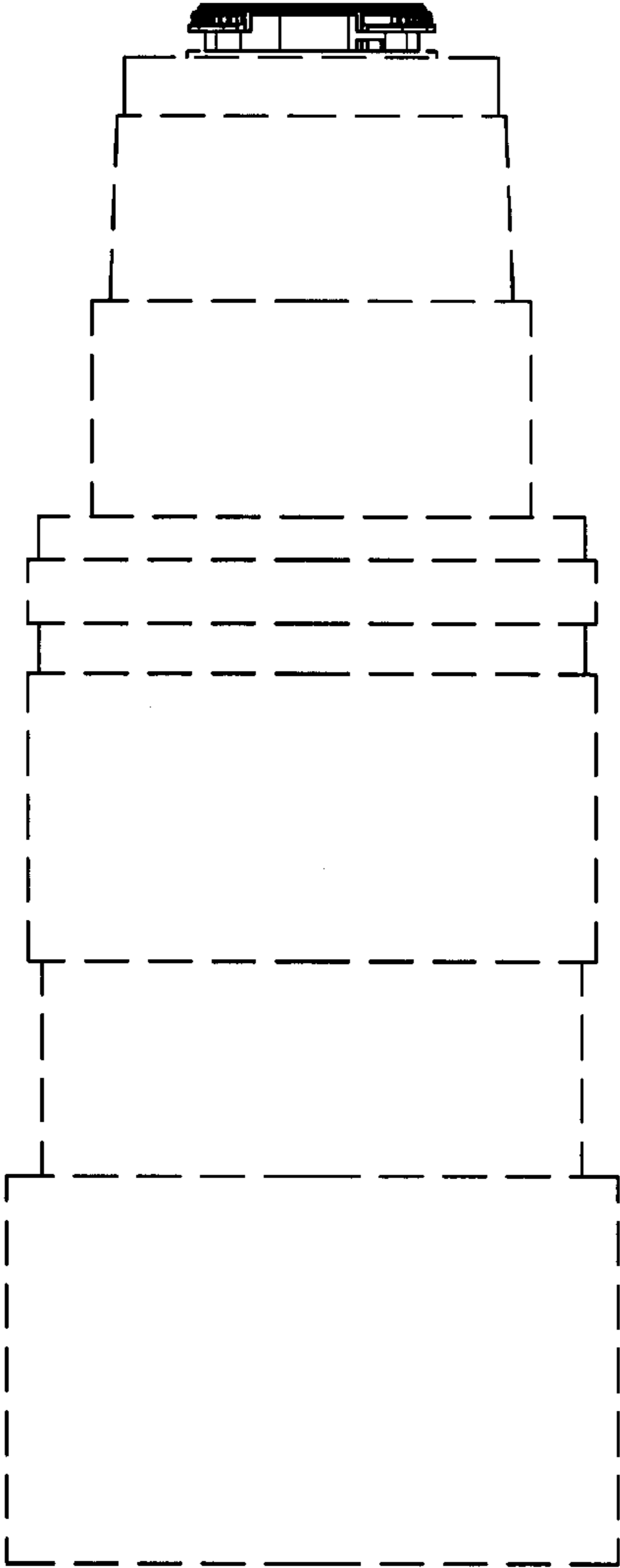


FIG.4

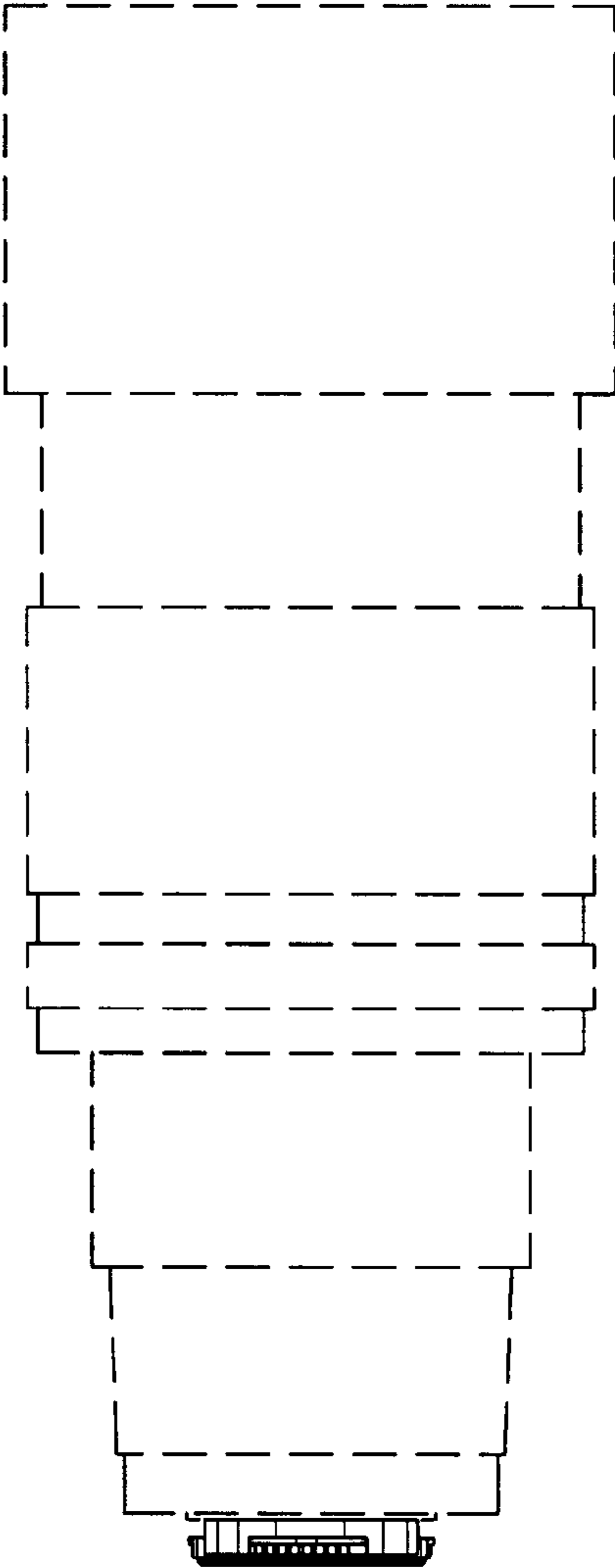


FIG.5

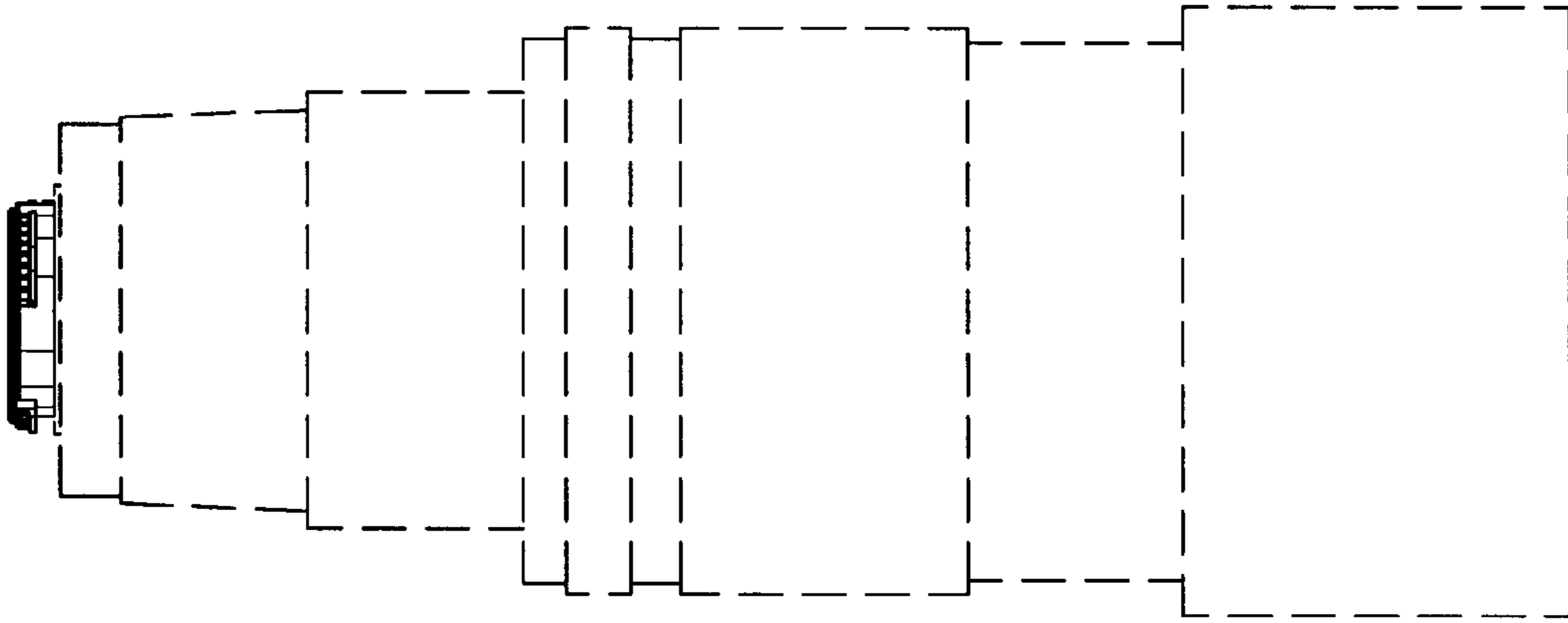


FIG.6

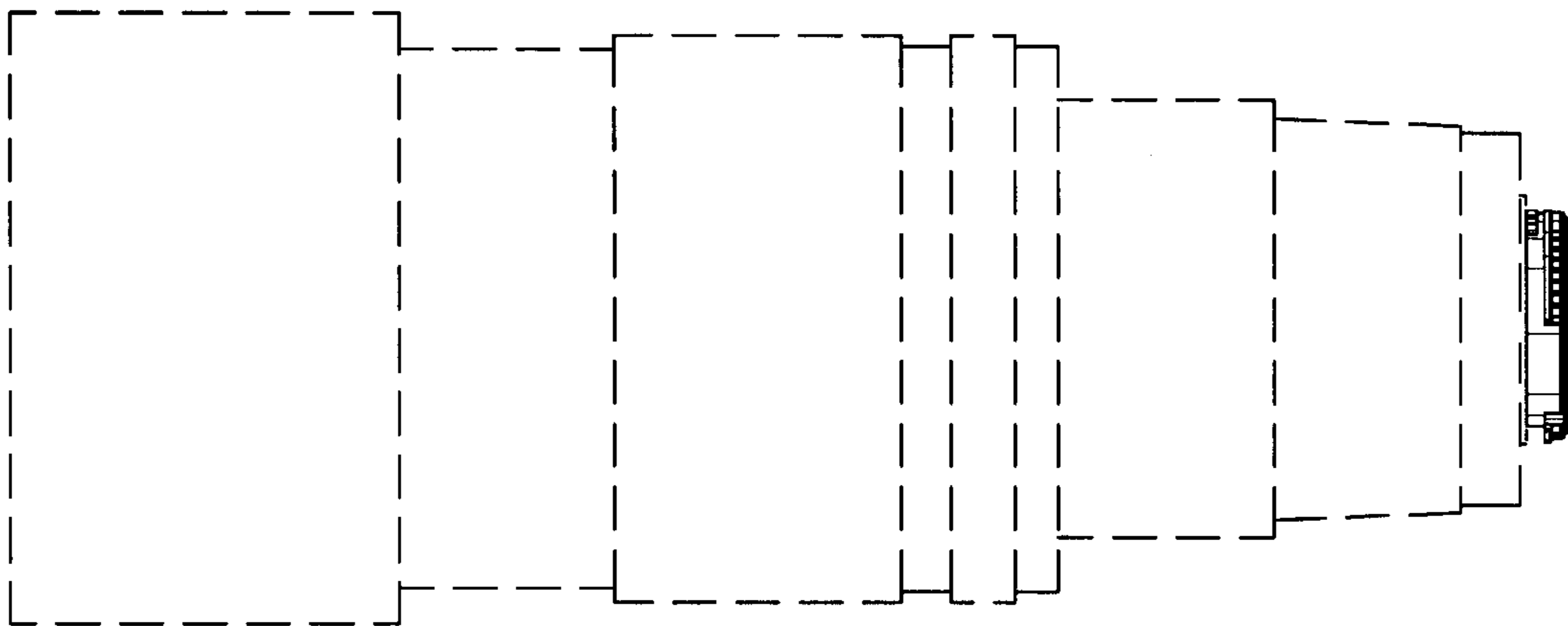


FIG.7

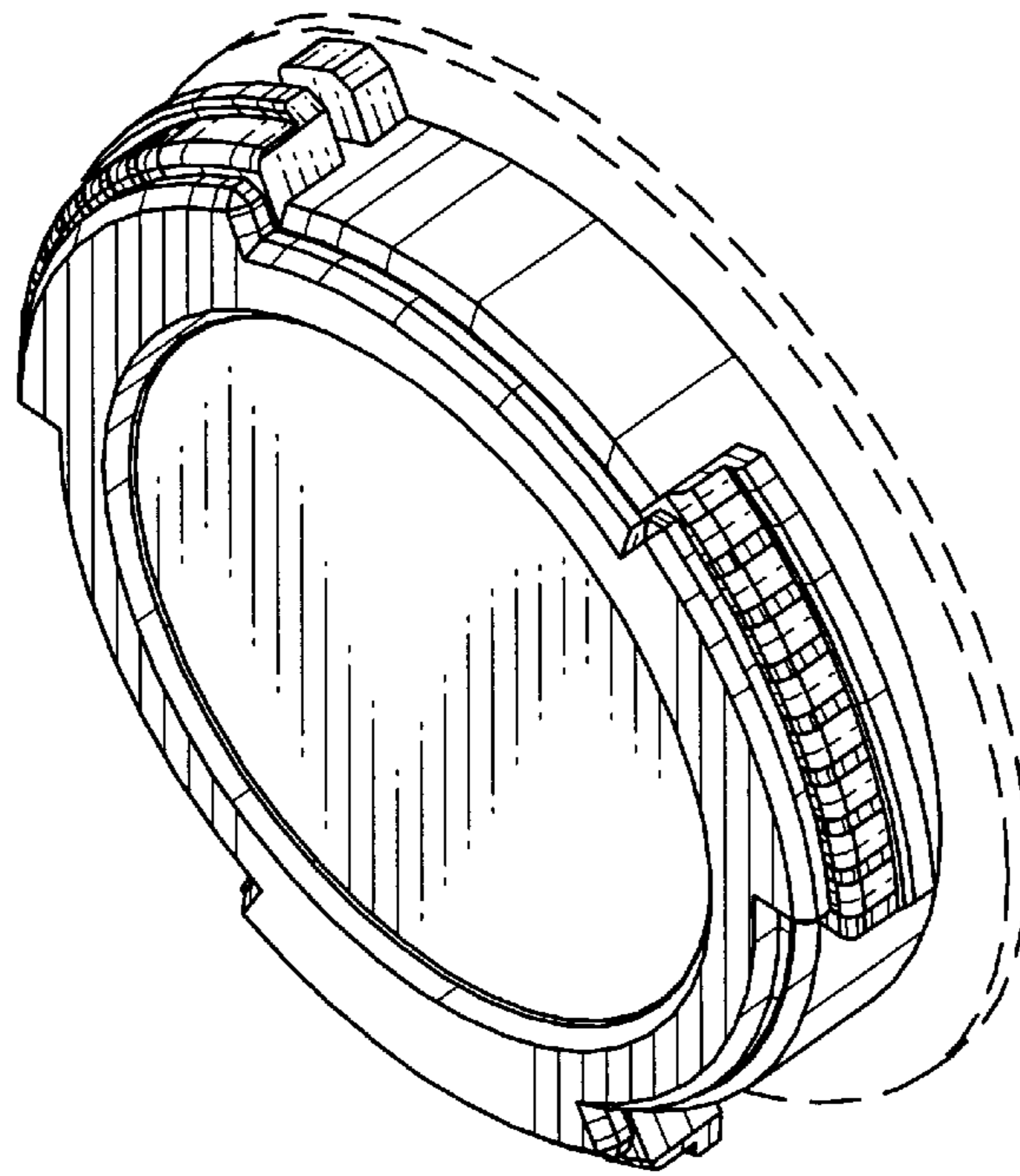


FIG.8

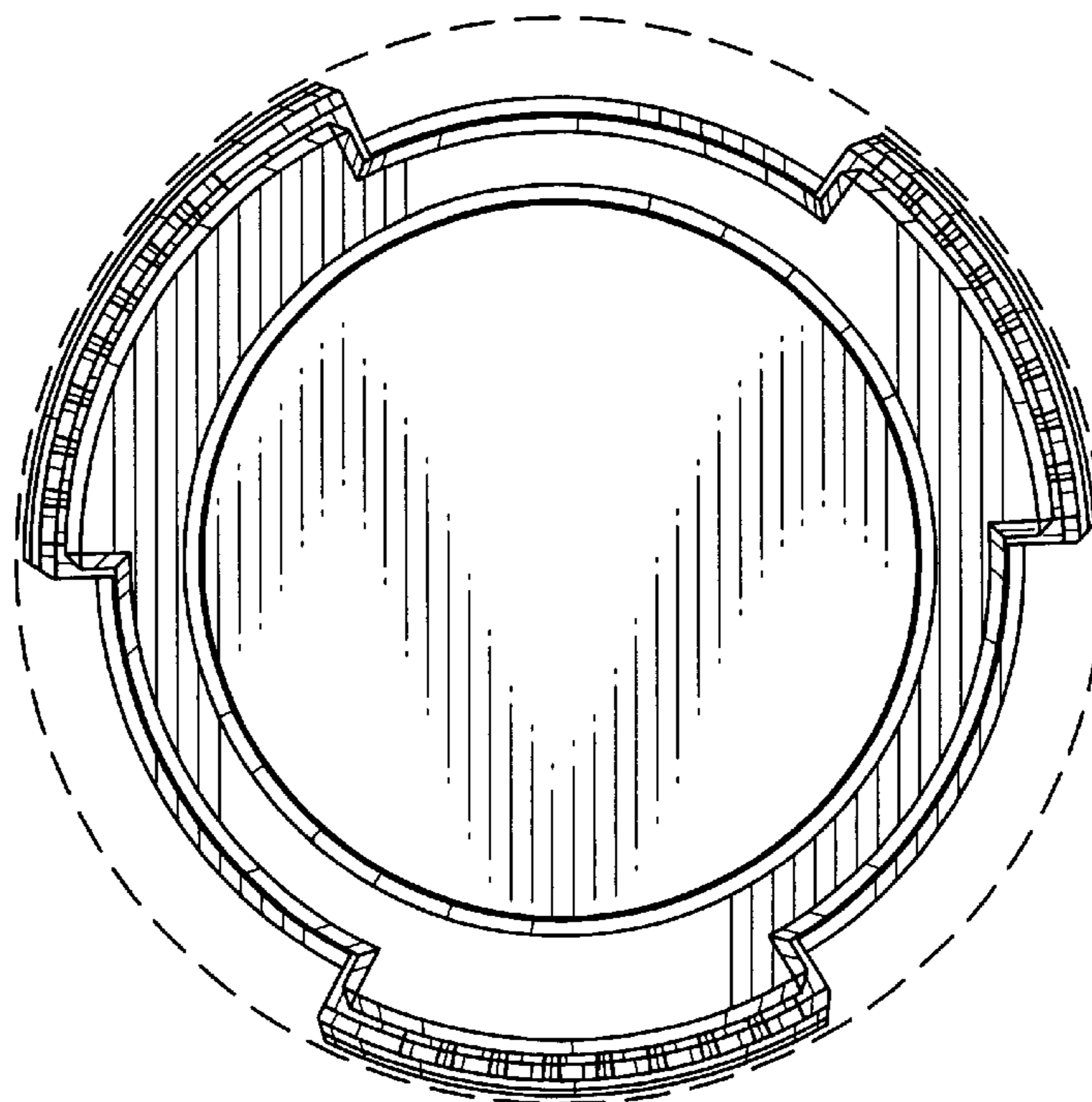


FIG.9

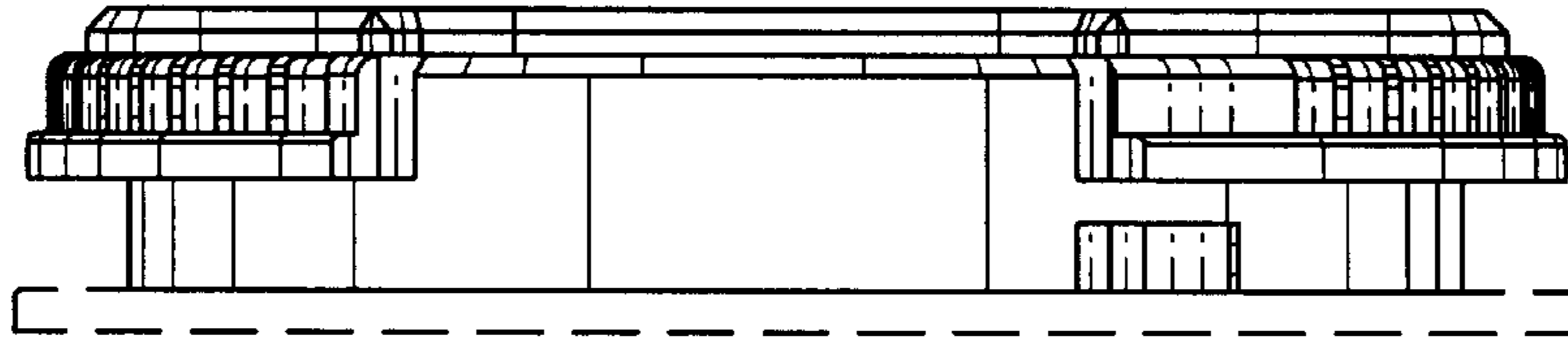


FIG.10

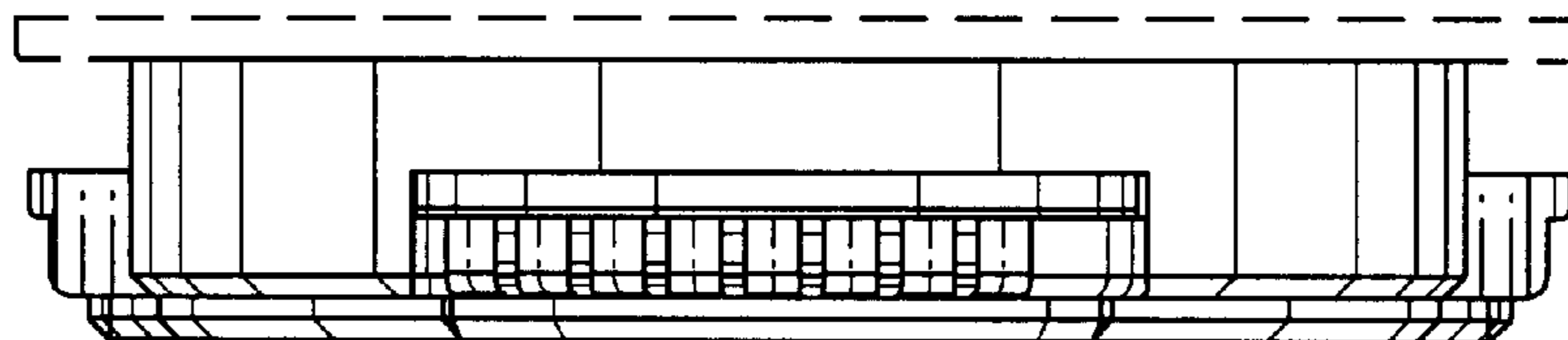


FIG.11

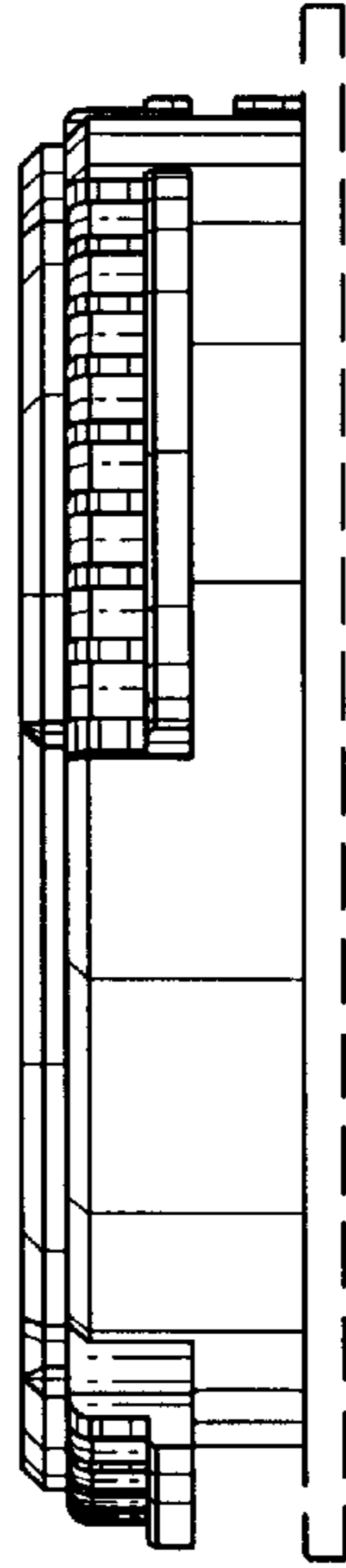


FIG.12

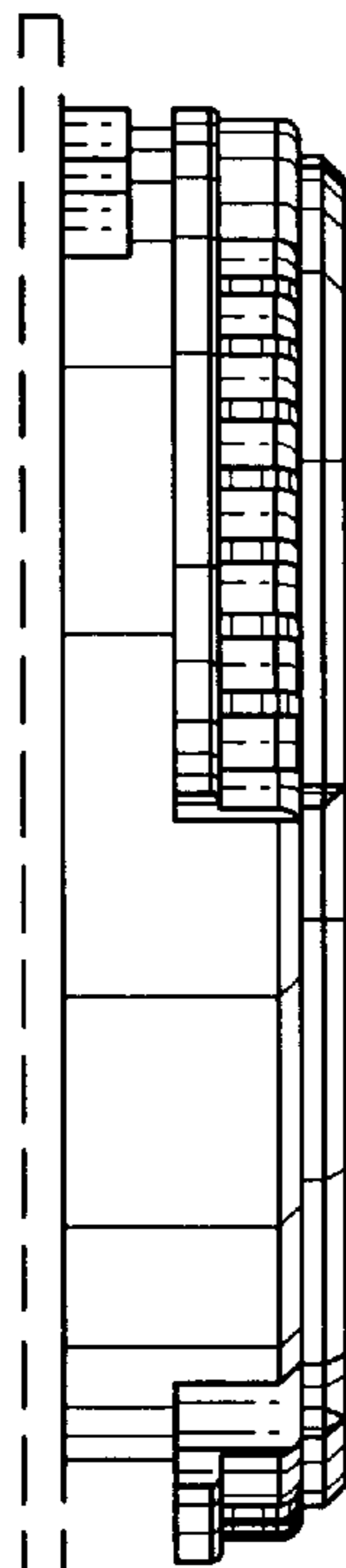


FIG. 13

