

US00D540362S

(12) **United States Design Patent**
Yamagishi

(10) **Patent No.:** **US D540,362 S**

(45) **Date of Patent:** **** Apr. 10, 2007**

(54) **CAMERA HOUSING**

(75) **Inventor:** **Asami Yamagishi, Tokyo (JP)**

(73) **Assignee:** **Sony Corporation, Tokyo (JP)**

(**) **Term:** **14 Years**

(21) **Appl. No.:** **29/236,354**

(22) **Filed:** **Aug. 16, 2005**

(30) **Foreign Application Priority Data**

Feb. 16, 2005 (JP) D2005-003971

(51) **LOC (8) Cl.** **16-01**

(52) **U.S. Cl.** **D16/218**

(58) **Field of Classification Search** D16/200–205,
D16/208, 218; 348/373–376; 358/909.1;
396/6, 535, 536–541

See application file for complete search history.

(56) **References Cited**

U.S. PATENT DOCUMENTS

- D416,270 S 11/1999 Harata
- D450,735 S * 11/2001 Teng et al. D16/202
- D453,177 S 1/2002 Uehara
- D466,539 S * 12/2002 Suzuki et al. D16/202

- D483,049 S * 12/2003 Hsieh D16/202
- D494,990 S * 8/2004 Su et al. D16/202
- 6,816,672 B2 * 11/2004 Mikami et al. 396/6
- D501,496 S * 2/2005 Sadatsuki D16/218
- 6,862,406 B2 * 3/2005 Franco Kai Chung 396/6
- D516,601 S * 3/2006 Ishii D16/218
- D521,039 S * 5/2006 Kurimoto et al. D16/202

* cited by examiner

Primary Examiner—Adir Aronovich

(74) *Attorney, Agent, or Firm*—Rader, Fishman & Grauer PLLC

(57) **CLAIM**

The ornamental design for a camera housing, as shown.

DESCRIPTION

FIG. 1 is a perspective view of a camera housing showing my new design;

FIG. 2 is a front elevational view thereof;

FIG. 3 is a rear elevational view thereof;

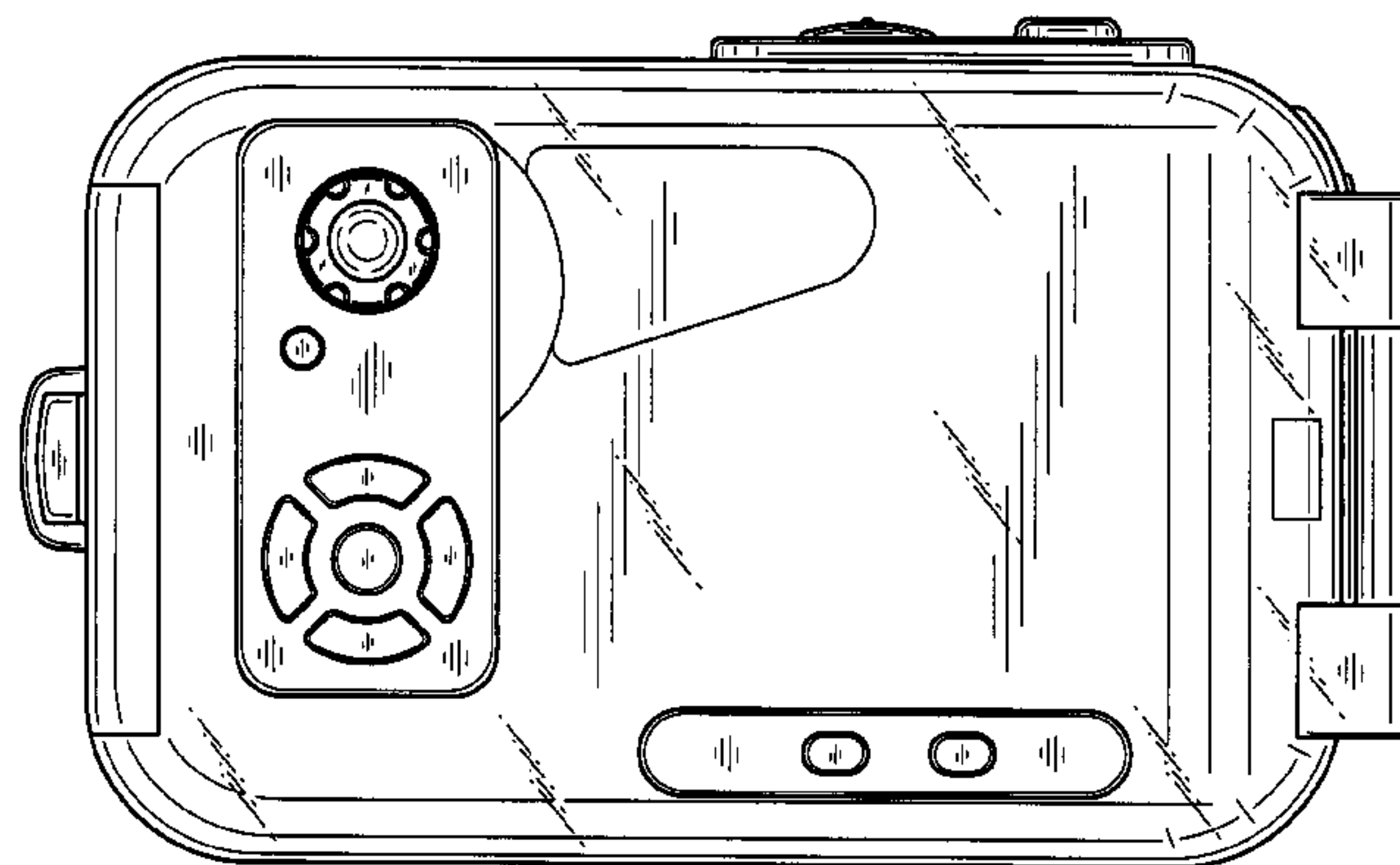
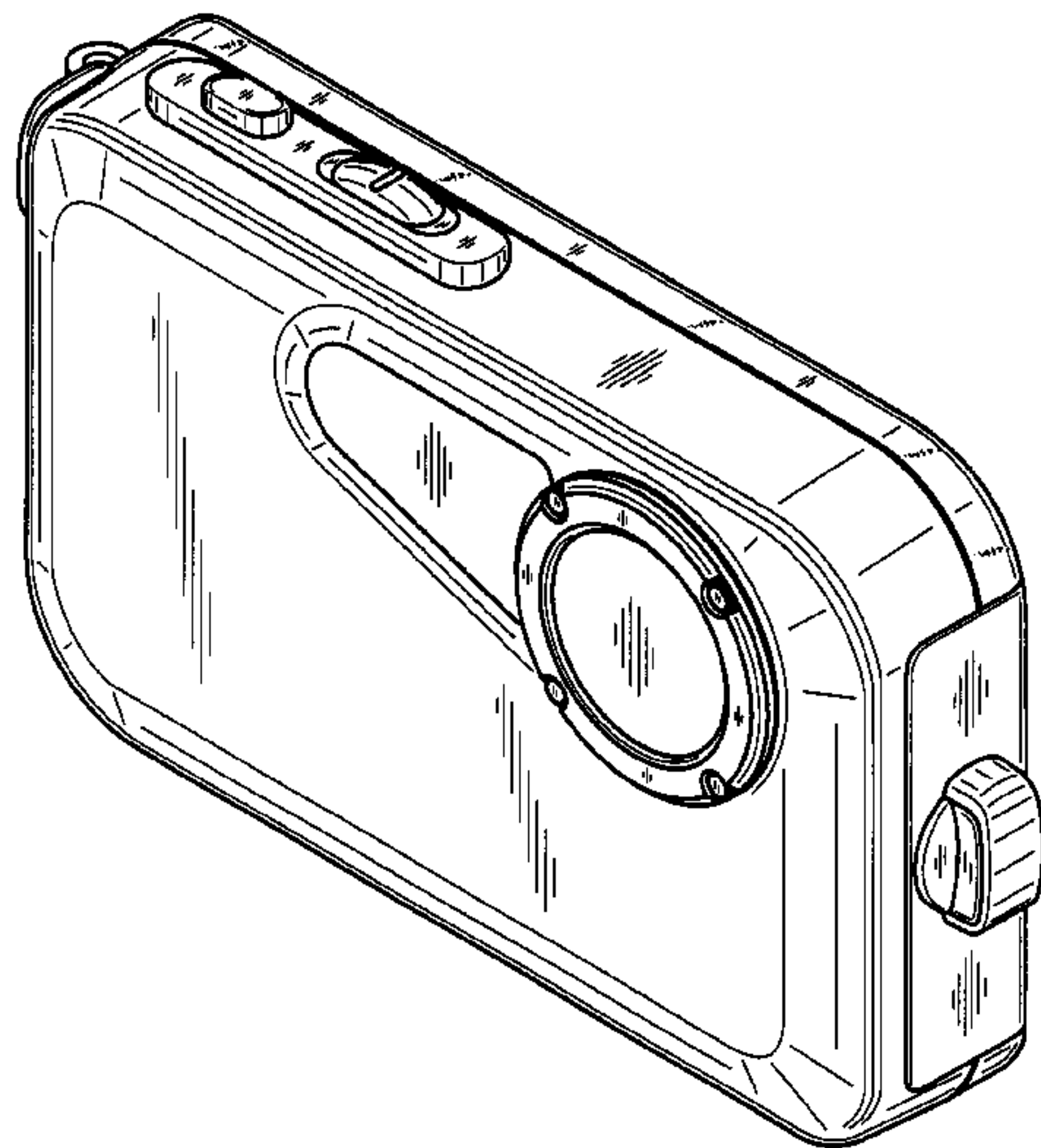
FIG. 4 is a left side elevational view thereof;

FIG. 5 is a right side elevational view thereof;

FIG. 6 is a top plan view thereof; and,

FIG. 7 is a bottom plan view thereof.

1 Claim, 7 Drawing Sheets



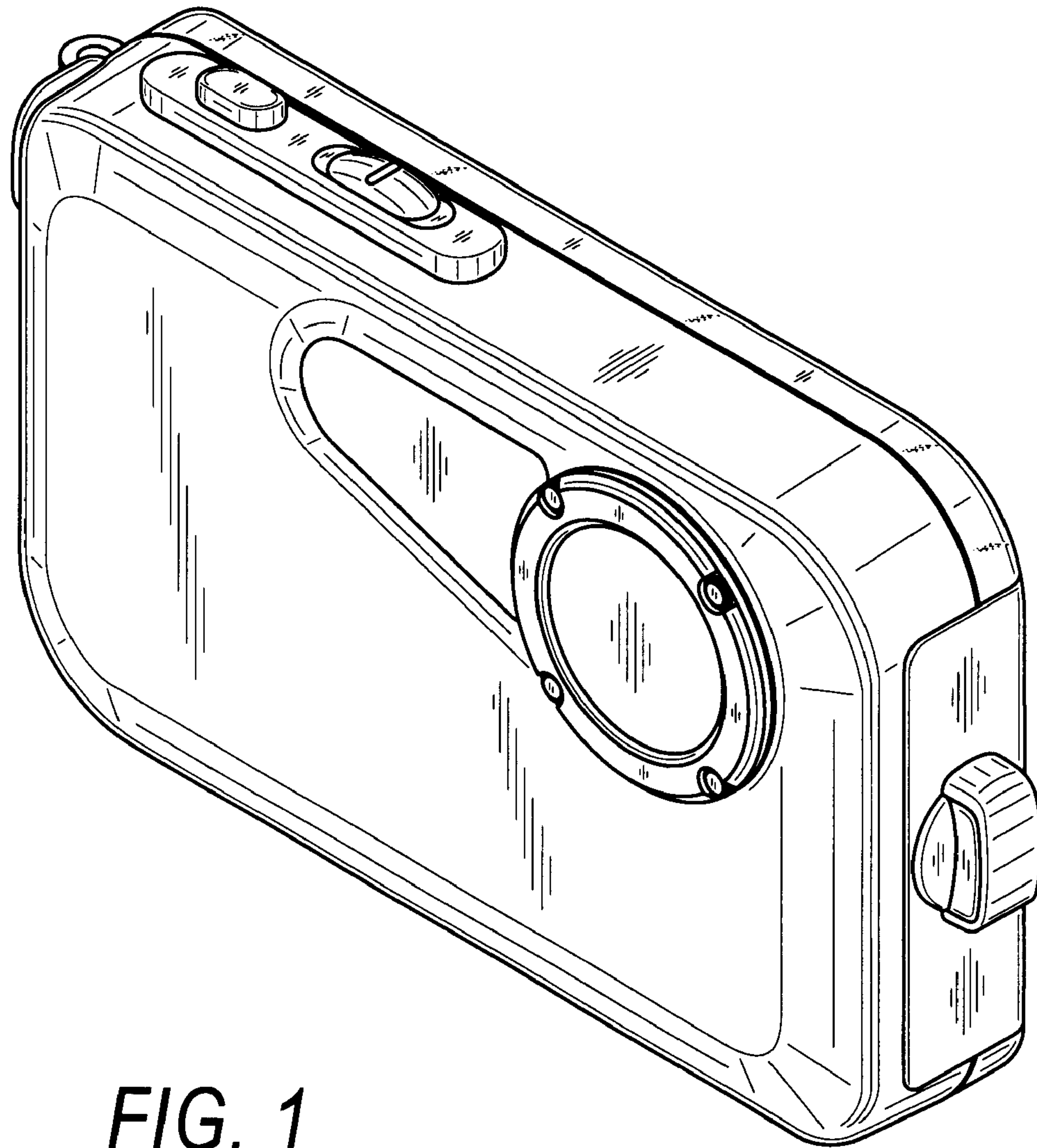


FIG. 1

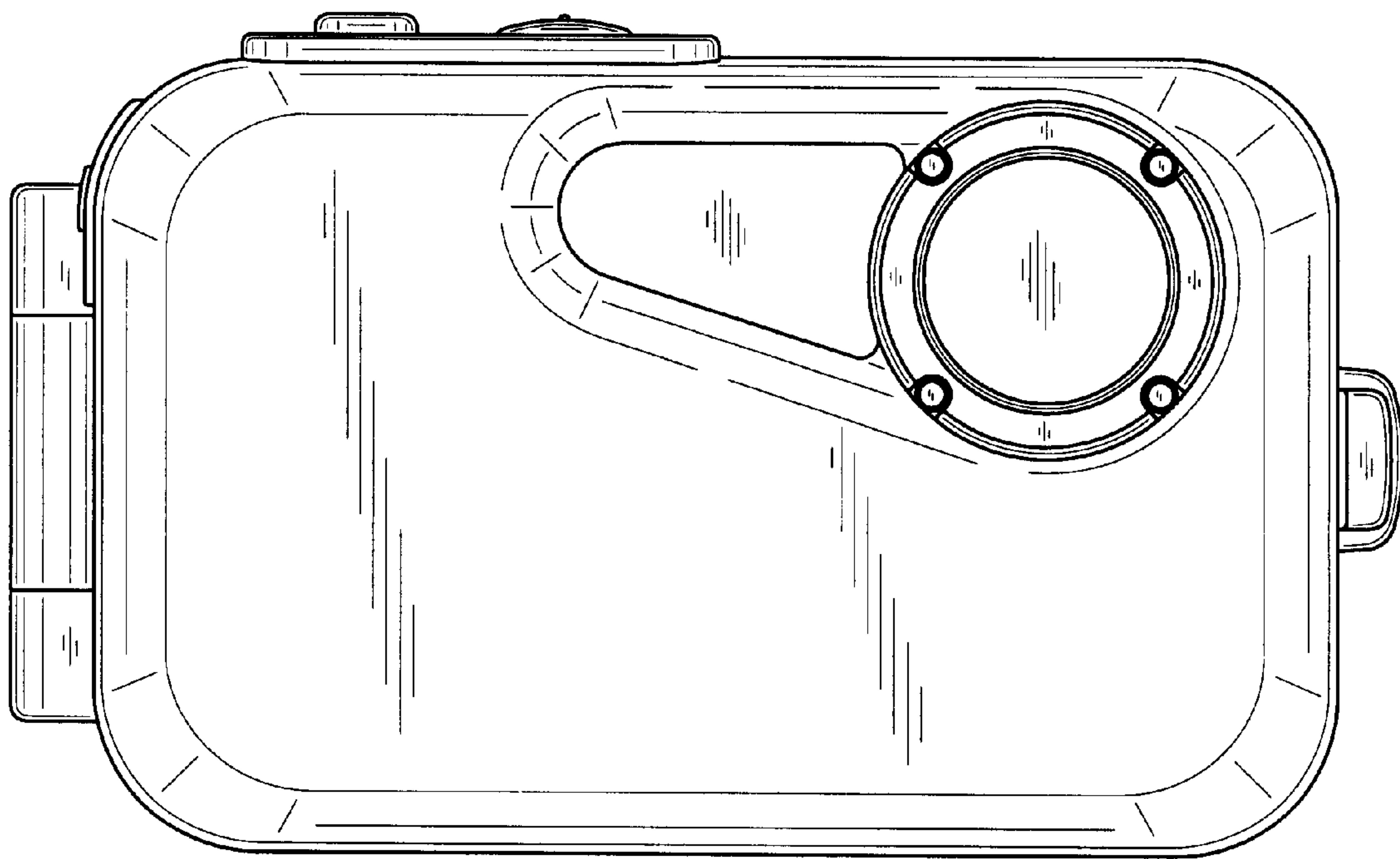


FIG. 2

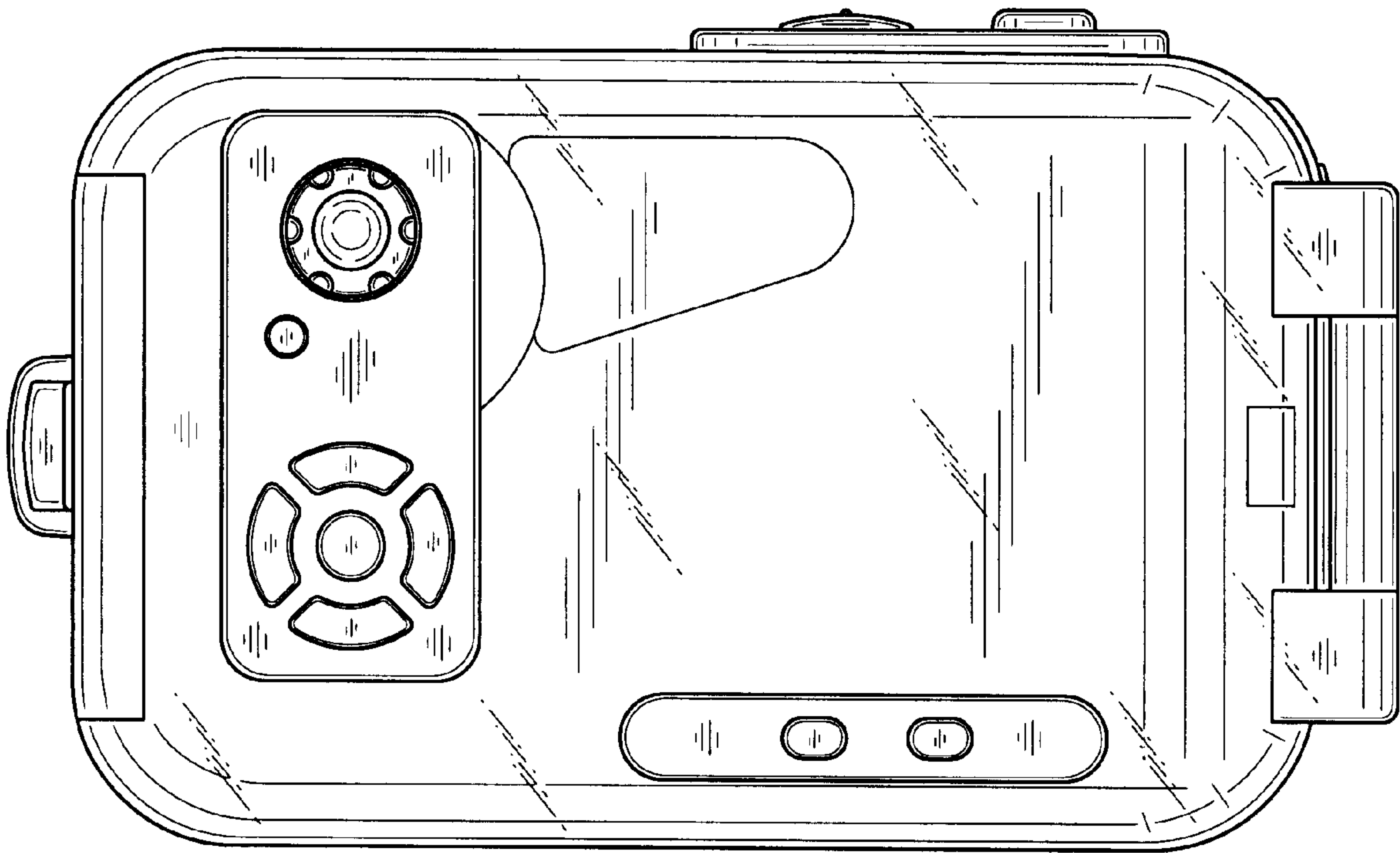


FIG. 3

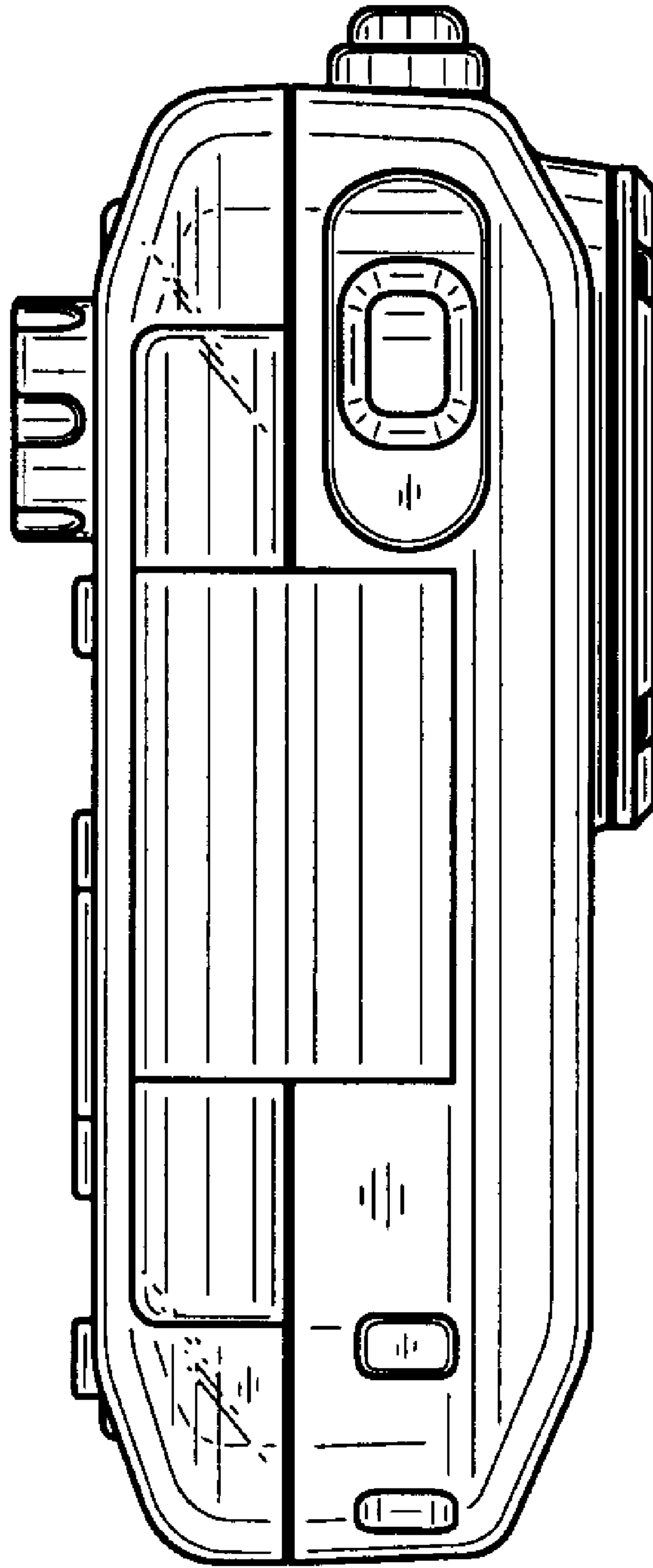


FIG. 4

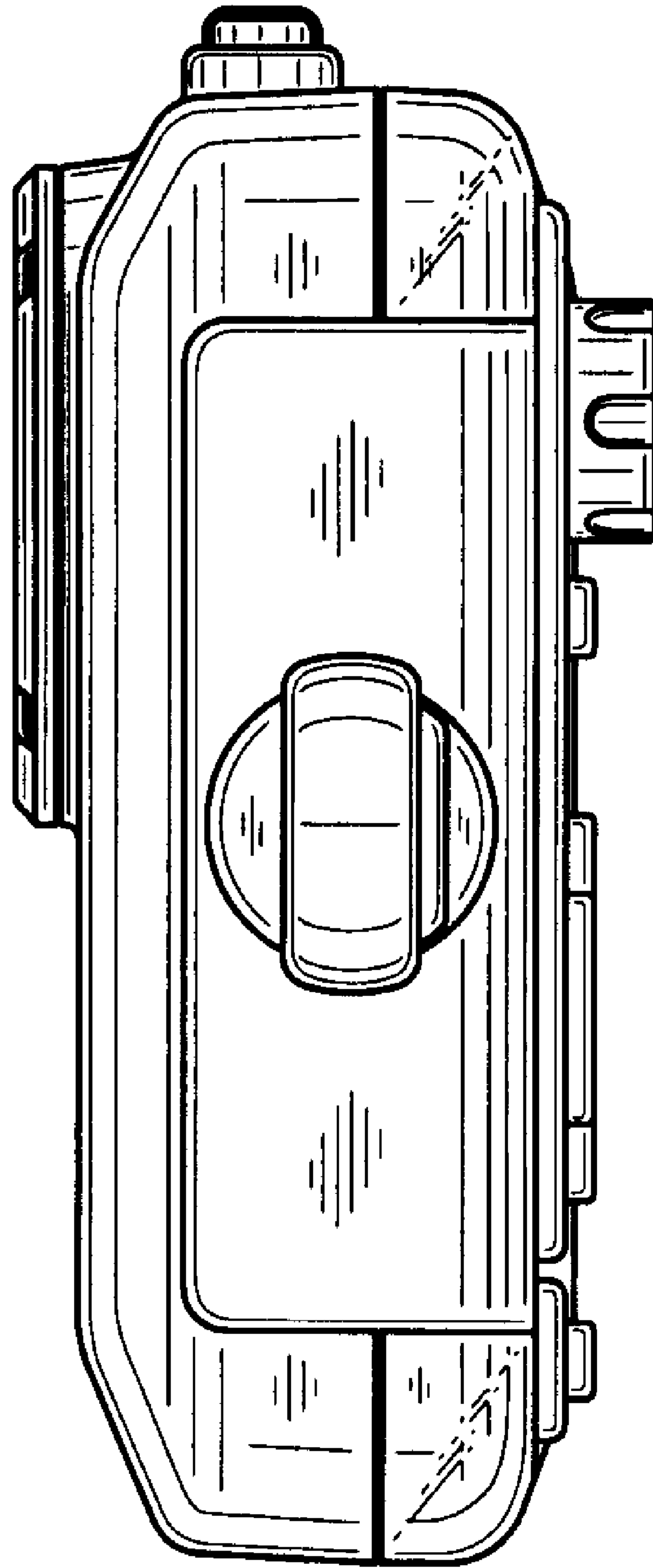


FIG. 5

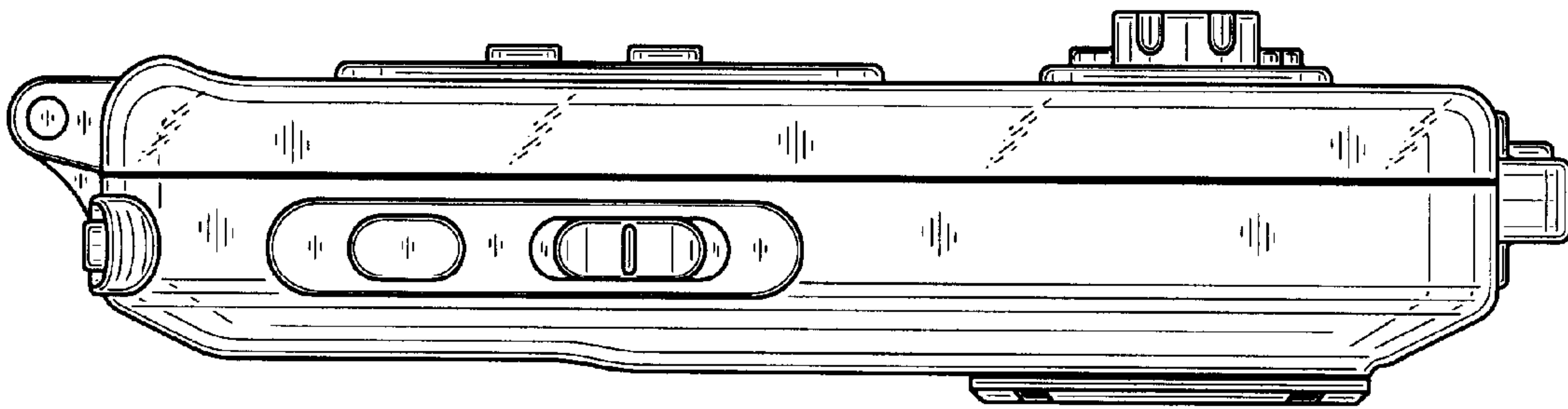


FIG. 6

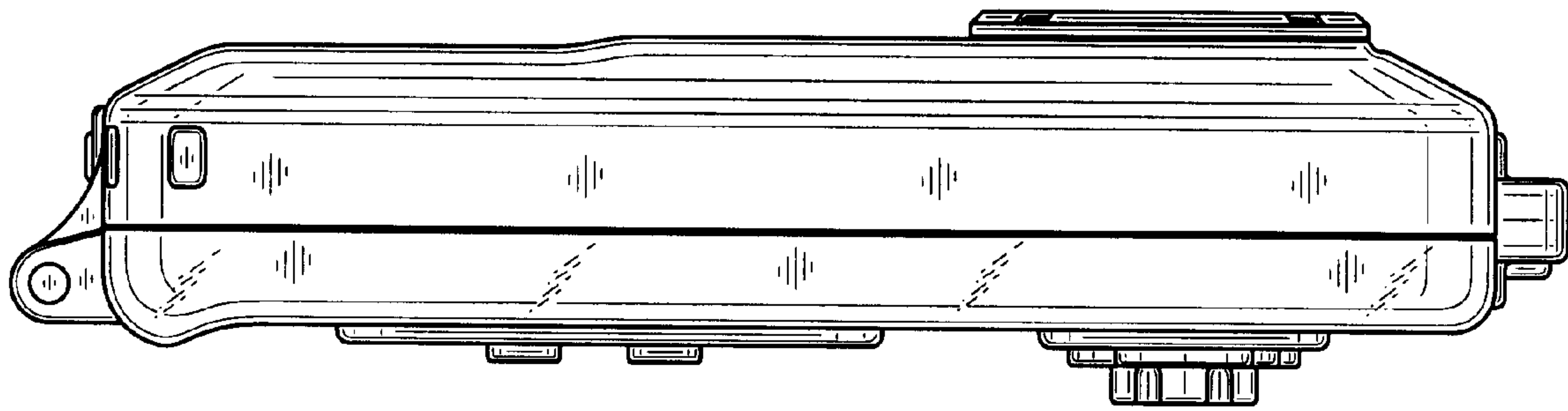


FIG. 7