

US00D540361S

(12) **United States Design Patent**  
**Yamakawa**

(10) **Patent No.:** **US D540,361 S**

(45) **Date of Patent:** **\*\* Apr. 10, 2007**

(54) **SURVEILLANCE CAMERA**

(75) Inventor: **Yasuki Yamakawa**, Yokosuka (JP)

(73) Assignee: **Matsushita Electric Industrial Co., Ltd.**, Osaka (JP)

(\*\*) Term: **14 Years**

(21) Appl. No.: **29/239,254**

(22) Filed: **Sep. 28, 2005**

(30) **Foreign Application Priority Data**

Jul. 28, 2005 (JP) ..... 2005-021922

(51) **LOC (8) Cl.** ..... **16-01**

(52) **U.S. Cl.** ..... **D16/203**

(58) **Field of Classification Search** ..... D16/200–205,  
D16/208, 218; 348/143, 151, 373–376; 396/419,  
396/427, 535–541

See application file for complete search history.

(56) **References Cited**

**U.S. PATENT DOCUMENTS**

4,028,730 A \* 6/1977 Miller ..... 348/373  
4,485,407 A 11/1984 Bohm et al.  
D277,961 S \* 3/1985 Shimizu et al. .... D16/202  
D303,674 S \* 9/1989 Shimizu et al. .... D16/203  
D339,598 S \* 9/1993 Shimizu ..... D16/203  
D366,271 S 1/1996 Hasegawa

5,790,910 A \* 8/1998 Haskin ..... 396/427  
D410,936 S 6/1999 Isono  
D472,913 S 4/2003 Rupe  
D489,744 S 5/2004 Muto  
6,830,387 B2 \* 12/2004 Rife ..... 348/151  
D509,234 S \* 9/2005 Muto et al. .... D16/203  
D512,087 S \* 11/2005 Kato et al. .... D16/203

**FOREIGN PATENT DOCUMENTS**

JP 943039 \* 1/1996

\* cited by examiner

*Primary Examiner*—Adir Aronovich

(74) *Attorney, Agent, or Firm*—Brinks Hofer Gilson & Lione

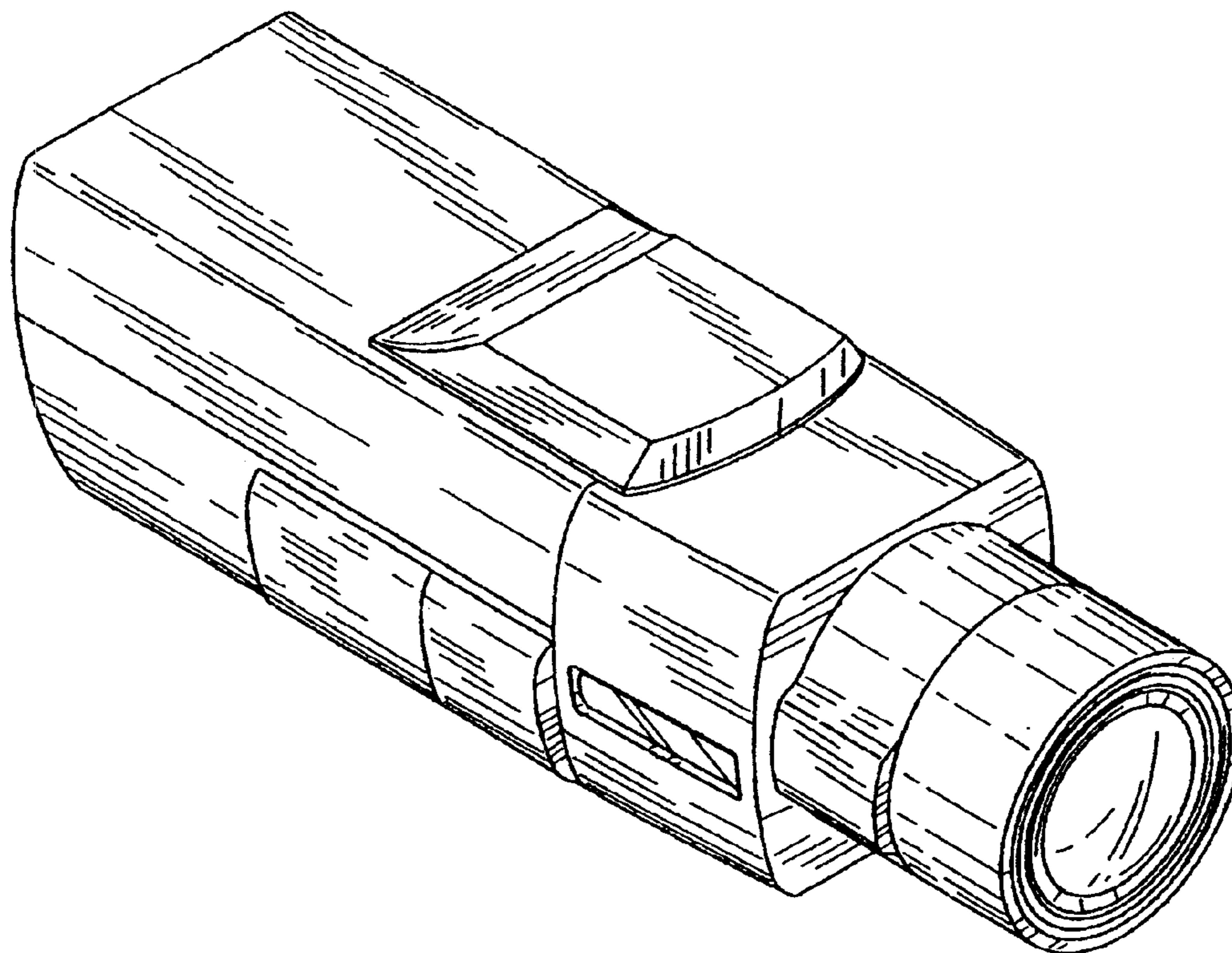
(57) **CLAIM**

I claim the ornamental design for a surveillance camera, as shown and described.

**DESCRIPTION**

FIG. 1 is a top, front and left side perspective view of a surveillance camera of the present invention;  
FIG. 2 is a front view thereof;  
FIG. 3 is a right side view thereof;  
FIG. 4 is a top view thereof;  
FIG. 5 is a left side view thereof;  
FIG. 6 is a bottom view thereof; and,  
FIG. 7 is a rear view thereof.

**1 Claim, 4 Drawing Sheets**



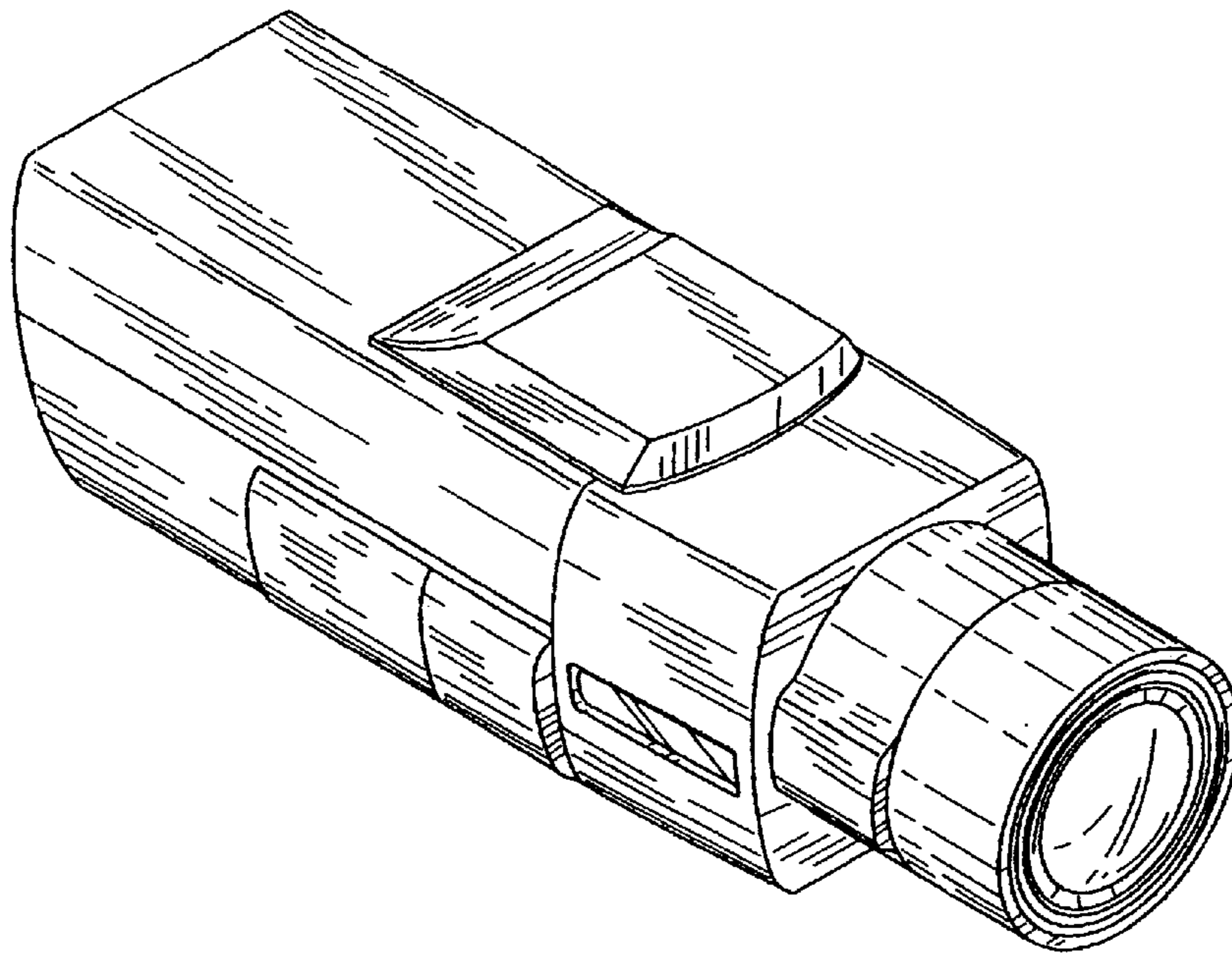


FIG. 1

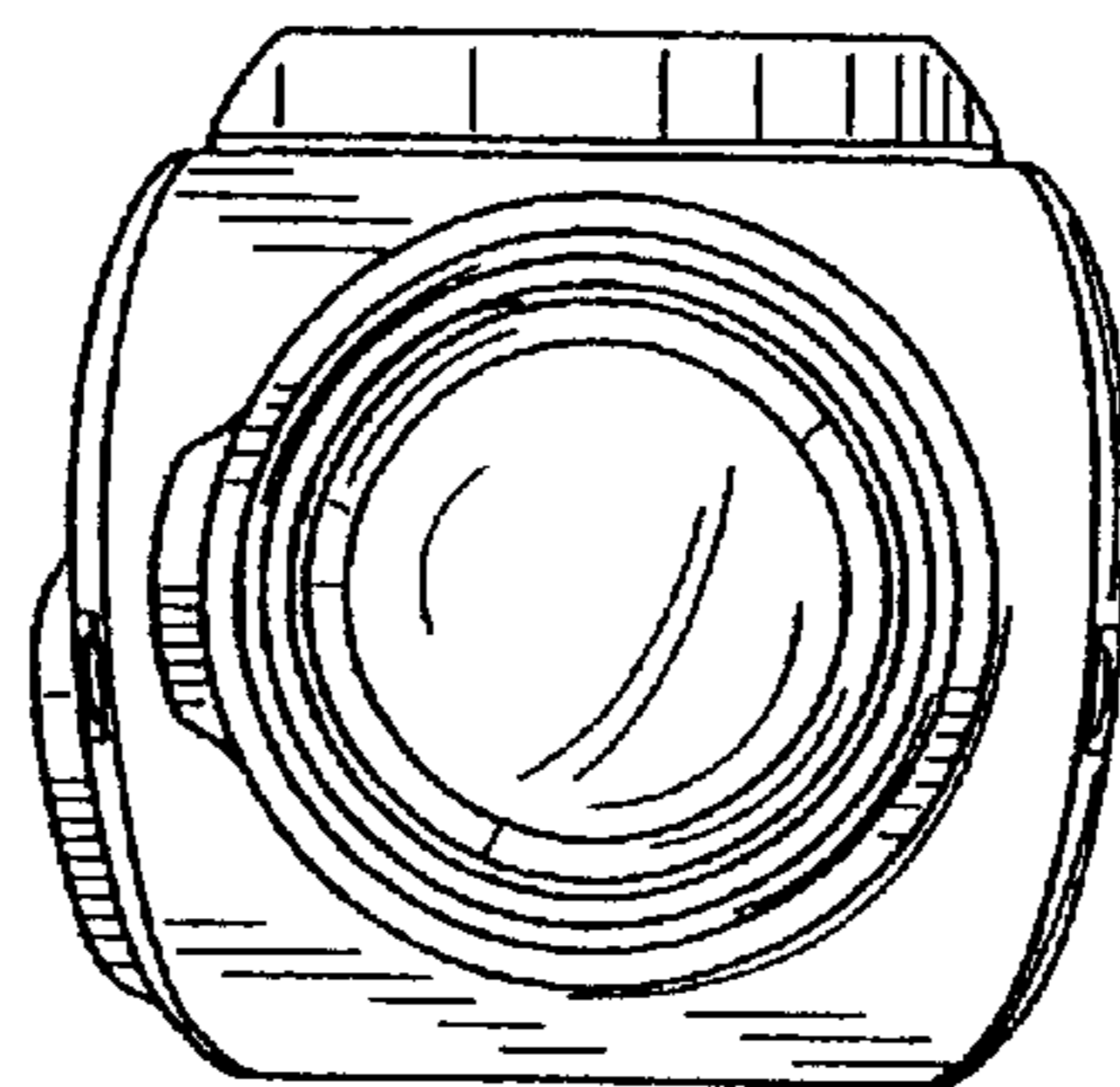


FIG. 2

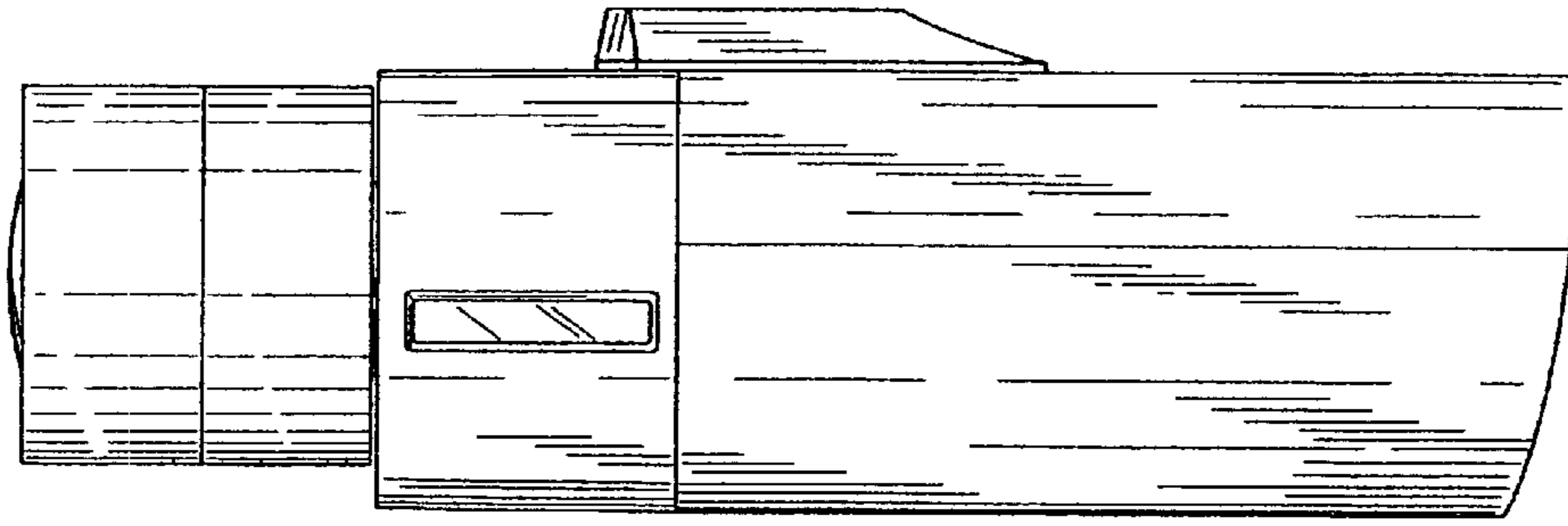


FIG. 3

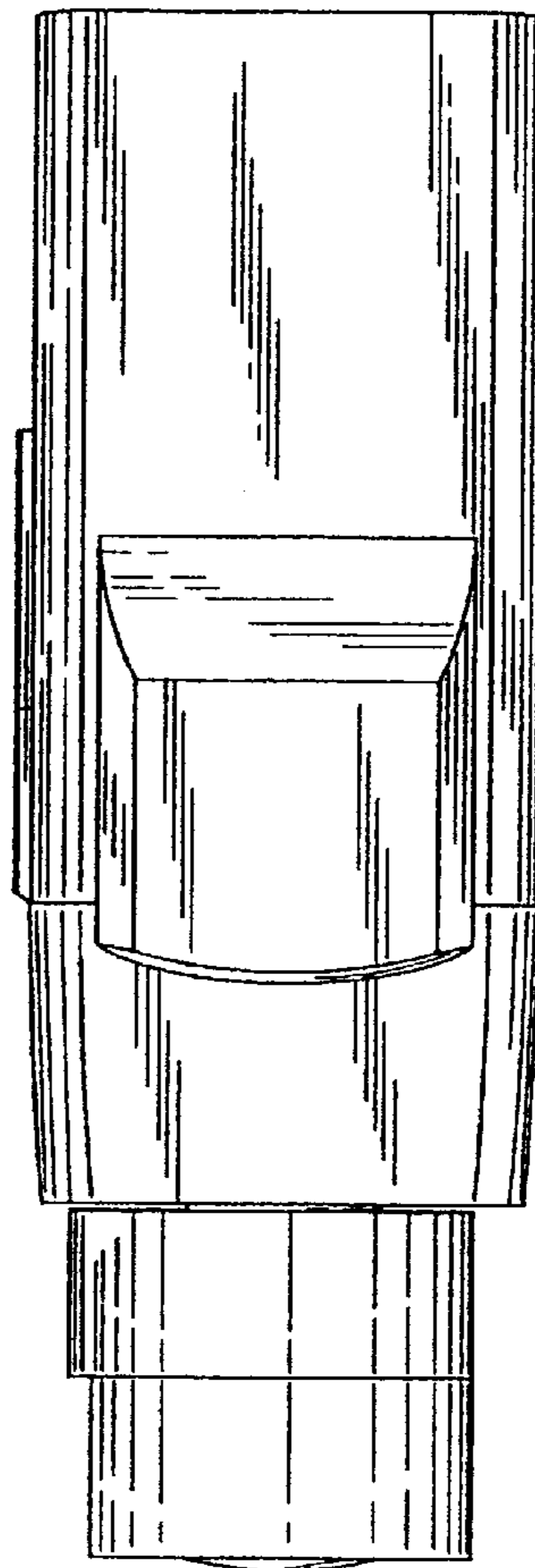


FIG. 4

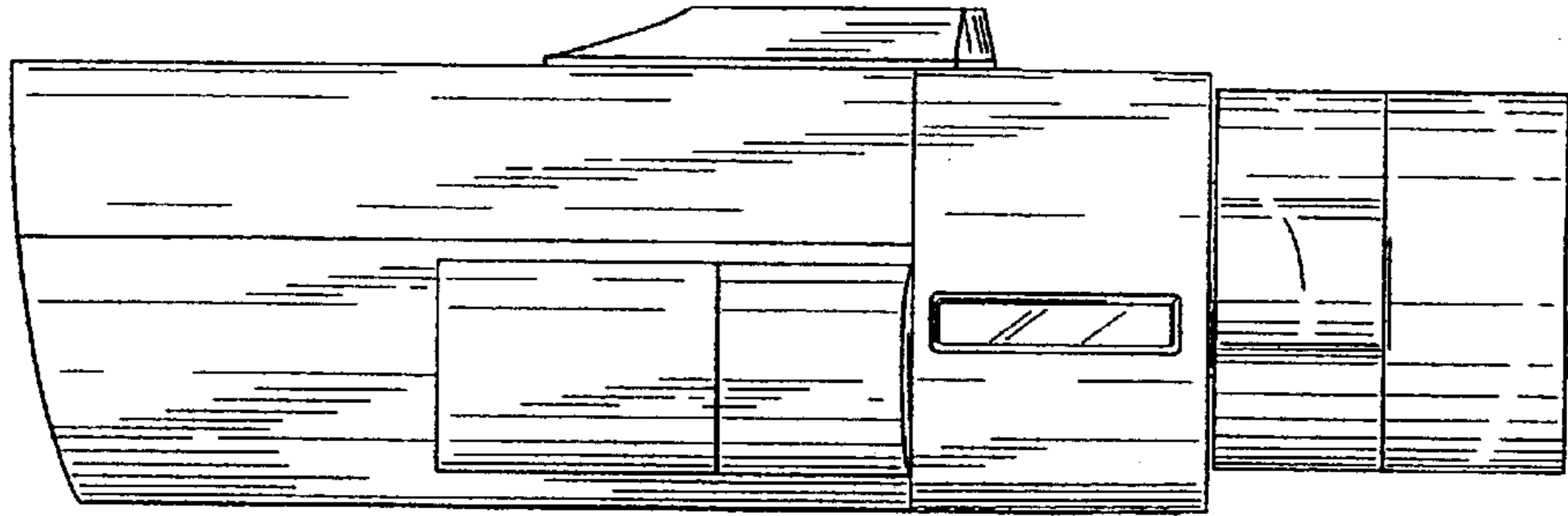


FIG. 5

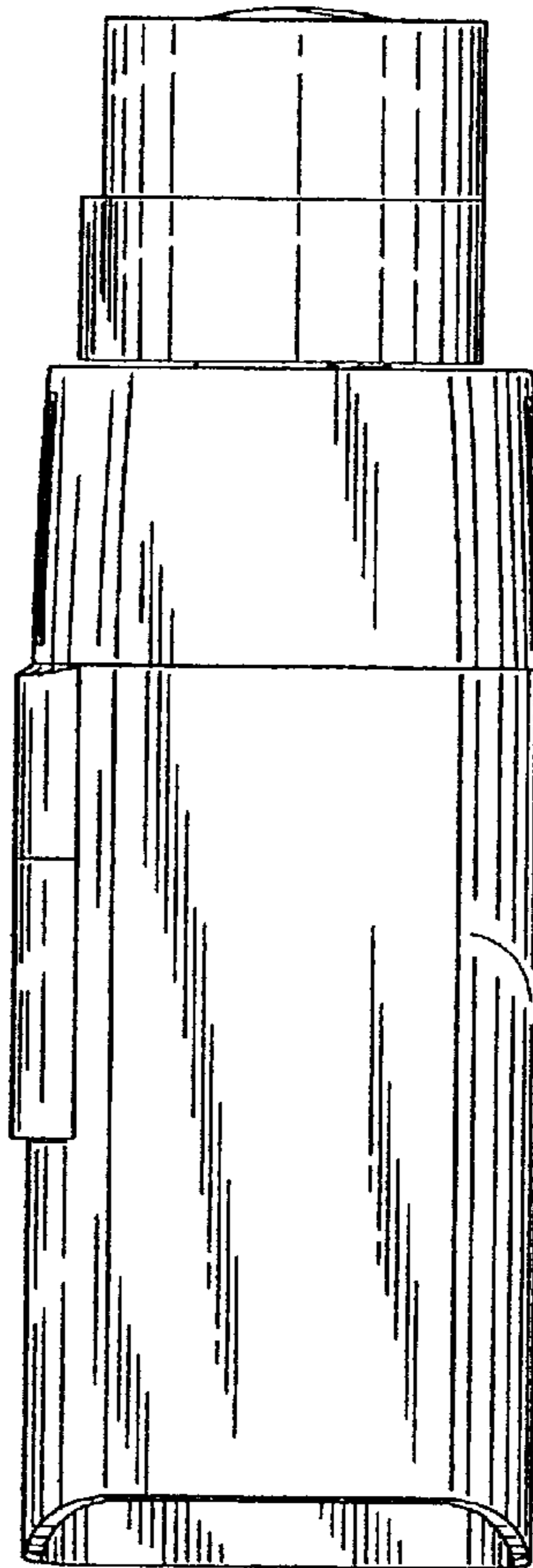


FIG. 6

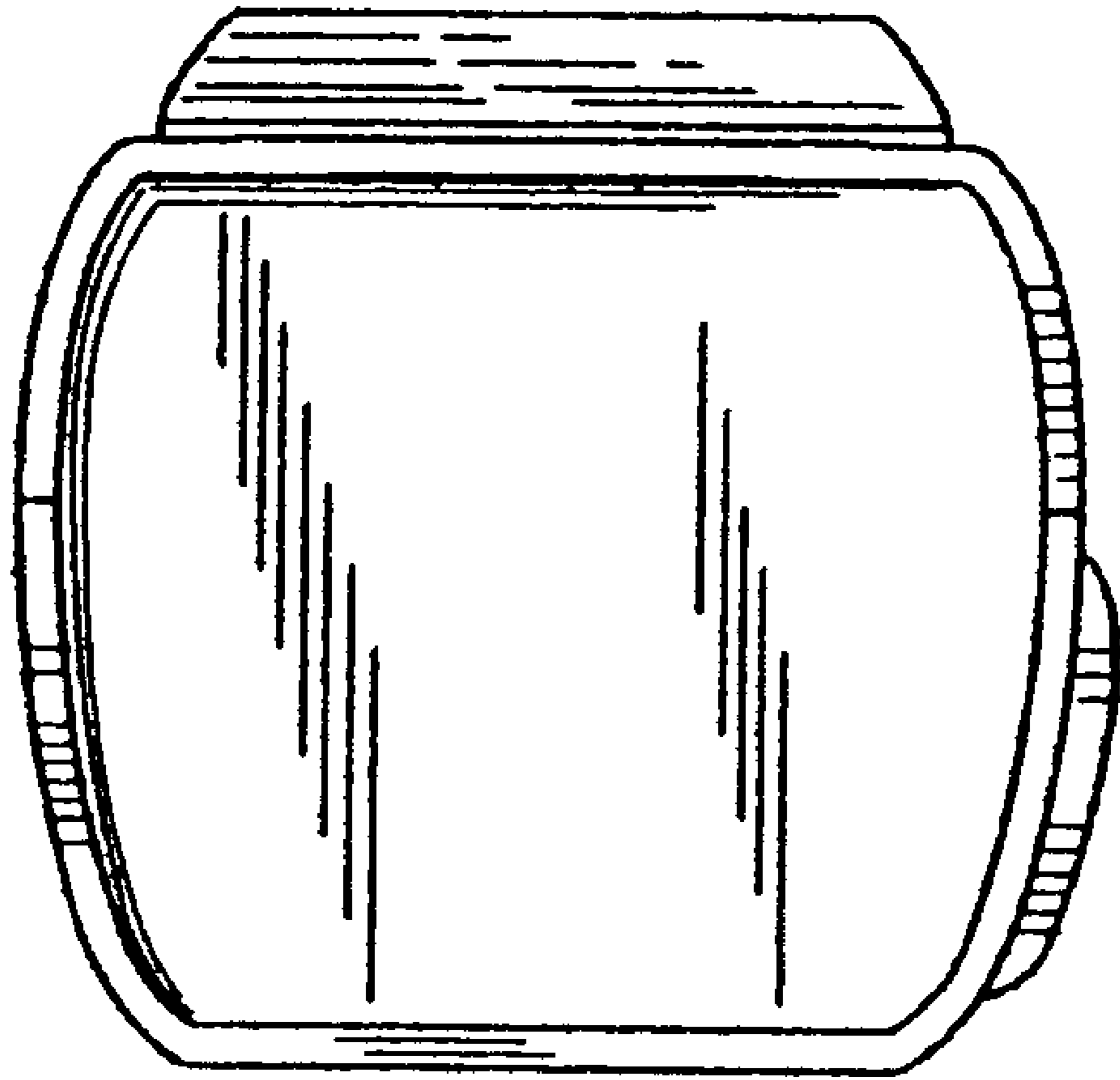


FIG. 7