

US00D540360S

(12) **United States Design Patent**
Yamakawa

(10) **Patent No.:** **US D540,360 S**
(45) **Date of Patent:** **** Apr. 10, 2007**

(54) **SURVEILLANCE CAMERA**

(75) Inventor: **Yasuki Yamakawa**, Yokosuka (JP)

(73) Assignee: **Matsushita Electric Industrial Co., Ltd.**, Osaka (JP)

(**) Term: **14 Years**

(21) Appl. No.: **29/239,253**

(22) Filed: **Sep. 28, 2005**

(30) **Foreign Application Priority Data**

Jul. 28, 2005 (JP) 2005-021923

(51) **LOC (8) Cl.** **16-01**

(52) **U.S. Cl.** **D16/203**

(58) **Field of Classification Search** D16/200–205,
D16/208, 218; 348/143, 151, 373–376; 396/419,
396/427, 535–541

See application file for complete search history.

(56) **References Cited**

U.S. PATENT DOCUMENTS

4,283,743 A * 8/1981 Kaiser 348/373
4,394,692 A * 7/1983 Randmae et al. 348/143
4,485,407 A 11/1984 Bohm et al.
D307,915 S * 5/1990 Kuester, III D16/203
D366,271 S 1/1996 Hasegawa
D373,593 S * 9/1996 Hiroko et al. D16/203

D410,936 S 6/1999 Isono
D416,272 S * 11/1999 Adachi D16/203
D426,844 S * 6/2000 Fujii D16/203
D470,520 S * 2/2003 Yamakawa et al. D16/203
D472,913 S 4/2003 Rupe
6,728,480 B1 * 4/2004 Maeda et al. 396/427
D489,744 S 5/2004 Muto
D522,035 S * 5/2006 Muto D16/203
D529,063 S * 9/2006 Cheng D16/203
D531,200 S * 10/2006 Taneno et al. D16/203

* cited by examiner

Primary Examiner—Adir Aronovich

(74) *Attorney, Agent, or Firm*—Brinks Hofer Gilson & Lione

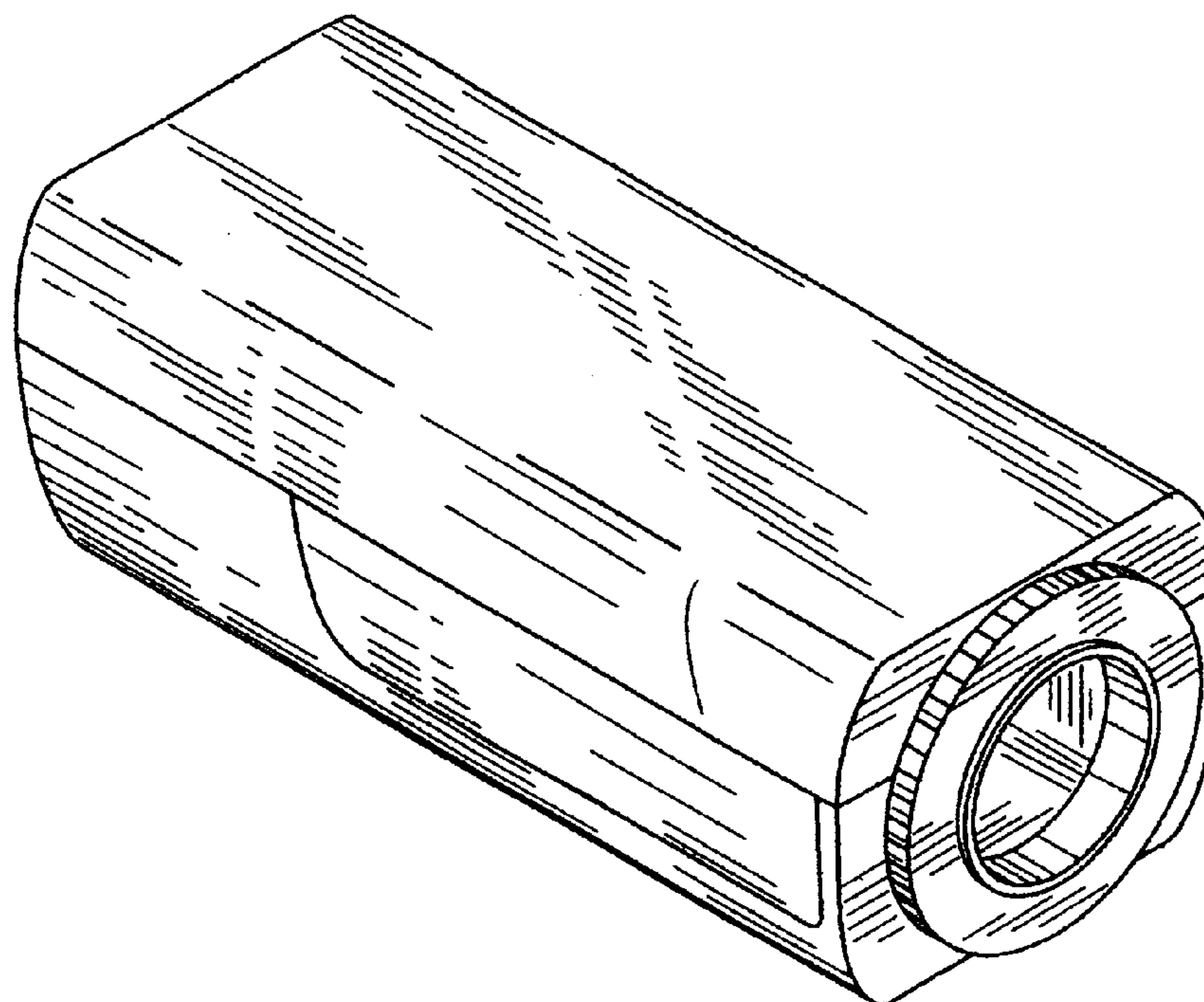
(57) **CLAIM**

I claim the ornamental design for a surveillance camera, as shown and described.

DESCRIPTION

FIG. 1 is a top, front and left side perspective view of a surveillance camera of the present invention;
FIG. 2 is a front view thereof;
FIG. 3 is a right side view thereof;
FIG. 4 is a top view thereof;
FIG. 5 is a left side view thereof;
FIG. 6 is a bottom view thereof; and,
FIG. 7 is a rear view thereof.

1 Claim, 4 Drawing Sheets



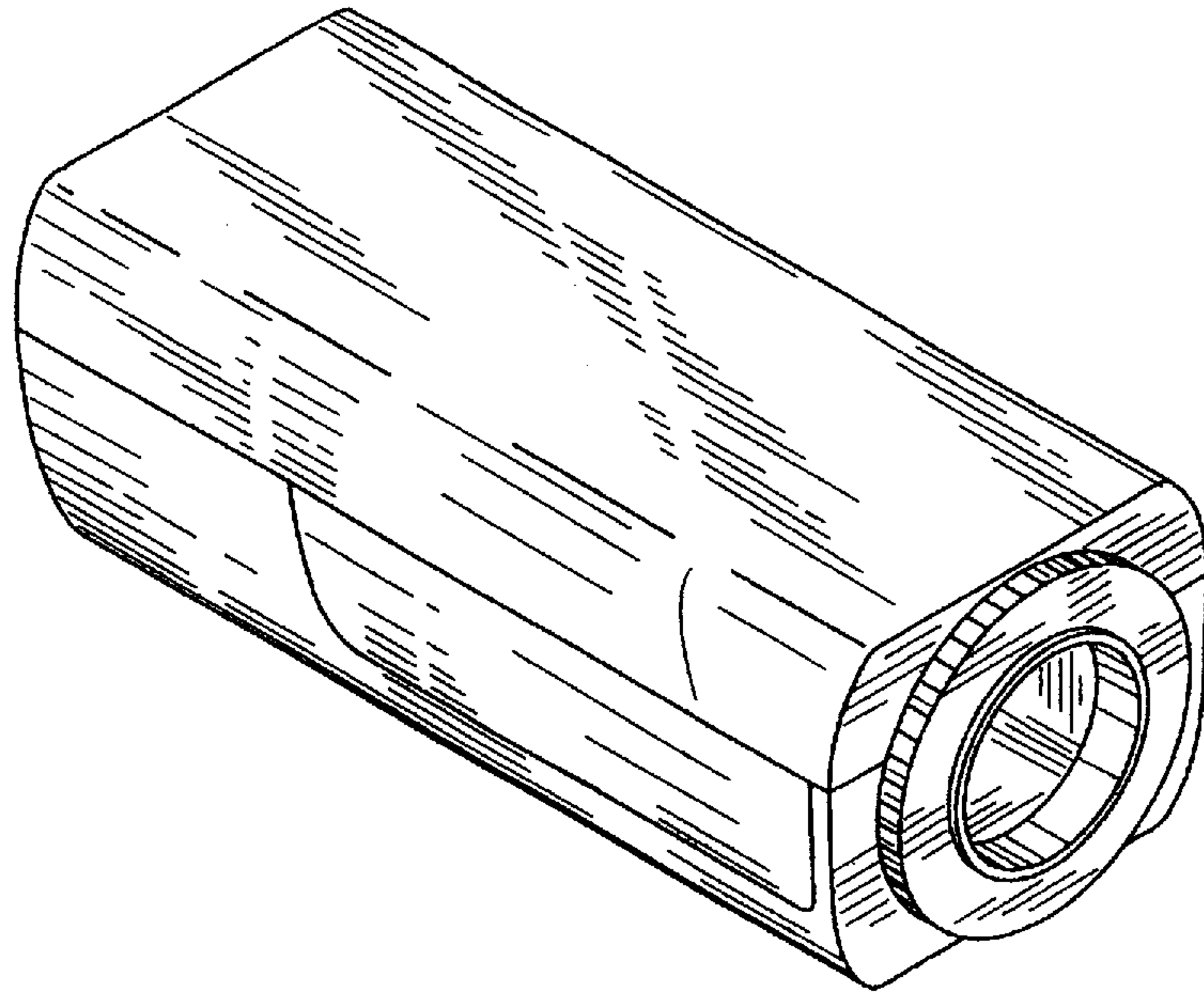


FIG. 1

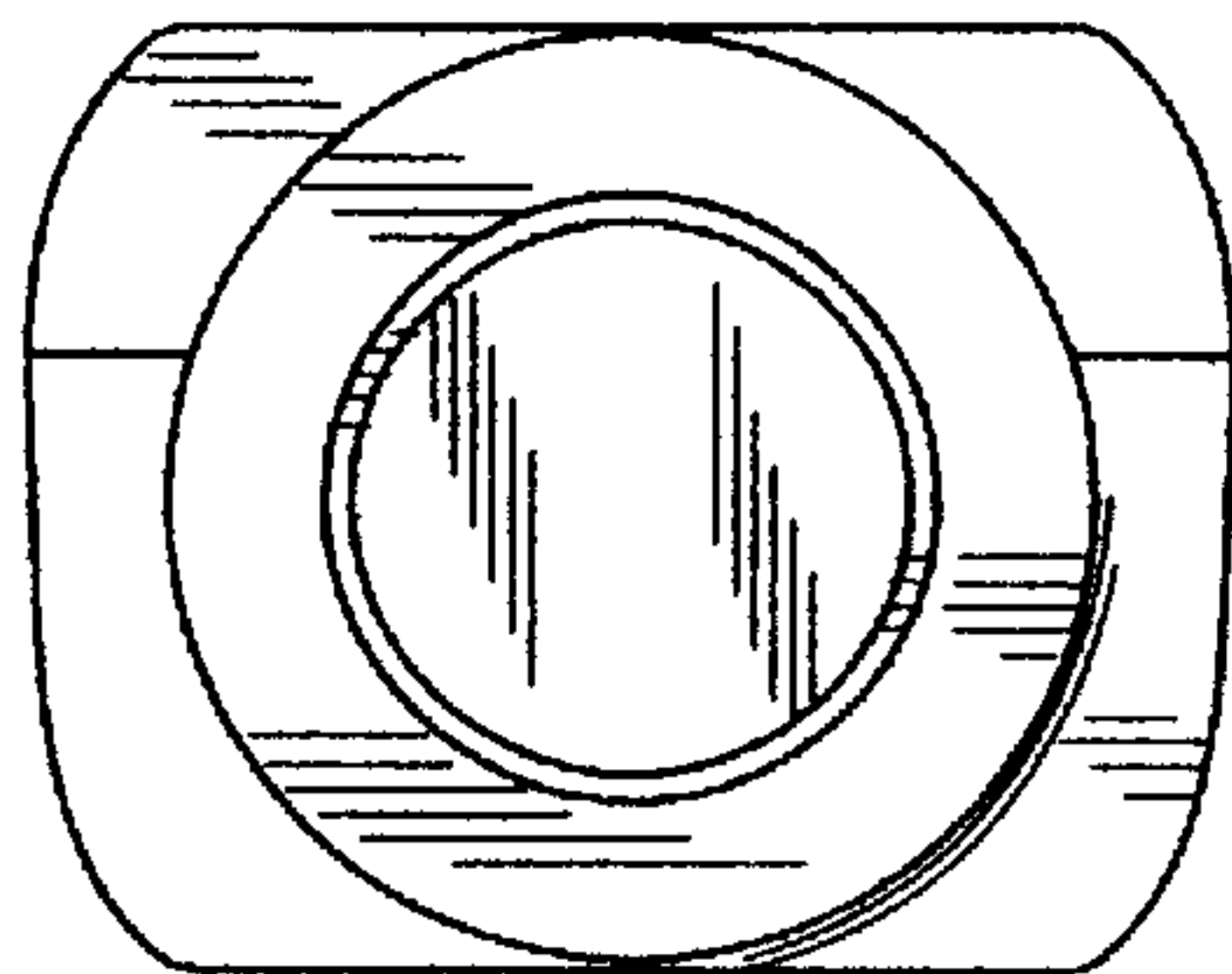


FIG. 2

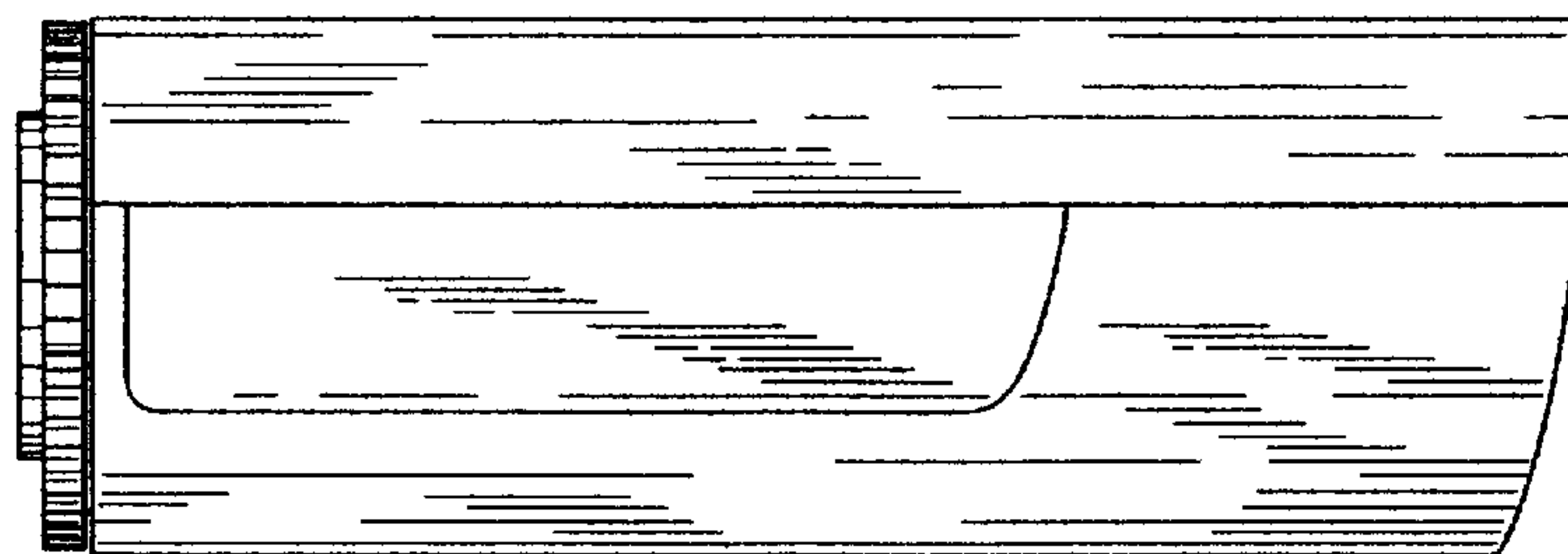


FIG. 3

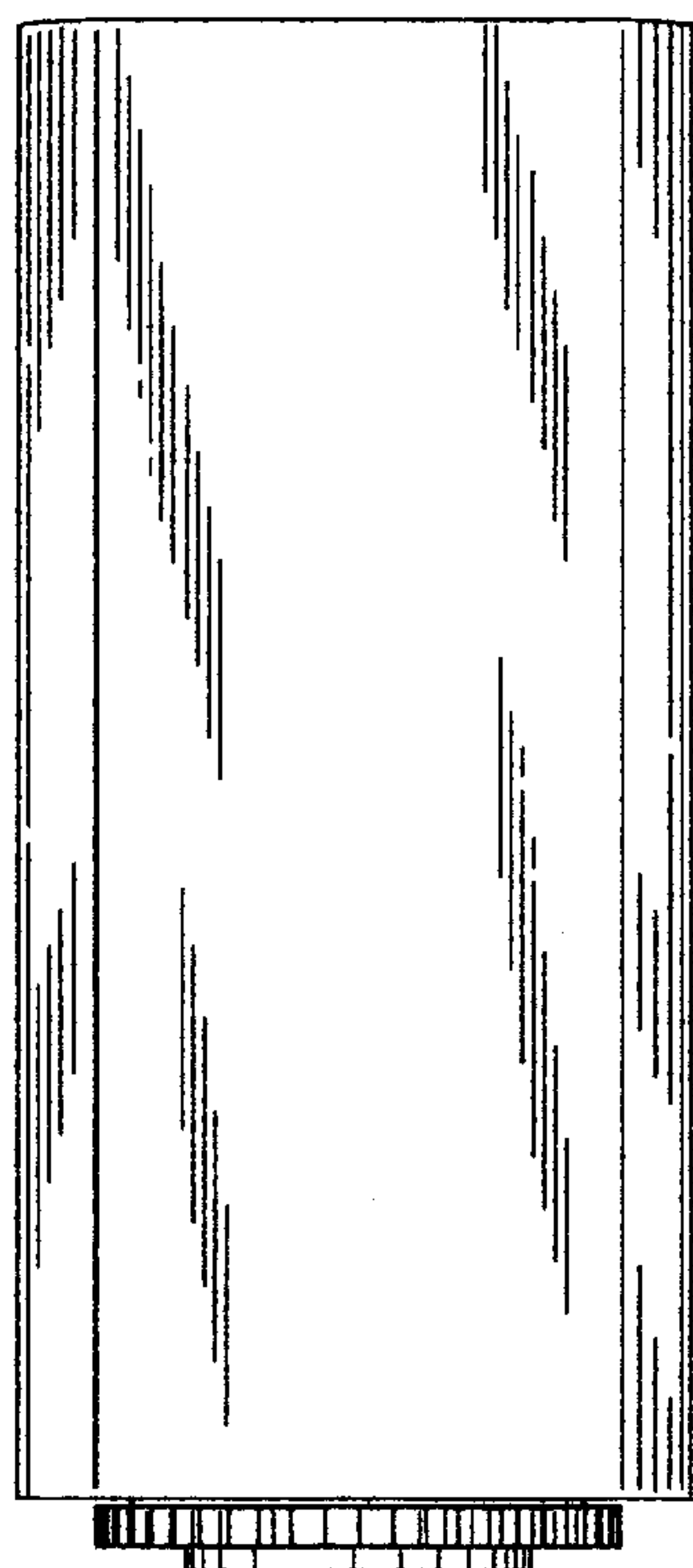


FIG. 4

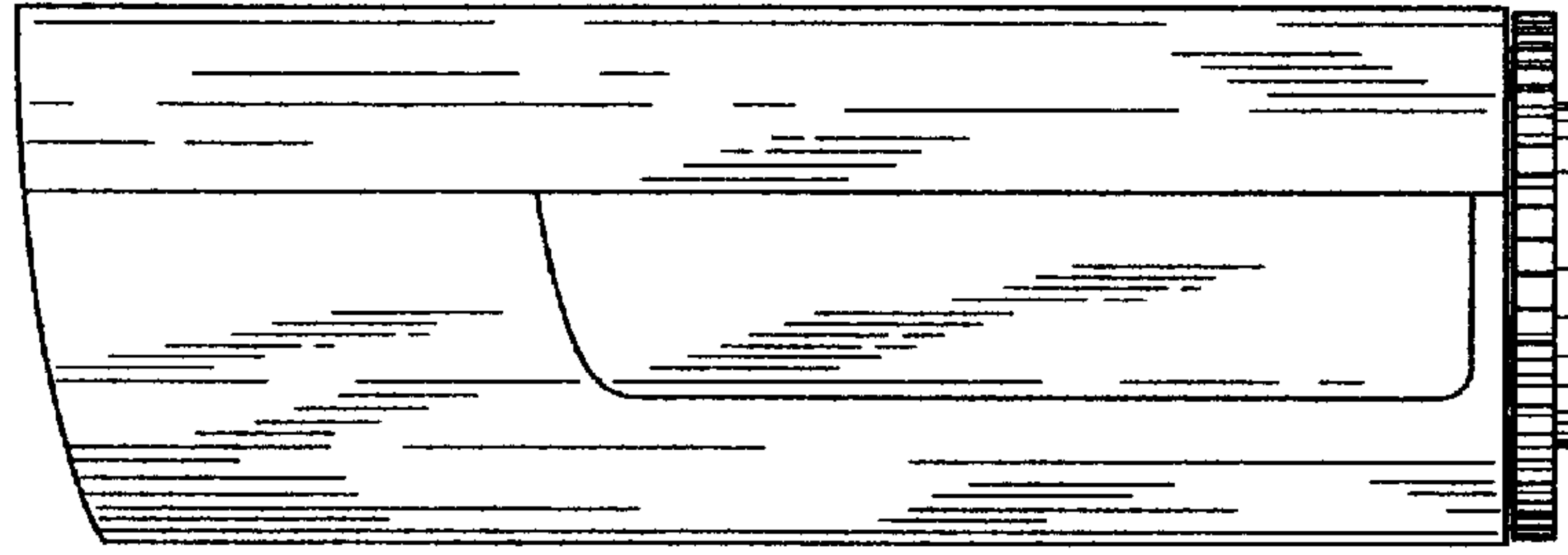


FIG. 5

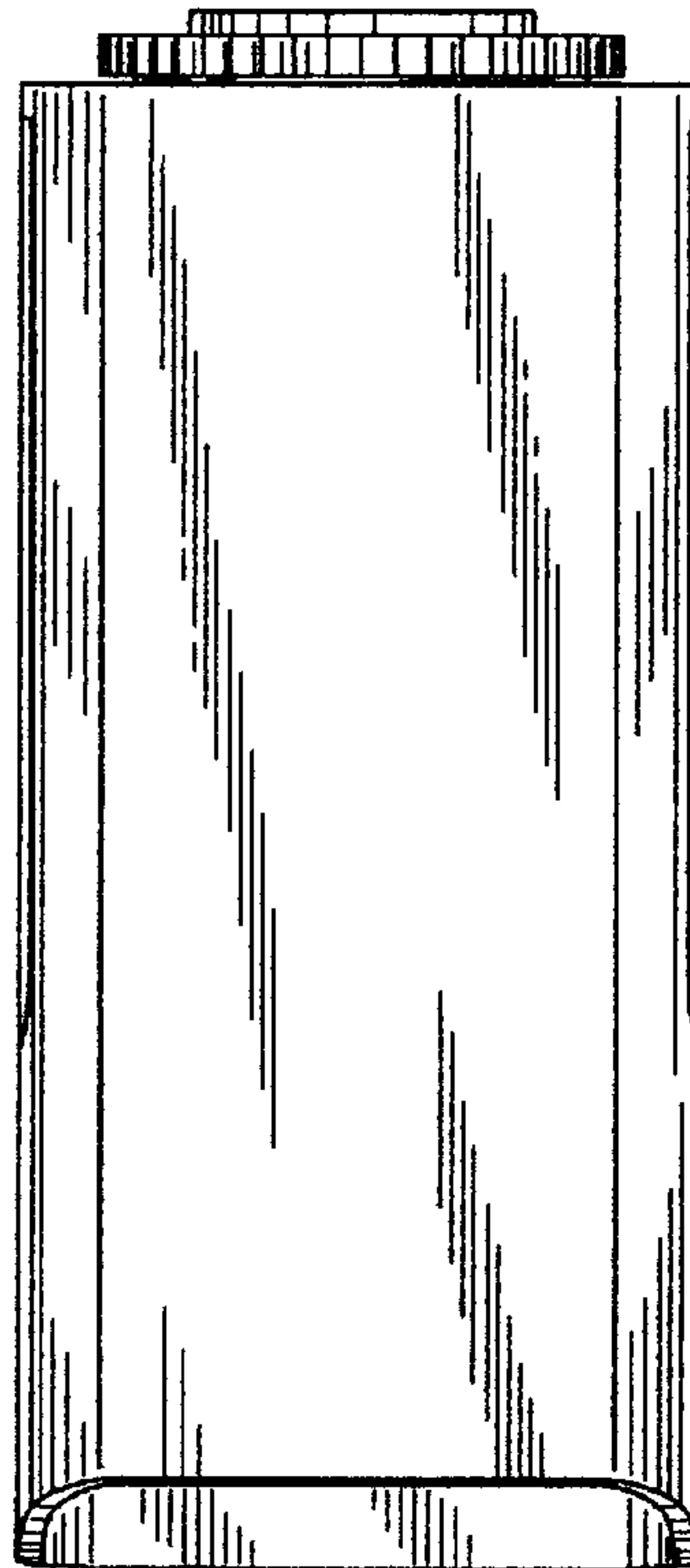


FIG. 6

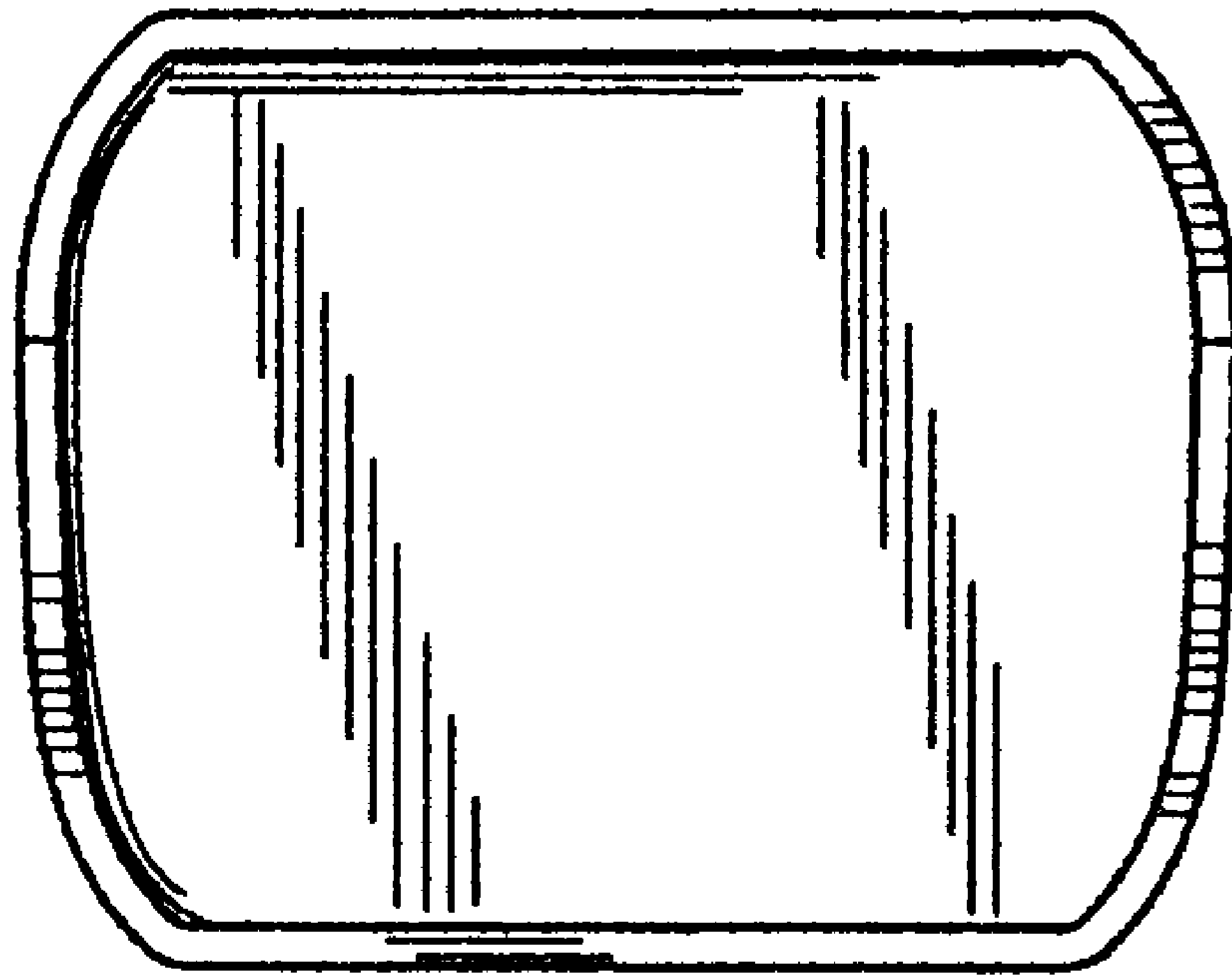


FIG. 7