



US00D540358S

(12) **United States Design Patent**  
**Orbach**

(10) **Patent No.:** **US D540,358 S**

(45) **Date of Patent:** **\*\* Apr. 10, 2007**

(54) **CAMERA HOUSING**

(76) **Inventor:** **Chaim Sinai Orbach**, 144 Sunset Rd.,  
Lakewood, NJ (US) 08701

(\*\*) **Term:** **14 Years**

(21) **Appl. No.:** **29/238,211**

(22) **Filed:** **Sep. 13, 2005**

(51) **LOC (8) Cl.** ..... **16-01**

(52) **U.S. Cl.** ..... **D16/202**

(58) **Field of Classification Search** ..... D16/200–205,  
D16/208, 218; 248/918; 348/14.01–14.1,  
348/373–376; 358/909.1; 396/535–541  
See application file for complete search history.

(56) **References Cited**

**U.S. PATENT DOCUMENTS**

- 5,900,907 A \* 5/1999 Malloy et al. .... 348/14.1
- 6,239,841 B1 \* 5/2001 Verstockt et al. .... 348/373
- D452,259 S \* 12/2001 Choi ..... D16/202
- D455,768 S \* 4/2002 Tsang et al. .... D16/202

- D500,067 S \* 12/2004 Liu ..... D16/202
- D507,007 S \* 7/2005 Sitoh et al. .... D16/202
- D527,755 S \* 9/2006 Wu ..... D16/202

\* cited by examiner

*Primary Examiner*—Adir Aronovich

(74) *Attorney, Agent, or Firm*—Kirschstein, et al.

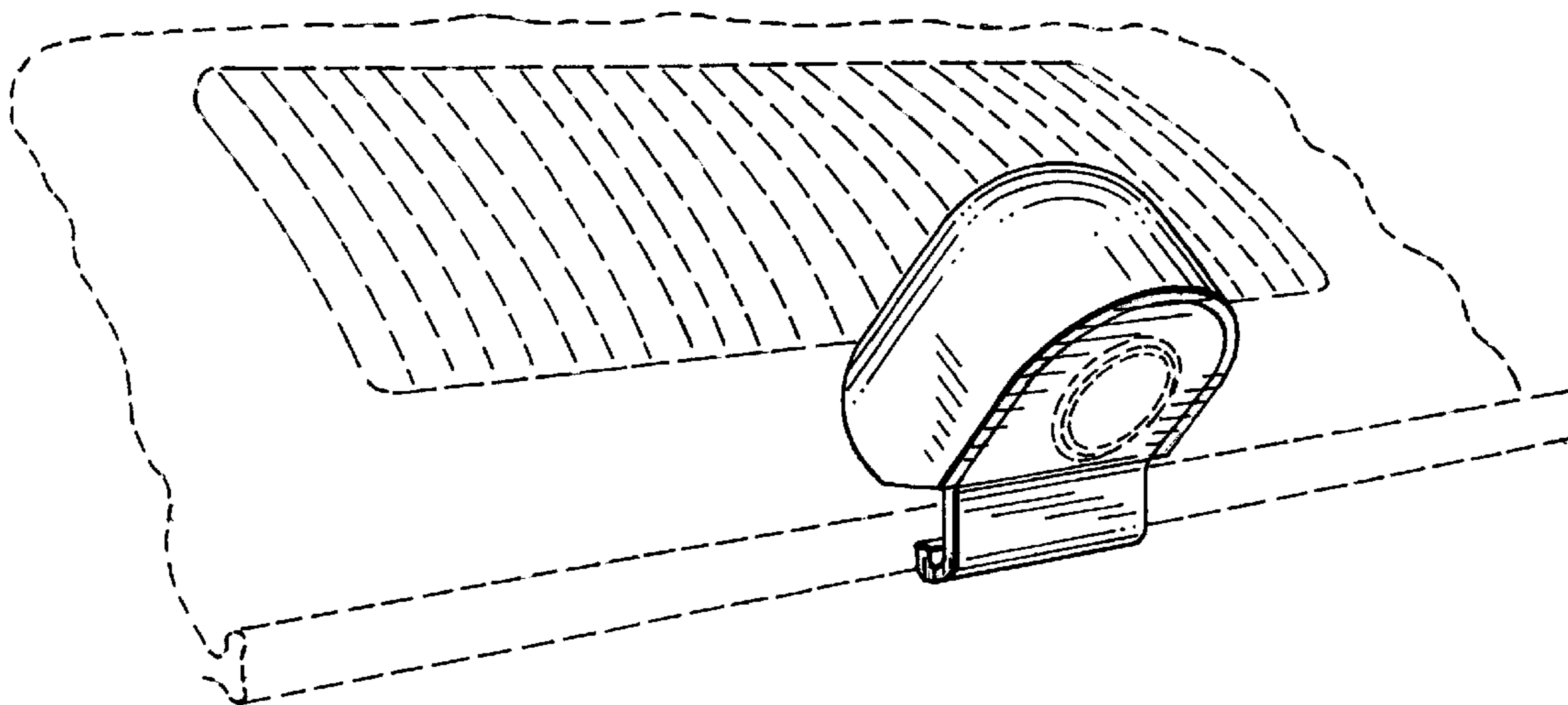
(57) **CLAIM**

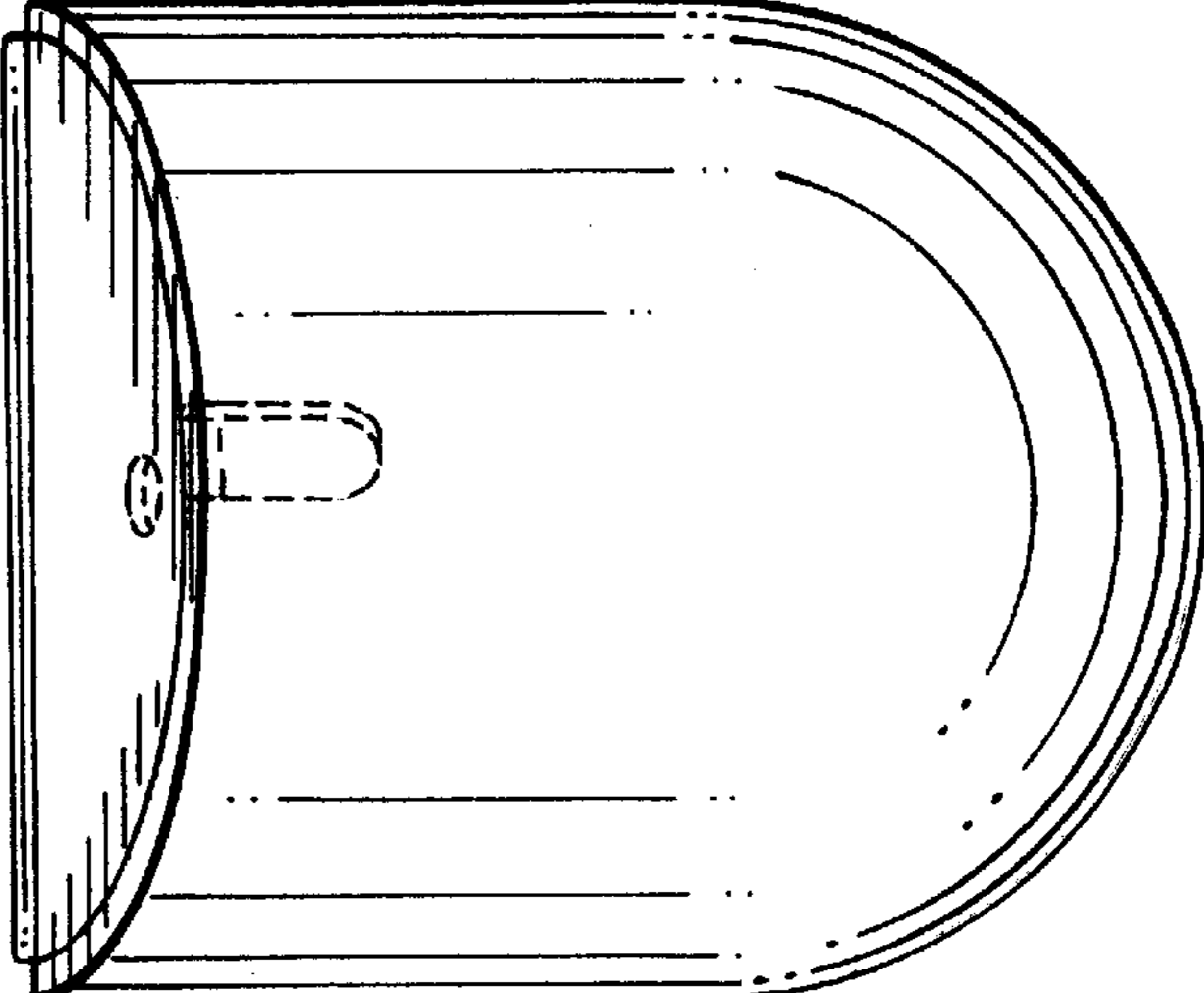
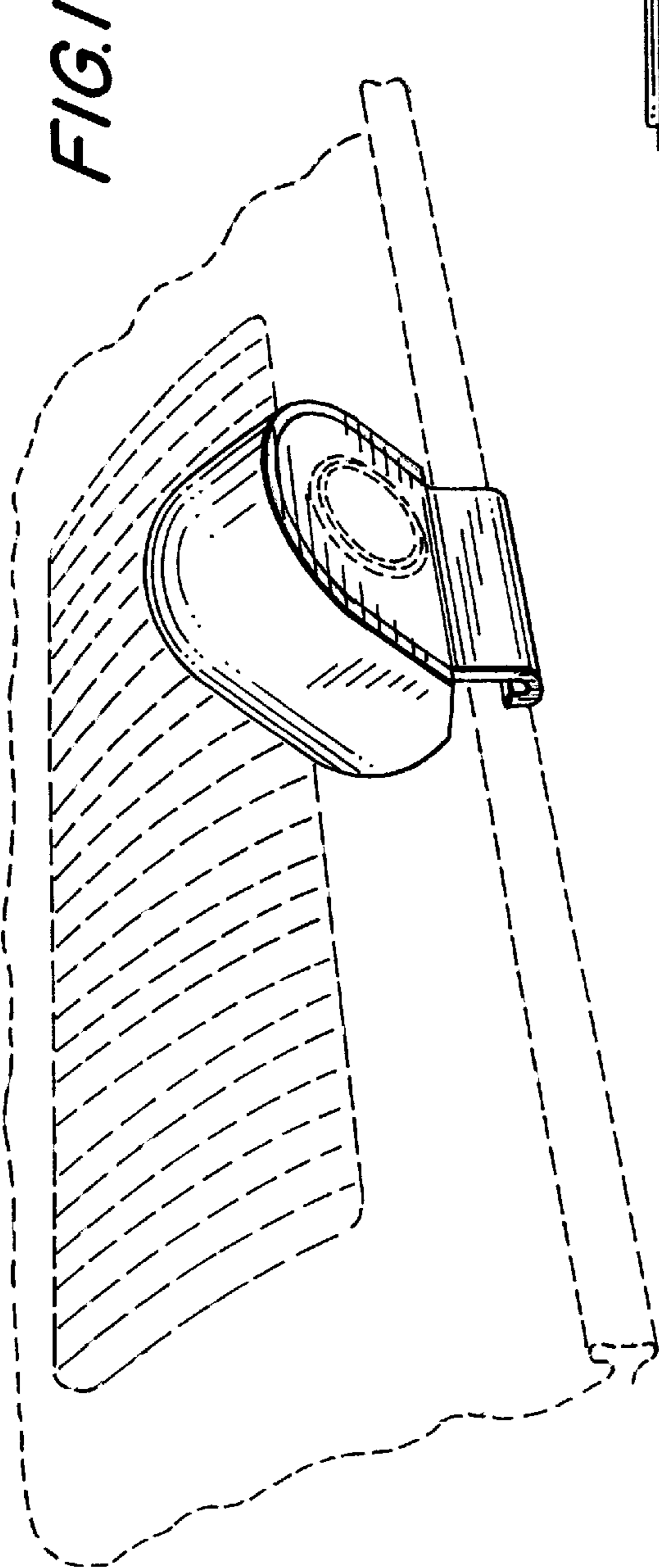
The ornamental design for a camera housing, as shown and described.

**DESCRIPTION**

FIG. 1 is a front, side and top, perspective view of a camera housing according to my new design;  
 FIG. 2 is a rear elevational view thereof;  
 FIG. 3 is a side elevational view thereof, the opposite side being a mirror image;  
 FIG. 4 is a bottom plan view thereof; and,  
 FIG. 5 is a front elevational view thereof.  
 The dashed lines throughout the views are for environment purposes only and form no part of this design.

**1 Claim, 2 Drawing Sheets**





*FIG. 2*

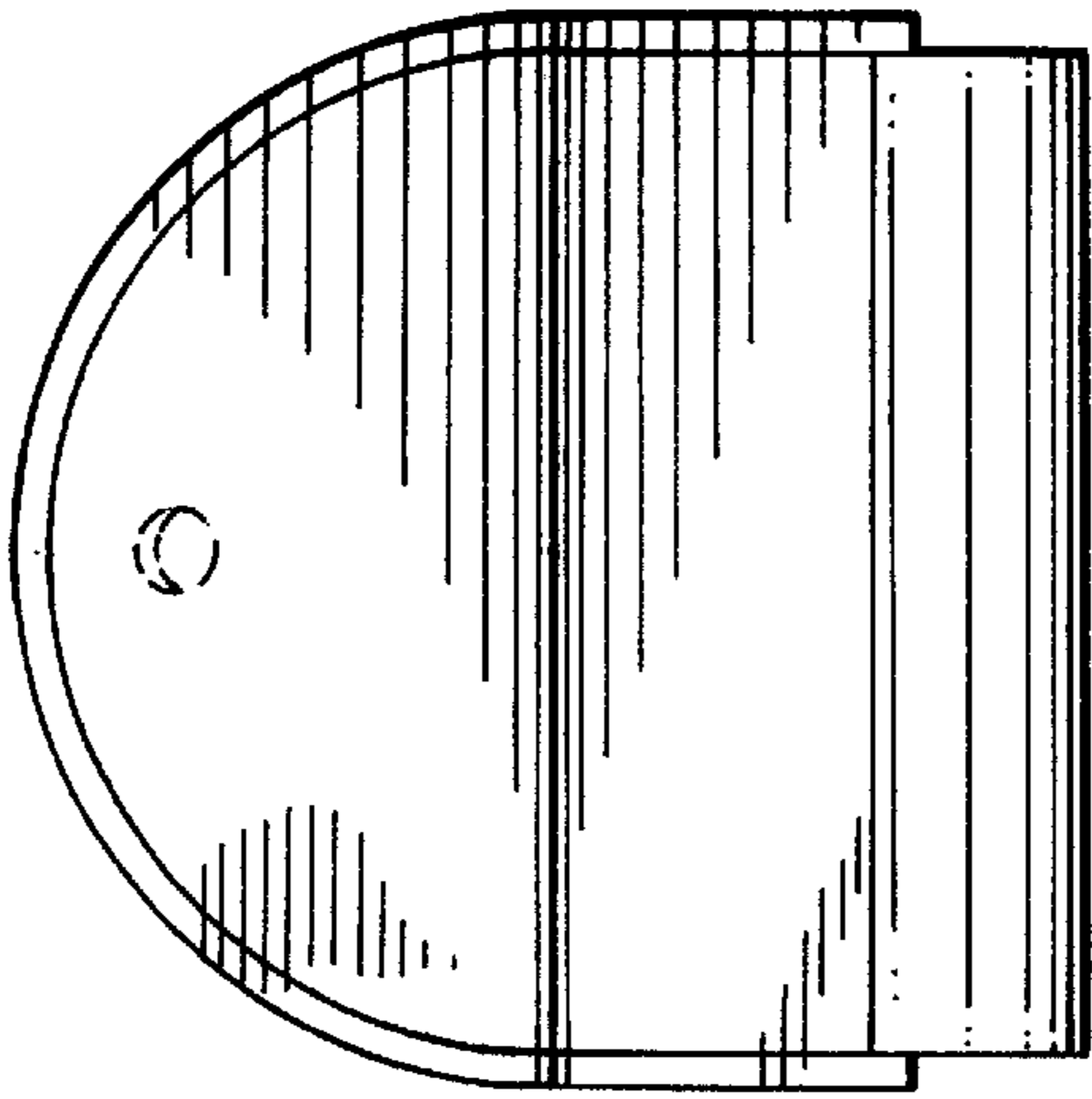


FIG. 4

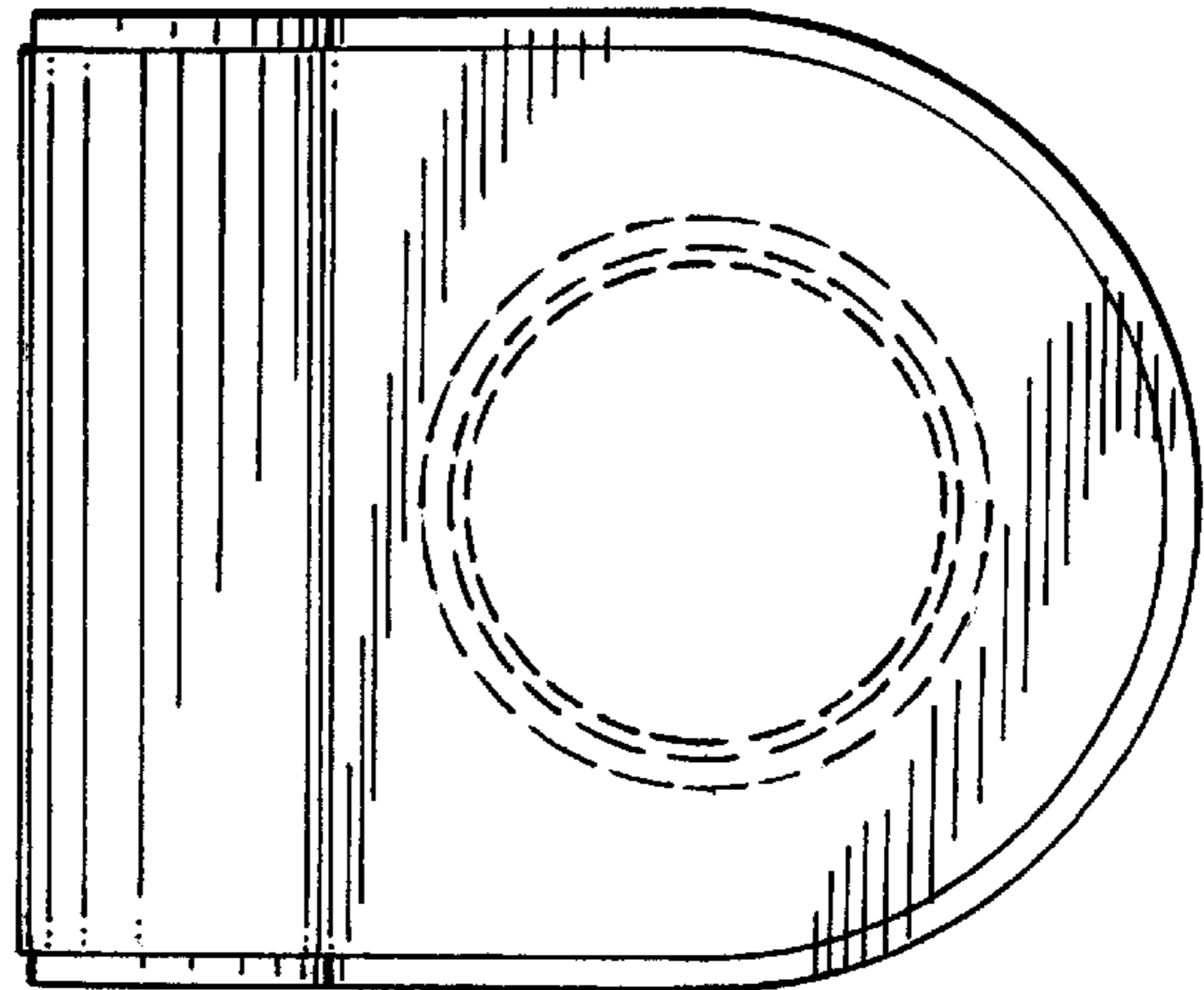


FIG. 5

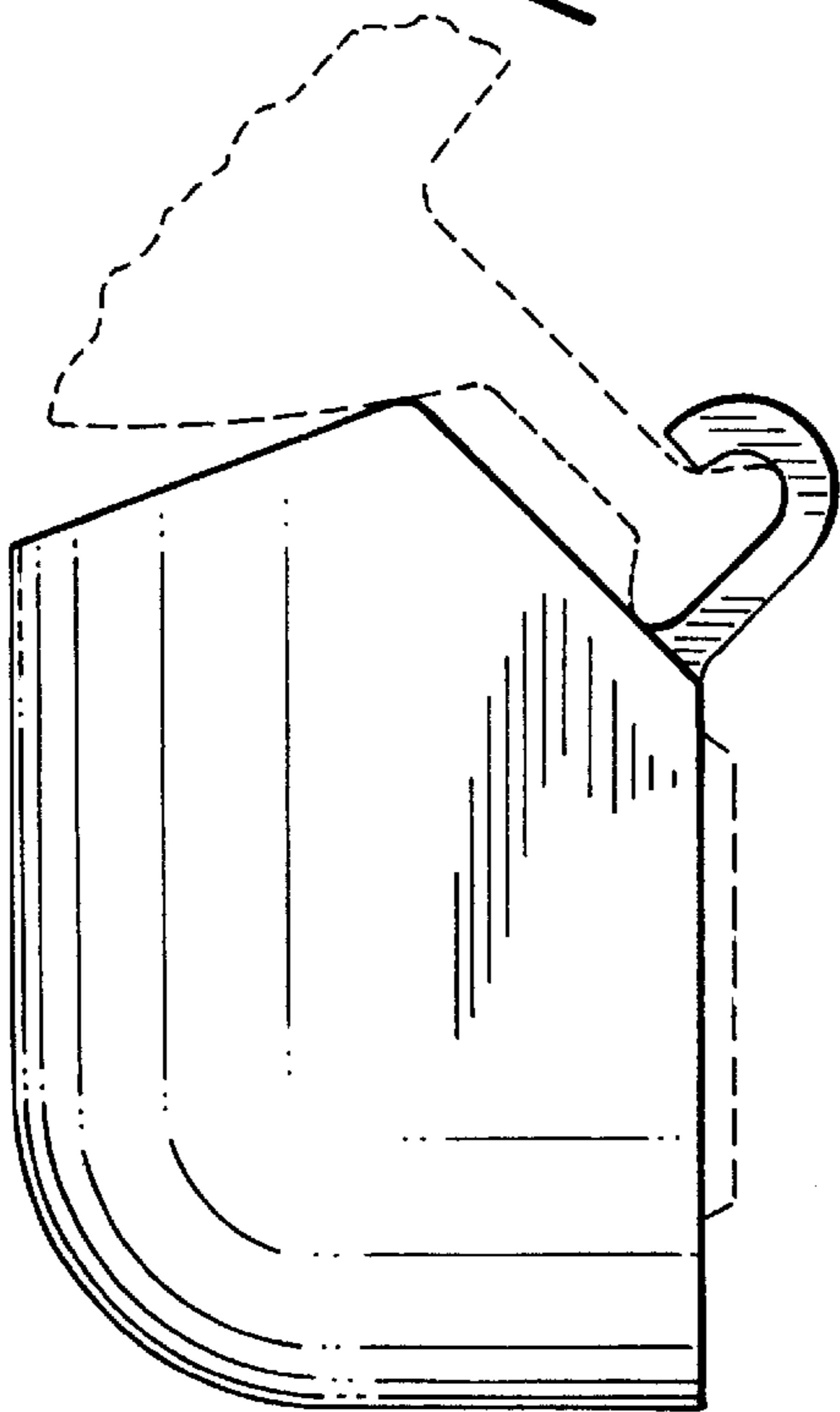


FIG. 3