



US00D540356S

(12) **United States Design Patent**
Ina et al.

(10) **Patent No.:** **US D540,356 S**

(45) **Date of Patent:** **** Apr. 10, 2007**

(54) **ELECTRONIC CAMERA**

(75) Inventors: **Takao Ina**, Tokyo (JP); **Toshita Hara**, Tokyo (JP)

(73) Assignee: **Fuji Photo Film Co., Ltd.**, Kanagawa (JP)

(**) Term: **14 Years**

(21) Appl. No.: **29/236,524**

(22) Filed: **Aug. 18, 2005**

(30) **Foreign Application Priority Data**

Feb. 18, 2005 (JP) 2005-004484

(51) **LOC (8) Cl.** **16-01**

(52) **U.S. Cl.** **D16/202**

(58) **Field of Classification Search** D16/200-205,
D16/208, 218; 348/373-376; 358/909.1;
396/535-541

See application file for complete search history.

(56) **References Cited**

U.S. PATENT DOCUMENTS

D349,110 S * 7/1994 Ohno D16/202

5,903,706 A * 5/1999 Wakabayashi et al. 348/373
D410,663 S * 6/1999 Ogasawara D16/202
6,445,417 B1 * 9/2002 Yoshida et al. 348/374
D476,023 S * 6/2003 Sumita D16/202
D496,953 S * 10/2004 Wu et al. D16/202
D508,937 S * 8/2005 Sadatsuki D16/218

* cited by examiner

Primary Examiner—Adir Aronovich

(74) *Attorney, Agent, or Firm*—Young & Thompson

(57) **CLAIM**

The ornamental design for an electronic camera, as shown.

DESCRIPTION

FIG. 1 is a top, front and side perspective view of an electronic camera showing our new design; FIG. 2 is a front elevational view thereof; FIG. 3 is a rear elevational view thereof; FIG. 4 is a top plan view thereof; FIG. 5 is a bottom plan view thereof; FIG. 6 is a side elevational view thereof from the left of FIG. 2; and, FIG. 7 is a side elevational view thereof from the right of FIG. 2.

1 Claim, 4 Drawing Sheets

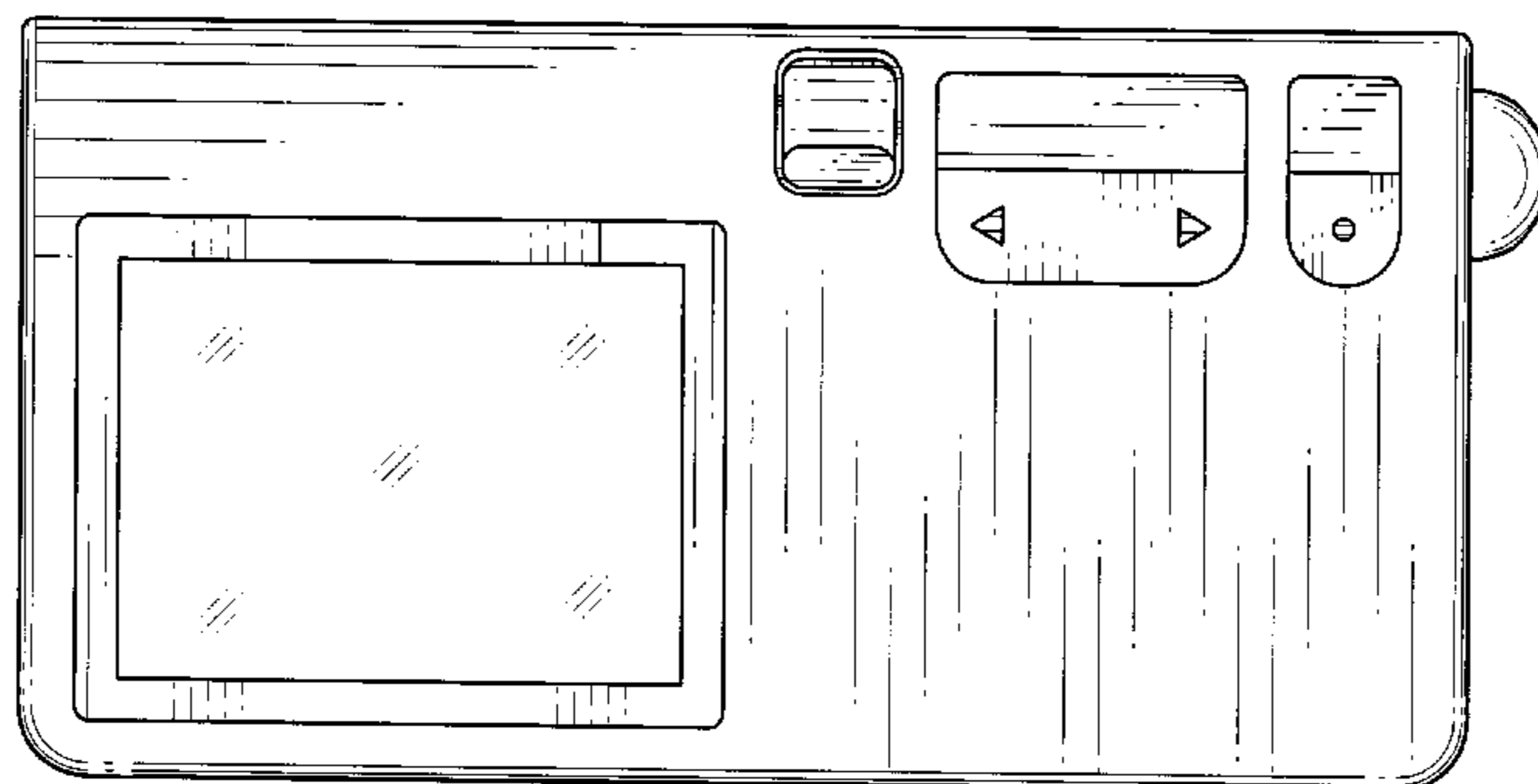
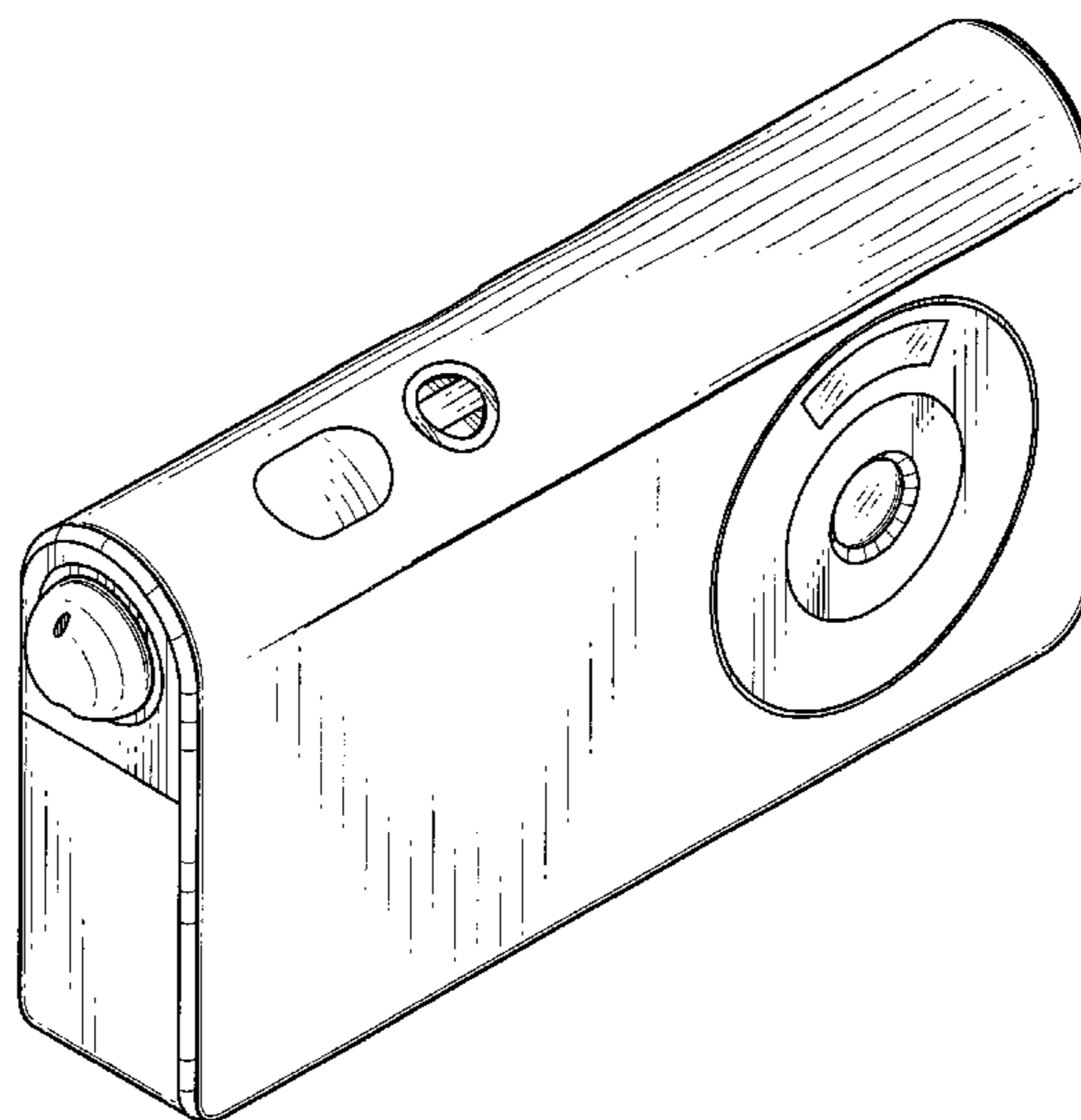


FIG. 1

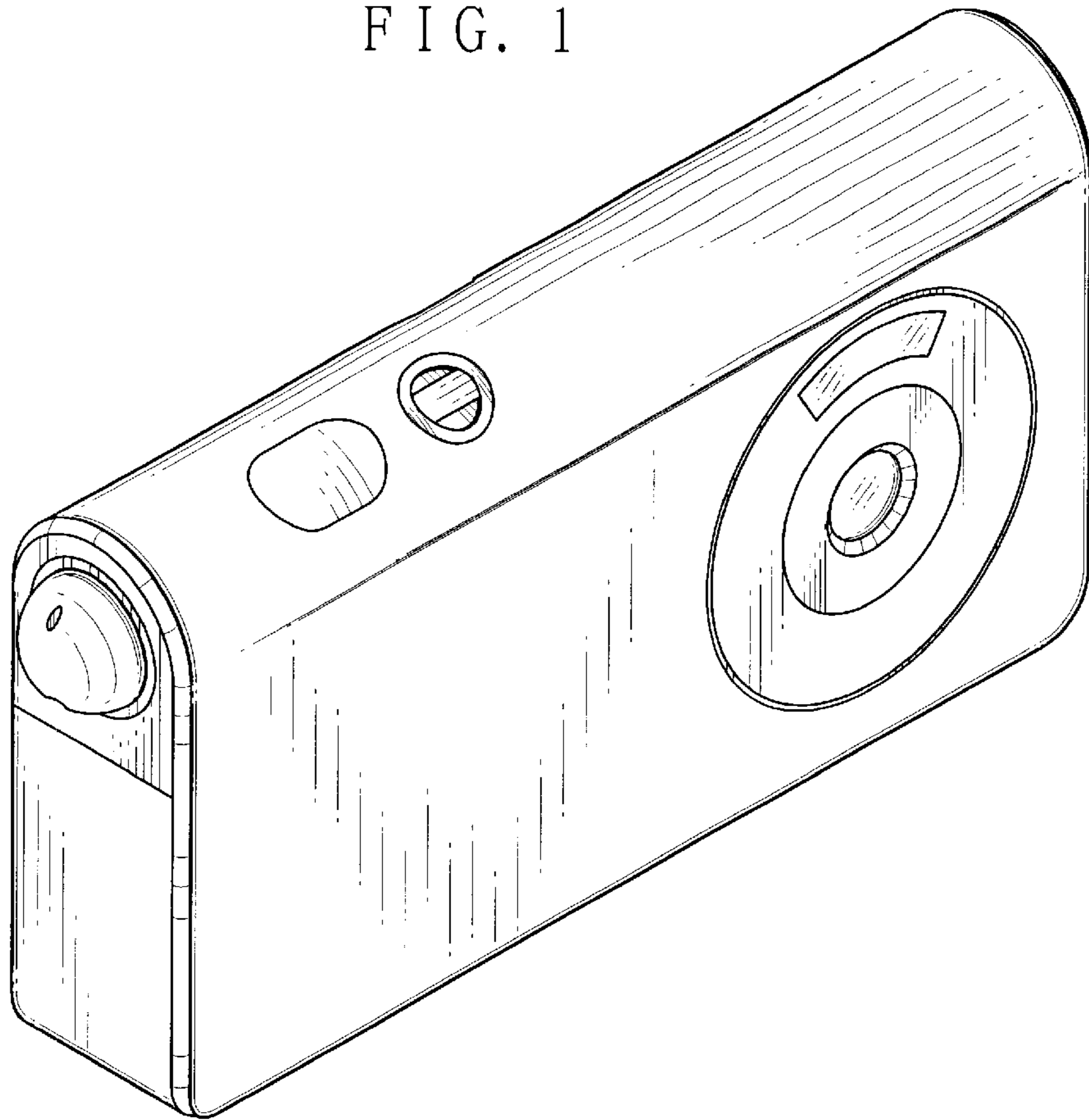


FIG. 2

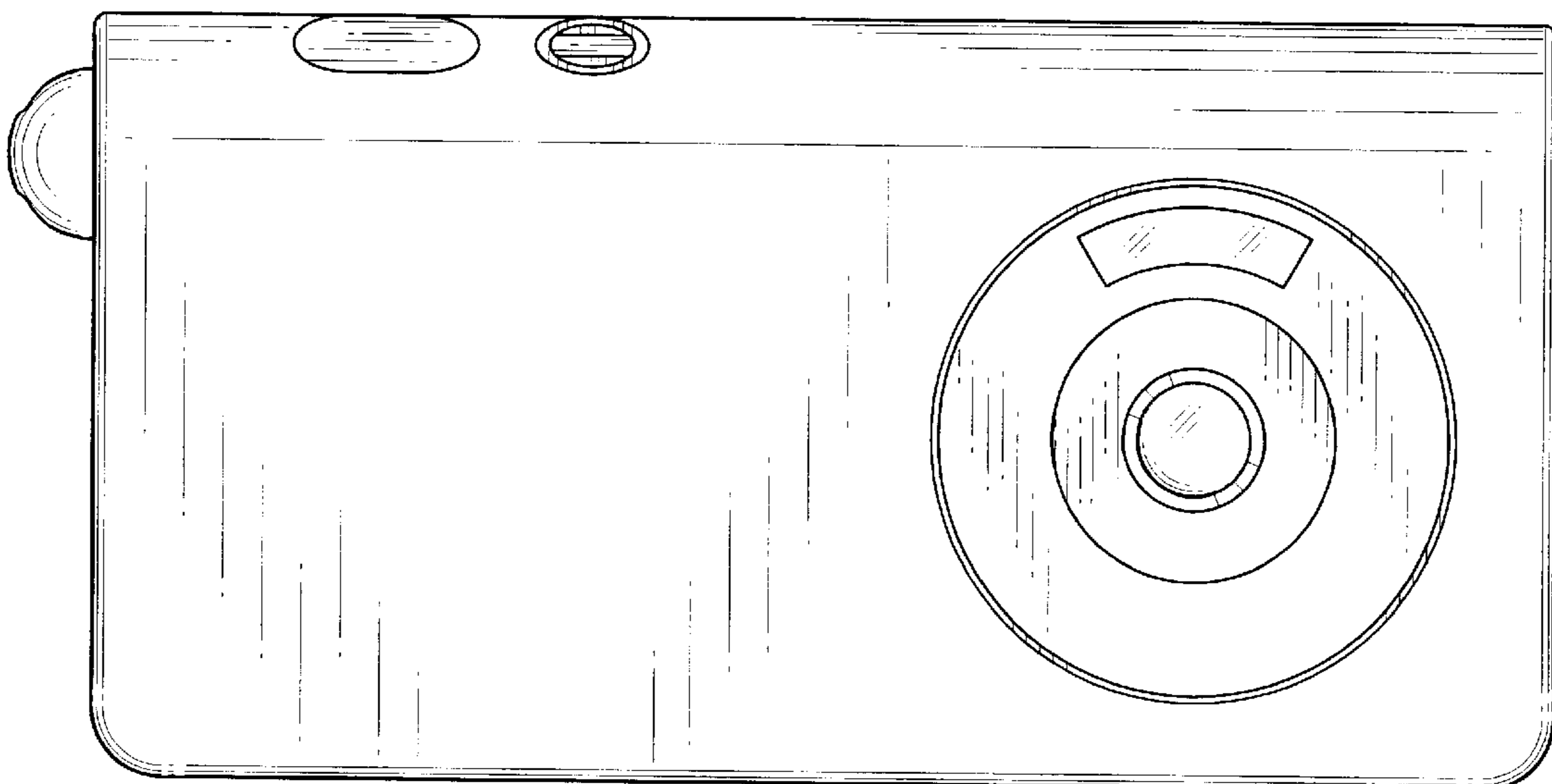


FIG. 3

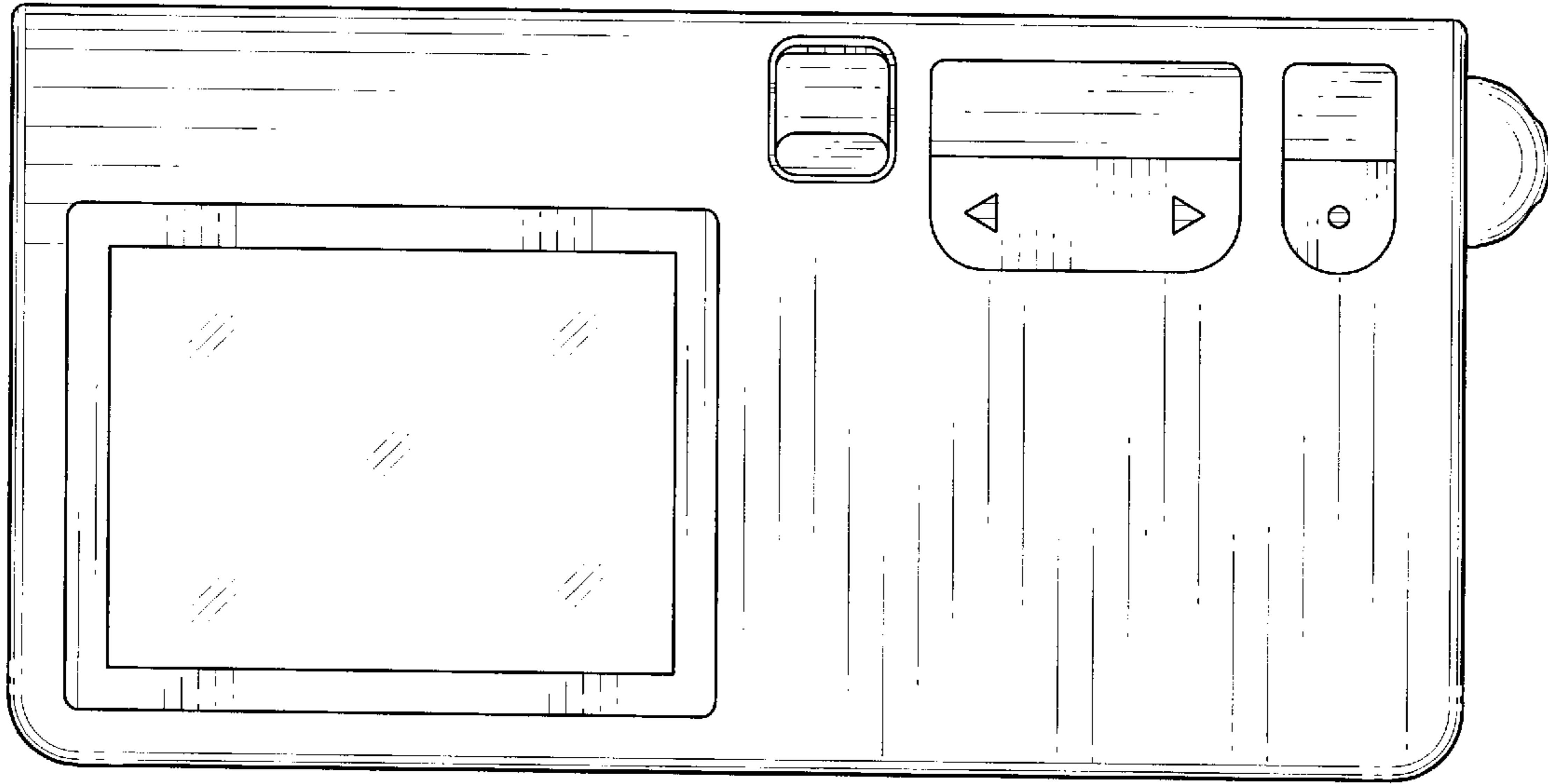


FIG. 4

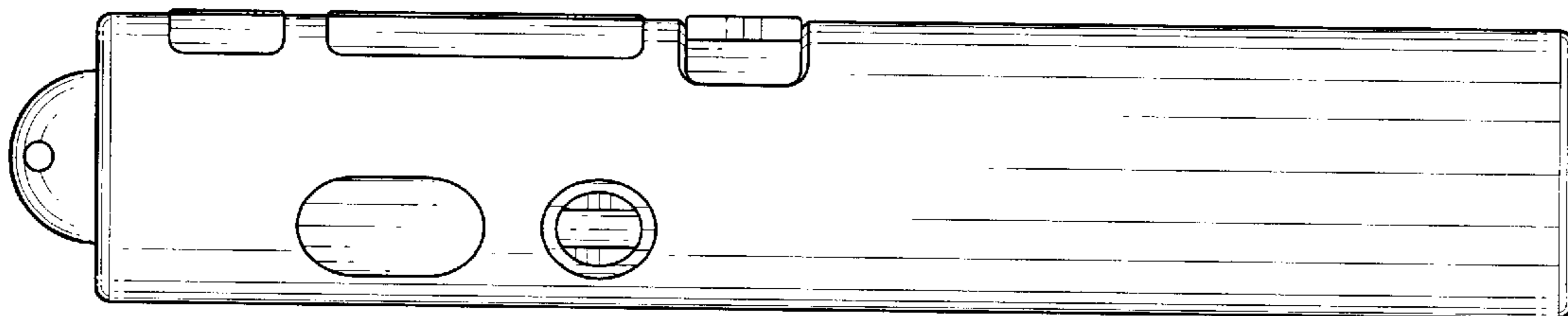


FIG. 5

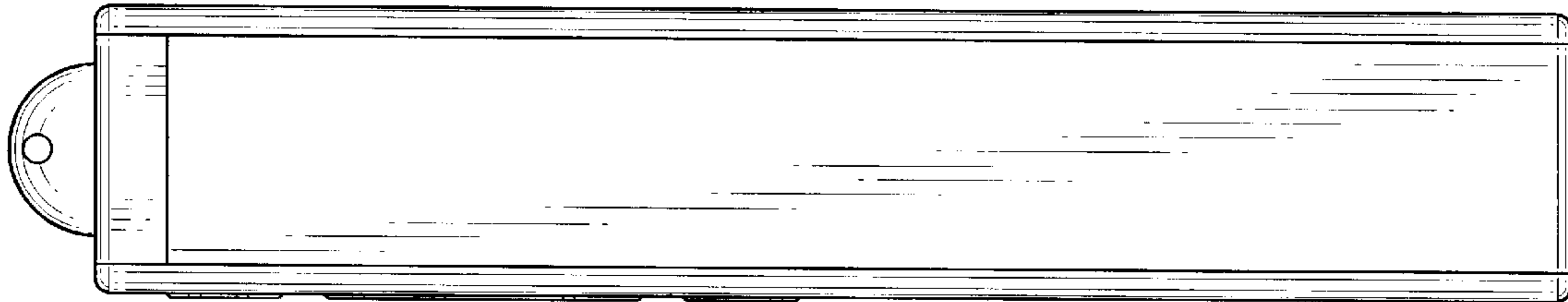


FIG. 6

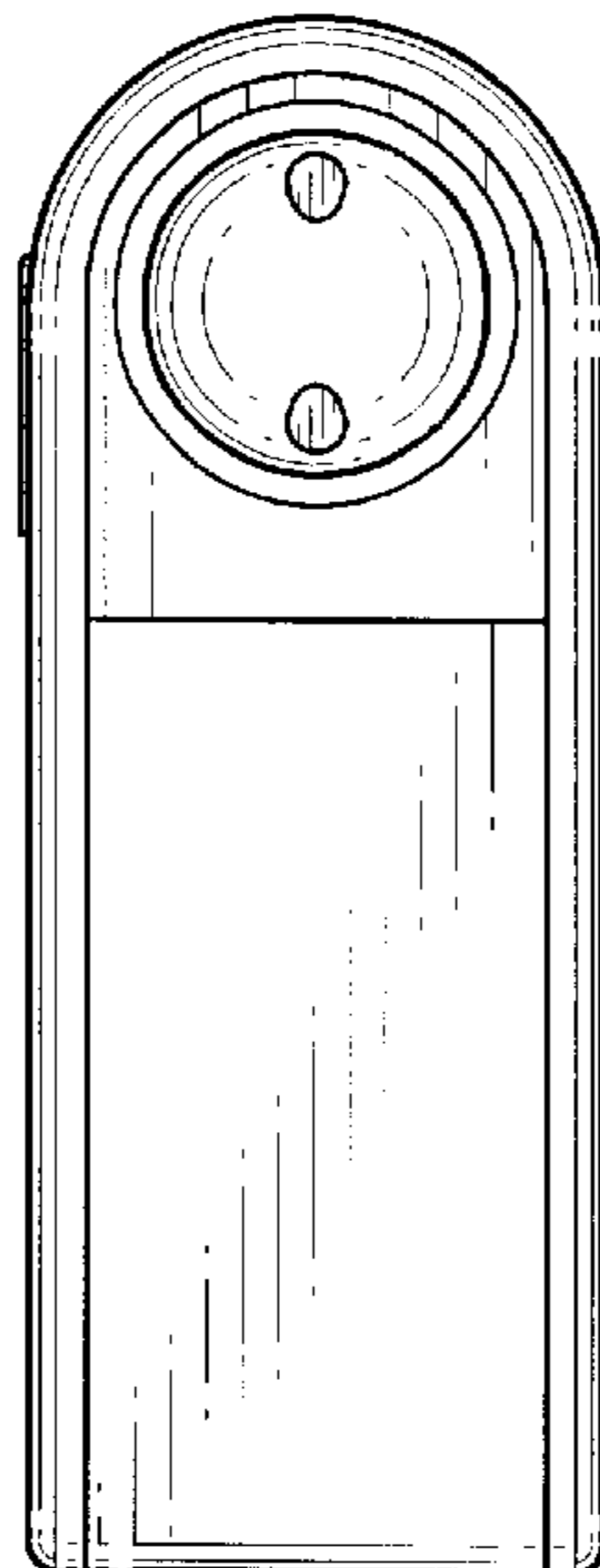


FIG. 7

