

US00D540353S

(12) **United States Design Patent**  
**Bunning**

(10) **Patent No.:** **US D540,353 S**

(45) **Date of Patent:** **\*\* Apr. 10, 2007**

(54) **AUGER**

(75) Inventor: **Robin Bunning**, Norfolk (GB)

(73) Assignee: **G.T. Bunning & Sons Limited** (GB)

(\*\*) Term: **14 Years**

(21) Appl. No.: **29/254,244**

(22) Filed: **Feb. 17, 2006**

(30) **Foreign Application Priority Data**

Oct. 25, 2005 (EM) ..... 000424460

(51) **LOC (8) Cl.** ..... **15-03**

(52) **U.S. Cl.** ..... **D15/29**

(58) **Field of Classification Search** ..... D15/7,  
D15/10-13, 17, 19, 21, 23, 27-29, 32; 37/252,  
37/257, 259; 198/657, 666, 677, 676; 56/220,  
56/14.5, 370, 372, 364; 172/532  
See application file for complete search history.

(56) **References Cited**

**U.S. PATENT DOCUMENTS**

2,320,723	A *	6/1943	Gaylord	.....	37/250
2,591,233	A *	4/1952	Browne	.....	175/385
2,832,187	A *	4/1958	Johnson	.....	56/207
3,503,450	A *	3/1970	Day	.....	172/71
3,884,022	A *	5/1975	Landolt	.....	56/364
4,398,607	A *	8/1983	Reichardt	.....	172/119

5,395,286	A *	3/1995	Sgariboldi	.....	460/23
5,439,182	A *	8/1995	Sgariboldi	.....	241/260.1
5,685,382	A *	11/1997	Deeter	.....	175/394
6,053,811	A *	4/2000	Johnson et al.	.....	460/6
6,093,099	A *	7/2000	Groff	.....	460/71
6,390,283	B1 *	5/2002	Goodwin	.....	198/664
6,416,134	B1 *	7/2002	Share et al.	.....	299/55
6,561,896	B1 *	5/2003	Lauer	.....	460/71
D475,372	S *	6/2003	Dulkoski	.....	D15/21

\* cited by examiner

*Primary Examiner*—Stella Reid

*Assistant Examiner*—Mark Goodwin

(74) *Attorney, Agent, or Firm*—Galvano & Associates, PLLC

(57) **CLAIM**

The ornamental design for an auger, as shown and described.

**DESCRIPTION**

FIG. 1 is a perspective view of an auger showing my new design;

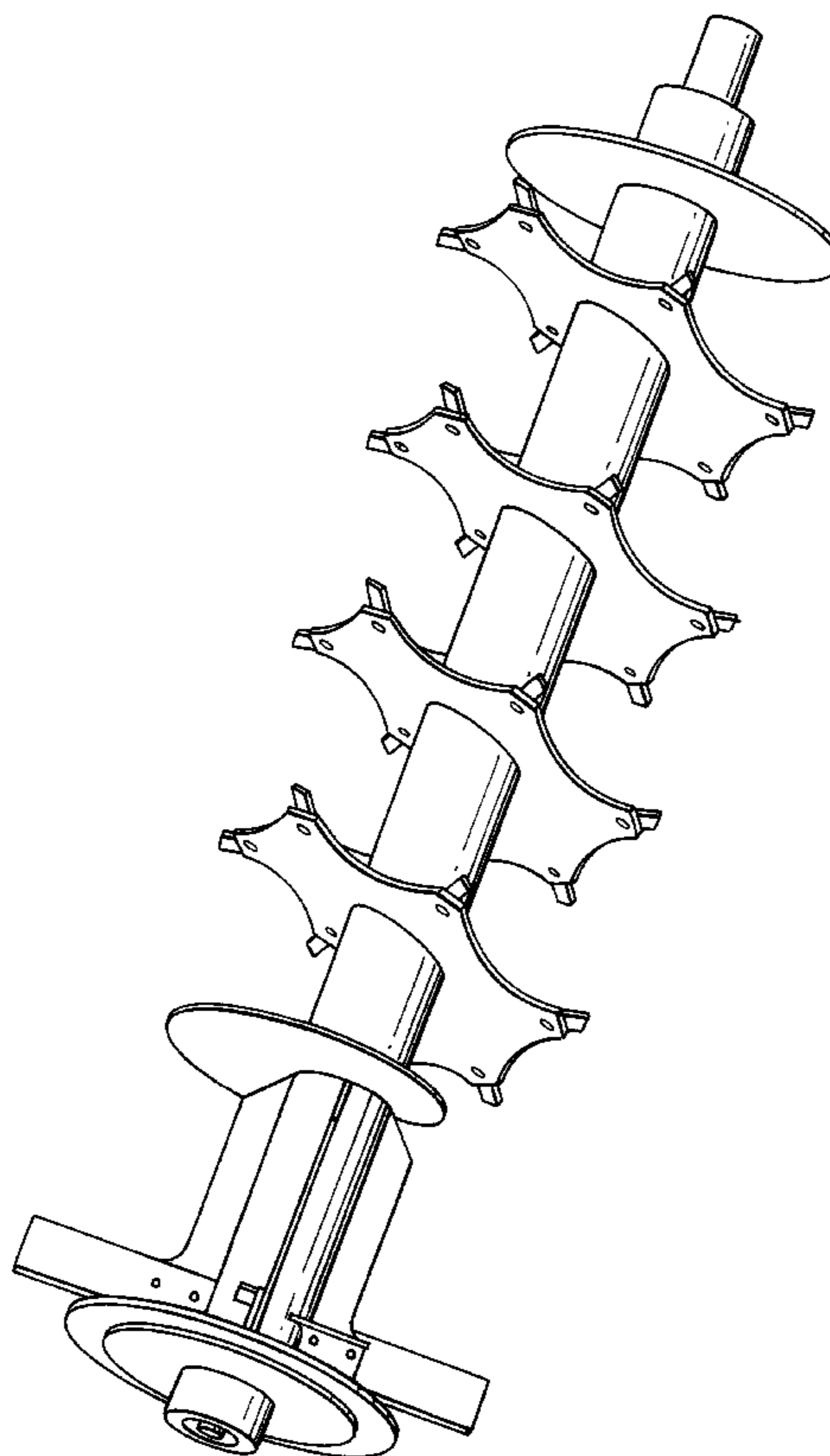
FIG. 2 is a side view thereof, the opposite side being a mirror image thereof;

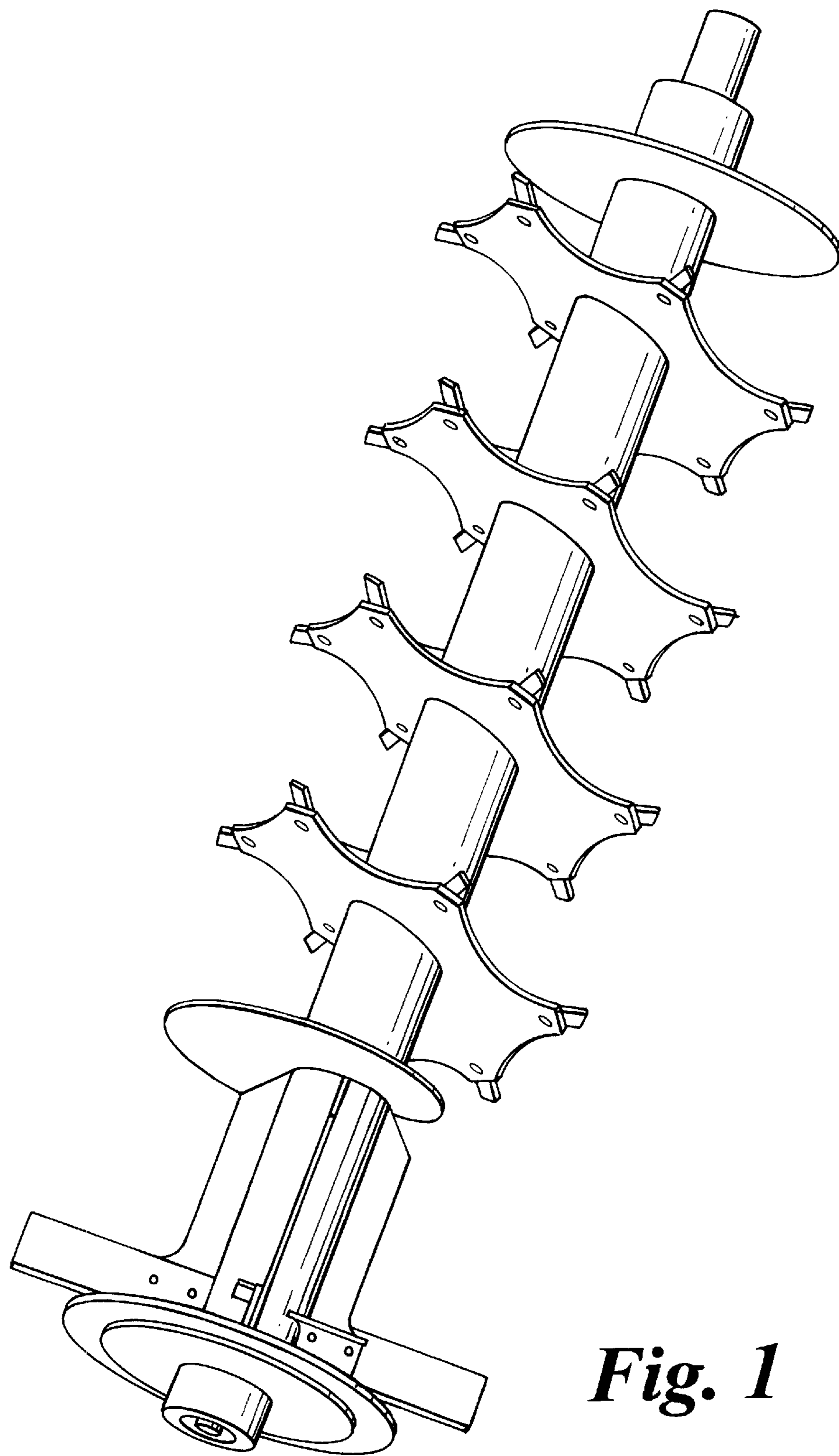
FIG. 3 is another side view thereof similar to FIG. 2, but rotated 90° therefrom, the opposite side being a mirror image thereof;

FIG. 4 is a bottom view thereof; and,

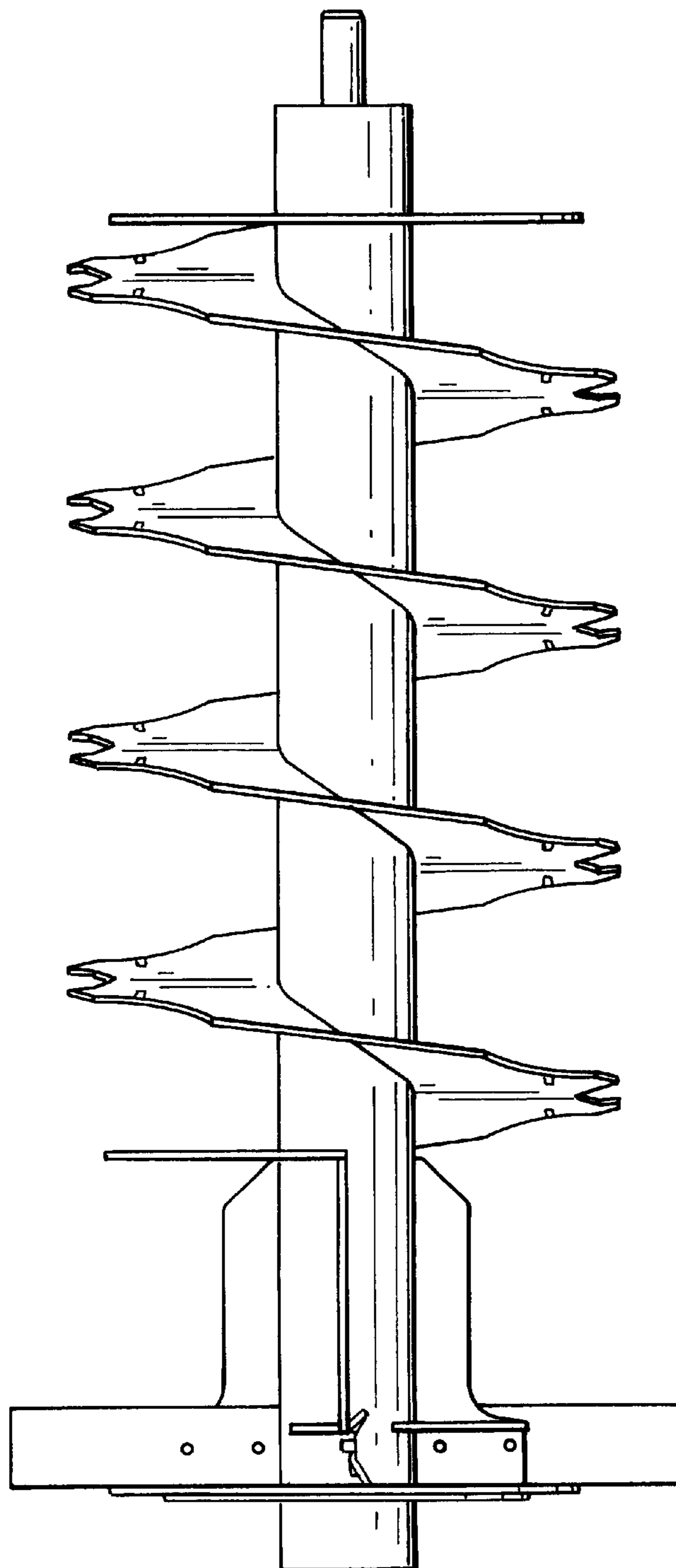
FIG. 5 is a top view thereof.

**1 Claim, 4 Drawing Sheets**

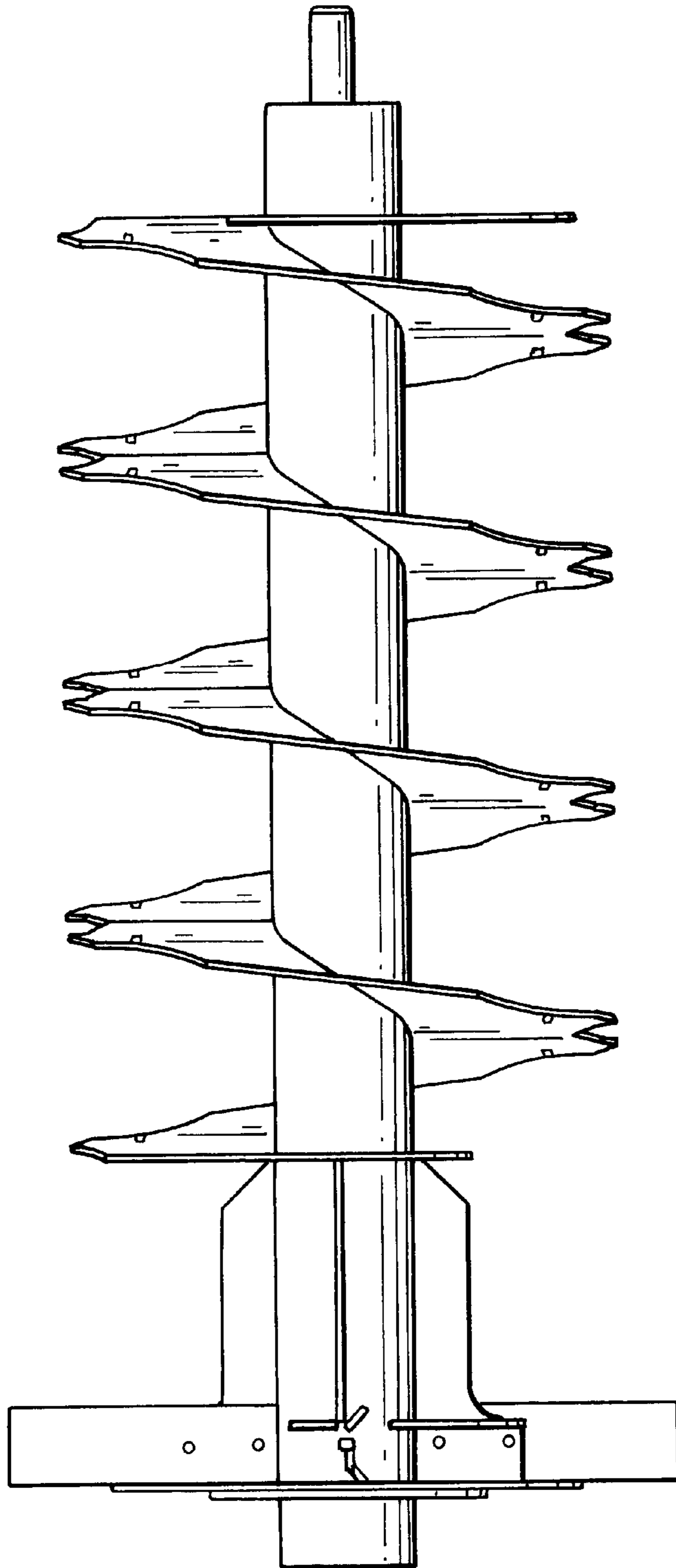




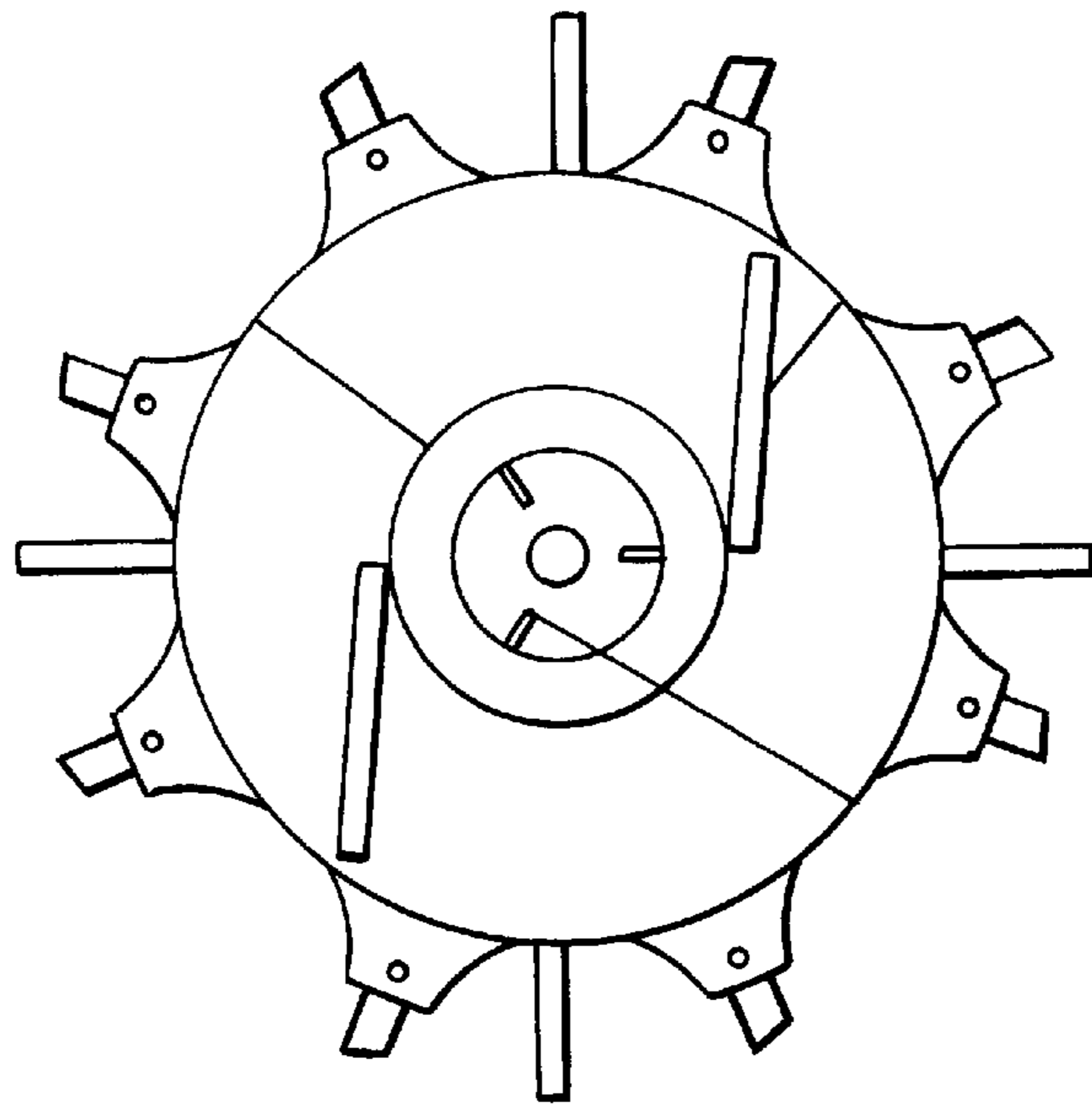
***Fig. 1***



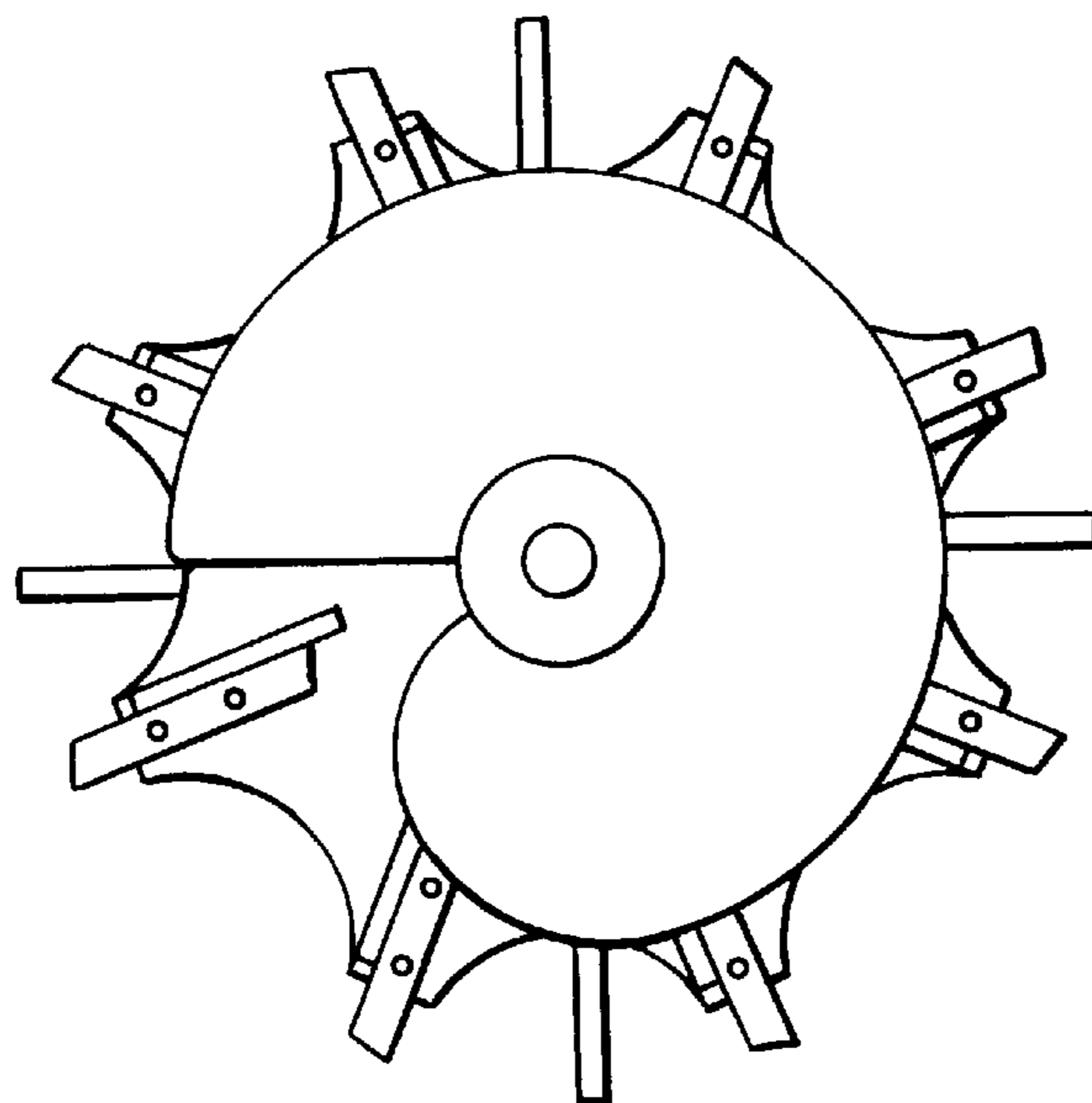
*Fig. 2*



*Fig. 3*



*Fig. 4*



*Fig. 5*