

US00D540352S

(12) **United States Design Patent**
Sato et al.

(10) **Patent No.: US D540,352 S**

(45) **Date of Patent: ** Apr. 10, 2007**

(54) **WHEEL LOADER**

(75) Inventors: **Yoshiharu Sato**, Mooka (JP); **Minoru Sato**, Mooka (JP); **Toshimitsu Honda**, Mooka (JP); **Teruhisa Iwata**, Tokyo (JP)

(73) Assignee: **Komatsu Ltd.**, Tokyo (JP)

(**) Term: **14 Years**

(21) Appl. No.: **29/252,812**

(22) Filed: **Jan. 27, 2006**

(30) **Foreign Application Priority Data**

Oct. 14, 2005 (JP) 2005-030136
Oct. 14, 2005 (JP) 2005-030137

(51) **LOC (8) Cl.** **12-09**

(52) **U.S. Cl.** **D15/25**

(58) **Field of Classification Search** D15/10,
D15/22-26; 37/341, 403, 442, 443, 304,
37/301; 180/89.1, 89.12, 89.13; 296/202,
296/190; 414/685, 694, 722, 724
See application file for complete search history.

(56) **References Cited**

U.S. PATENT DOCUMENTS

3,246,778 A * 4/1966 Kampert et al. 414/713
D211,522 S * 6/1968 Renquist D15/25
RE26,635 E * 7/1969 Kampert et al. 414/697
3,601,212 A * 8/1971 Peterson et al. 180/9.44
D226,707 S * 4/1973 Skyer et al. D15/25
3,879,059 A * 4/1975 Gibes 280/848
D245,503 S * 8/1977 Adams et al. D15/25
4,085,815 A * 4/1978 Miller 180/54.1
4,240,648 A * 12/1980 Starr 280/760
4,379,568 A * 4/1983 Kerkman 280/400
D326,858 S * 6/1992 Skeel et al. D15/25
5,199,196 A * 4/1993 Straley 37/442

D364,408 S * 11/1995 Bryant et al. D15/25
D405,807 S * 2/1999 Amy et al. D15/25
D410,930 S * 6/1999 Kim et al. D15/25
D412,506 S * 8/1999 Boyer et al. D15/25
D419,618 S * 1/2000 Park D21/537
D441,038 S * 4/2001 Wei D21/537

FOREIGN PATENT DOCUMENTS

JP 1228549 1/2005

* cited by examiner

Primary Examiner—Stella Reid

Assistant Examiner—Mark Goodwin

(74) *Attorney, Agent, or Firm*—Synnestvedt & Lechner LLP

(57) **CLAIM**

The ornamental design for a wheel loader, as shown and described.

DESCRIPTION

FIG. 1 is a front perspective view of a wheel loader showing our new design;

FIG. 2 is a rear perspective view thereof;

FIG. 3 is a front view thereof;

FIG. 4 is a rear view thereof;

FIG. 5 is a top plan view thereof;

FIG. 6 is a right side elevational view thereof;

FIG. 7 is a left side elevational view thereof;

FIG. 8 is a front perspective view of a wheel loader according to a second embodiment of the present design;

FIG. 9 is a rear perspective view thereof;

FIG. 10 is a front view thereof;

FIG. 11 is a rear view thereof;

FIG. 12 is a top plan view thereof;

FIG. 13 is a right side elevational view thereof; and,

FIG. 14 is a left side elevational view thereof.

1 Claim, 14 Drawing Sheets

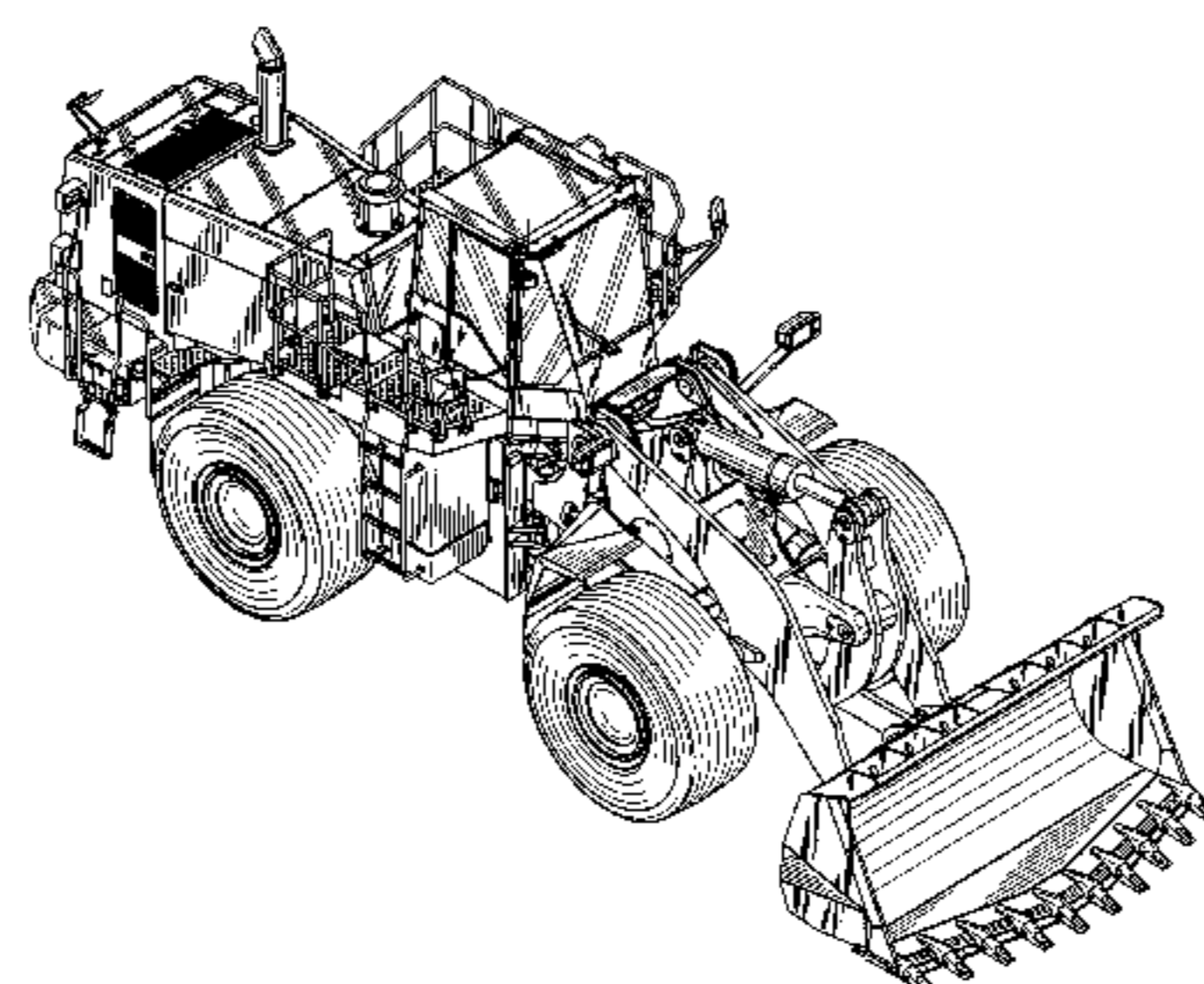
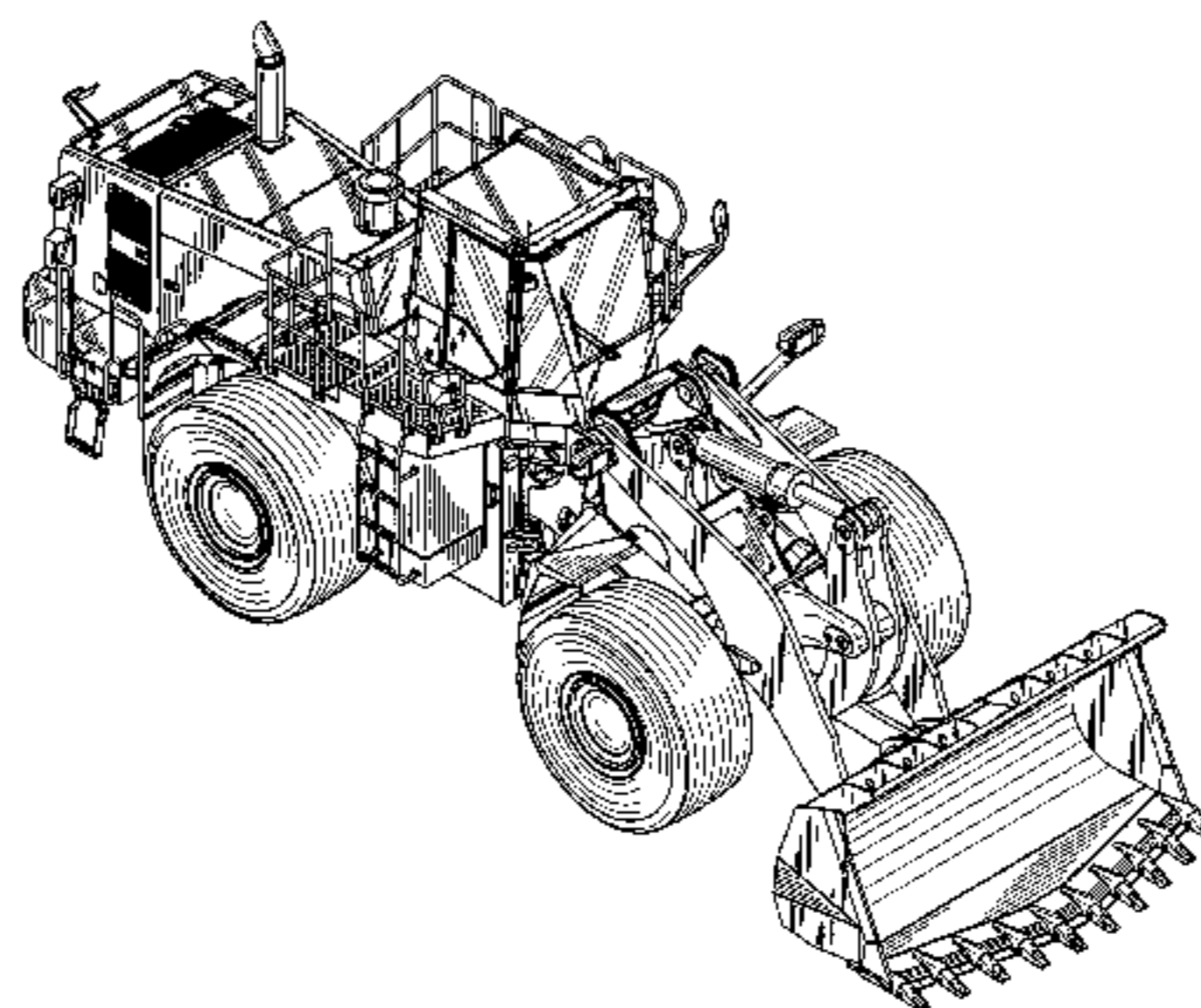


FIG. 1

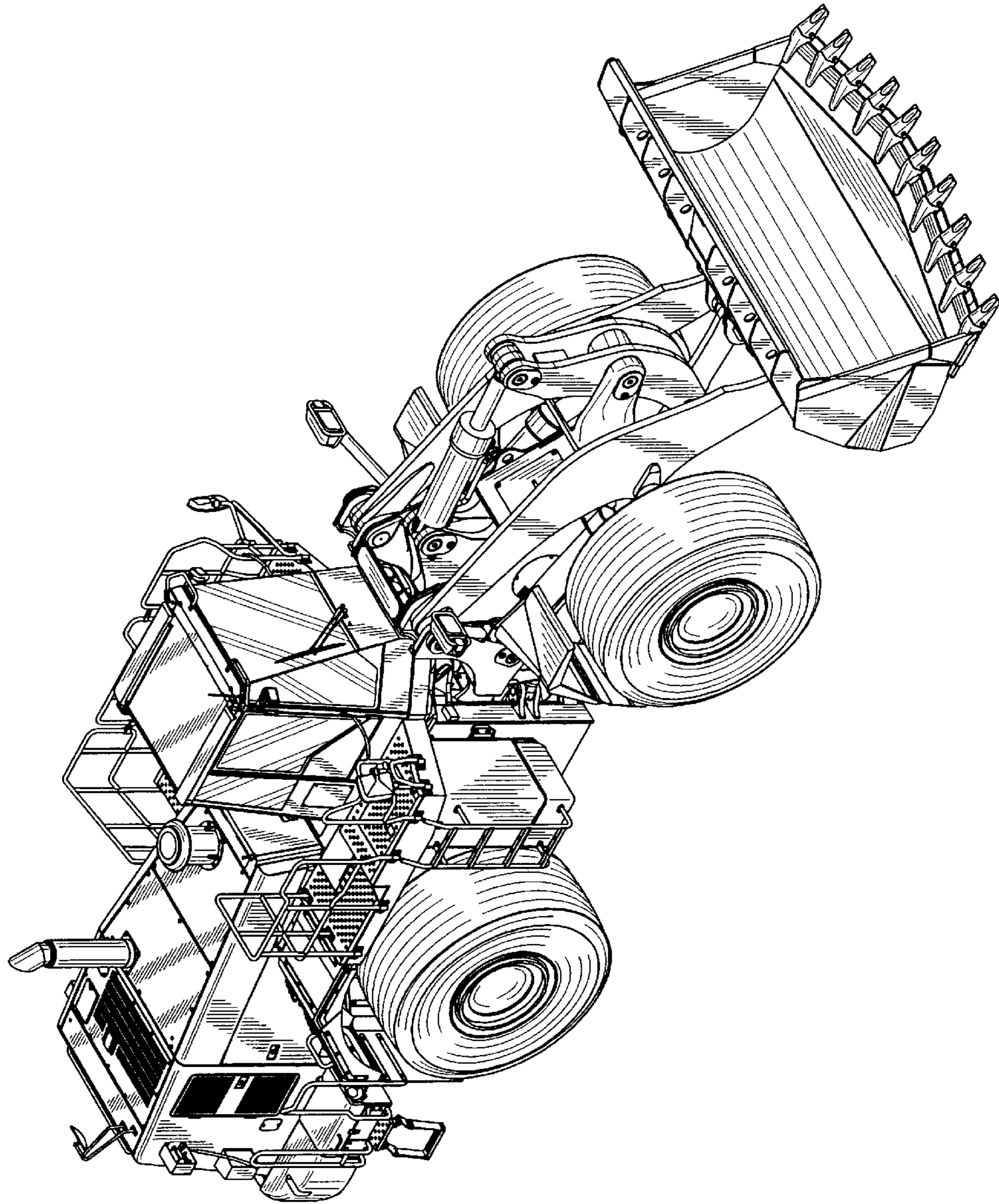


FIG. 2

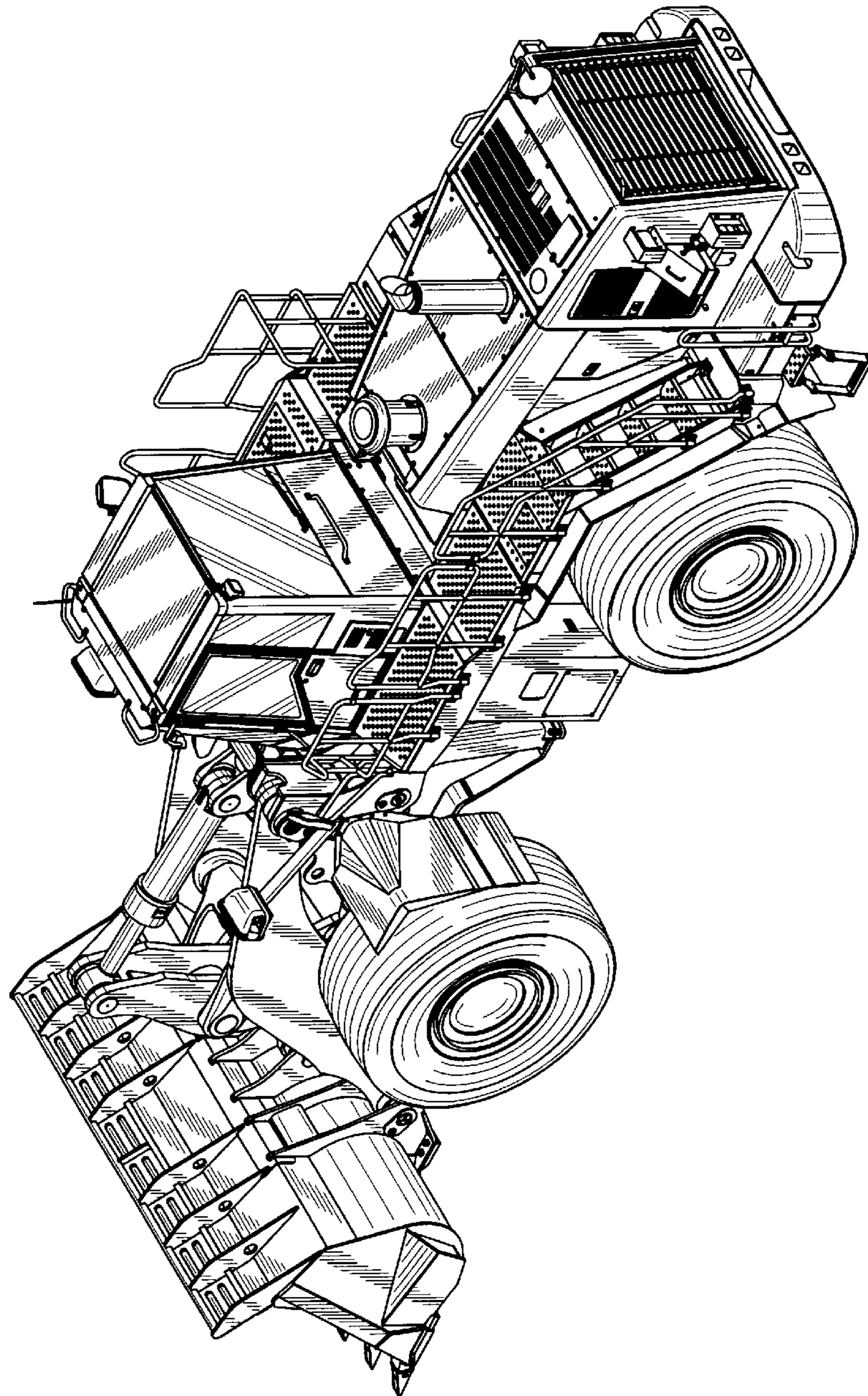


FIG. 3

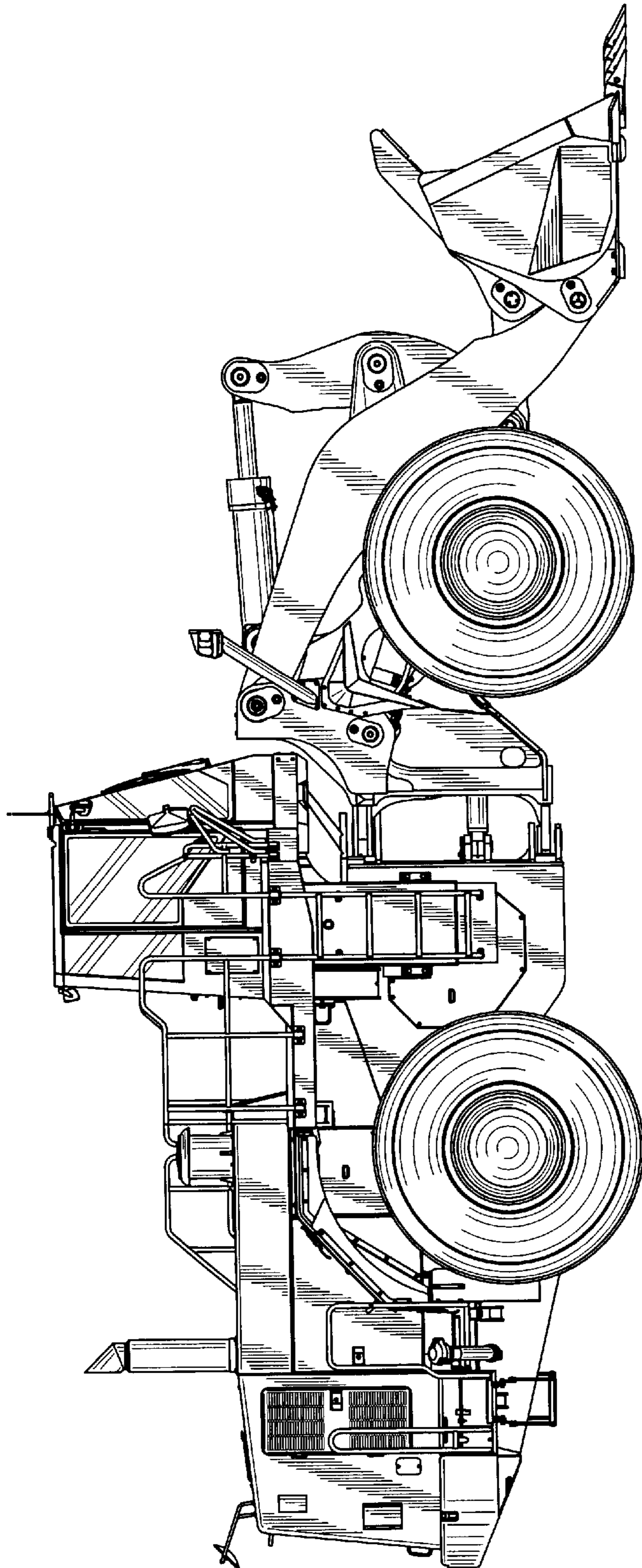


FIG. 4

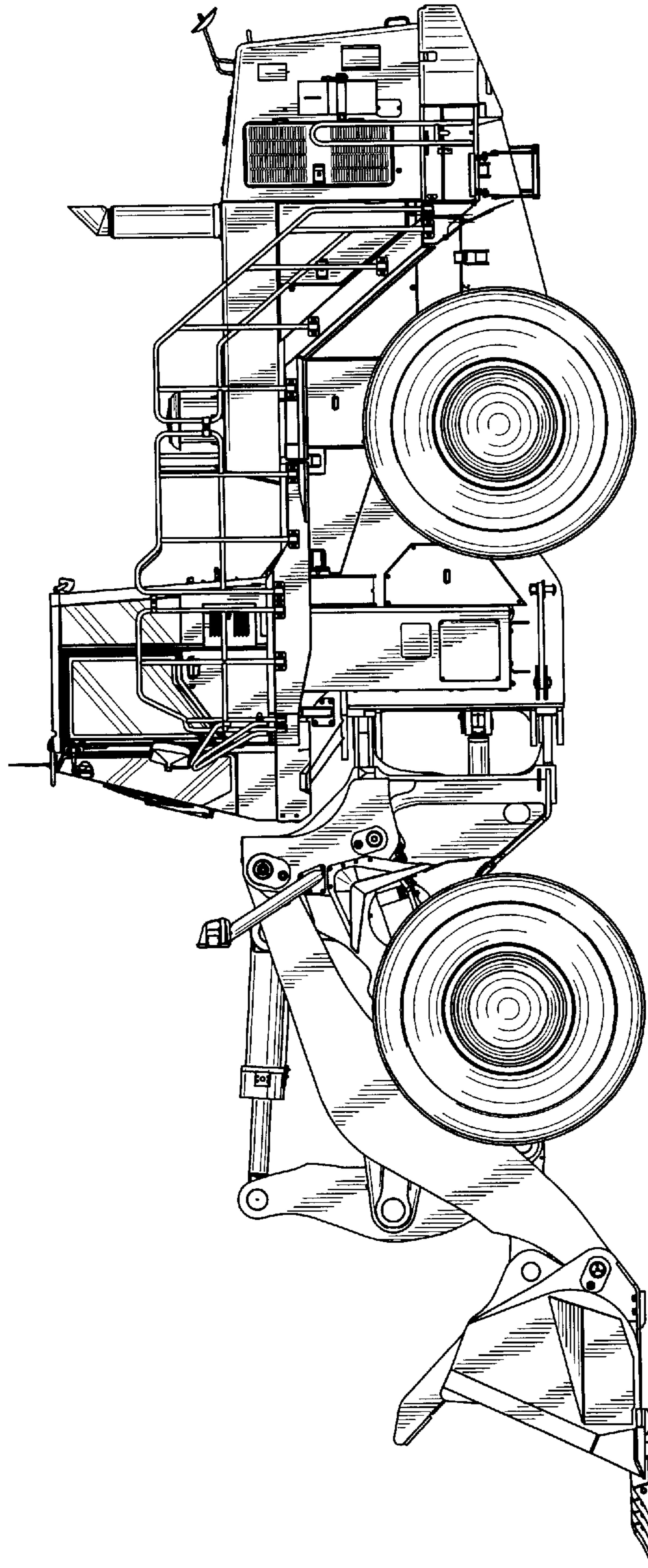


FIG. 5

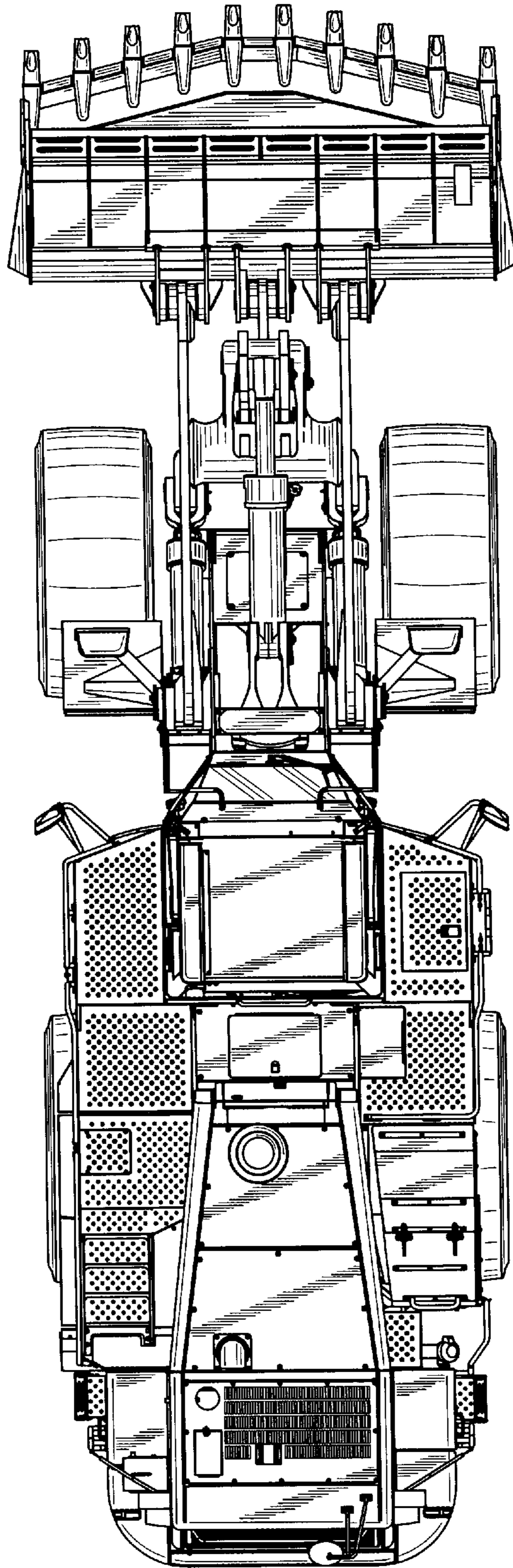


FIG. 6

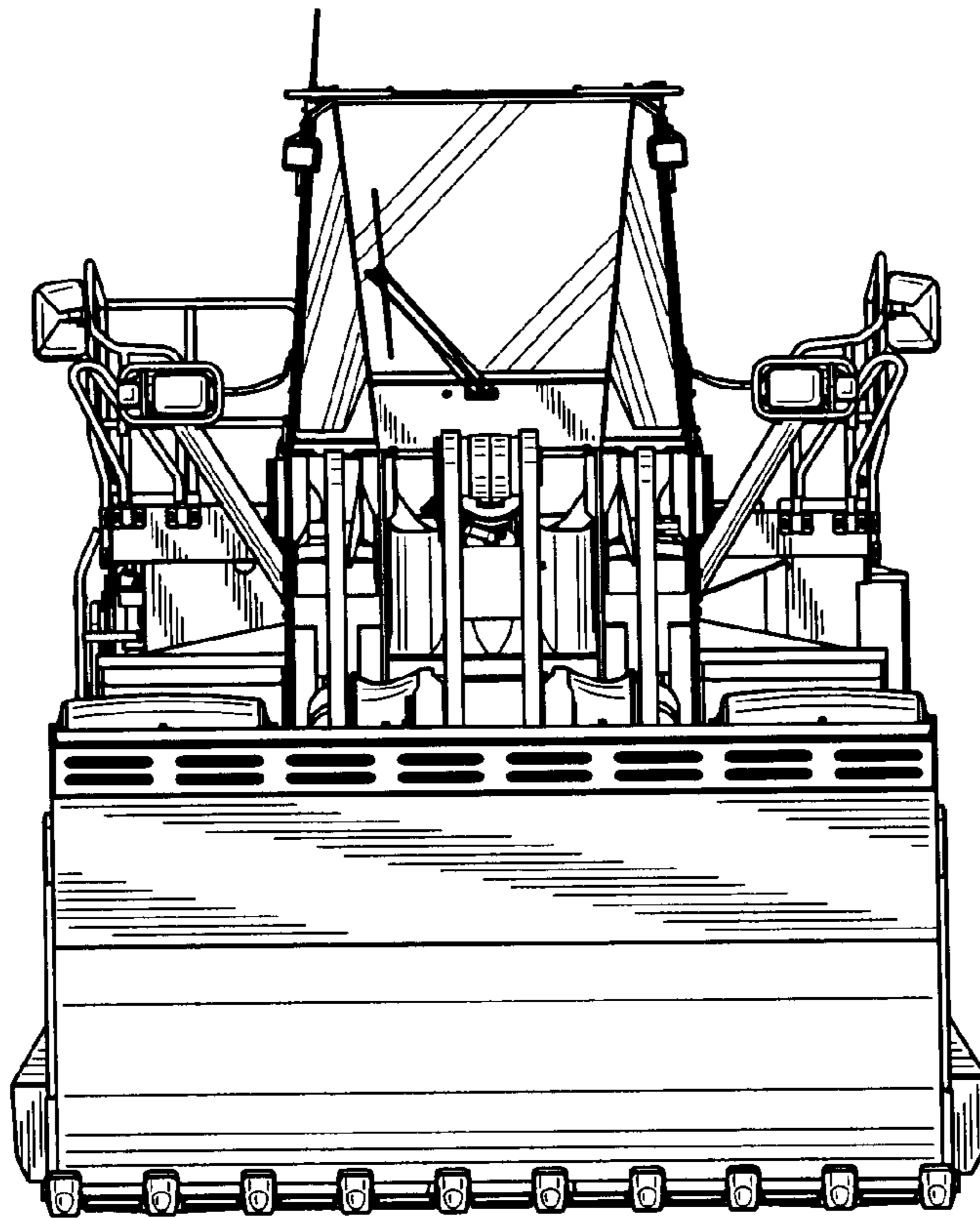


FIG. 7

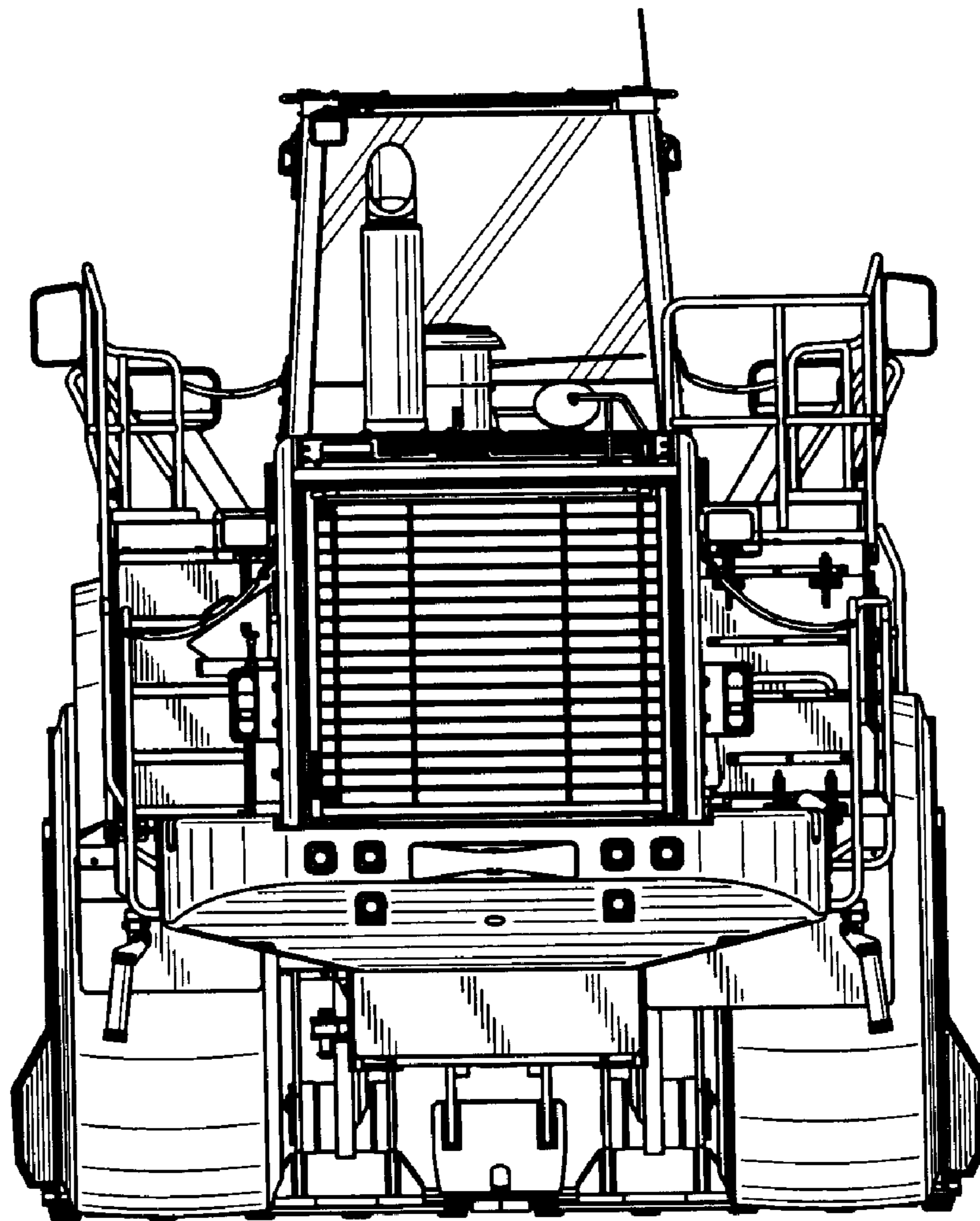


FIG. 8

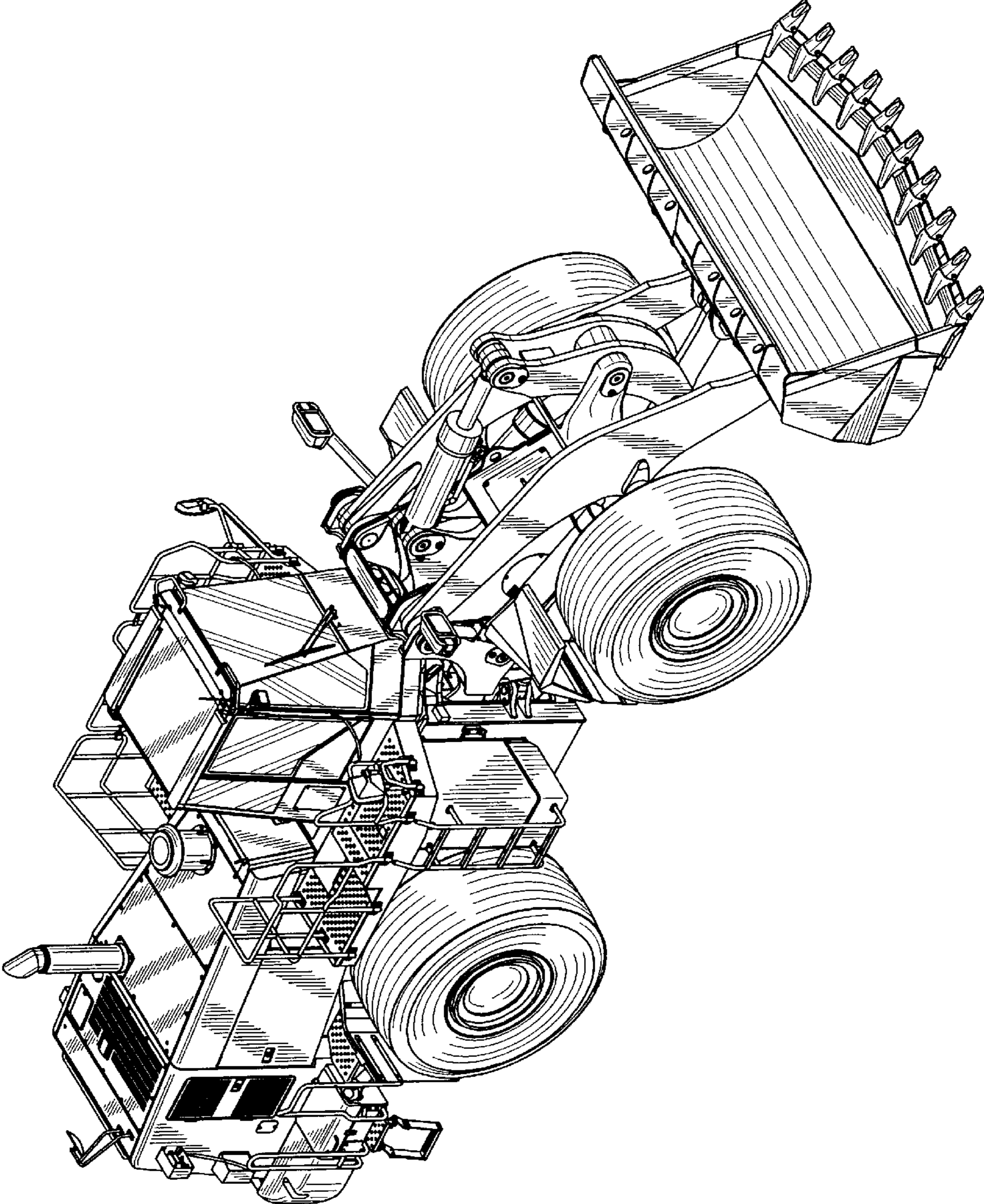


FIG. 9

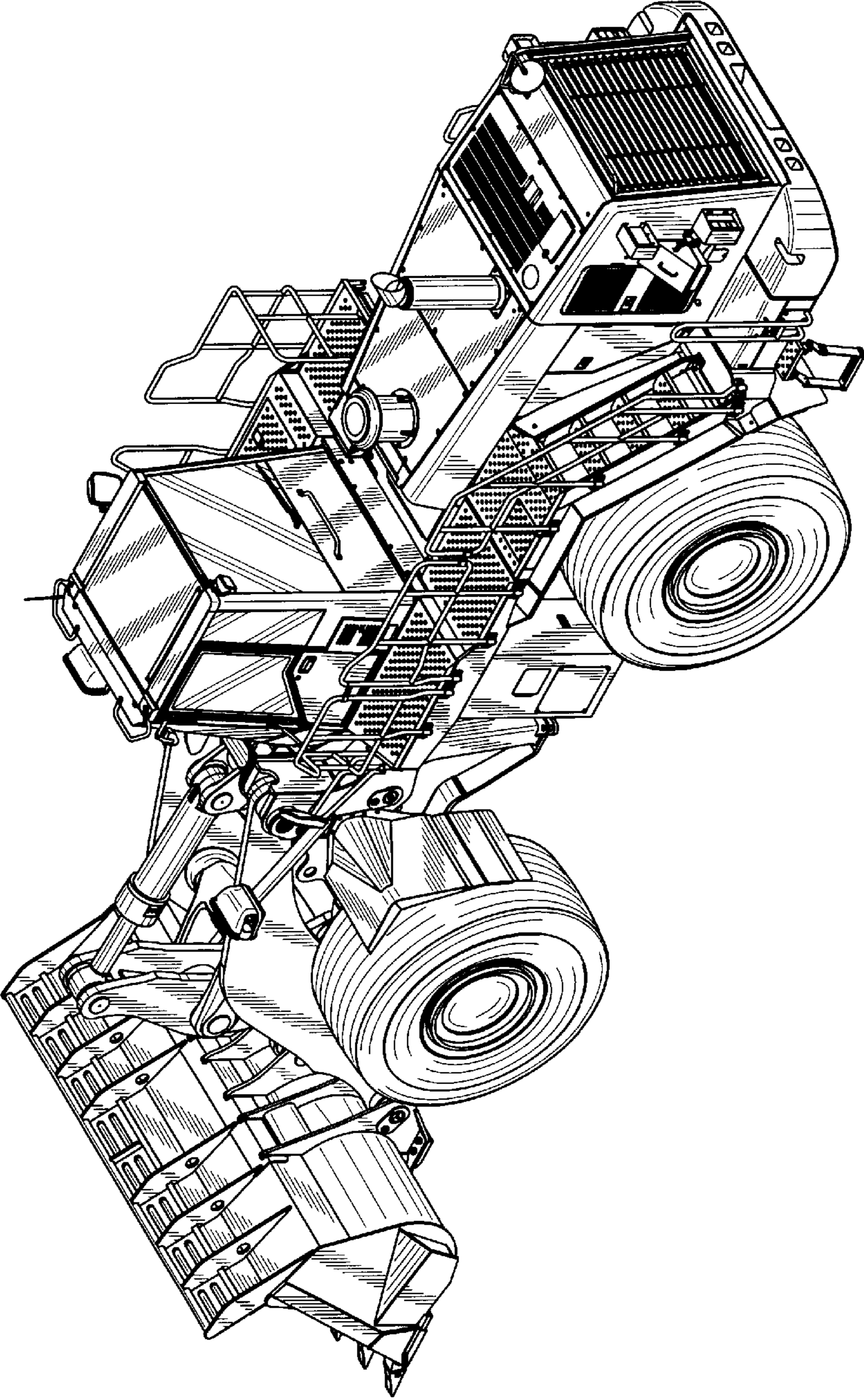


FIG. 10

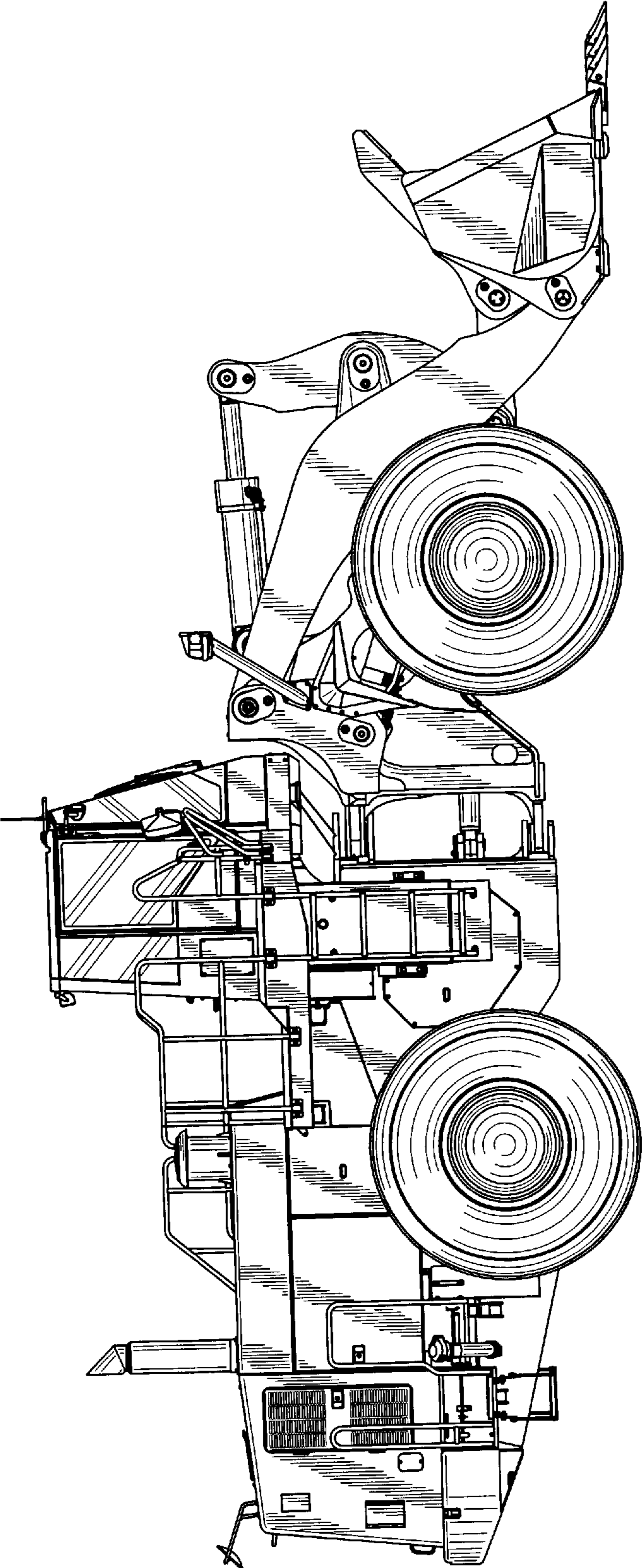


FIG. 11

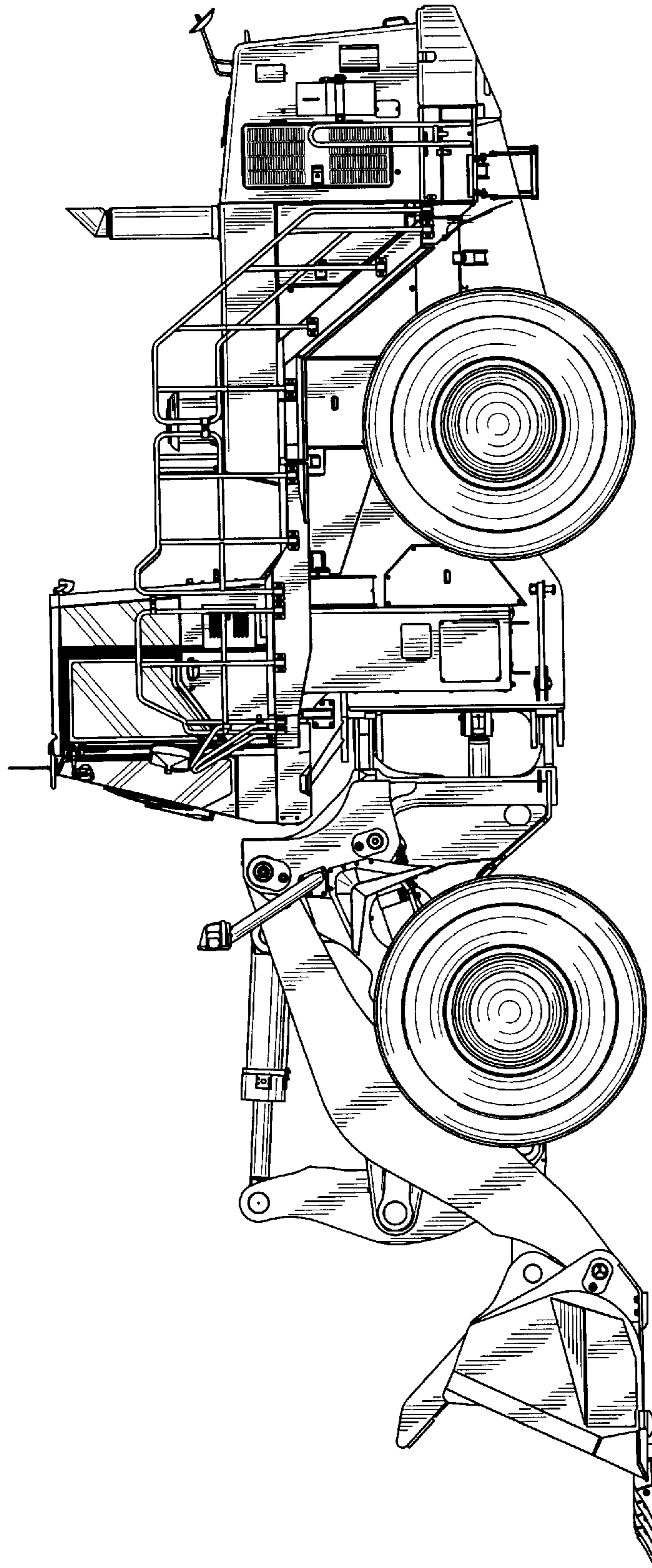


FIG. 12

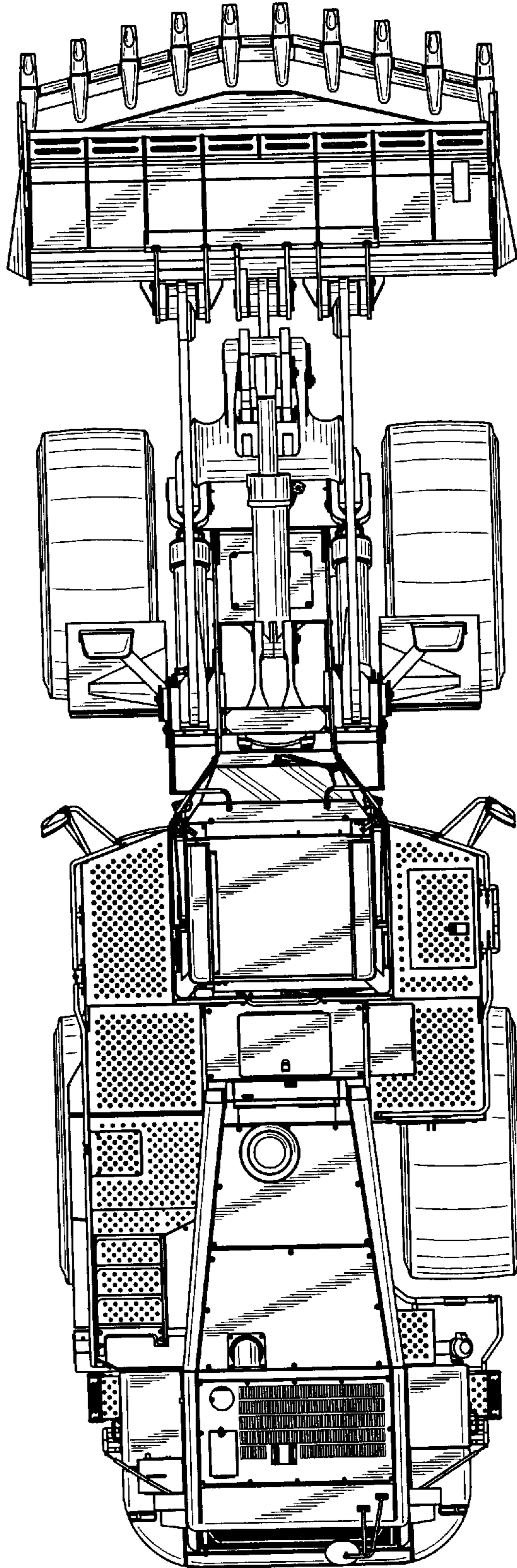


FIG. 13

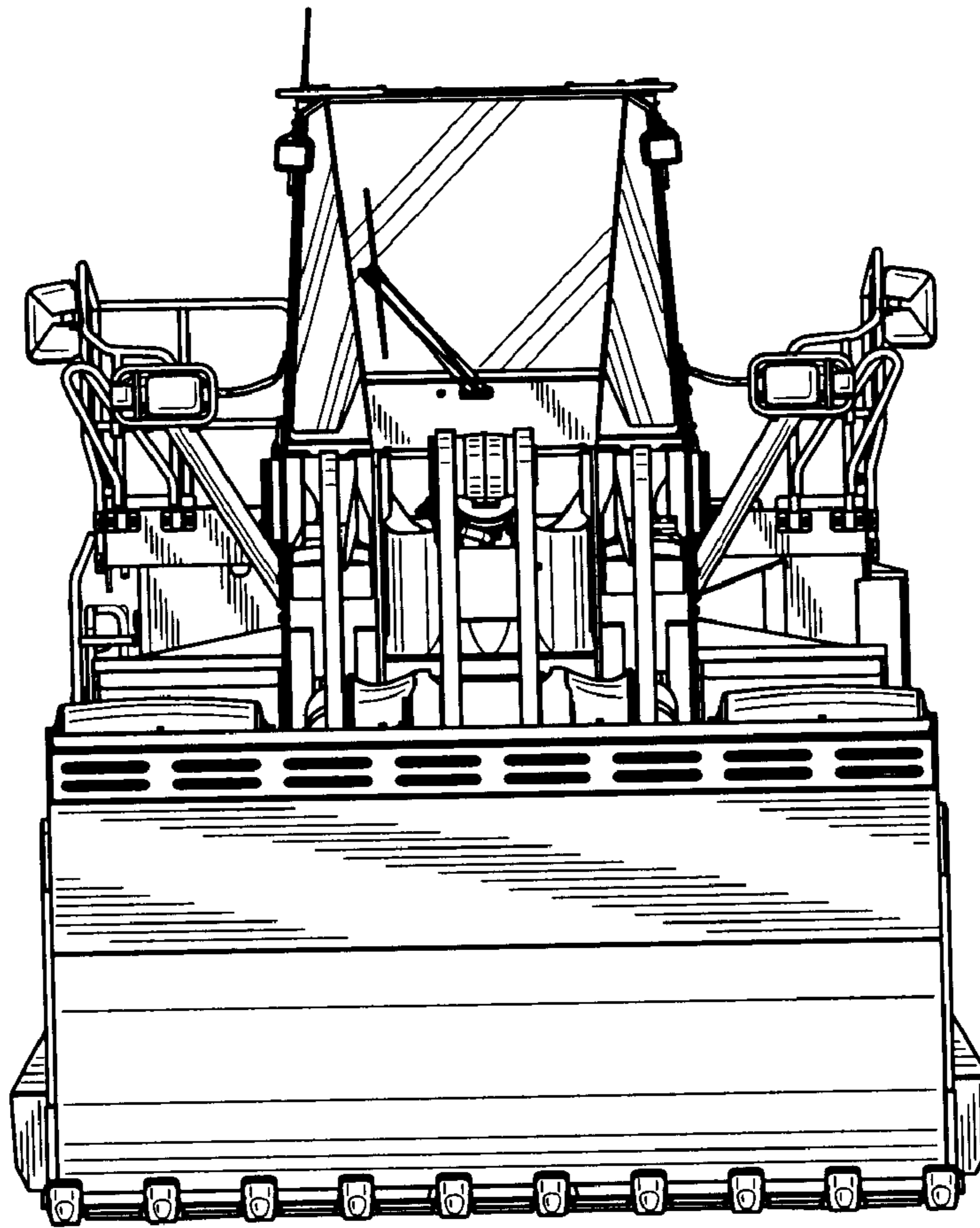


FIG. 14

