

US00D540348S

(12) **United States Design Patent**  
**Chu**

(10) **Patent No.:** **US D540,348 S**

(45) **Date of Patent:** **\*\* Apr. 10, 2007**

(54) **CYLINDER HOUSING FOR AIR COMPRESSOR**

(76) Inventor: **Henry C. Chu**, 133N. Lemon St., Orange, CA (US) 92866

(\*\*) Term: **14 Years**

(21) Appl. No.: **29/264,062**

(22) Filed: **Aug. 2, 2006**

(51) **LOC (8) Cl.** ..... **05-02**

(52) **U.S. Cl.** ..... **D15/7**

(58) **Field of Classification Search** ..... D15/7-9;  
D23/232, 231; 417/359, 415-416, 410.1,  
417/321, 265, 405

See application file for complete search history.

(56) **References Cited**

U.S. PATENT DOCUMENTS

4,702,830	A	*	10/1987	Makino et al.	.....	210/220
D356,573	S	*	3/1995	Makino	.....	D15/7
D361,572	S	*	8/1995	Makino	.....	D15/7
D361,574	S	*	8/1995	Makino	.....	D15/7
D363,073	S	*	10/1995	Makino	.....	D15/7
D363,493	S	*	10/1995	Makino	.....	D15/7

\* cited by examiner

*Primary Examiner*—Ralf Seifert

(74) *Attorney, Agent, or Firm*—Charles E. Baxley

(57) **CLAIM**

The ornamental design for a cylinder housing for air compressor, as shown and described.

**DESCRIPTION**

FIG. 1 is a front perspective view of a cylinder housing for air compressor showing my new design;

FIG. 2 is a front elevational view thereof;

FIG. 3 is a rear elevational view thereof;

FIG. 4 is a top plan view thereof;

FIG. 5 is a bottom plan view thereof;

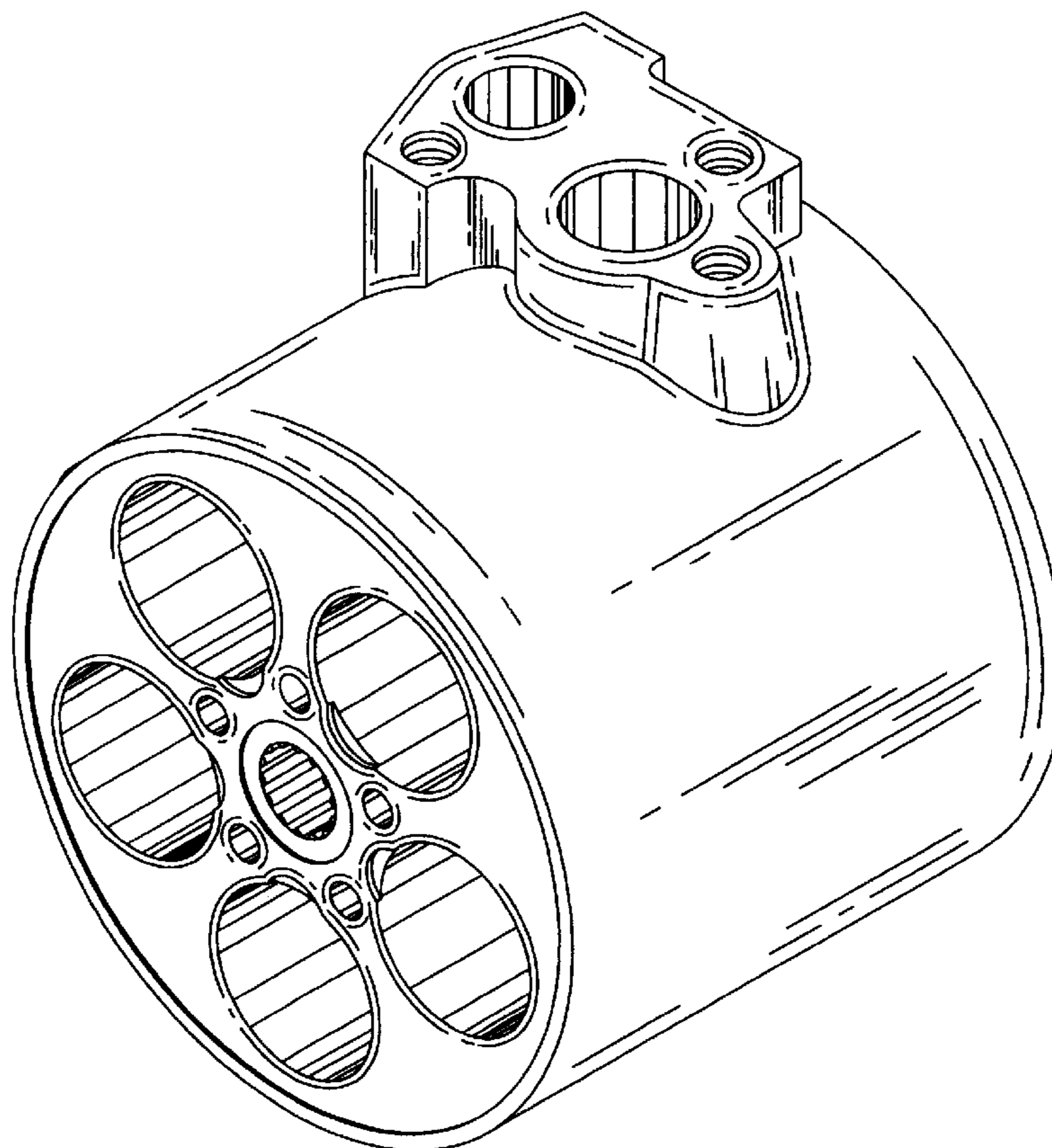
FIG. 6 is a left side elevational view thereof;

FIG. 7 is a right side elevational view thereof;

FIG. 8 is a front perspective view thereof, the intermediate cutting line and the orifices depicted by means of broken lines being for illustrative purposes only and forming no part of the claimed design; and,

FIG. 9 is a rear perspective view thereof, the intermediate cutting line and the orifices and the swelling depicted by means of broken lines being for illustrative purposes only and forming no part of the claimed design.

**1 Claim, 6 Drawing Sheets**



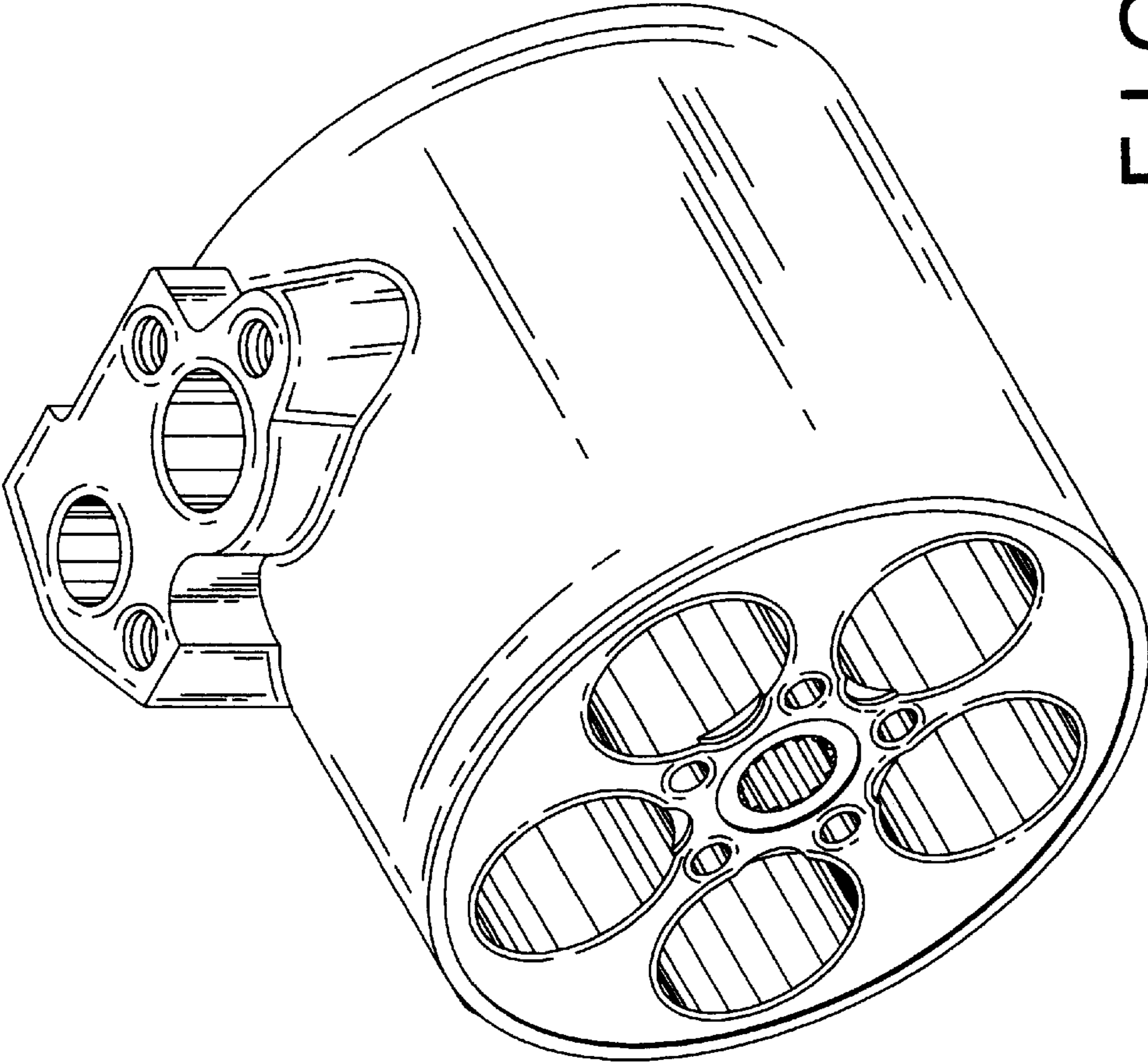


FIG. 1

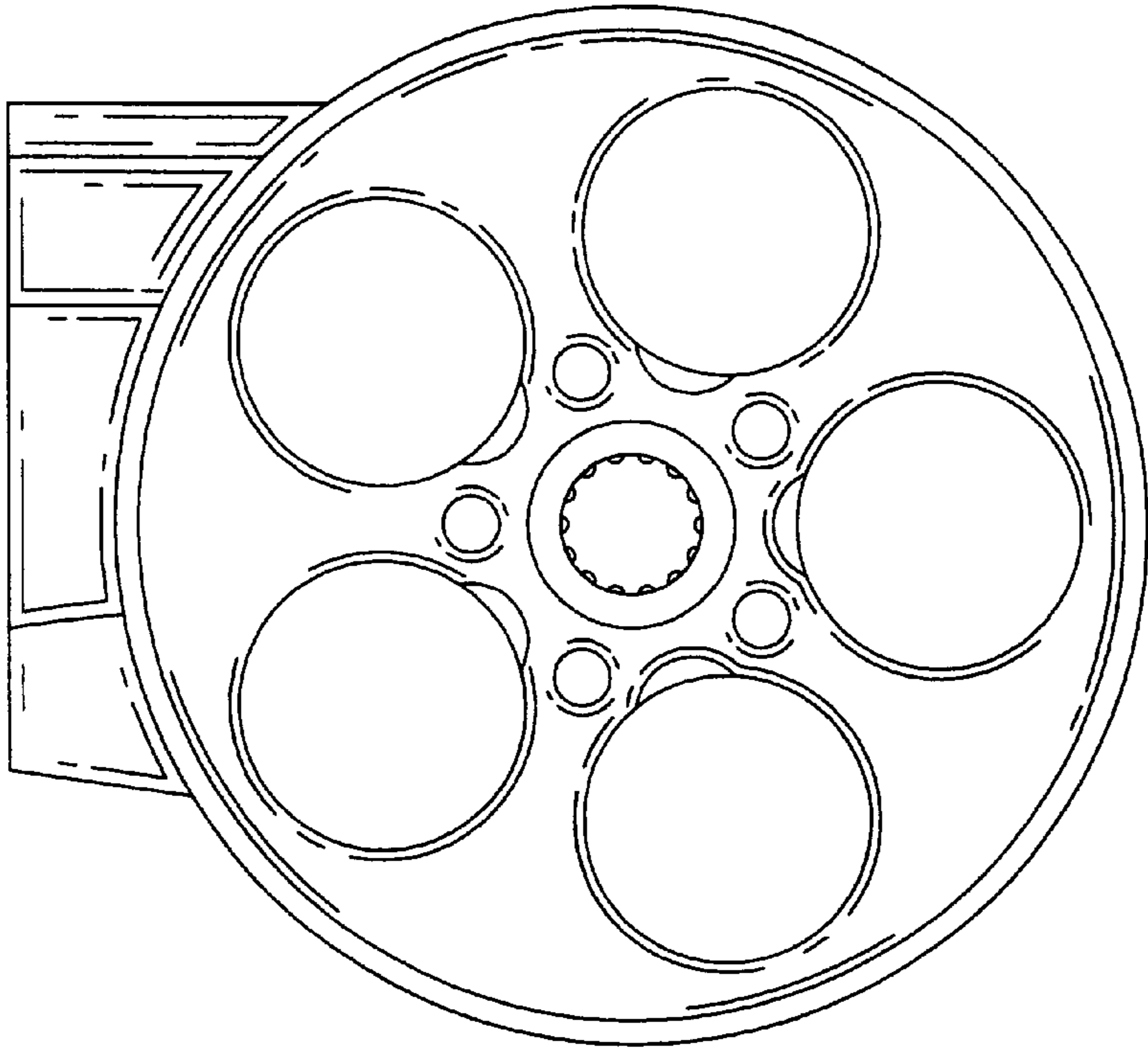


FIG. 3

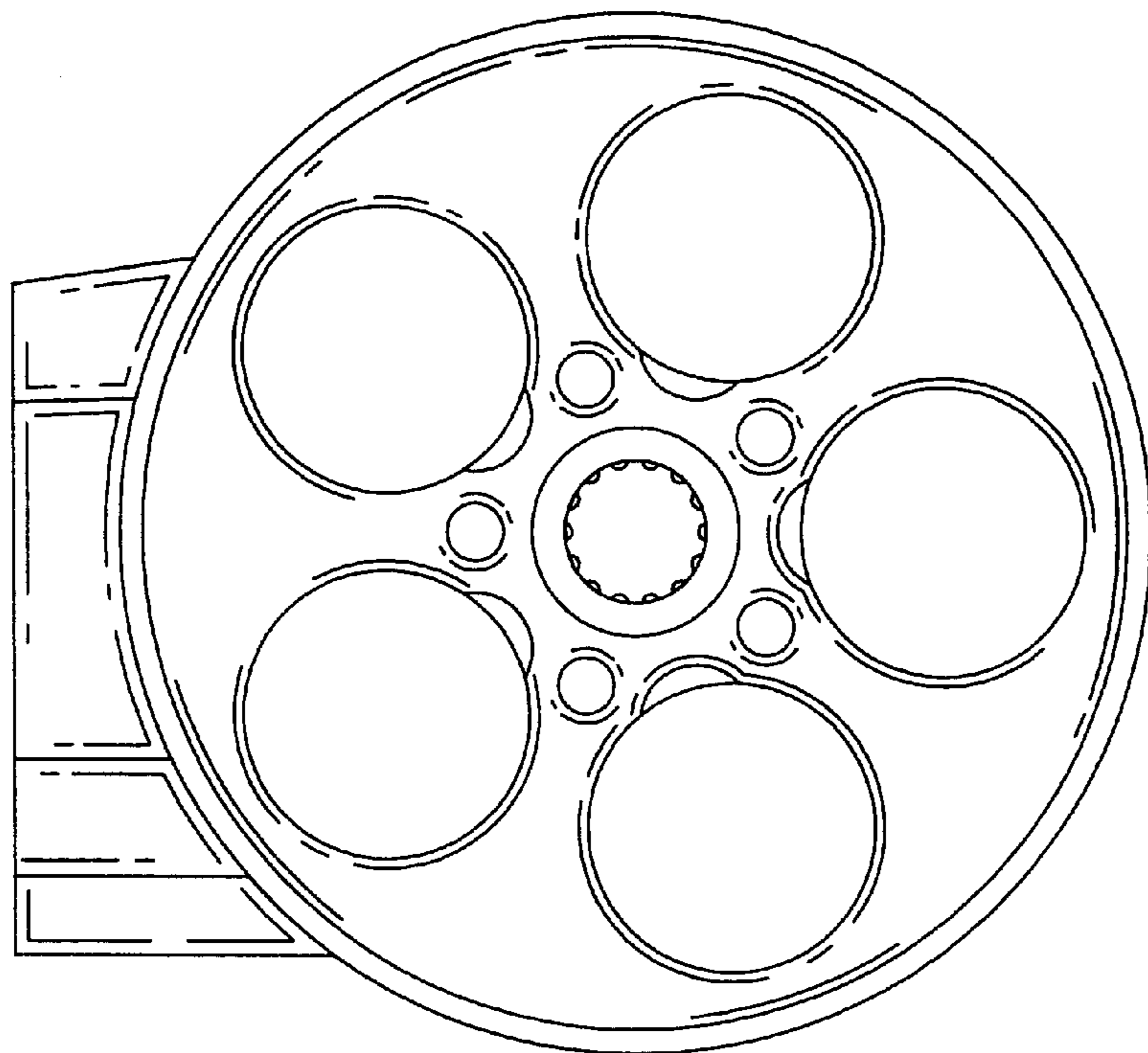


FIG. 2

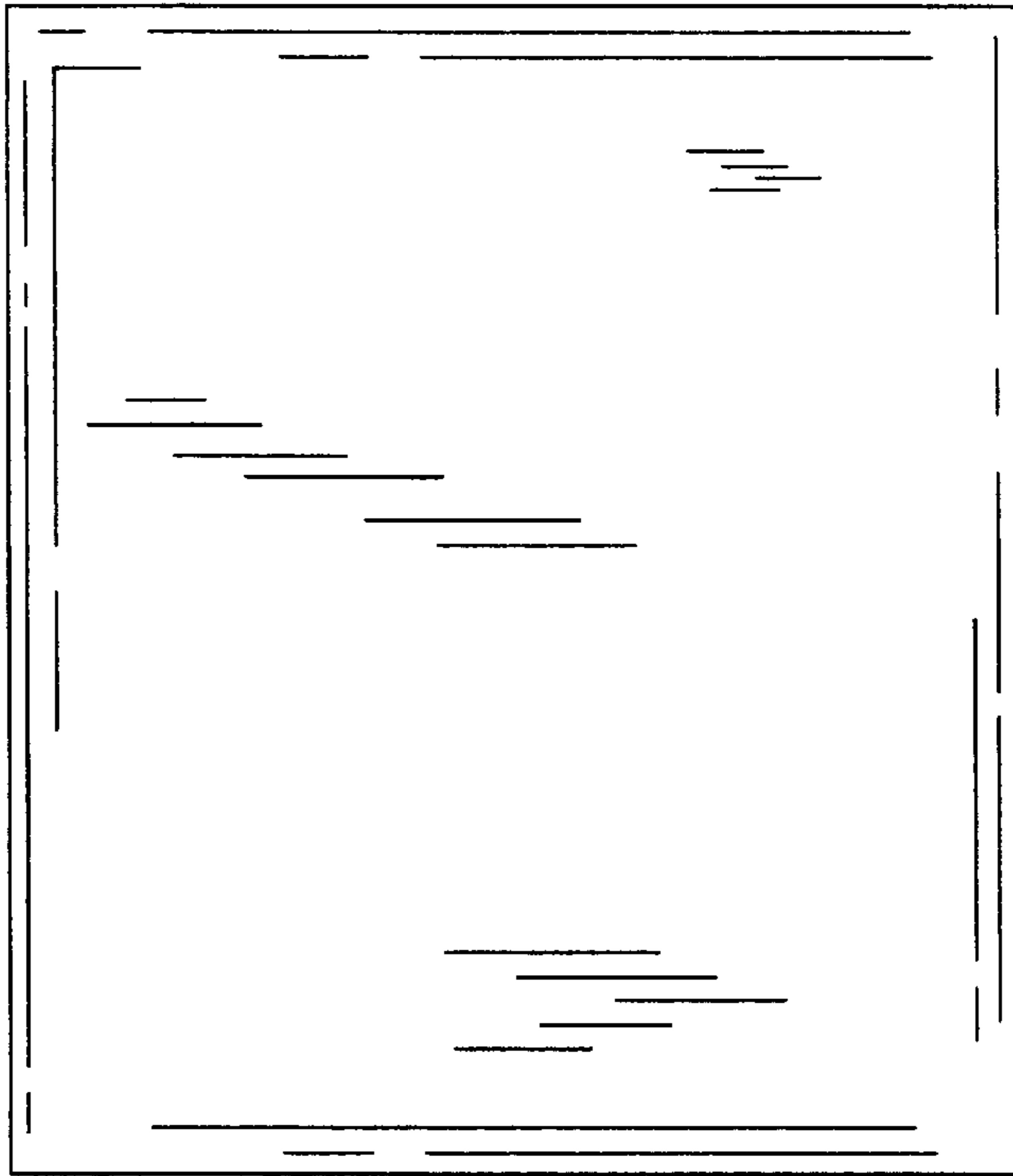


FIG. 5

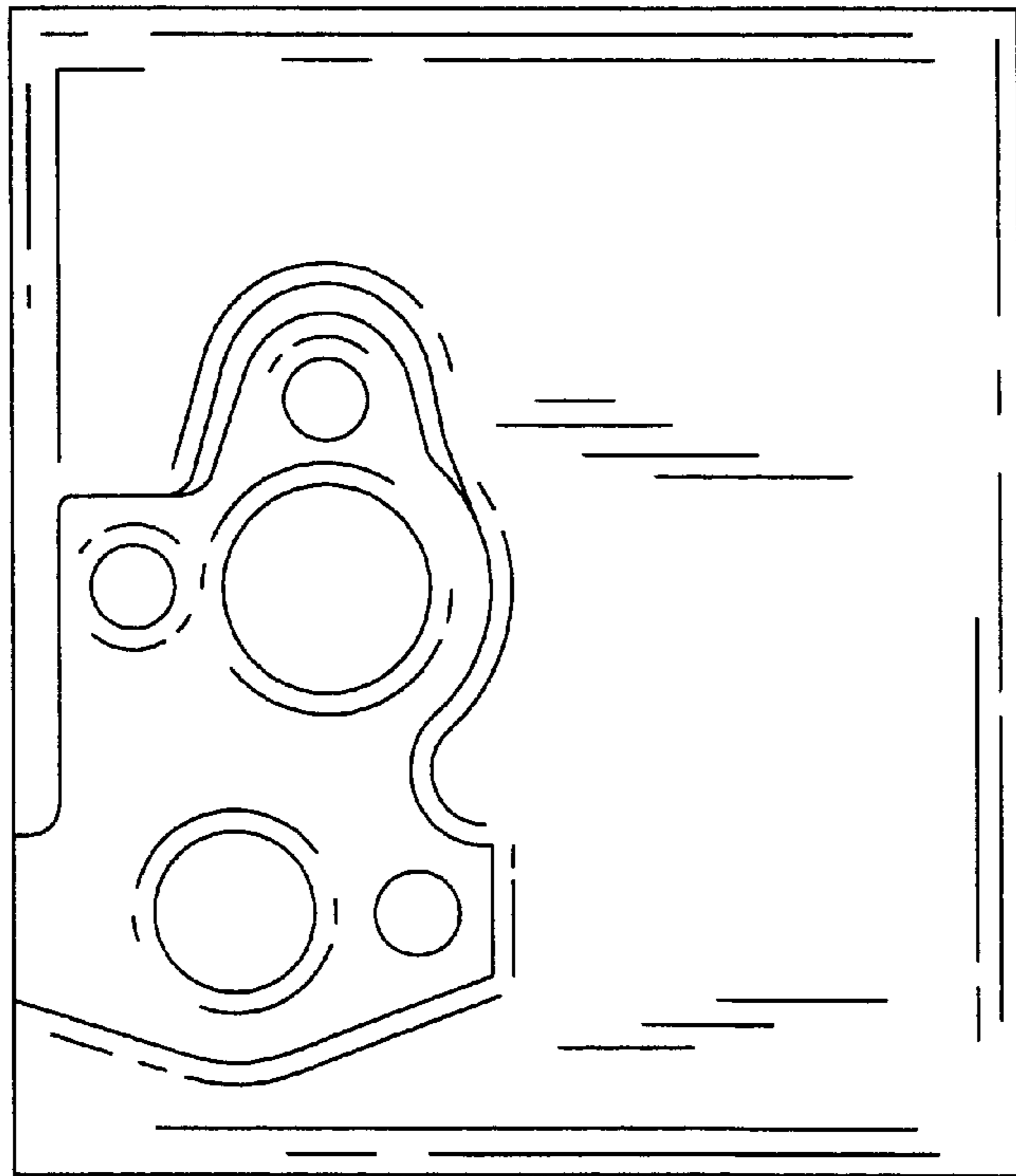


FIG. 4

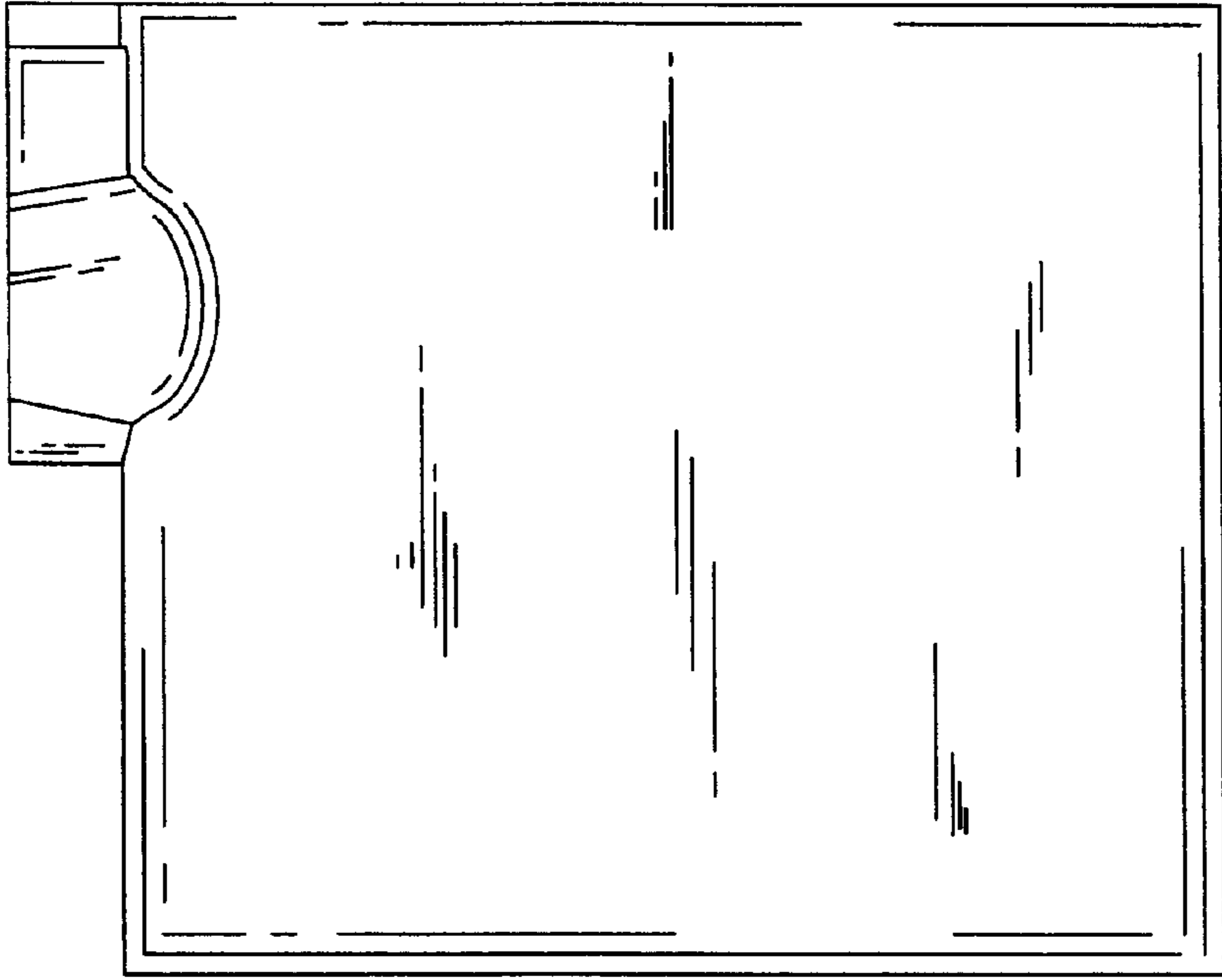


FIG. 7

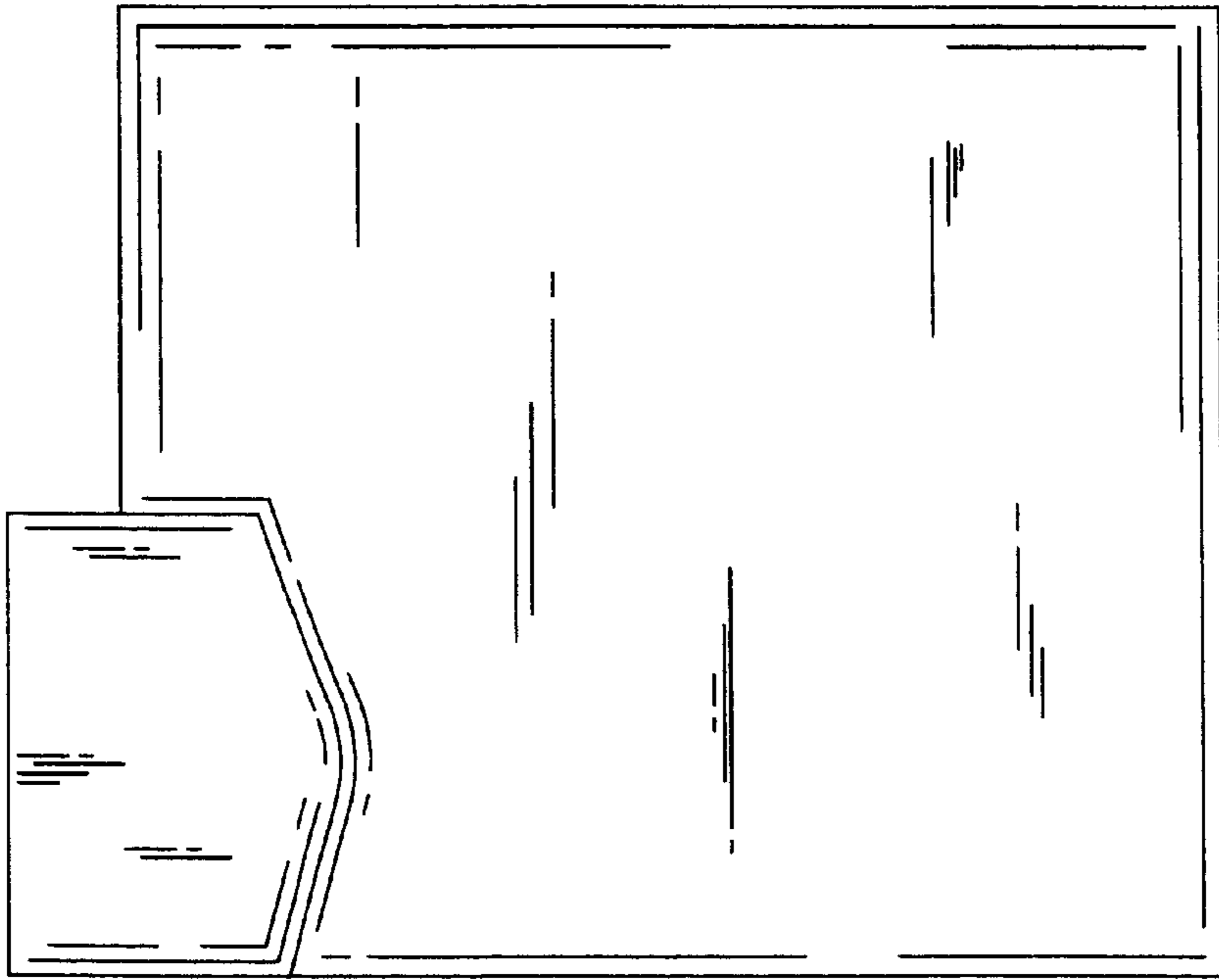


FIG. 6

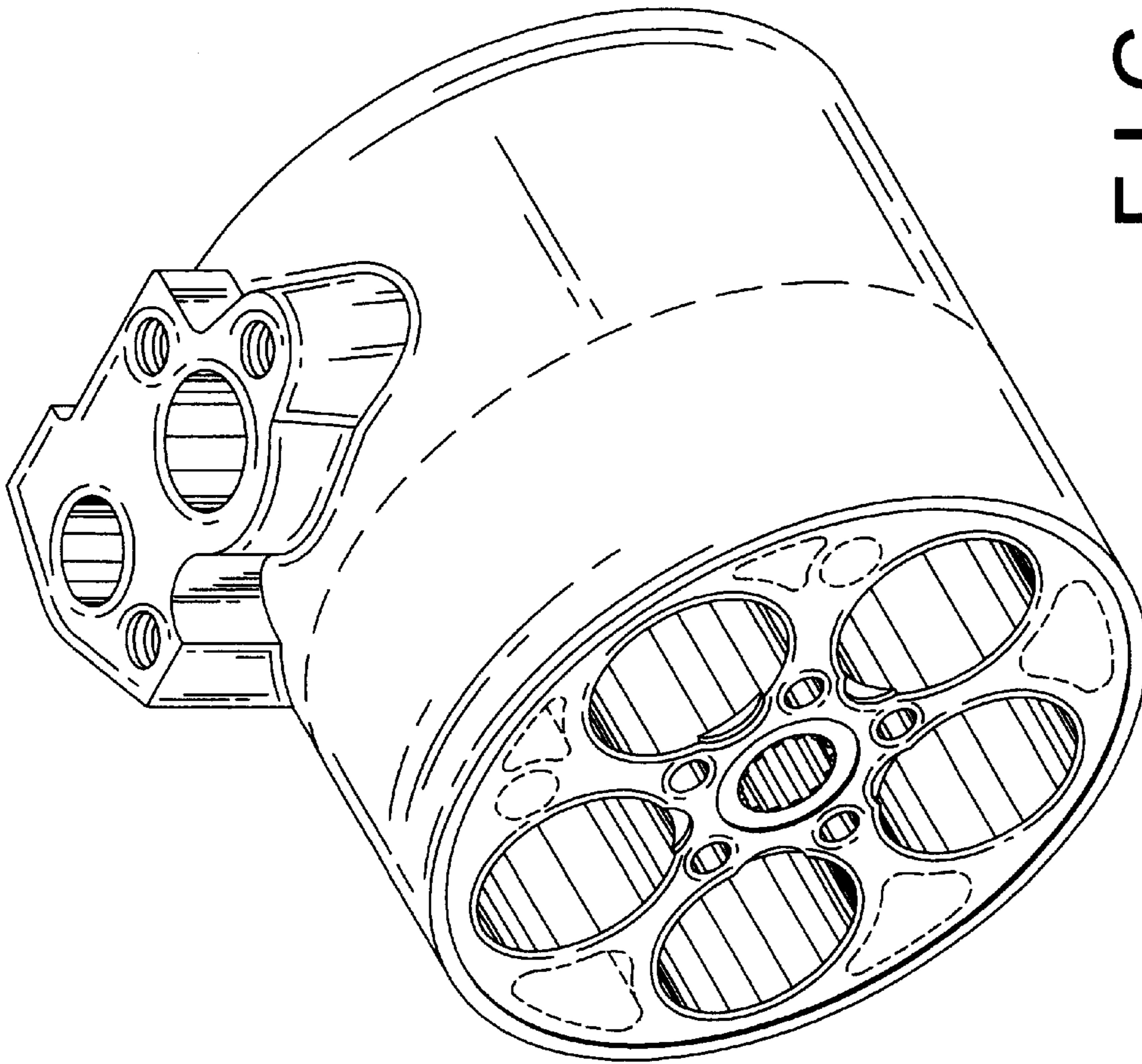


FIG. 8

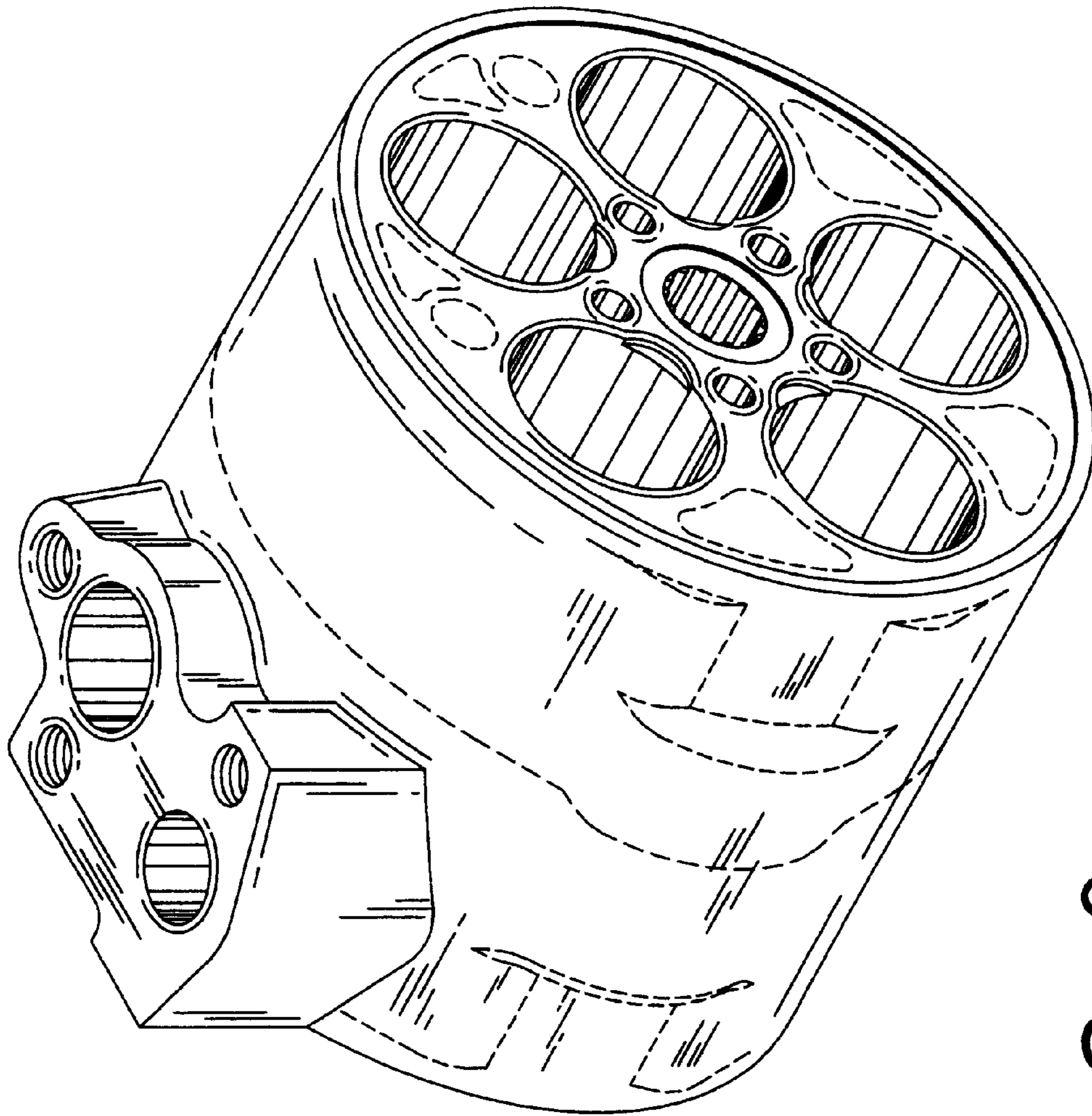


FIG. 9