

US00D540347S

(12) **United States Design Patent** (10) **Patent No.:** **US D540,347 S**
Stephenson et al. (45) **Date of Patent:** **** Apr. 10, 2007**

(54) **ELECTRONIC CONTROLLER AND HYDRAULIC VALVE BLOCK ASSEMBLY**

(75) Inventors: **Dwight B. Stephenson**, Oconomowoc, WI (US); **Michael J. Paik**, Delafield, WI (US); **Peter A. Jahnke**, Waukesha, WI (US)

(73) Assignee: **HUSCO International, Inc.**, Waukesha, WI (US)

(**) Term: **14 Years**

(21) Appl. No.: **29/244,584**

(22) Filed: **Dec. 12, 2005**
(Under 37 CFR 1.47)

(51) **LOC (8) Cl.** **15-01**
(52) **U.S. Cl.** **D15/5**
(58) **Field of Classification Search** D15/1-5;
123/198 E, 192.1, 568.18, 568.21, 90.11,
123/90.15, 90.16; D23/233, 245, 247; 137/596.13,
137/596.16, 596.18; D13/147
See application file for complete search history.

(56) **References Cited**

U.S. PATENT DOCUMENTS

4,194,719	A	*	3/1980	Ewald et al.	251/30.01
4,357,955	A		11/1982	Sauer		
4,941,508	A		7/1990	Hennessy et al.		
5,056,561	A		10/1991	Byers		
5,372,060	A	*	12/1994	Maruyama et al.	91/436
5,715,865	A		2/1998	Wilke		
5,752,426	A		5/1998	Ikei et al.		
D406,320	S	*	3/1999	Lynch et al.	D23/245
5,913,333	A	*	6/1999	Biener et al.	137/625.64
D414,844	S	*	10/1999	Lynch et al.	D23/245
D433,481	S	*	11/2000	Kaneko et al.	D23/233

6,186,172	B1		2/2001	Yoshida		
6,408,876	B1		6/2002	Nishimura et al.		
6,505,645	B1		1/2003	Pack et al.		
6,775,974	B2		8/2004	Tabor		
D513,786	S	*	1/2006	Montano et al.	D23/233
D520,520	S	*	5/2006	Nimberger	D15/5
D526,965	S	*	8/2006	Chien Chiu	D13/147
2004/0099316	A1	*	5/2004	Koetter	137/596.13
2005/0211320	A1		9/2005	Greenwood		

* cited by examiner

Primary Examiner—Ian Simmons

Assistant Examiner—Maurice Stevens

(74) *Attorney, Agent, or Firm*—Quarles & Brady LLP; George E. Haas

(57) **CLAIM**

The ornamental design for an electronic controller and hydraulic valve block assembly, as shown and described.

DESCRIPTION

In a preferred embodiment, the nature of this product is as a housing for and electronic controller primarily useful for containing an electronic circuit that forms a controller for operating a machine, and in particular for controlling valves that operate hydraulic actuators.

FIG. 1 is a downward perspective view from a right front corner of an electronic controller and hydraulic valve block assembly embodying the new design;

FIG. 2 is an upward perspective view from a left rear corner thereof;

FIG. 3 is a top plan view thereof;

FIG. 4 is a front elevational view thereof;

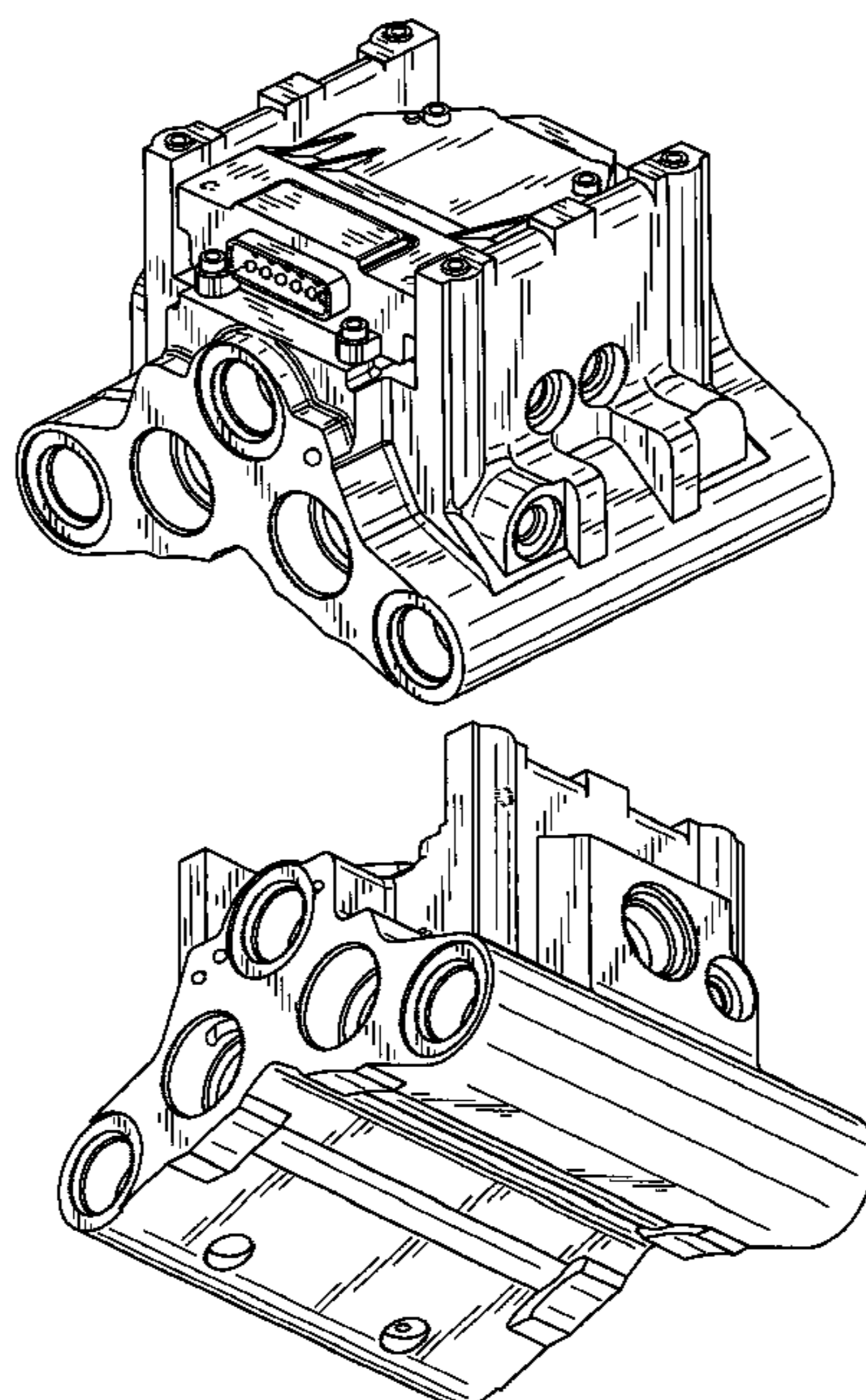
FIG. 5 is a rear elevational view thereof;

FIG. 6 is a bottom plan view thereof;

FIG. 7 is a left side elevational view thereof; and,

FIG. 8 is a right side elevational view thereof.

1 Claim, 4 Drawing Sheets



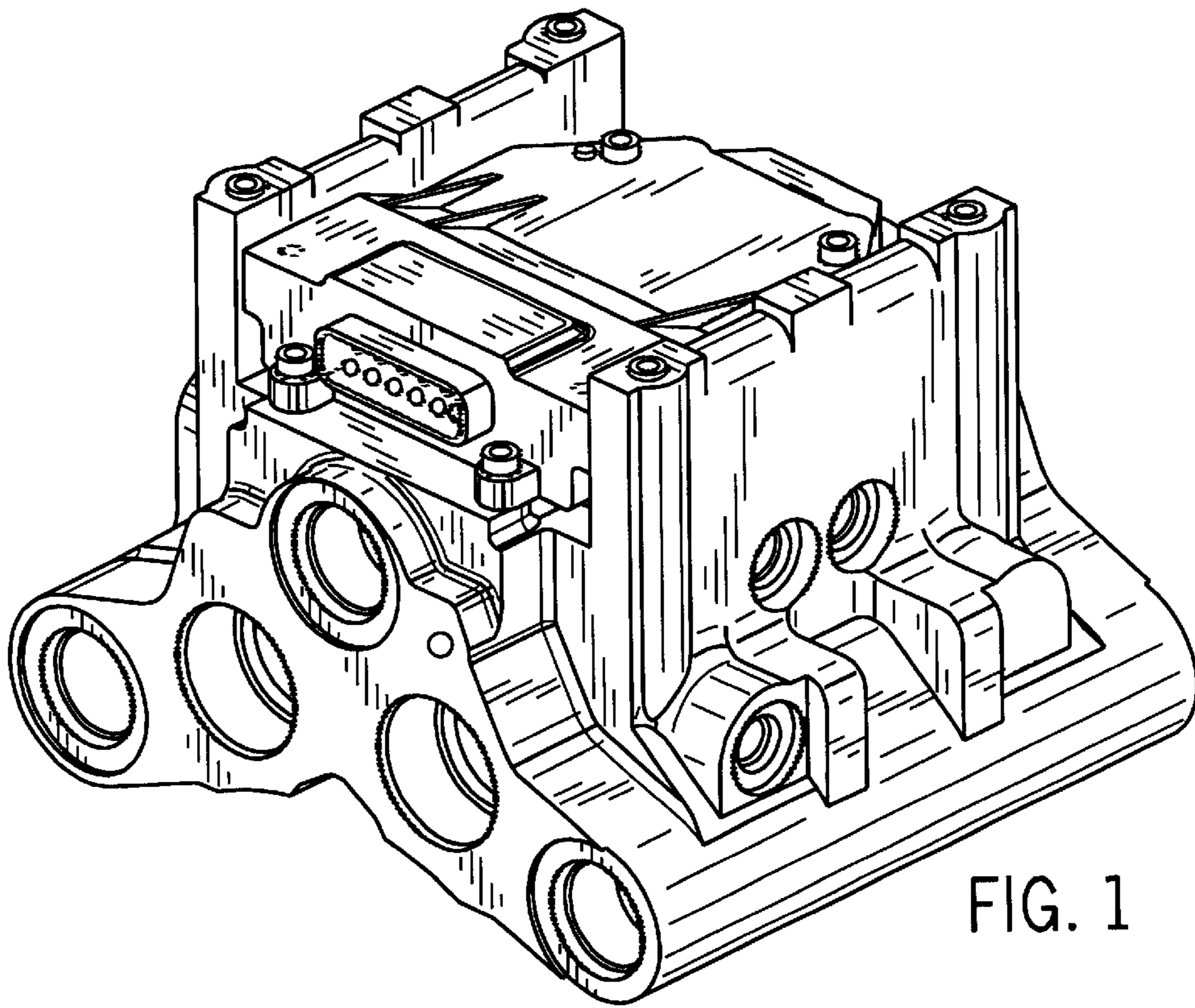


FIG. 1

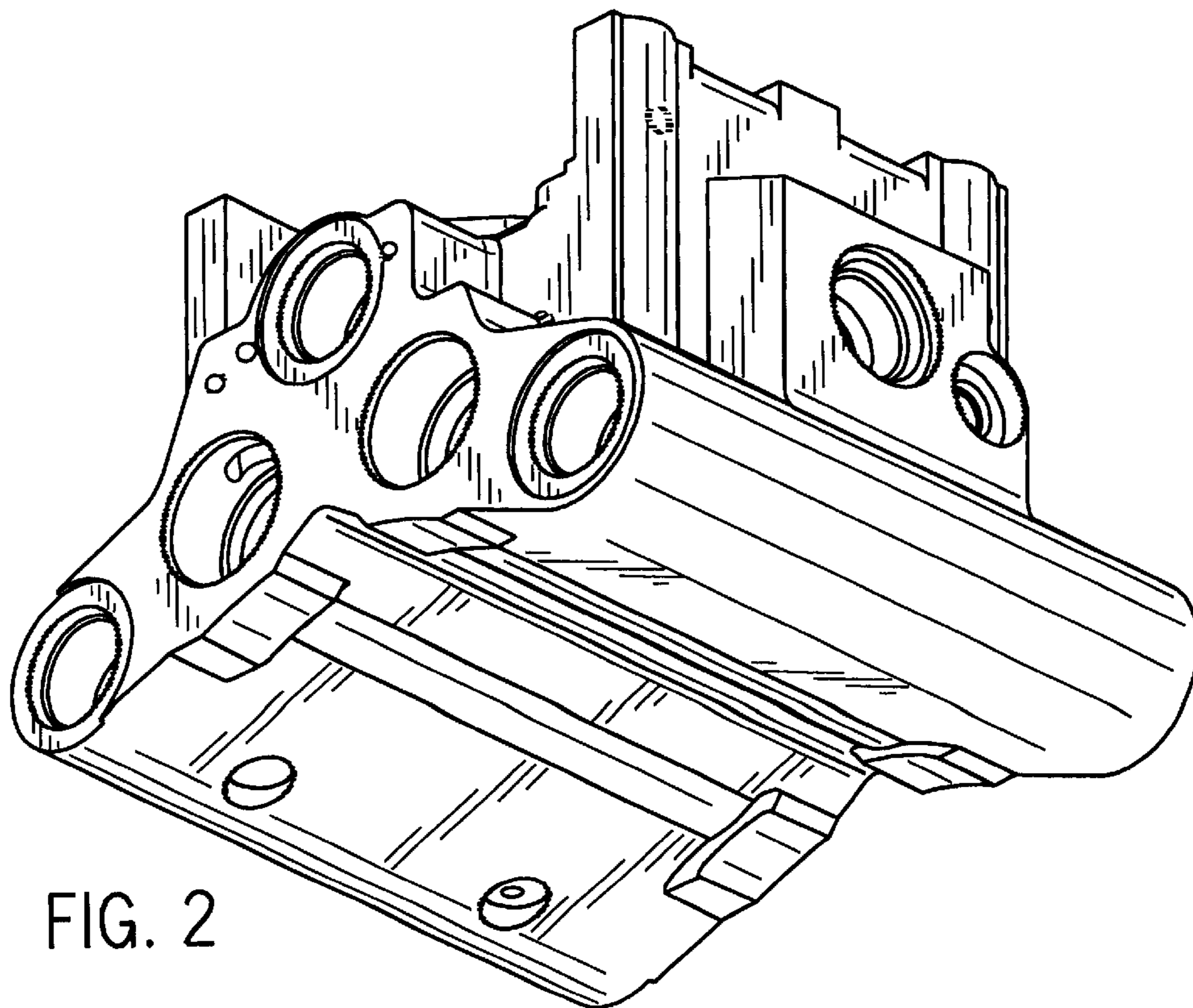


FIG. 2

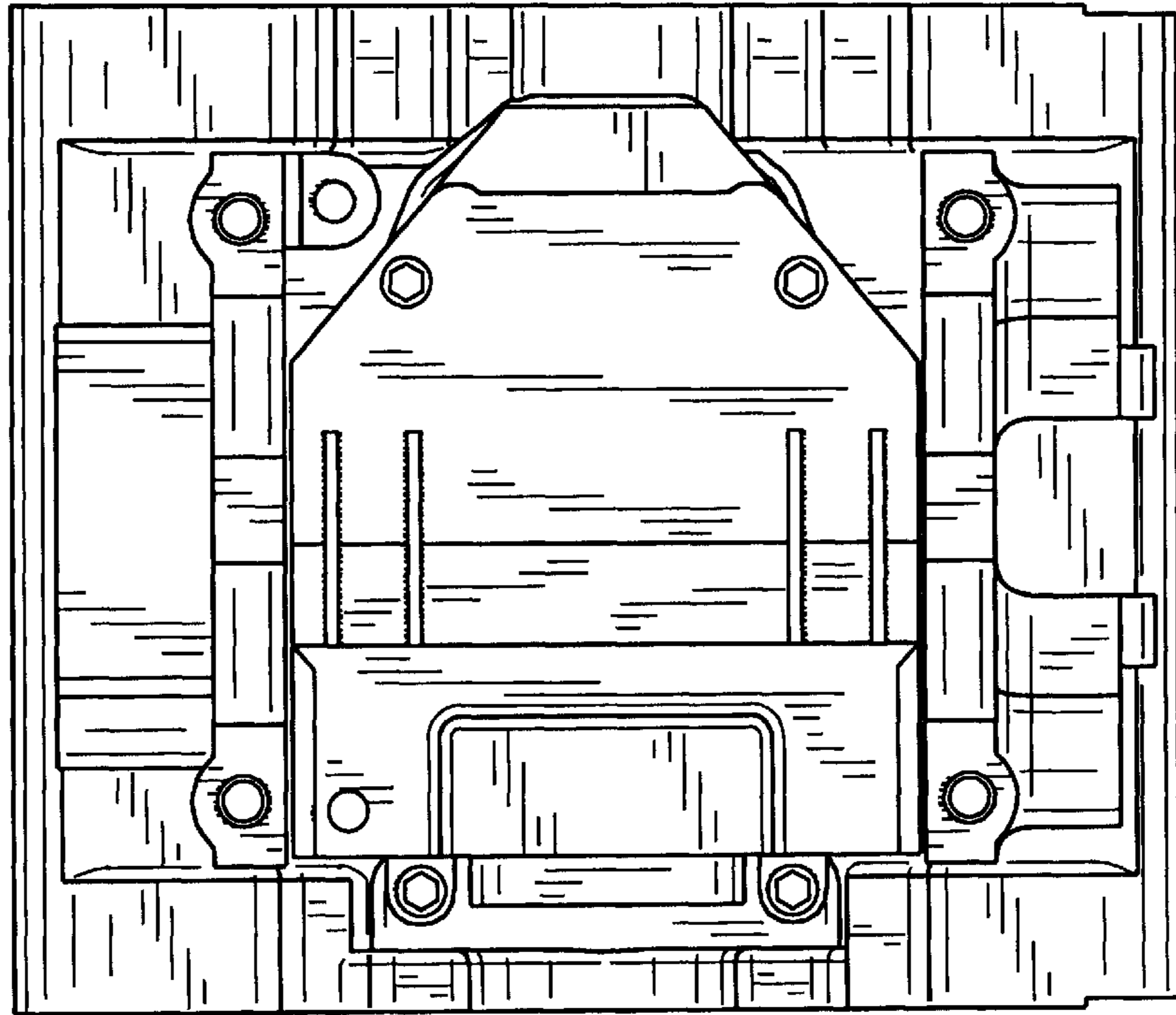


FIG. 3

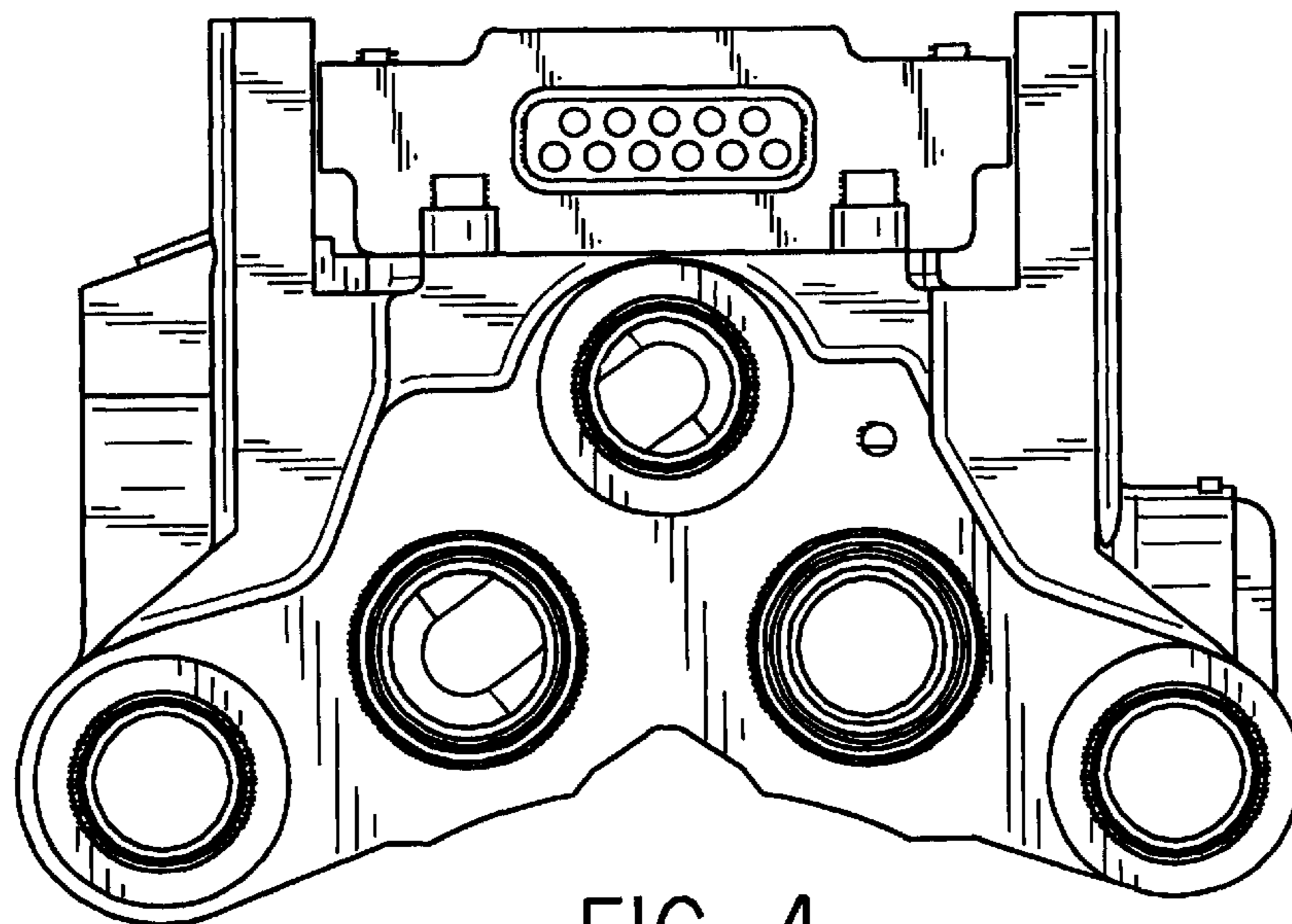


FIG. 4

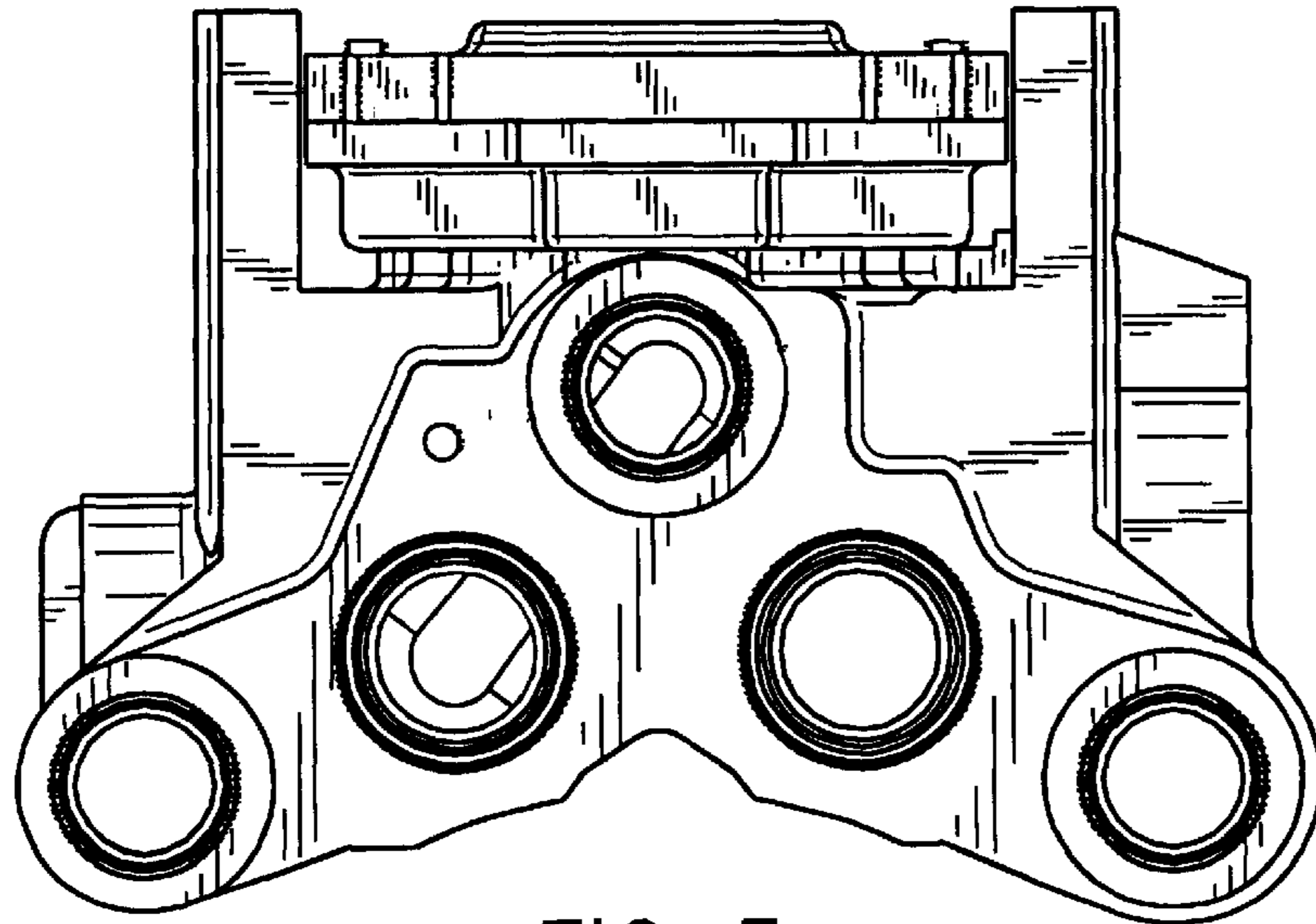


FIG. 5

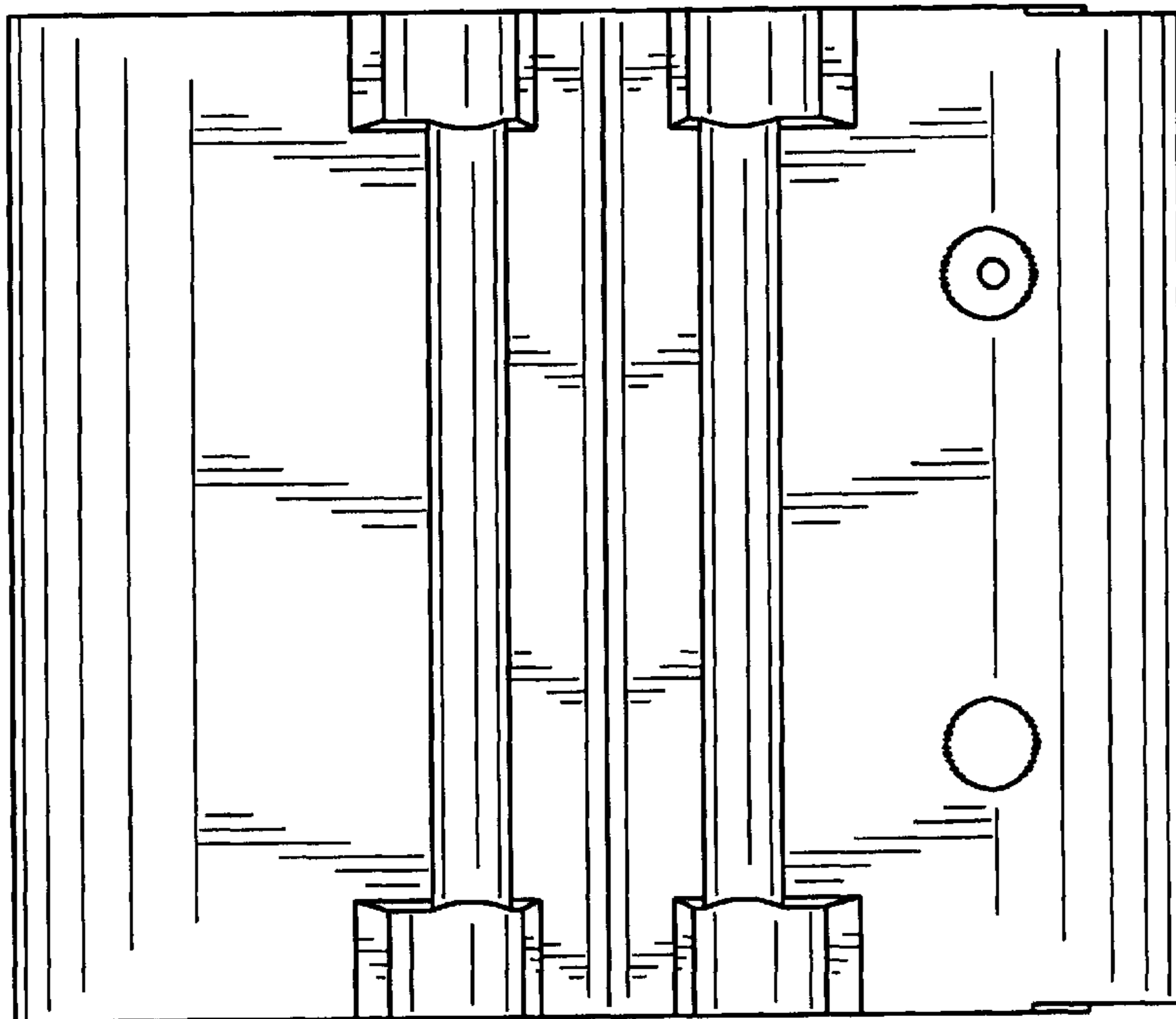


FIG. 6

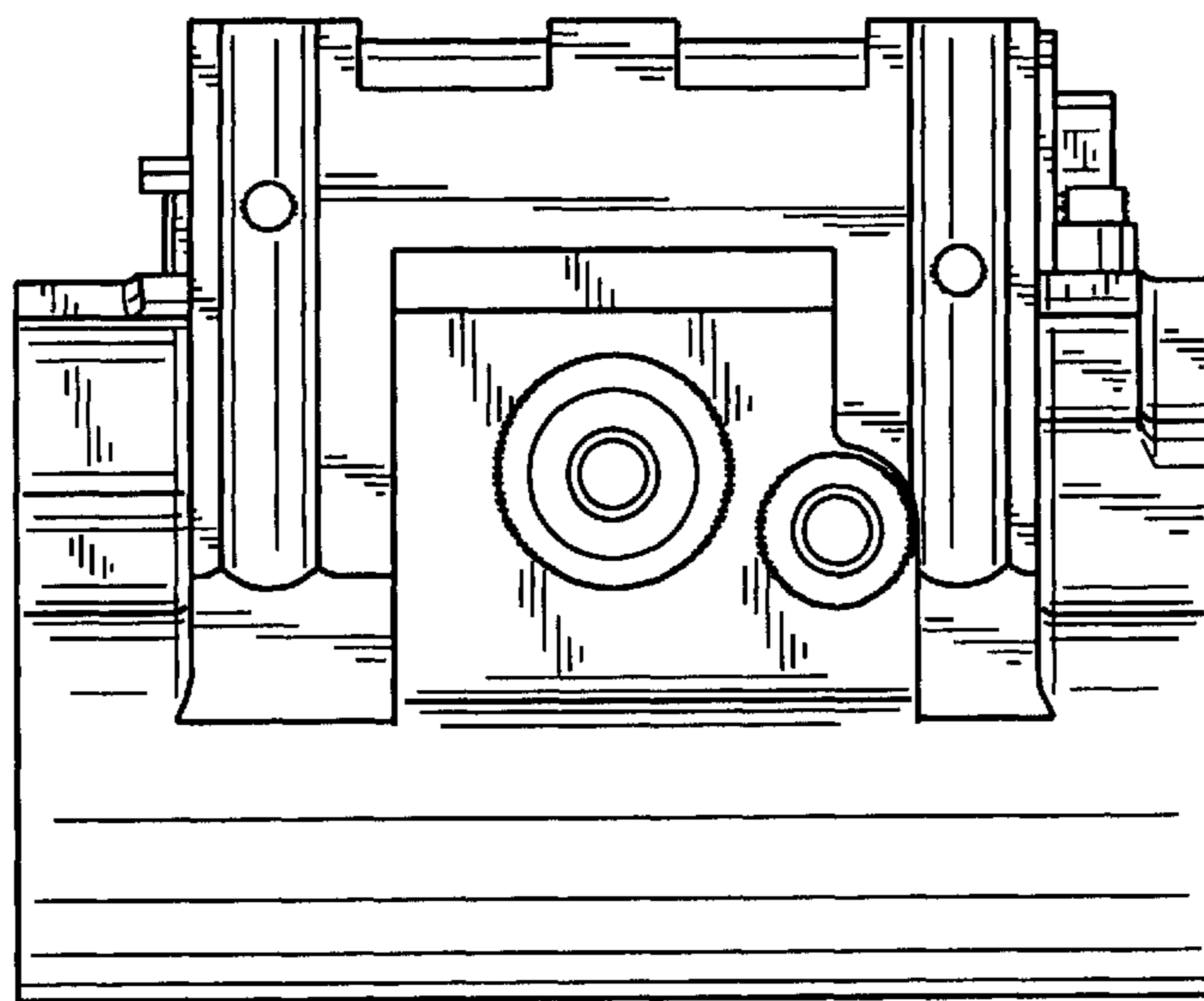


FIG. 7

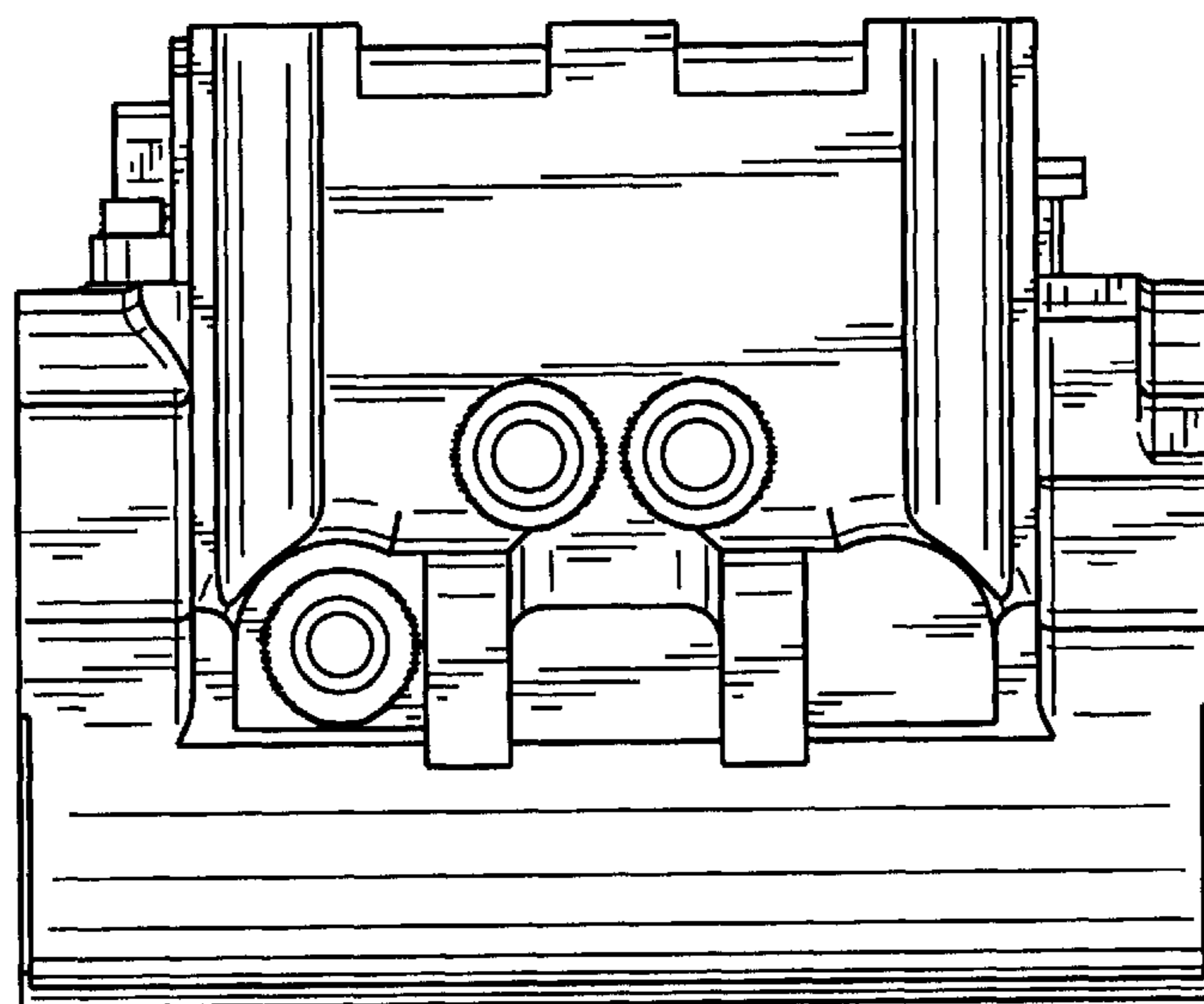


FIG. 8