



US00D540346S

(12) **United States Design Patent**  
**Jaakkola**

(10) **Patent No.:** **US D540,346 S**

(45) **Date of Patent:** **\*\* Apr. 10, 2007**

(54) **PORTION OF A WIRELESS IMAGE HEADSET**

D509,833 S \* 9/2005 Yang ..... D14/496  
D529,021 S \* 9/2006 Jensen et al. .... D14/223  
D530,698 S \* 10/2006 Lee et al. .... D14/138

(75) Inventor: **Mikael Jaakkola**, Turku (FI)

\* cited by examiner

(73) Assignee: **Nokia Corporation**, Espoo (FI)

*Primary Examiner*—Prabhakar Deshmukh

(\*\*) Term: **14 Years**

(74) *Attorney, Agent, or Firm*—Banner & Witcoff, Ltd.

(21) Appl. No.: **29/224,733**

(57) **CLAIM**

(22) Filed: **Mar. 7, 2005**

The ornamental design for a portion of a wireless image headset, as shown and described.

(30) **Foreign Application Priority Data**

**DESCRIPTION**

Sep. 7, 2004 (FI) ..... M20040141

(51) **LOC (8) Cl.** ..... **14-03**

(52) **U.S. Cl.** ..... **D14/496; D14/205**

(58) **Field of Classification Search** ..... D14/205,  
D14/206, 217, 223, 224, 226, 168, 496; 379/67.1,  
379/68, 142.01, 433.01, 433.04; 455/90.1–90.3,  
455/575.1, 556.1, 566; 370/342–344  
See application file for complete search history.

FIG. 1 is a front view of a portion of a wireless image headset showing my new design;  
FIG. 2 is a perspective front view thereof;  
FIG. 3 is a right side view thereof;  
FIG. 4 is a left side view thereof;  
FIG. 5 is a perspective rear view thereof;  
FIG. 6 is a rear view thereof;  
FIG. 7 is a perspective front view of the portion of a wireless image headset in reduced size with a strap and earpiece shown in broken lines; and,  
FIG. 8 is a perspective rear view of the portion of a wireless image headset in reduced size with a strap and earpiece shown in broken lines.

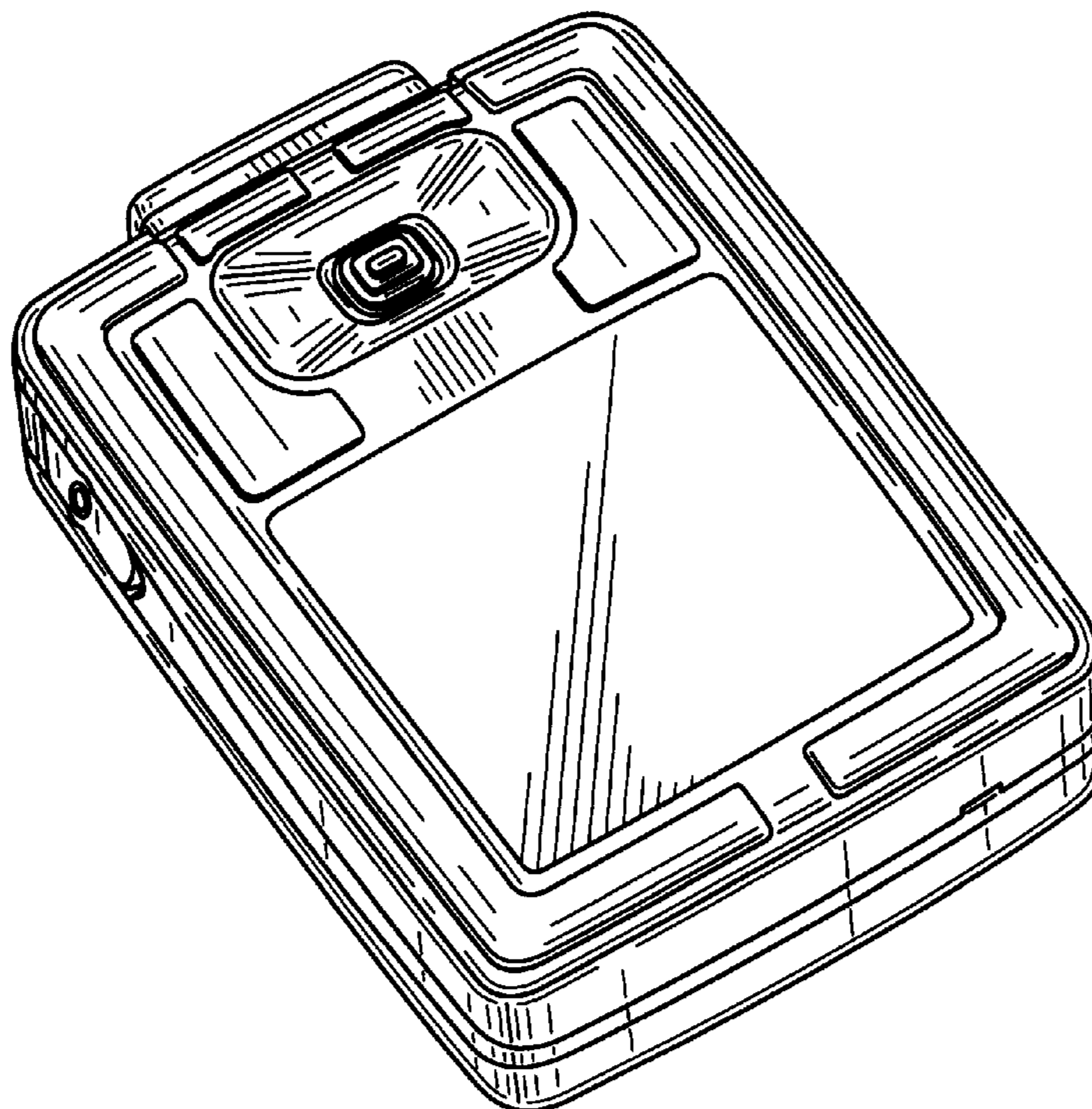
(56) **References Cited**

**U.S. PATENT DOCUMENTS**

4,199,721 A \* 4/1980 Ono et al. .... 455/77  
D295,404 S \* 4/1988 Tokiyama ..... D14/137  
D321,692 S \* 11/1991 Siddoway et al. .... D14/226  
5,179,367 A \* 1/1993 Shimizu ..... 248/317  
5,368,270 A \* 11/1994 Wiwczar ..... 248/610  
D493,175 S \* 7/2004 Schmidt et al. .... D14/433

The broken lines showings in the FIGS. 7 and 8 are for illustrative purposes only and form no part of the claimed design.

**1 Claim, 4 Drawing Sheets**



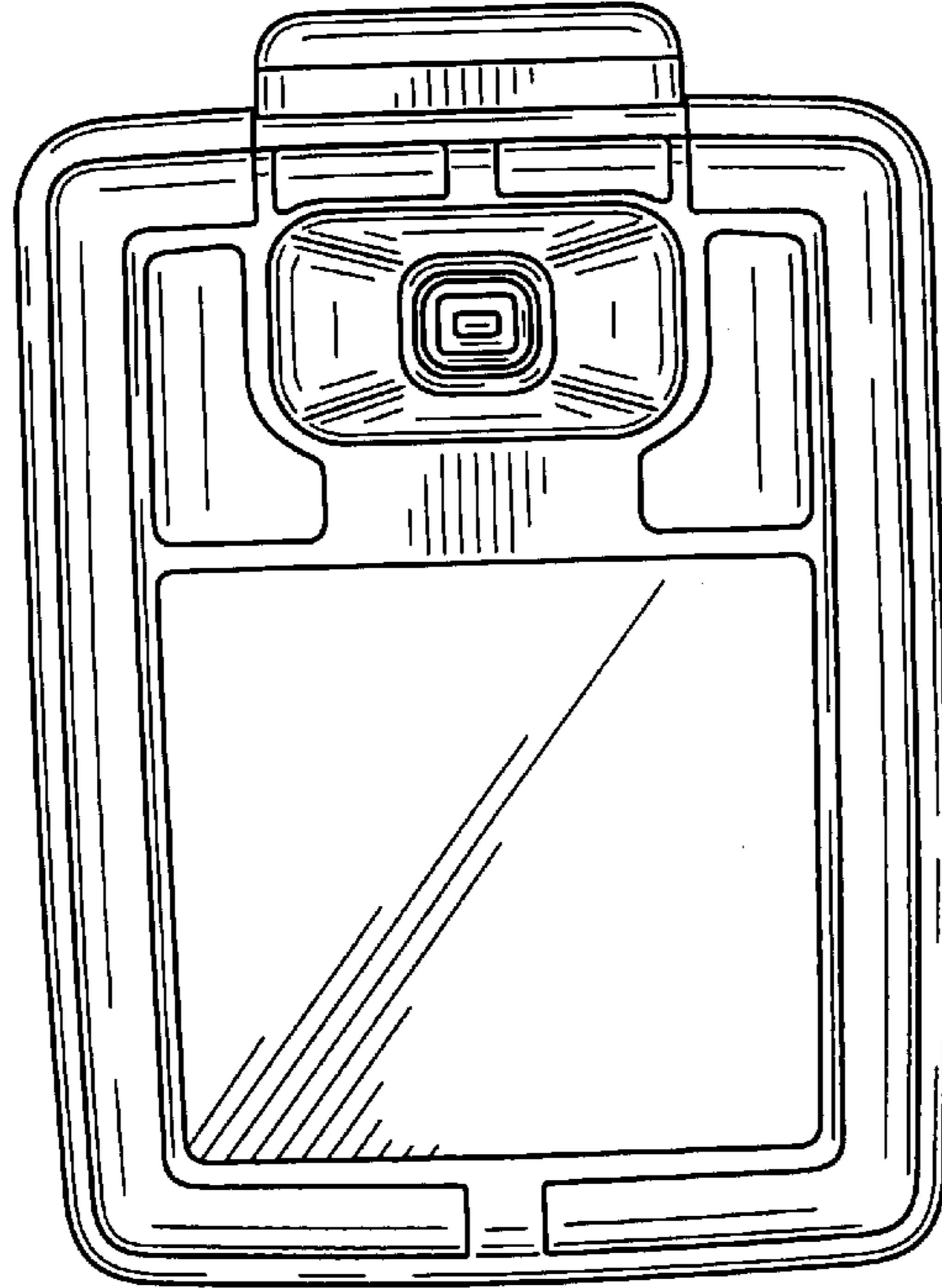


FIG. 1

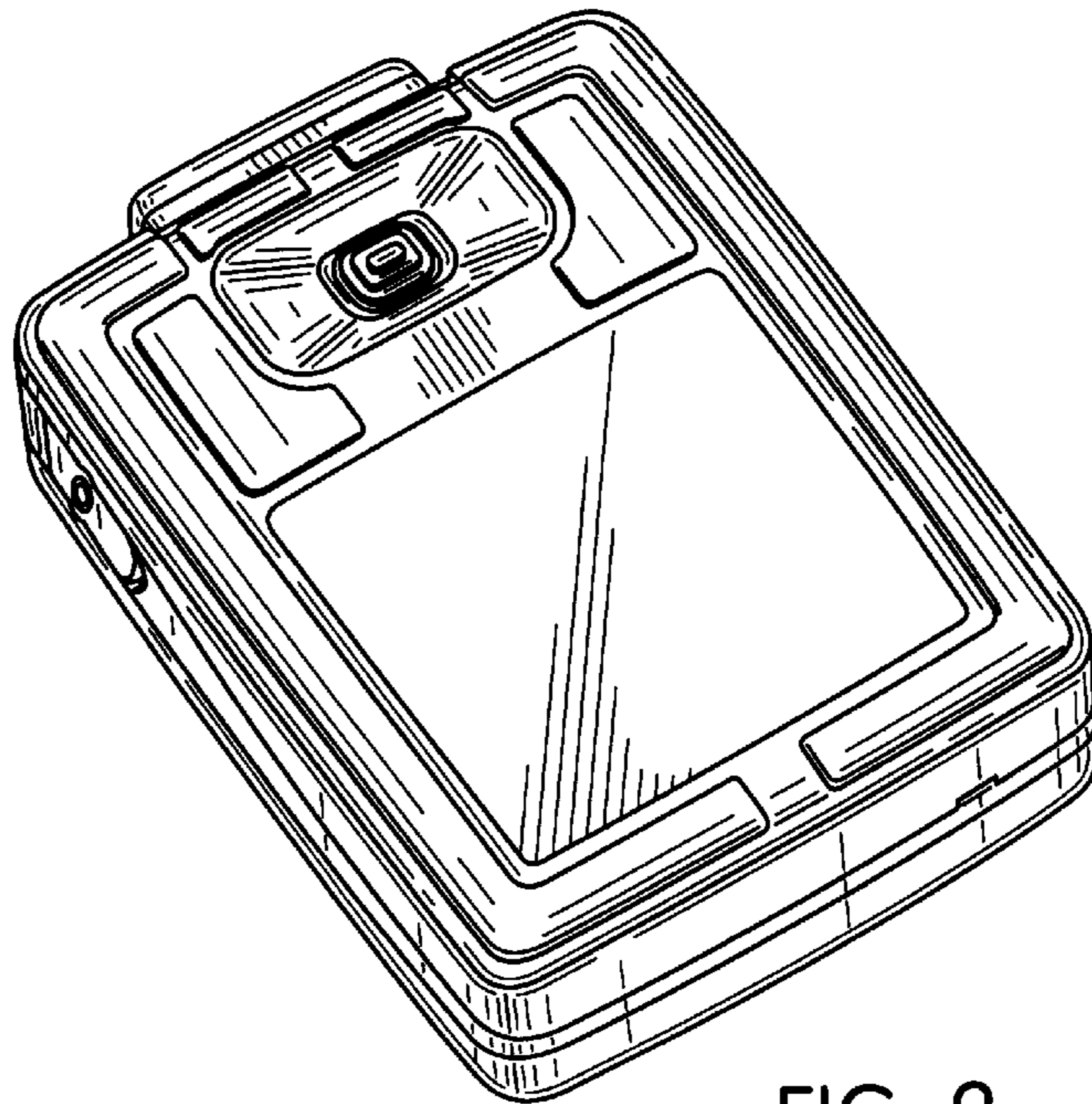


FIG. 2

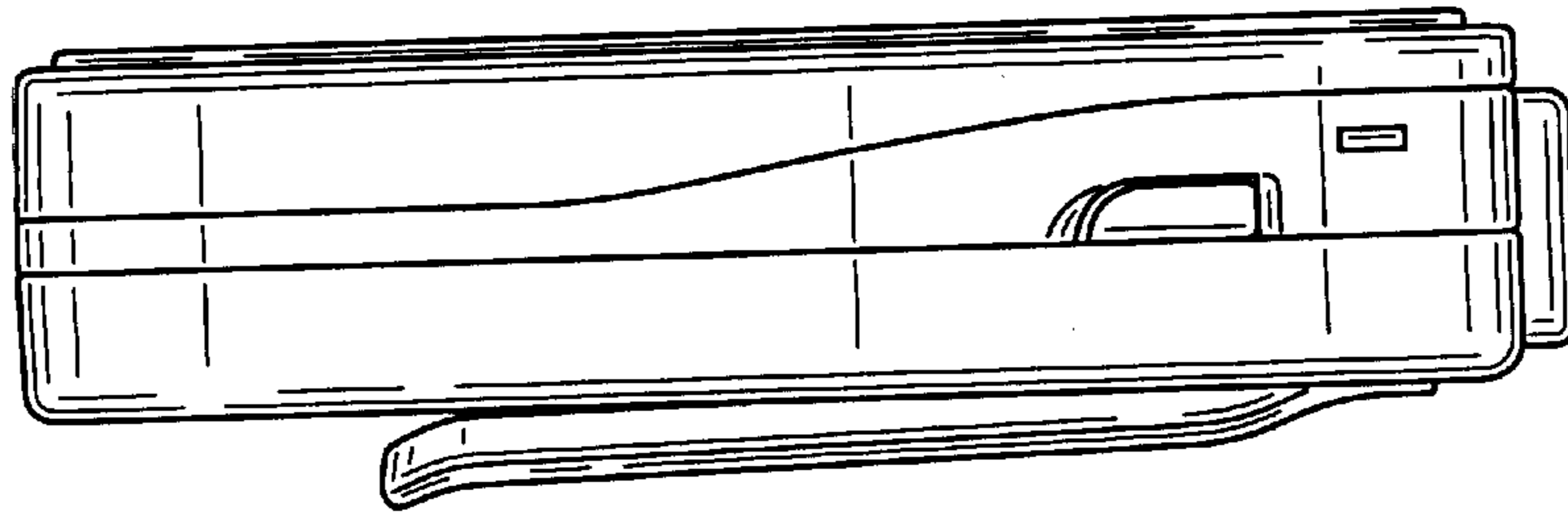


FIG. 3

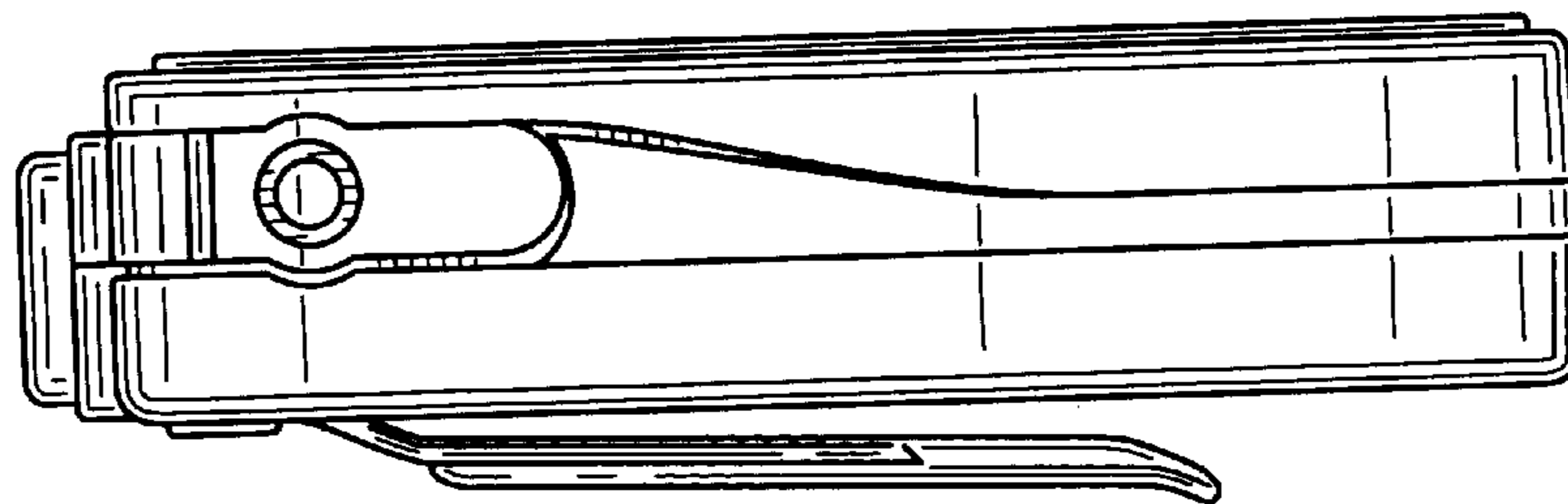


FIG. 4

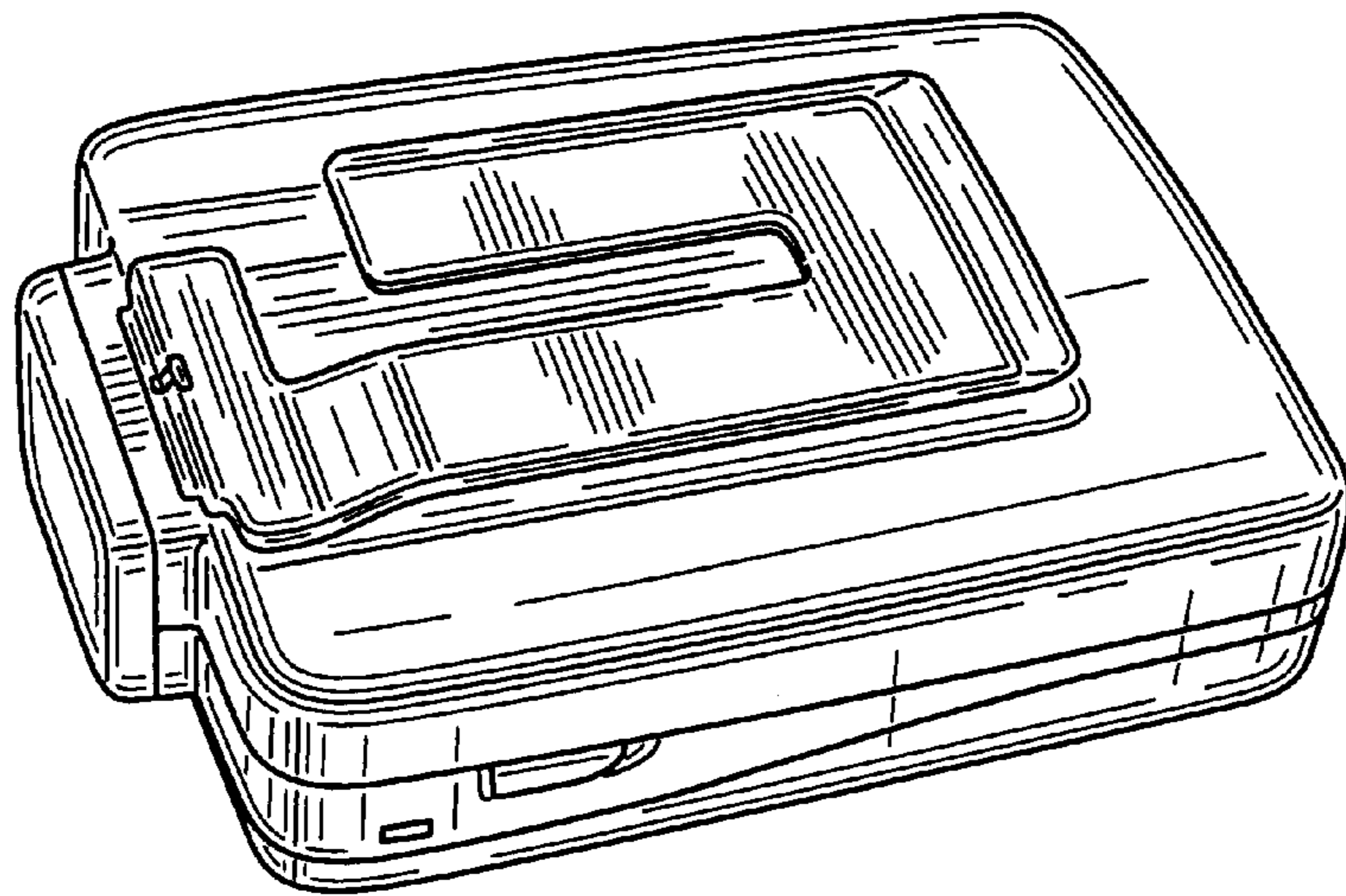


FIG. 5

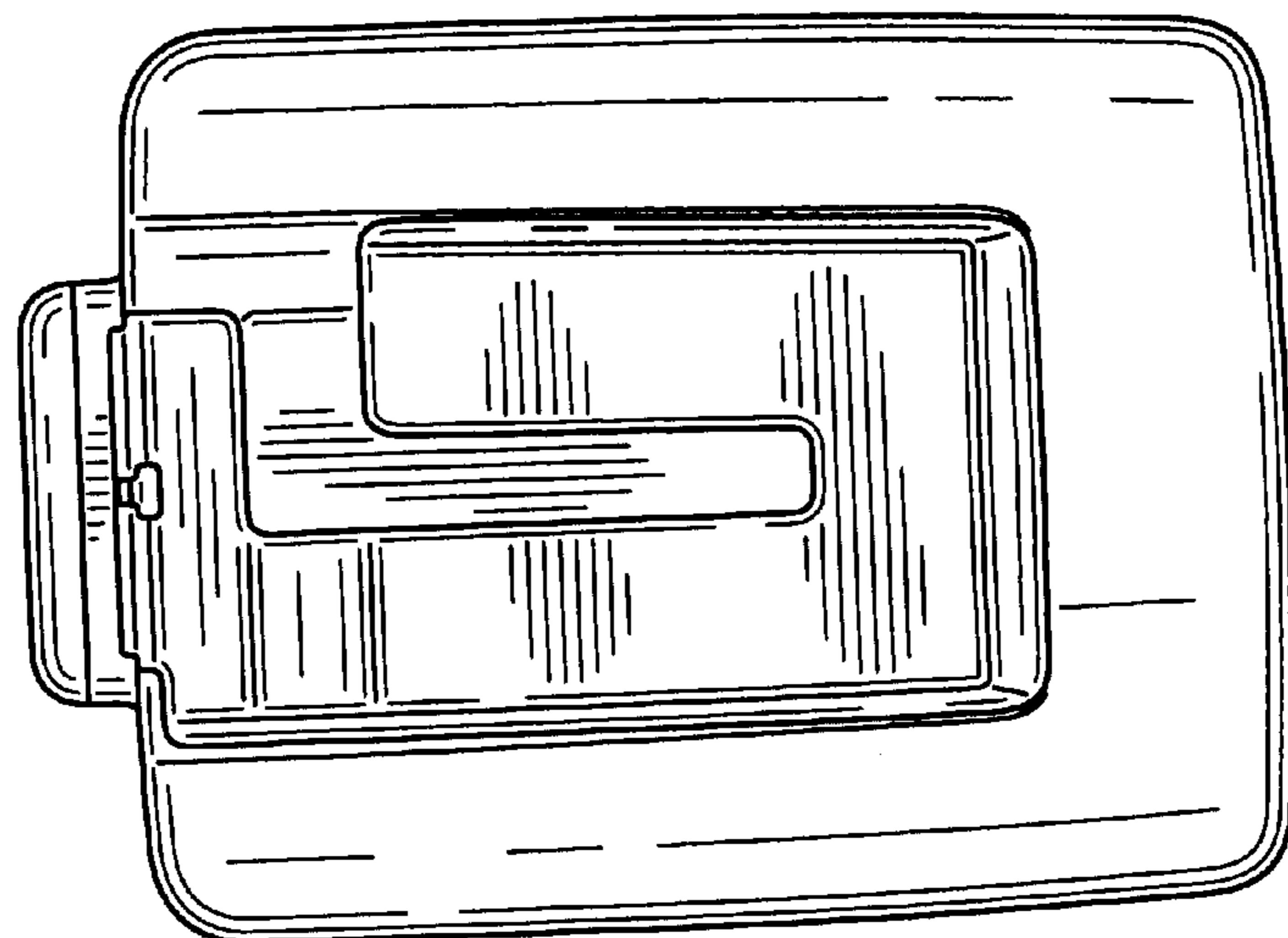


FIG. 6

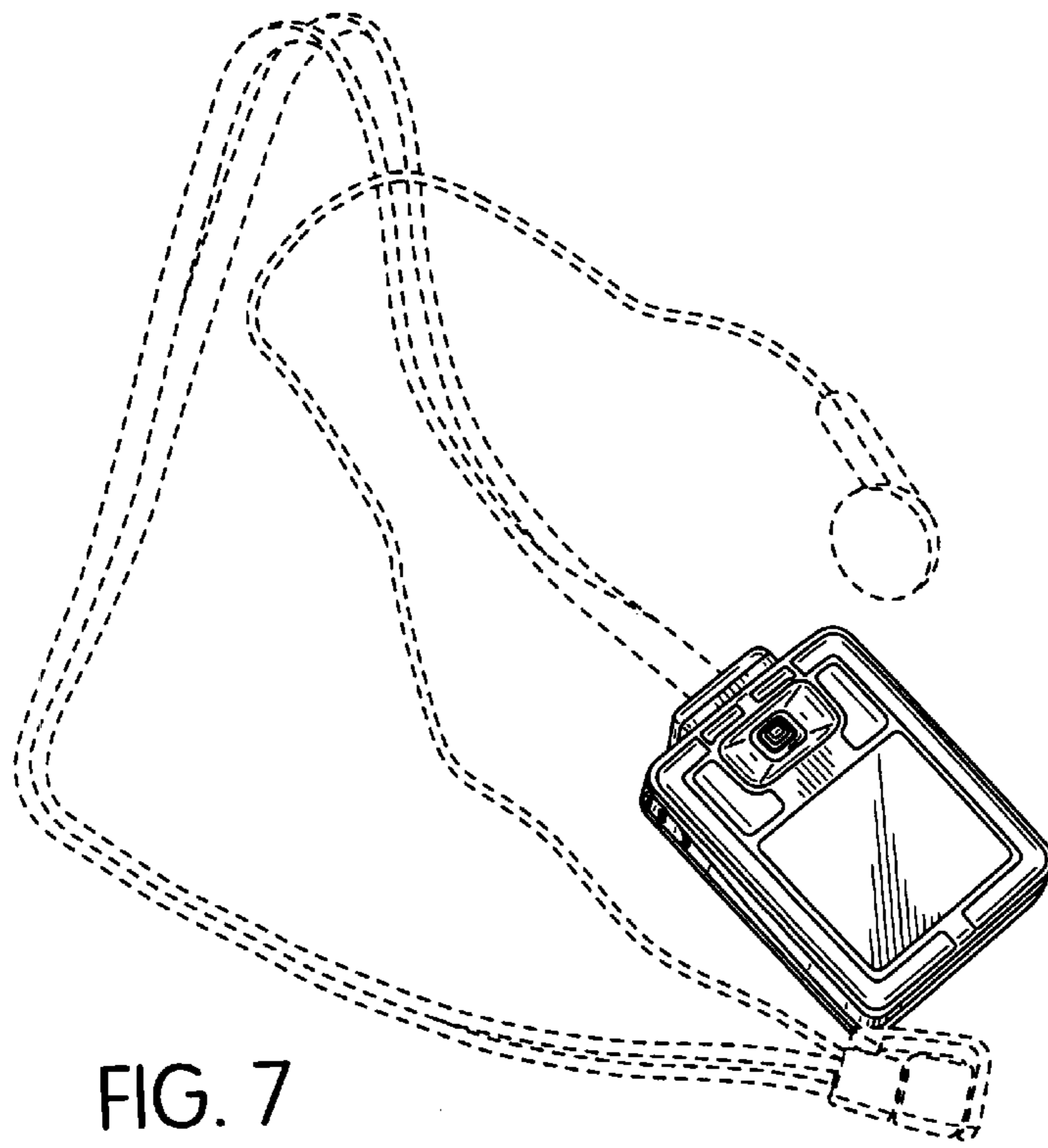


FIG. 7

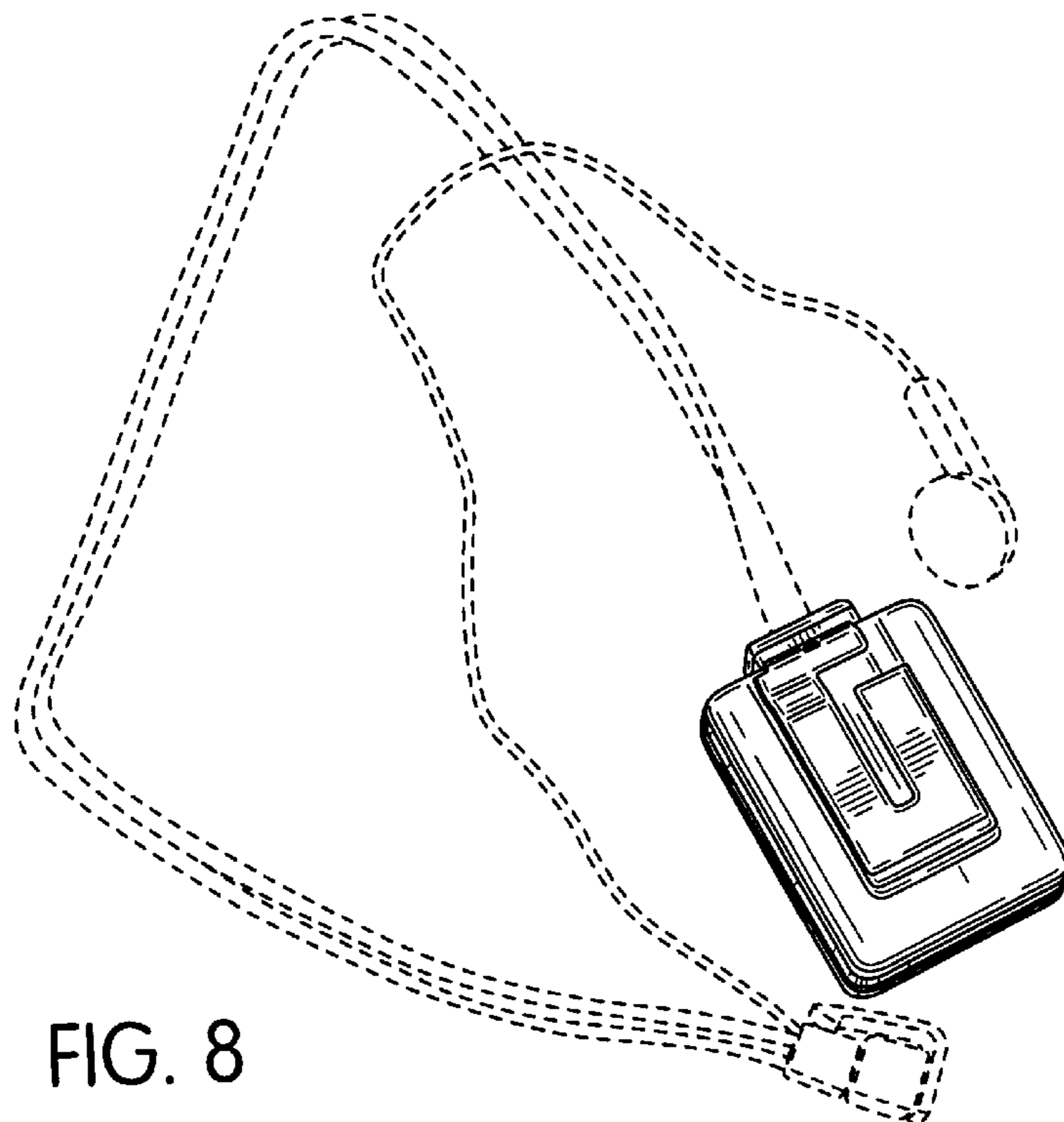


FIG. 8