

US00D540342S

(12) **United States Design Patent** (10) **Patent No.:** **US D540,342 S**  
**Cummins et al.** (45) **Date of Patent:** **\*\* \*Apr. 10, 2007**

(54) **IMAGE FOR A PORTION OF A DISPLAY SCREEN**  
(75) Inventors: **Charles Cummins**, Seattle, WA (US); **Greg S. Melander**, Redmond, WA (US); **Michael James Hone**, Seattle, WA (US); **Mark R. Ligameri**, Snohomish, WA (US)  
(73) Assignee: **Microsoft Corporation**, Redmond, WA (US)  
(\* ) Notice: This patent is subject to a terminal disclaimer.  
(\*\* ) Term: **14 Years**  
(21) Appl. No.: **29/228,362**  
(22) Filed: **Apr. 22, 2005**  
(51) **LOC (8) Cl.** ..... **14-04**  
(52) **U.S. Cl.** ..... **D14/487**  
(58) **Field of Classification Search** ..... 715/500.1, 715/501.1, 526, 530-31, 539, 708, 711, 717, 715/723, 726, 733, 738, 753, 762, 763-4, 715/767-69, 778-82, 788, 790, 793-94, 715/797-8, 802-10, 835-40, 848-856, 862-63, 715/976, 978; D14/485-94; D18/24-33; D21/324-33; 434/43, 38; 382/305; 400/76; 710/5, 73; 707/102, 2; 463/32, 16; 717/170; 705/26, 27; 345/757, 782, 848, 852, 850, 345/809, 837, 798, 752, 163, 156, 537, 474, 345/836, 419, 649, 656, 659, 426, 427, 582, 345/428, 440, 660, 634, 902, 418, 629

See application file for complete search history.

(56) **References Cited**

**U.S. PATENT DOCUMENTS**

4,912,657 A \* 3/1990 Saxton et al. .... 715/853  
4,970,664 A \* 11/1990 Kaiser et al. .... 715/804  
5,299,307 A \* 3/1994 Young ..... 715/861  
5,396,621 A \* 3/1995 MacGregor et al. .... 715/809  
5,412,774 A \* 5/1995 Agrawal et al. .... 715/804  
5,452,406 A \* 9/1995 Butler et al. .... 345/426

5,513,306 A \* 4/1996 Mills et al. .... 715/530  
D392,963 S \* 3/1998 Coleman ..... D14/489  
D397,687 S \* 9/1998 Arora et al. .... D14/489  
D401,920 S 12/1998 Murphy et al.  
D402,284 S \* 12/1998 Coleman ..... D14/487  
D404,385 S \* 1/1999 Hodgson ..... D14/486  
5,889,523 A \* 3/1999 Wilcox et al. .... 715/854  
5,910,800 A \* 6/1999 Shields et al. .... 715/711  
D416,241 S \* 11/1999 Faris et al. .... D14/487  
D419,981 S \* 2/2000 Coleman ..... D14/487  
D424,037 S \* 5/2000 Coleman ..... D14/487  
D424,543 S \* 5/2000 Hodgson ..... D14/487  
D435,561 S \* 12/2000 Pettigrew et al. .... D14/487  
6,191,786 B1 \* 2/2001 Eyzaguirre et al. .... 715/853  
D443,597 S \* 6/2001 Coleman ..... D14/486  
D445,427 S \* 7/2001 Faris et al. .... D14/487  
D450,059 S 11/2001 Itou  
D450,324 S 11/2001 Istvan et al.  
D454,574 S \* 3/2002 Wasko et al. .... D14/487  
D475,063 S 5/2003 Horie  
6,593,945 B1 \* 7/2003 Nason et al. .... 715/779  
D481,736 S 11/2003 Ombao et al.  
D486,834 S 2/2004 Allen et al.  
6,718,519 B1 \* 4/2004 Taieb ..... 715/542  
D501,212 S 1/2005 Lam et al.  
D501,483 S 2/2005 Anthony et al.  
D506,475 S 6/2005 Lam et al.  
D507,276 S 7/2005 Lam et al.  
D508,919 S 8/2005 Lam et al.  
2002/0015063 A1 \* 2/2002 Kopitzke et al. .... 345/810  
2003/0107605 A1 \* 6/2003 Iwamura ..... 345/810  
2003/0117446 A1 \* 6/2003 Esposito-Ross et al. .... 345/810  
2003/0132966 A1 \* 7/2003 Simas et al. .... 345/764  
2003/0142141 A1 \* 7/2003 Brown et al. .... 345/805  
2004/0032393 A1 \* 2/2004 Brandenburg et al. .... 345/156  
2004/0032394 A1 \* 2/2004 Ayatsuka et al. .... 345/156  
2004/0036721 A1 \* 2/2004 Anderson et al. .... 345/848

\* cited by examiner

*Primary Examiner*—M. H. Tung

*Assistant Examiner*—Susan Moon Lee

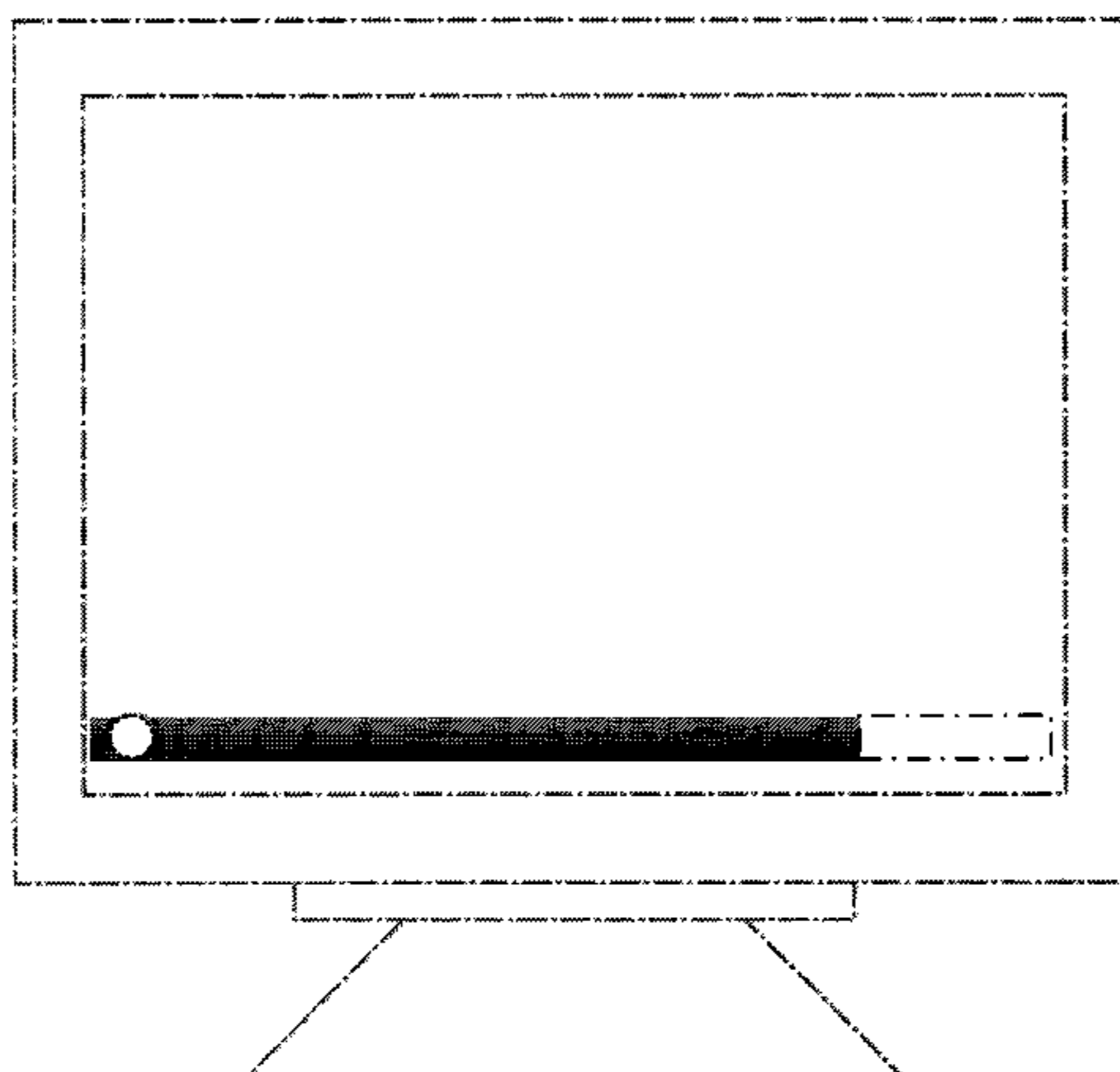
(74) *Attorney, Agent, or Firm*—Banner & Witcoff, Ltd.

(57) **CLAIM**

We claim the ornamental design for an image for a portion of a display screen, as shown and described.

**DESCRIPTION**

FIG. 1 is a front view of an image for a portion of a display



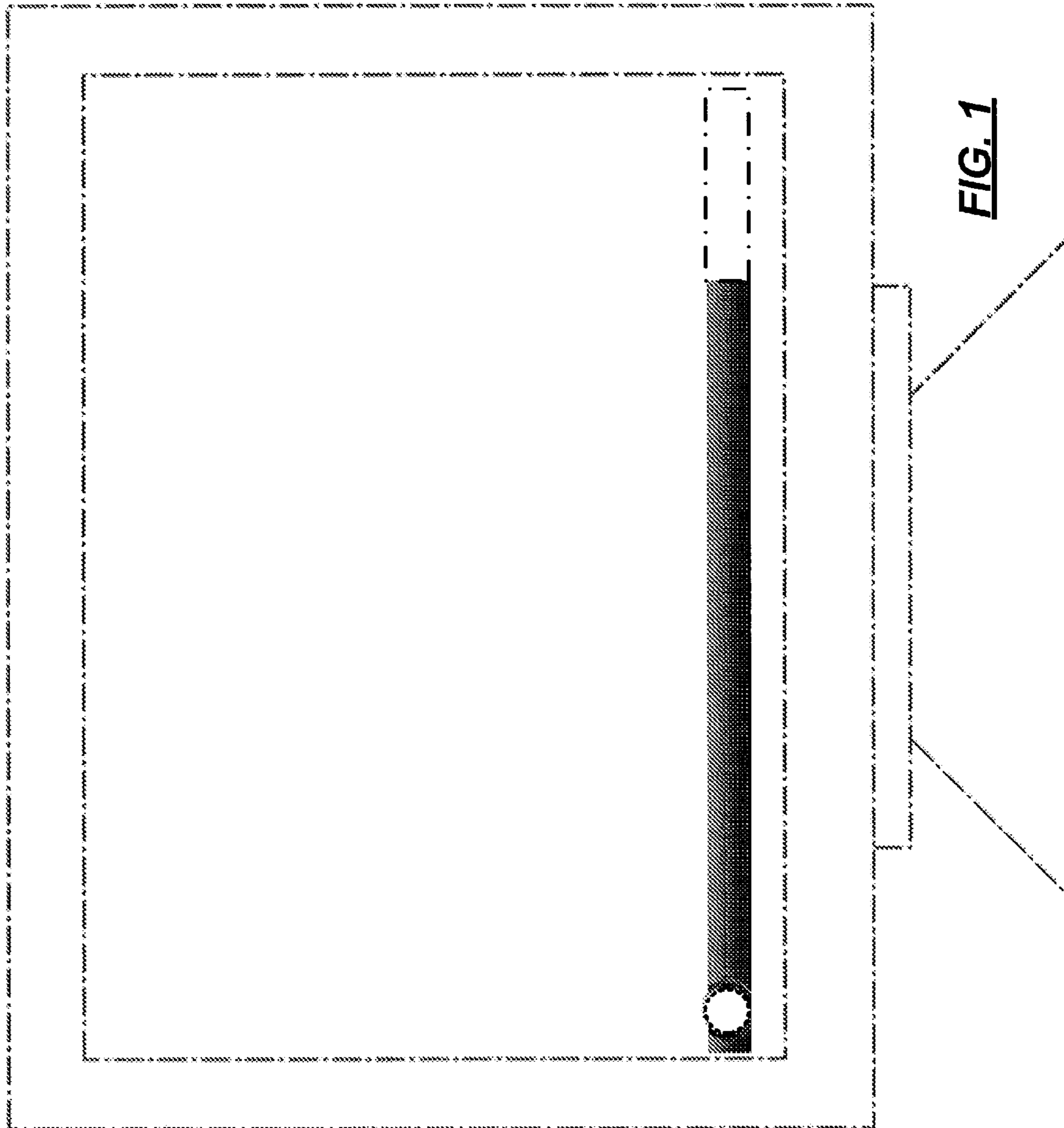
screen showing our new design.

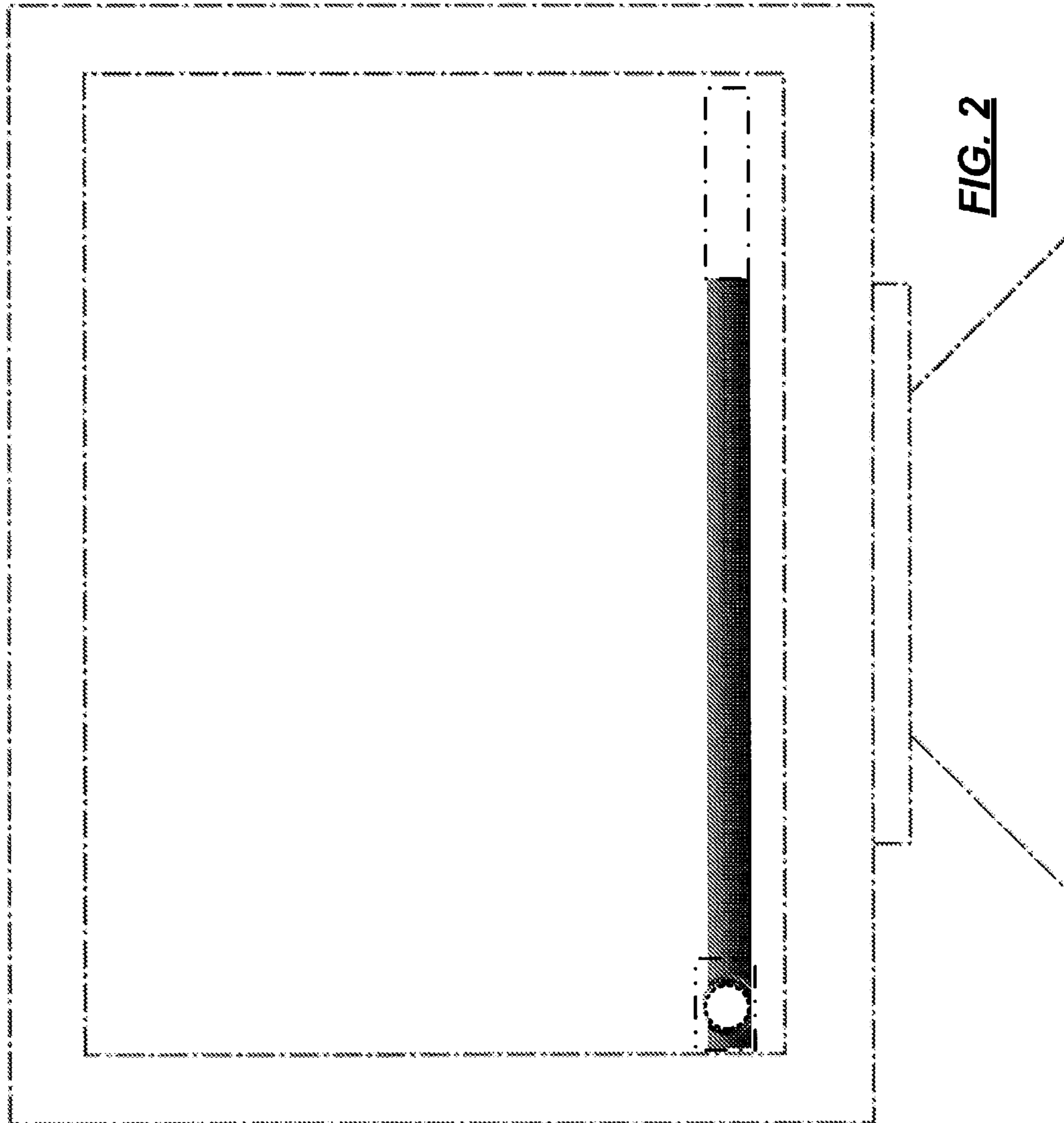
FIG. 2 is a front view thereof with the region annexed with broken line around the taskbar button to indicate where the enlargement of FIG. 3 is taken from; and,

FIG. 3 is an enlarged view for clarity of the broken line annexed region indicated in FIG. 2.

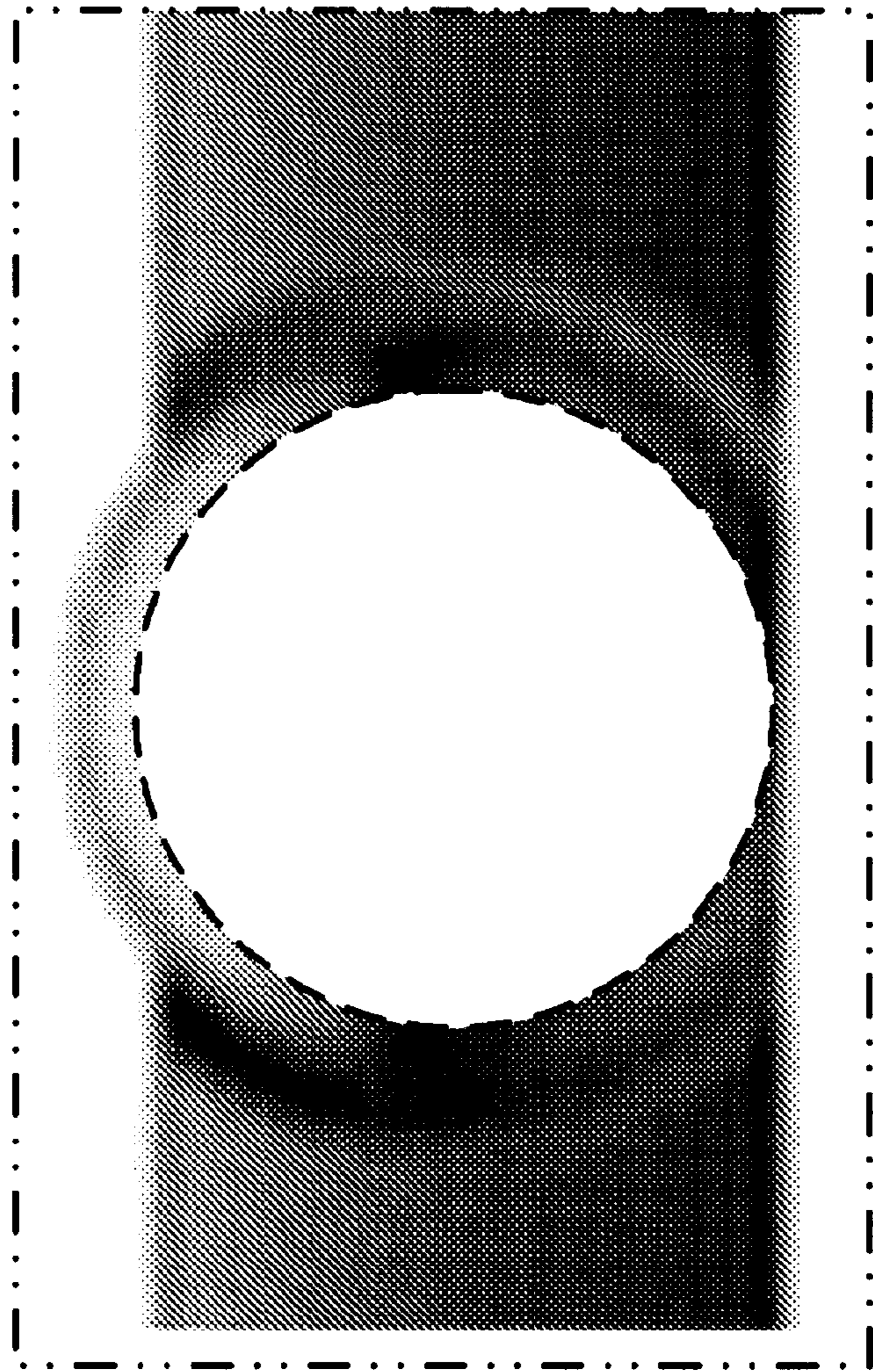
The broken line showing of a display screen and the remainder of the taskbar in FIGS. 1, 2 are for illustrative purposes only and form no part of the claimed design. Additionally, the broken line rectangle around the region of the taskbar button in FIGS. 2, 3 are employed merely to indicate where the enlargement of FIG. 3 is taken from.

**1 Claim, 3 Drawing Sheets**









**FIG. 3**