

US00D540332S

(12) **United States Design Patent**
Dittmer et al.

(10) **Patent No.:** **US D540,332 S**
(45) **Date of Patent:** **** Apr. 10, 2007**

(54) **MOUNTING ARM FOR ELECTRONIC DISPLAY**

(75) Inventors: **Jay Dittmer**, Prior Lake, MN (US);
Jeff Bremmon, Shakopee, MN (US)

(73) Assignee: **CSAV, Inc.**, Wellesley, MA (US)

(**) Term: **14 Years**

(21) Appl. No.: **29/231,711**

(22) Filed: **Jun. 7, 2005**

(51) **LOC (8) Cl.** **08-07**

(52) **U.S. Cl.** **D14/452**

(58) **Field of Classification Search** D8/363,
D8/373, 380; D14/452, 214, 224; 248/274.1,
248/284.1

See application file for complete search history.

(56) **References Cited**

U.S. PATENT DOCUMENTS

5,842,672	A	12/1998	Sweere et al.	
6,367,756	B1	* 4/2002	Wang	248/278.1
6,409,134	B1	6/2002	Oddsens, Jr.	
D488,708	S	* 4/2004	Lam et al.	D8/363
D496,367	S	* 9/2004	Pfister	D14/451
6,905,101	B1	6/2005	Dittmer	
6,935,883	B2	8/2005	Oddsens, Jr.	
2002/0011544	A1	* 1/2002	Bosson	248/121

OTHER PUBLICATIONS

Chief Manufacturing, Inc., *Full-Line Product Guide 2004*, Jan. 2004, pp. 1–64.

Chief Manufacturing, Inc. *the focus: Presentation Support Solutions*, Full-Line Product Guide, Apr. 2002, pp. 1–68.

* cited by examiner

Primary Examiner—Holly H. Baynham

(74) *Attorney, Agent, or Firm*—Patterson, Thuents, Skaar & Christensen, P.A.

(57) **CLAIM**

We claim the ornamental design for mounting arm for electronic display, as shown.

DESCRIPTION

FIG. 1 is a front perspective view of a mounting arm for electronic display according to the invention;

FIG. 2 is a front elevation view of a mounting arm for electronic display according to the invention;

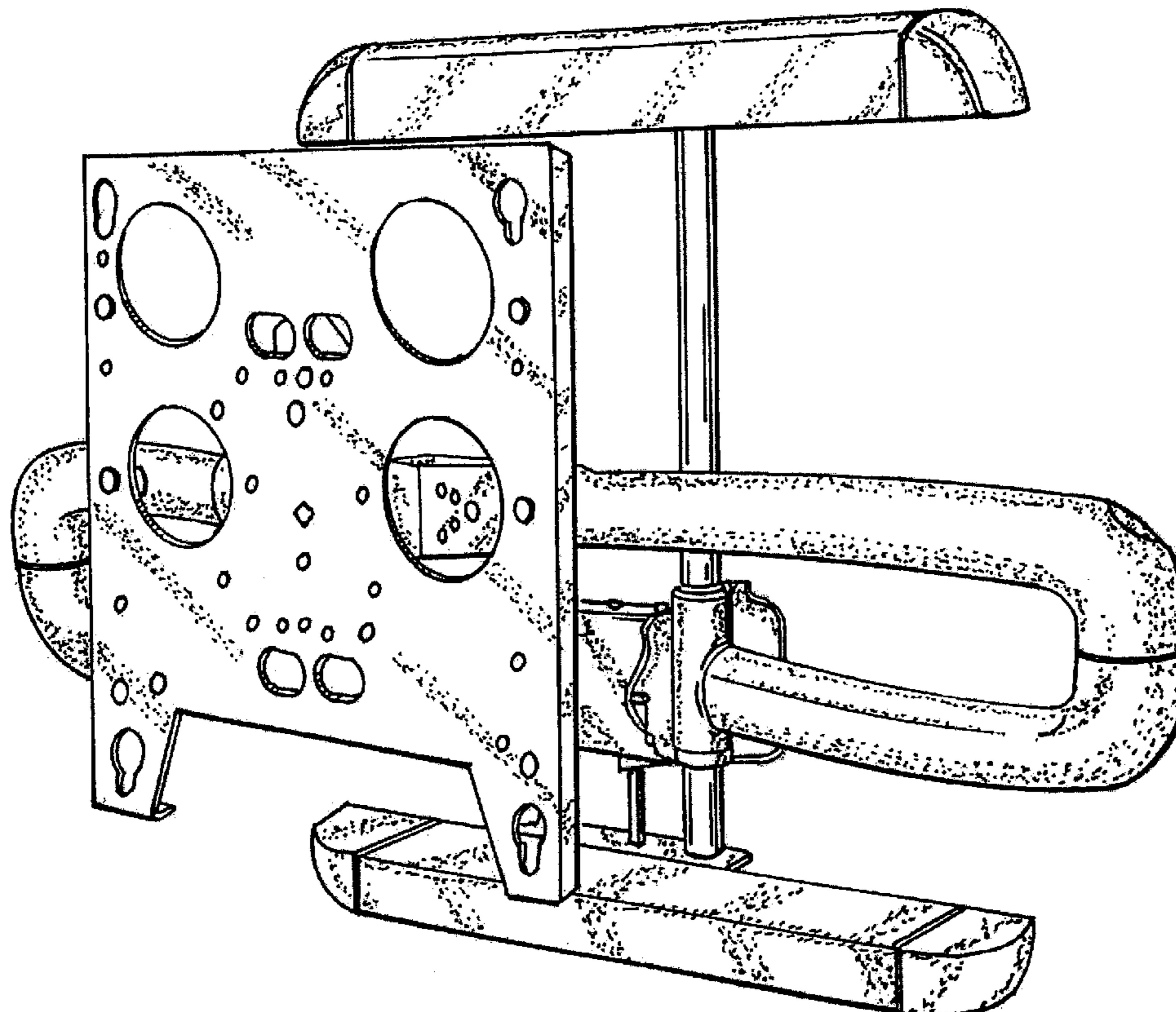
FIG. 3 is a rear elevation view of a mounting arm for electronic display according to the invention;

FIG. 4 is a top plan view of a mounting arm for electronic display according to the invention;

FIG. 5 is a bottom plan view of a mounting arm for electronic display according to the invention; and,

FIG. 6 is a side elevation view of a mounting arm for electronic display according to the invention.

1 Claim, 6 Drawing Sheets



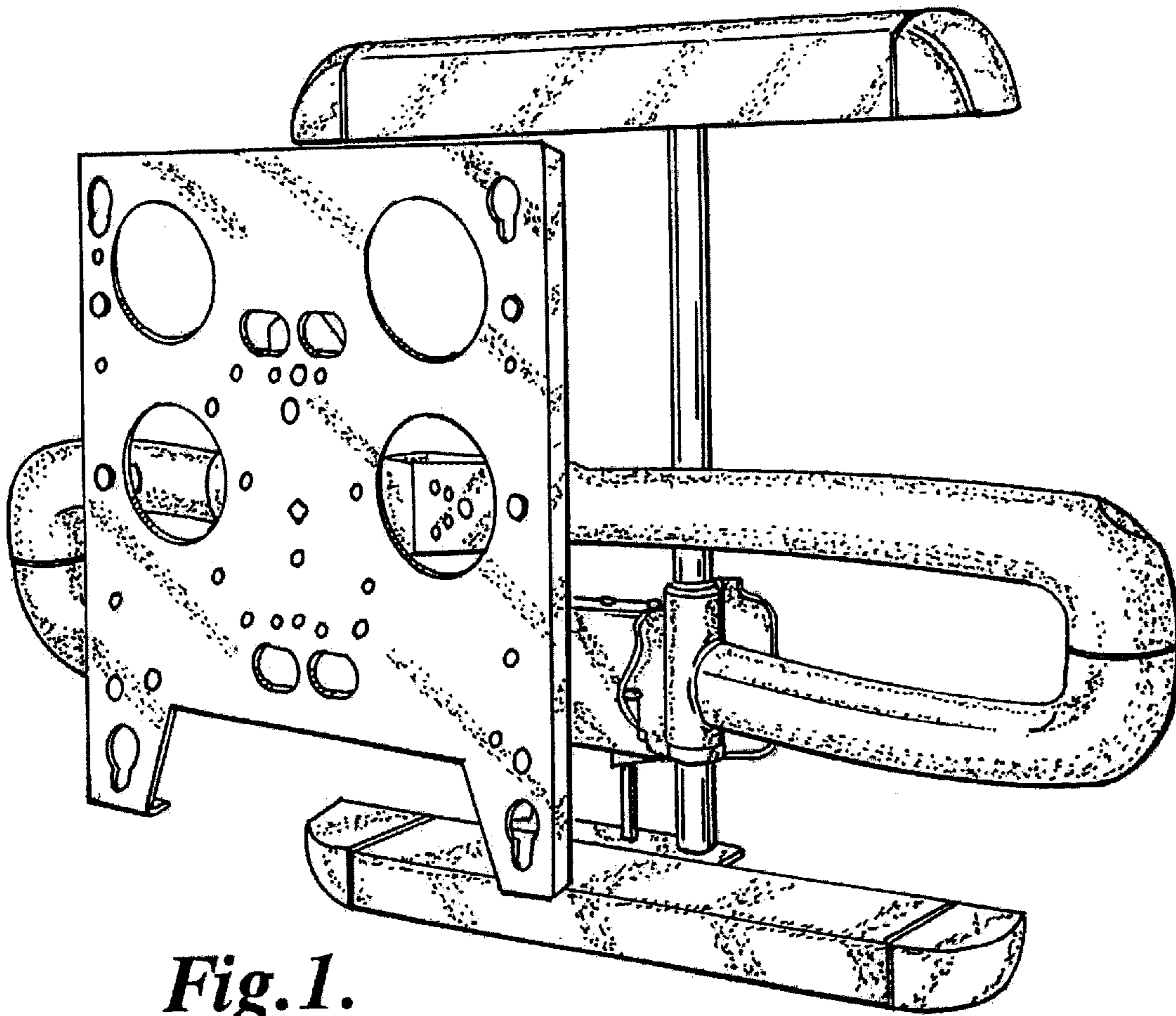


Fig. 1.

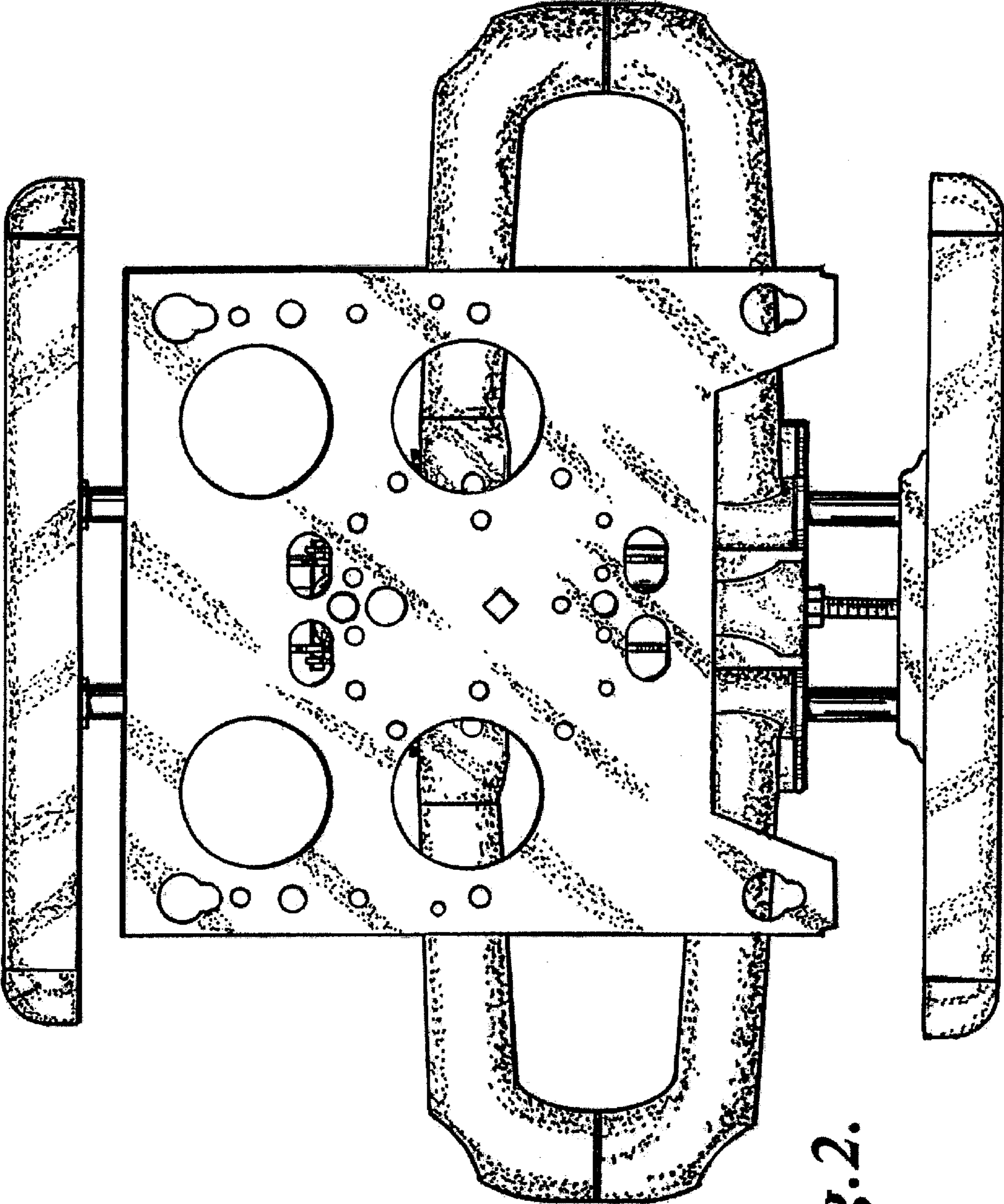


Fig. 2.

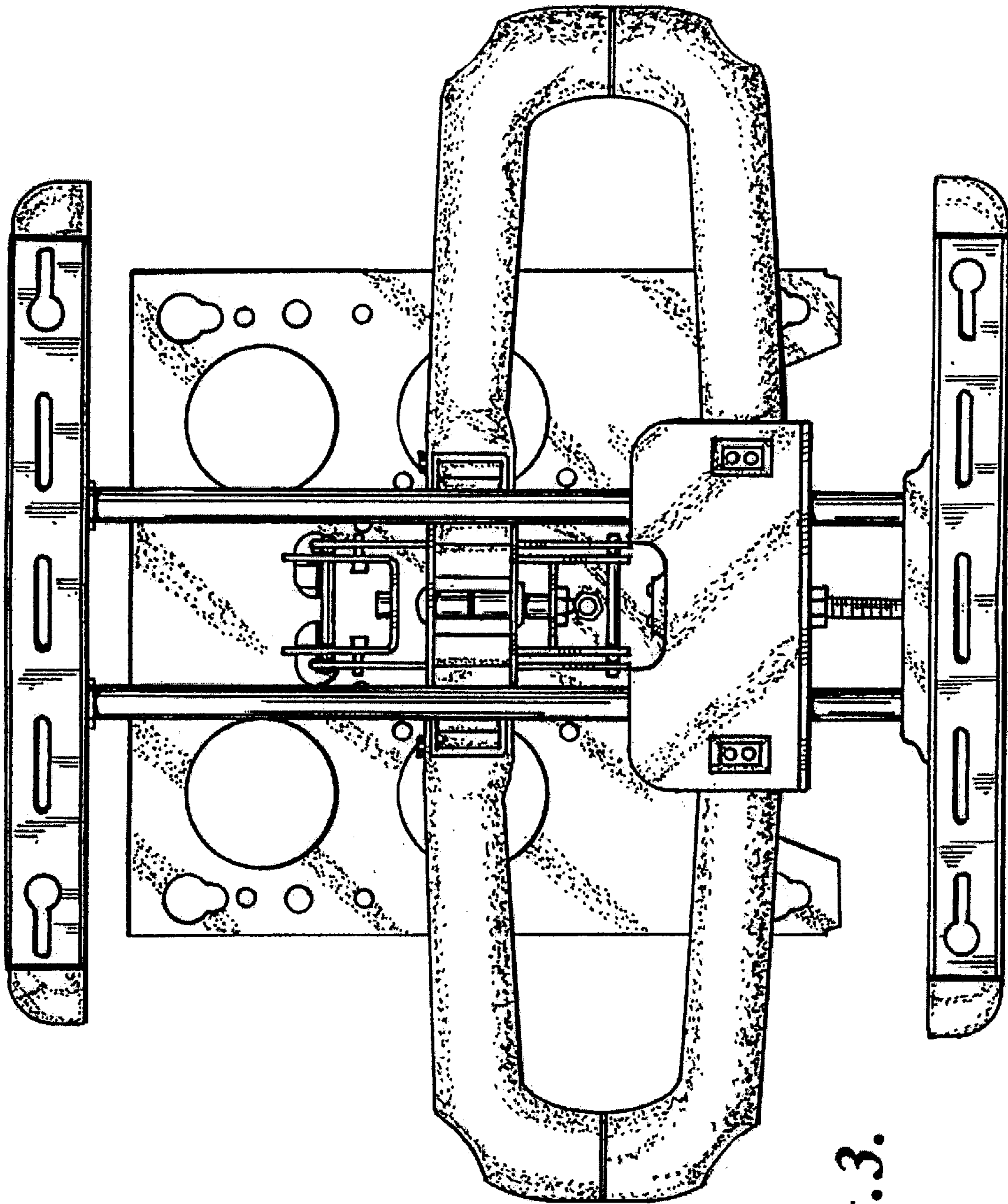


Fig. 3.

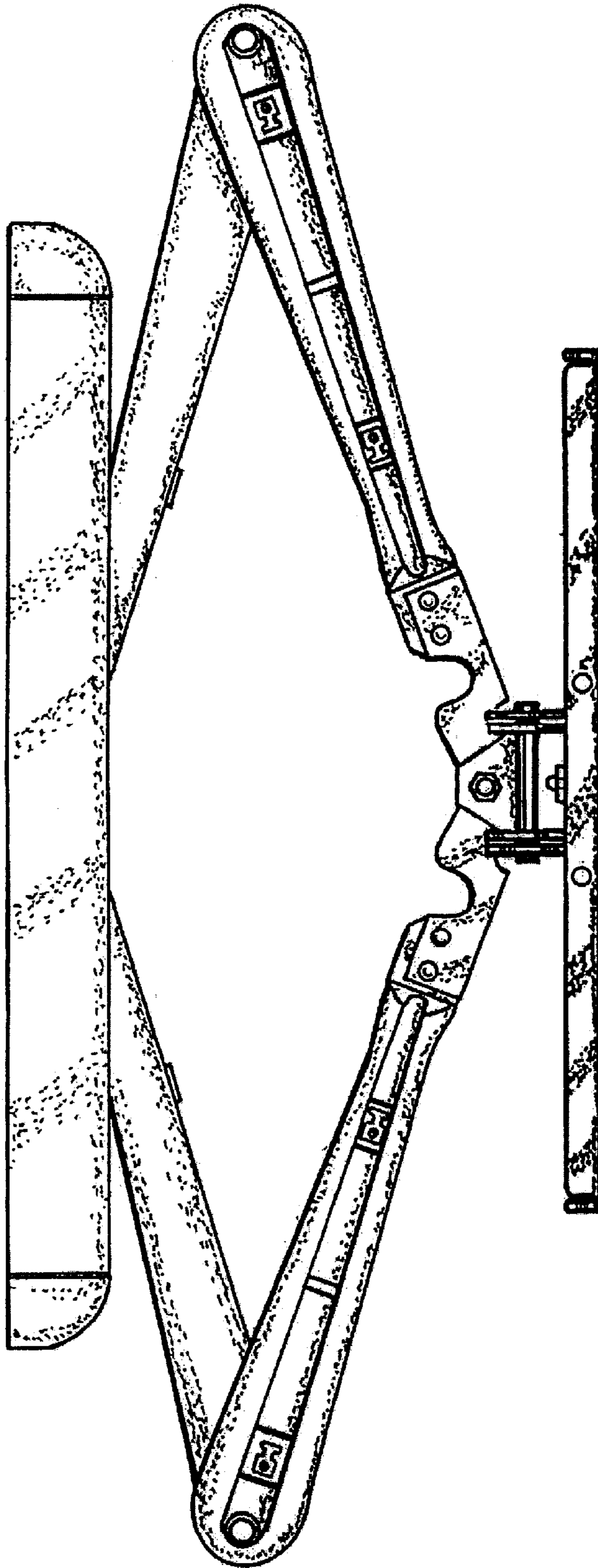


Fig. 4.

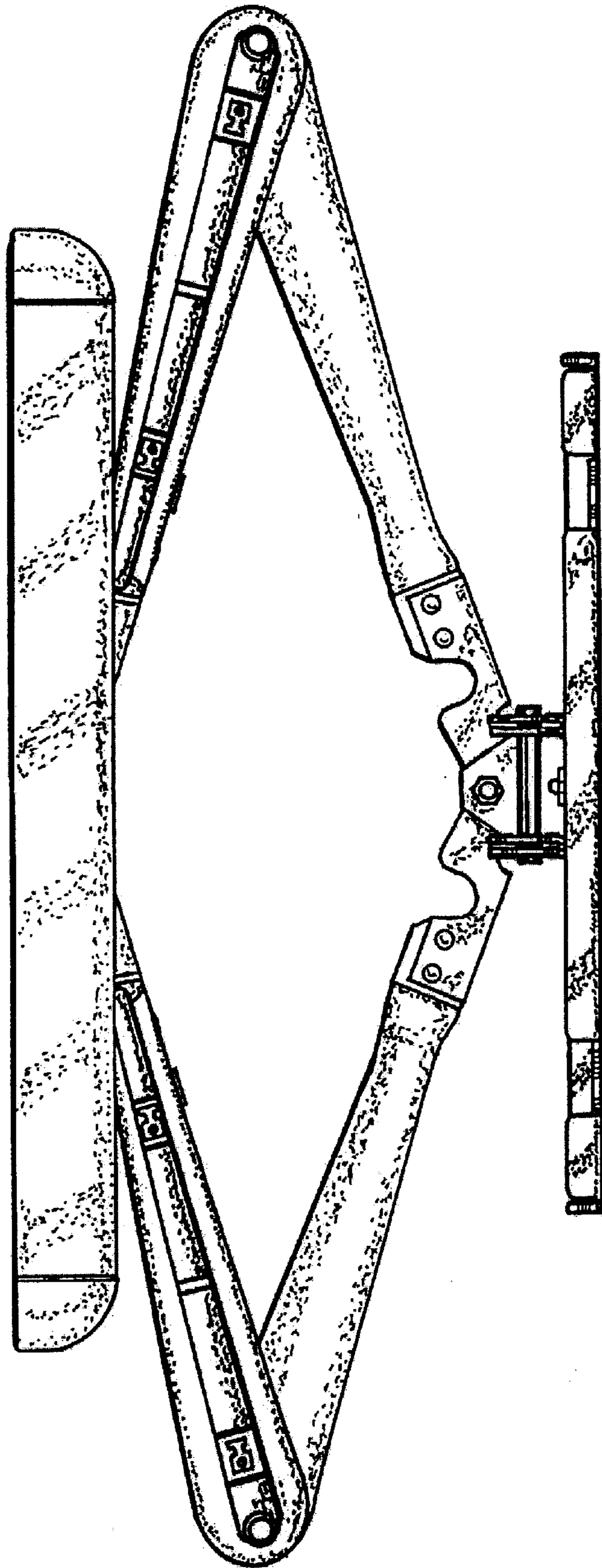


Fig. 5.

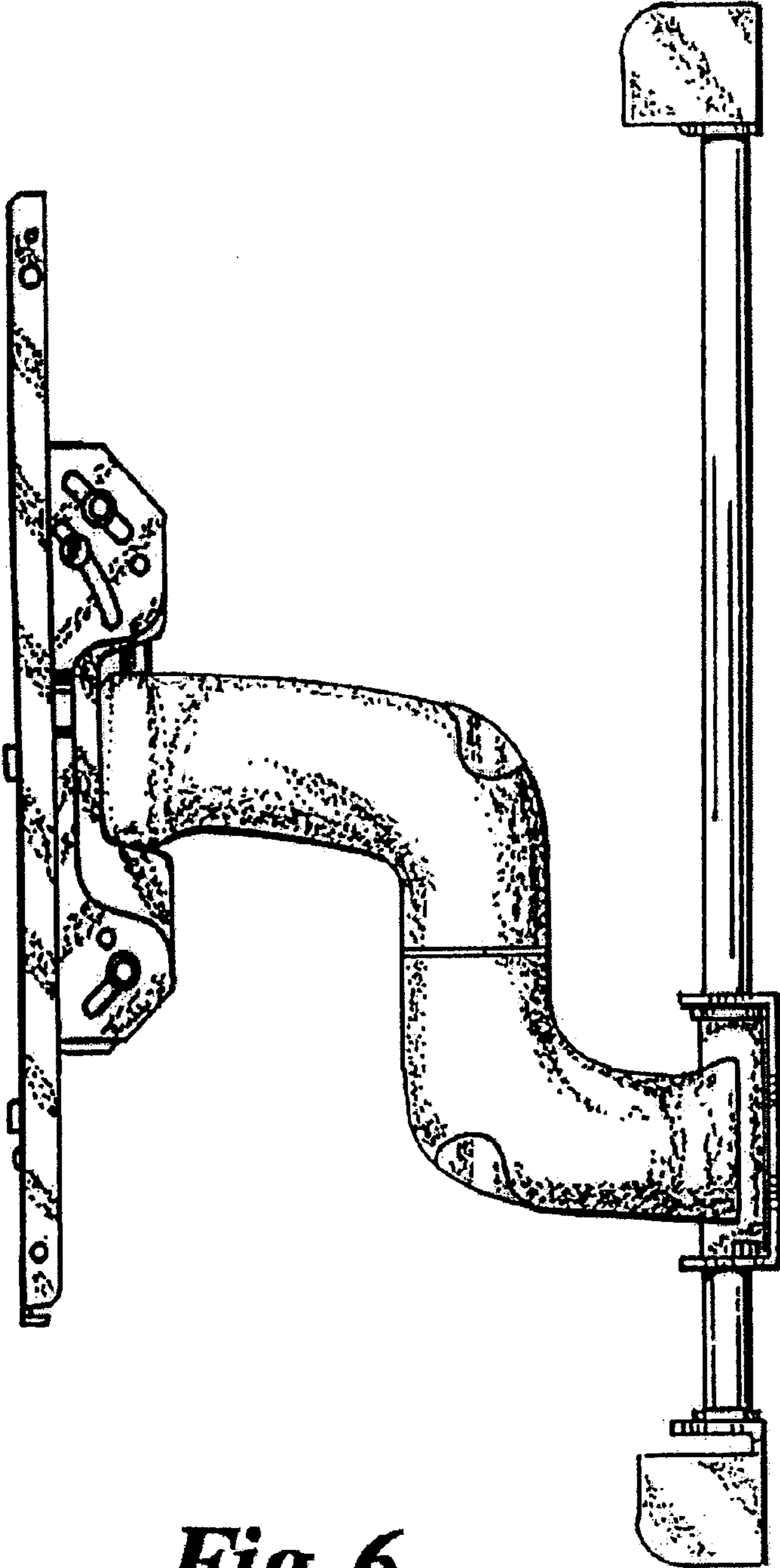


Fig. 6.