



US00D540331S

(12) **United States Design Patent**
Ly Hau et al.

(10) **Patent No.:** **US D540,331 S**
(45) **Date of Patent:** **** Apr. 10, 2007**

(54) **ROTATABLE SUPPORT FOR AN AUDIO/
VIDEO EQUIPMENT**

(75) Inventors: **Flavio Ly Hau**, Tempe, AZ (US); **Brett Stenhouse**, Phoenix, AZ (US); **Zachary Eyman**, Phoenix, AZ (US); **Korry Hoglan**, Phoenix, AZ (US); **David Anderson**, Mesa, AZ (US); **Tom Muday**, Scottsdale, AZ (US); **Vivek Jayaprakasan**, Tempe, AZ (US)

(73) Assignee: **Omnimount Systems, Inc.**, Phoenix, AZ (US)

(**) Term: **14 Years**

(21) Appl. No.: **29/235,669**

(22) Filed: **Aug. 3, 2005**

(51) **LOC (8) Cl.** **08-07**

(52) **U.S. Cl.** **D14/451**

(58) **Field of Classification Search** 248/346.02, 248/441.1, 442.2, 447.2, 452, 349.1, 455, 248/458, 639, 676, 917, 919-23, 346.03, 248/125.1-125.2, 158, 176.1, 242, 278.1, 248/346.01; 108/139; 312/223.3; 348/825, 348/830; 361/681, 686; 400/714; D12/425; D14/126, 134, 224, 238, 239, 251, 316, 366, D14/374-7, 432, 439, 447-8, 469, 451-2, D14/457; D19/95; D6/396, 449, 474, 491, D6/512, 574, 501

See application file for complete search history.

(56) **References Cited**

U.S. PATENT DOCUMENTS

846,948 A * 3/1907 Richter 108/139

893,210 A	*	7/1908	Weeks	108/94
3,302,594 A	*	2/1967	Barnett et al.	108/139
D266,507 S	*	10/1982	Cavanagh	D14/251
D323,191 S	*	1/1992	Prey	D19/95
D347,657 S	*	6/1994	Evenson	D19/90
D378,792 S	*	4/1997	Westcott	D7/501
5,782,451 A	*	7/1998	Carnahan et al.	248/425
D409,589 S	*	5/1999	Rorke et al.	D14/451
6,474,614 B2	*	11/2002	MacEachern	248/349.1
D491,747 S	*	6/2004	Walters	D6/474
6,854,608 B2	*	2/2005	McNeeley et al.	211/78
2005/0196311 A1	*	9/2005	Krayer	418/61.3

* cited by examiner

Primary Examiner—Alan P. Douglas

Assistant Examiner—Angela J. Lee

(74) *Attorney, Agent, or Firm*—Hogan & Hartson LLP

(57) **CLAIM**

The ornamental design for a rotatable support for an audio/video equipment, as shown and described.

DESCRIPTION

FIG. 1 is a top, right isometric view of an embodiment of a rotatable support for an audio/video equipment showing our design.

FIG. 2 is a front elevational view thereof.

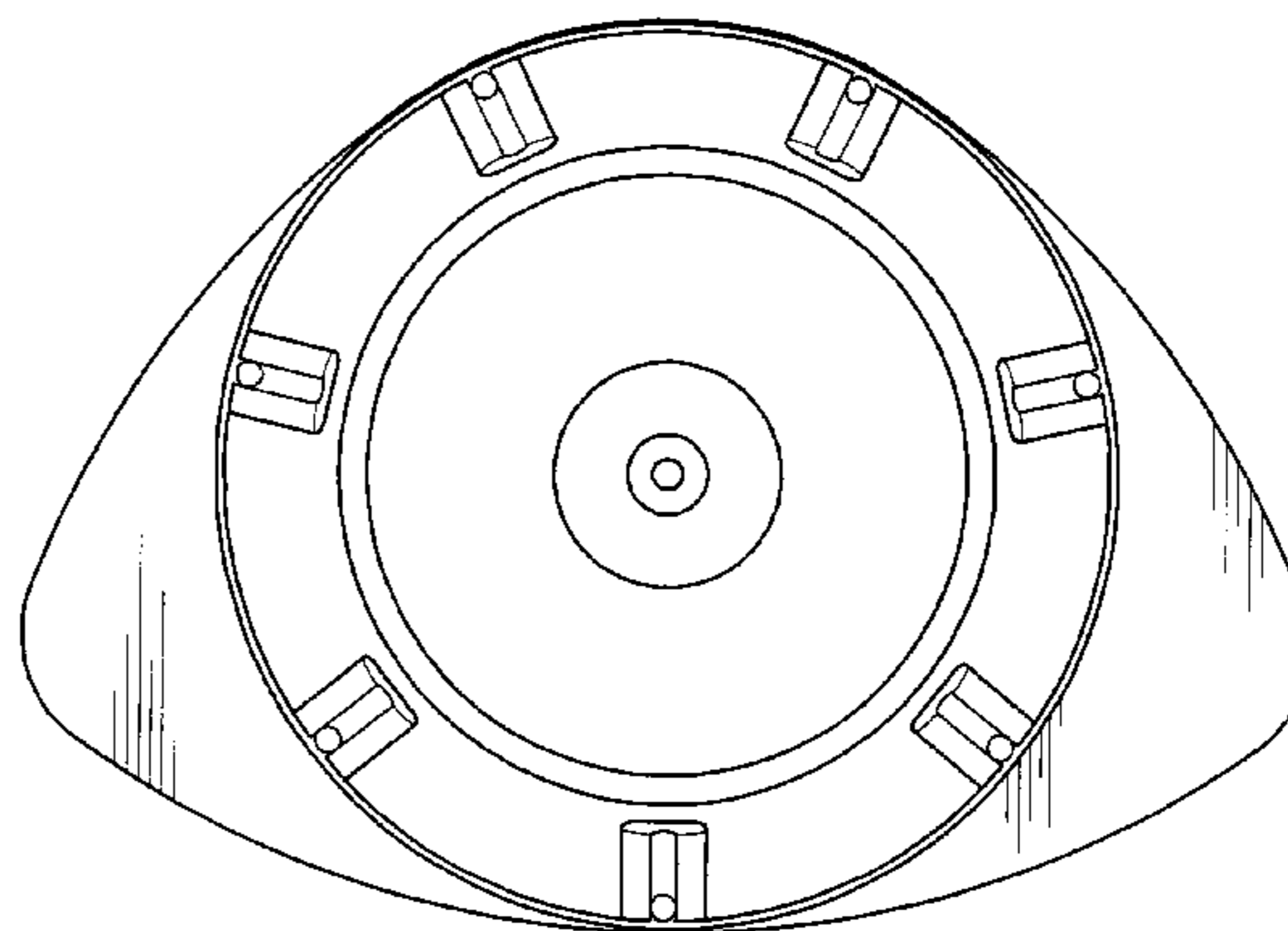
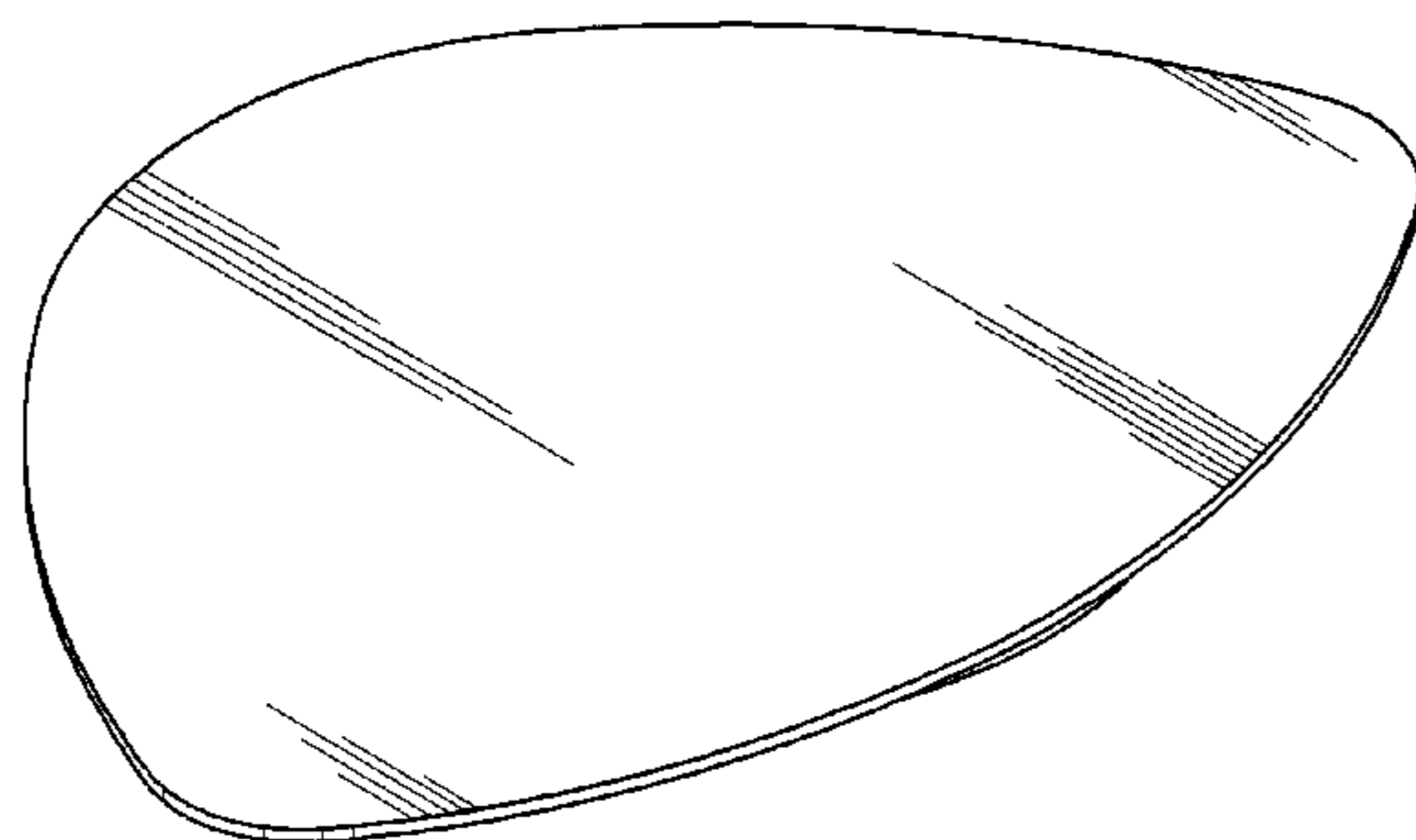
FIG. 3 is a rear elevational view thereof.

FIG. 4 is a right-side elevational view thereof; the left-side elevational view is a mirror image of FIG. 4.

FIG. 5 is a top plan view thereof; and,

FIG. 6 is a bottom plan view thereof.

1 Claim, 2 Drawing Sheets



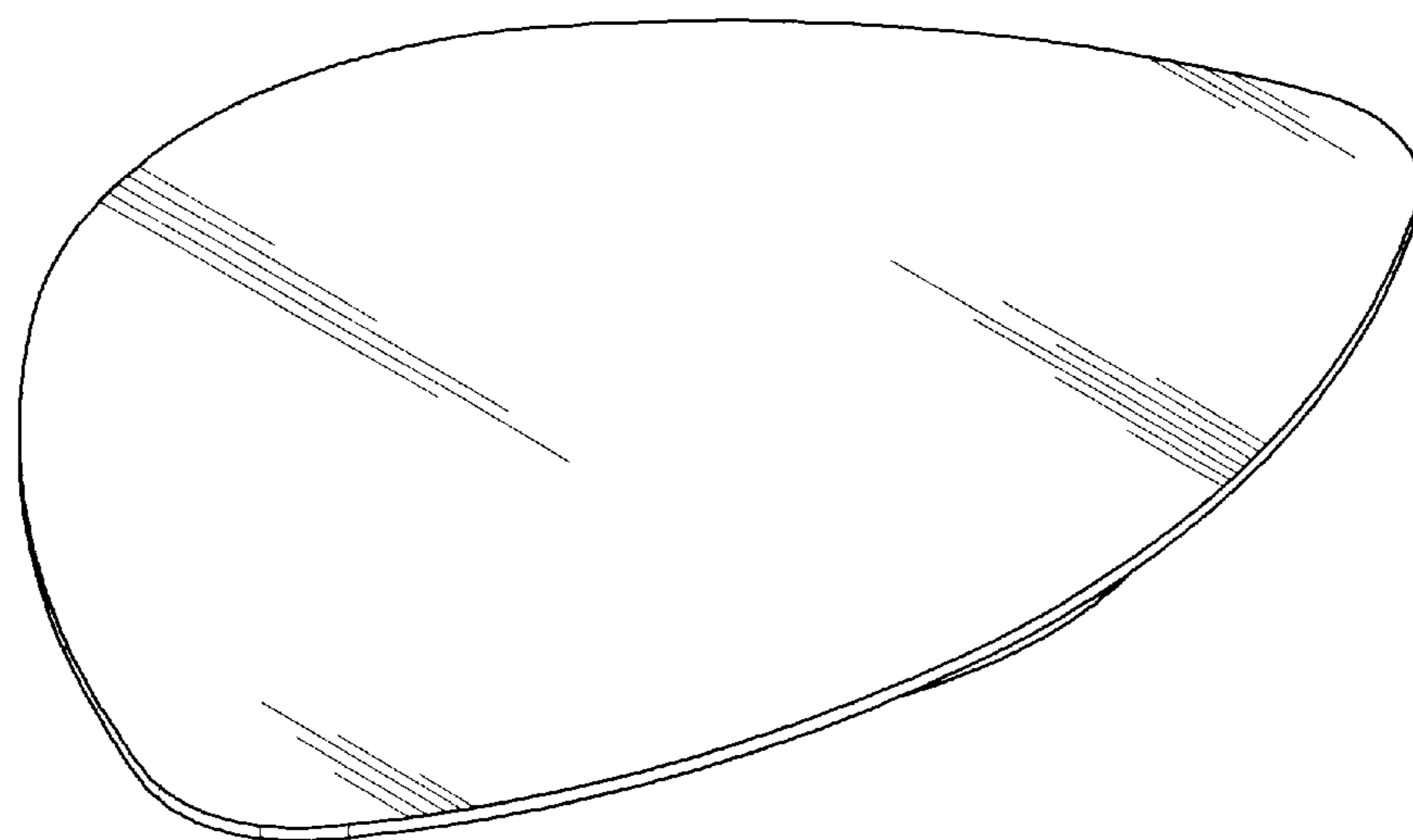


Fig. 1

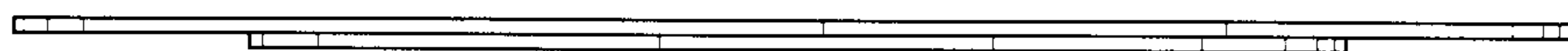


Fig. 2

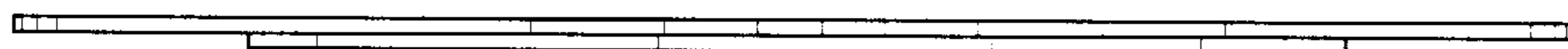


Fig. 3

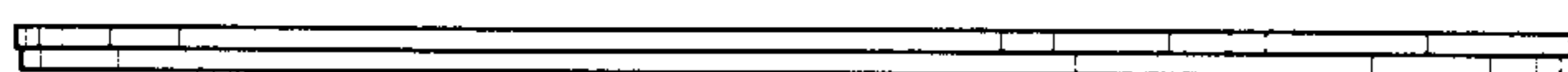


Fig. 4

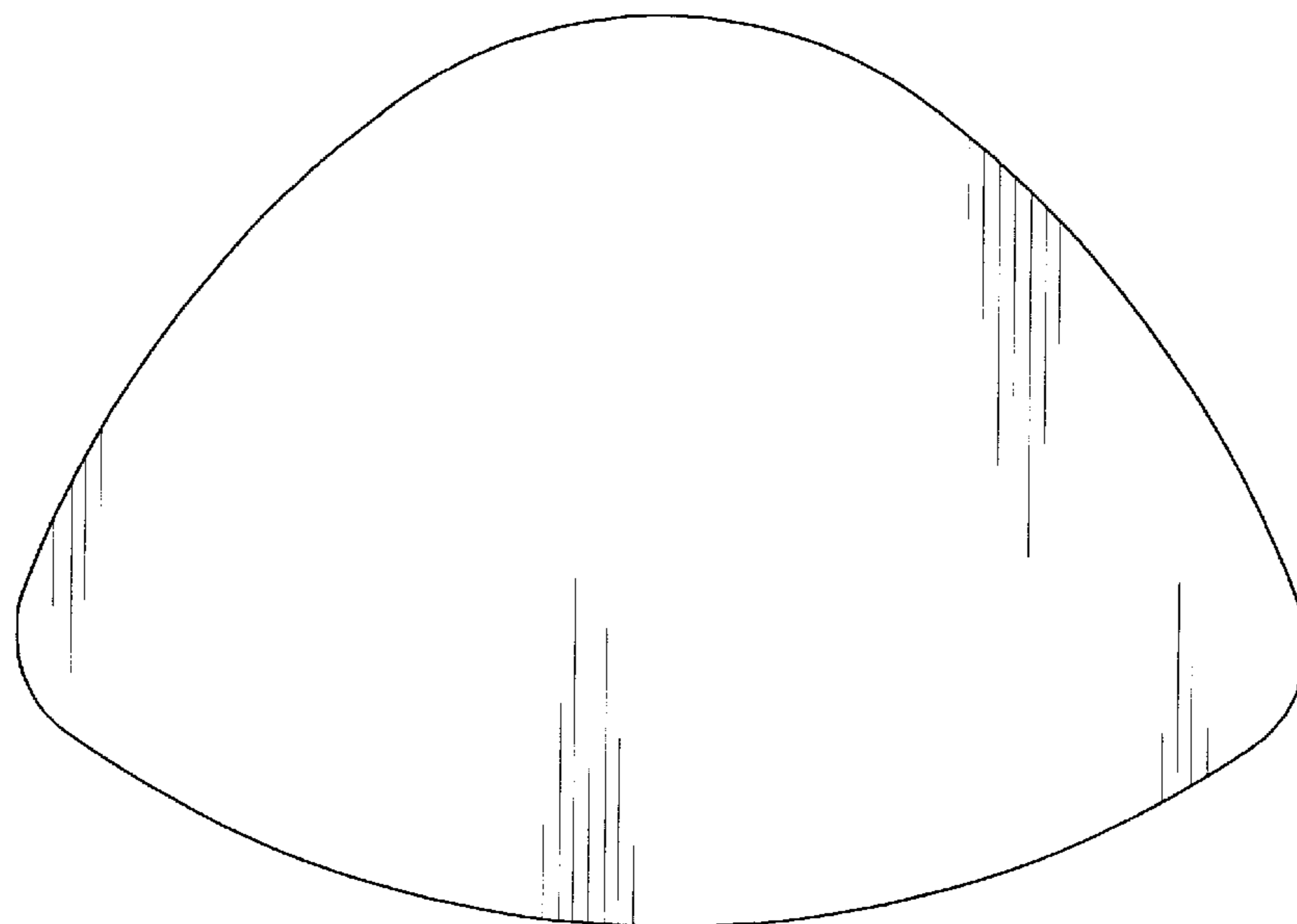


Fig. 5

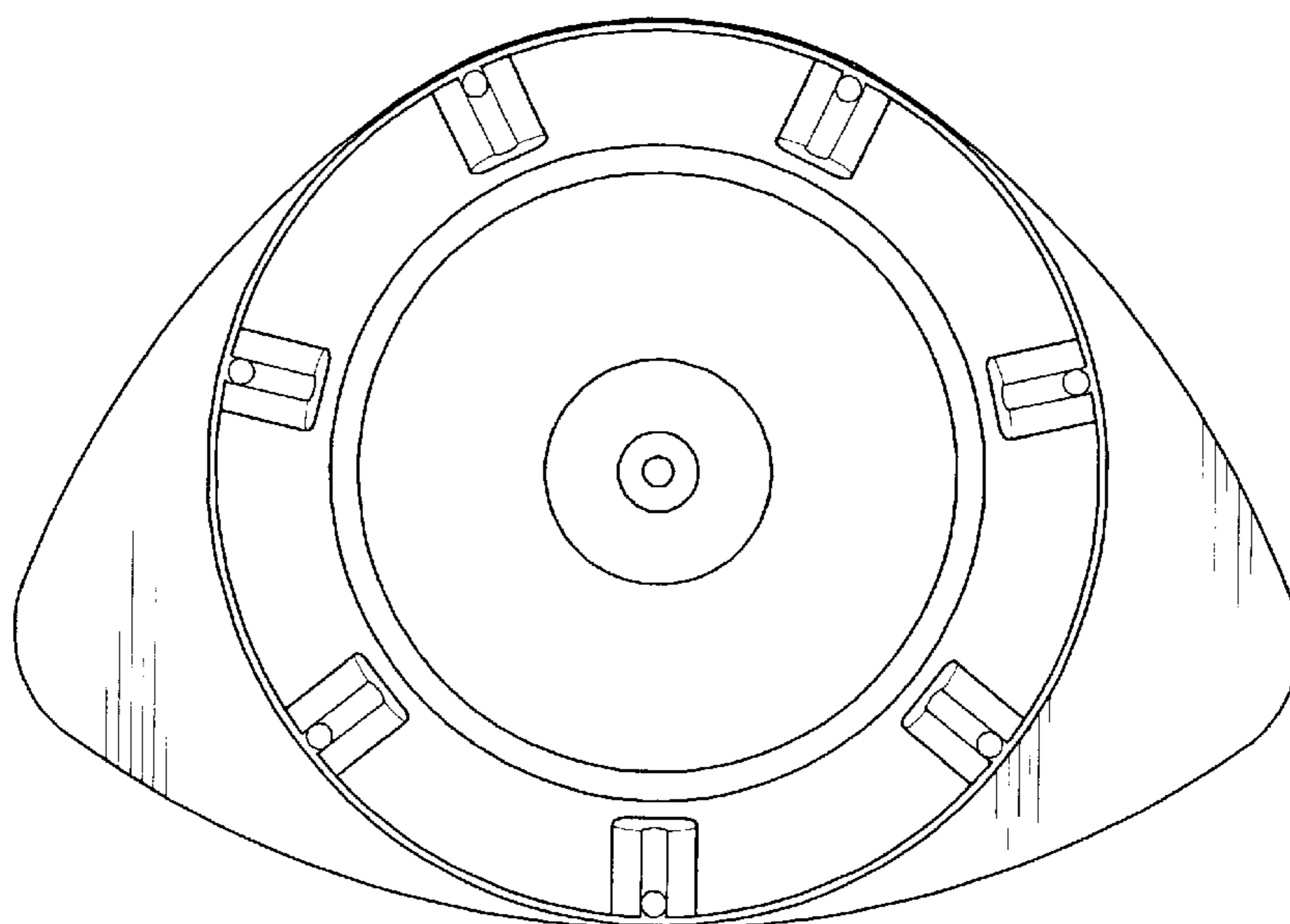


Fig. 6