

US00D540330S

(12) **United States Design Patent**
Eyman et al.

(10) **Patent No.:** **US D540,330 S**
(45) **Date of Patent:** **** Apr. 10, 2007**

(54) **SHELF FOR SUPPORTING AN AUDIO/
VIDEO COMPONENT**

(75) Inventors: **Zachary Eyman**, Phoenix, AZ (US);
Brett Stenhouse, Phoenix, AZ (US);
Korry Hoglan, Phoenix, AZ (US);
David Anderson, Mesa, AZ (US);
Vivek Jayaprakasan, Tempe, AZ (US)

(73) Assignee: **Omnimount Systems, Inc.**, Phoenix,
AZ (US)

(**) Term: **14 Years**

(21) Appl. No.: **29/235,643**

(22) Filed: **Aug. 3, 2005**

(51) **LOC (8) Cl.** **08-07**

(52) **U.S. Cl.** **D14/451**

(58) **Field of Classification Search** D14/126,
D14/134, 224, 238, 239, 251, 316, 366, 374-7,
D14/432, 439, 447-8, 469, 451-2, 457; D19/95;
D6/396, 449, 474, 491, 512, 574; D7/501;
248/125.1-125.2, 158, 176.1, 242, 278.1,
248/346.01, 346.02, 441.1, 442.2, 447.2,
248/452, 455, 458, 639, 676, 917, 919-23,
248/346.03; 312/223.3; 348/825, 830; 361/681,
361/686; 400/714; D12/425

See application file for complete search history.

(56) **References Cited**

U.S. PATENT DOCUMENTS

D257,296 S * 10/1980 White D12/425

D270,785 S * 10/1983 White D12/425
D284,084 S * 6/1986 Ferrara, Jr. D14/389
D353,275 S * 12/1994 Longhurst D12/425
D358,278 S * 5/1995 Goodwin D6/449
D366,857 S * 2/1996 Allen D12/425
D448,387 S * 9/2001 Betancourt D14/457
D493,797 S * 8/2004 Dearborn et al. D14/432
2005/0285004 A1 * 12/2005 Elgie et al. 248/346.01

* cited by examiner

Primary Examiner—Alan P. Douglas

Assistant Examiner—Angela J. Lee

(74) *Attorney, Agent, or Firm*—Hogan & Hartson LLP

(57) **CLAIM**

The ornamental design for a shelf for supporting an audio/
video component, as shown and described.

DESCRIPTION

FIG. 1 is a top, left isometric view of an embodiment of a
shelf for supporting an audio/video component showing our
design.

FIG. 2 is a bottom, left isometric view thereof.

FIG. 3 is a front elevational view thereof.

FIG. 4 is a rear elevational view thereof.

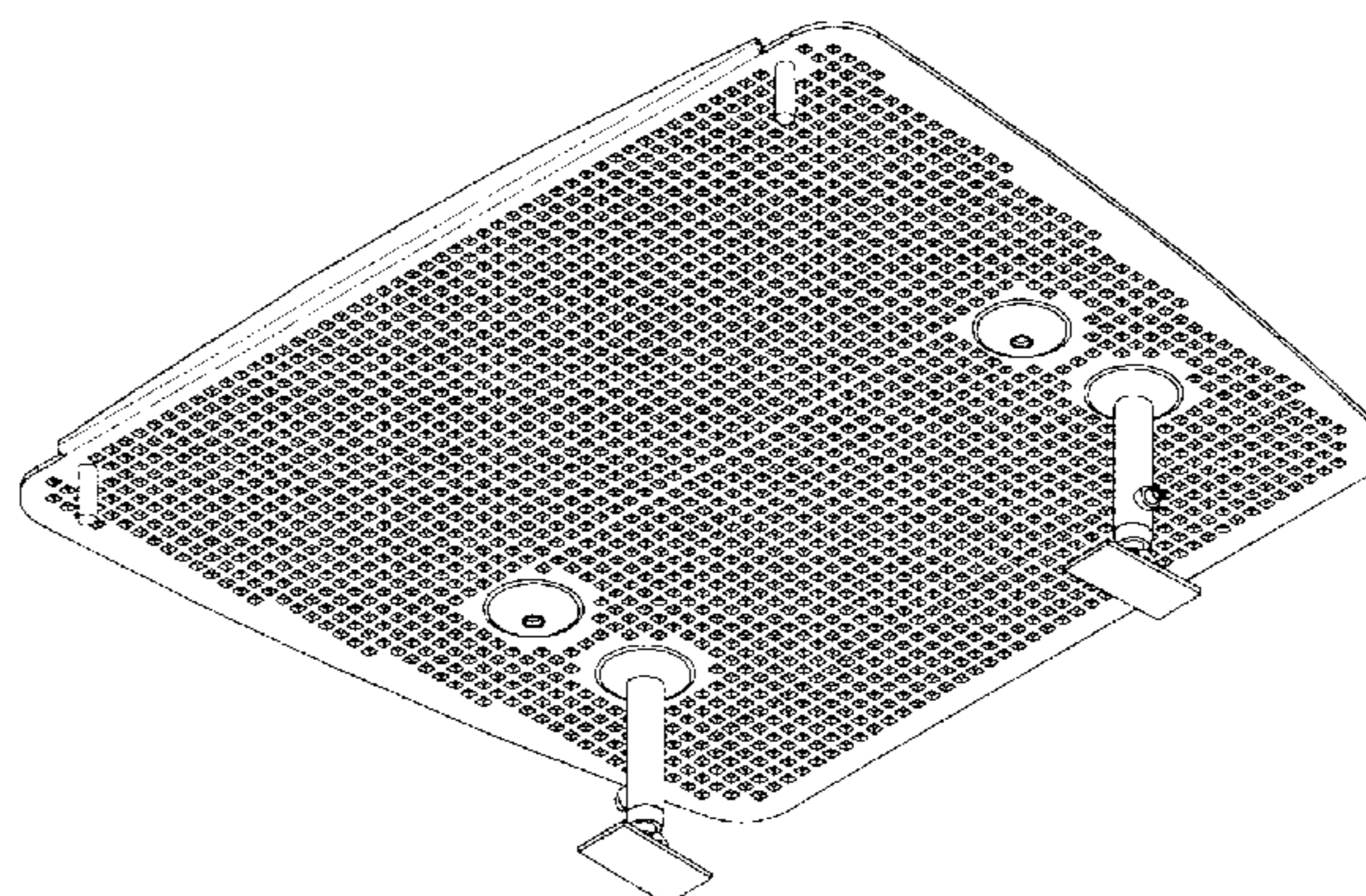
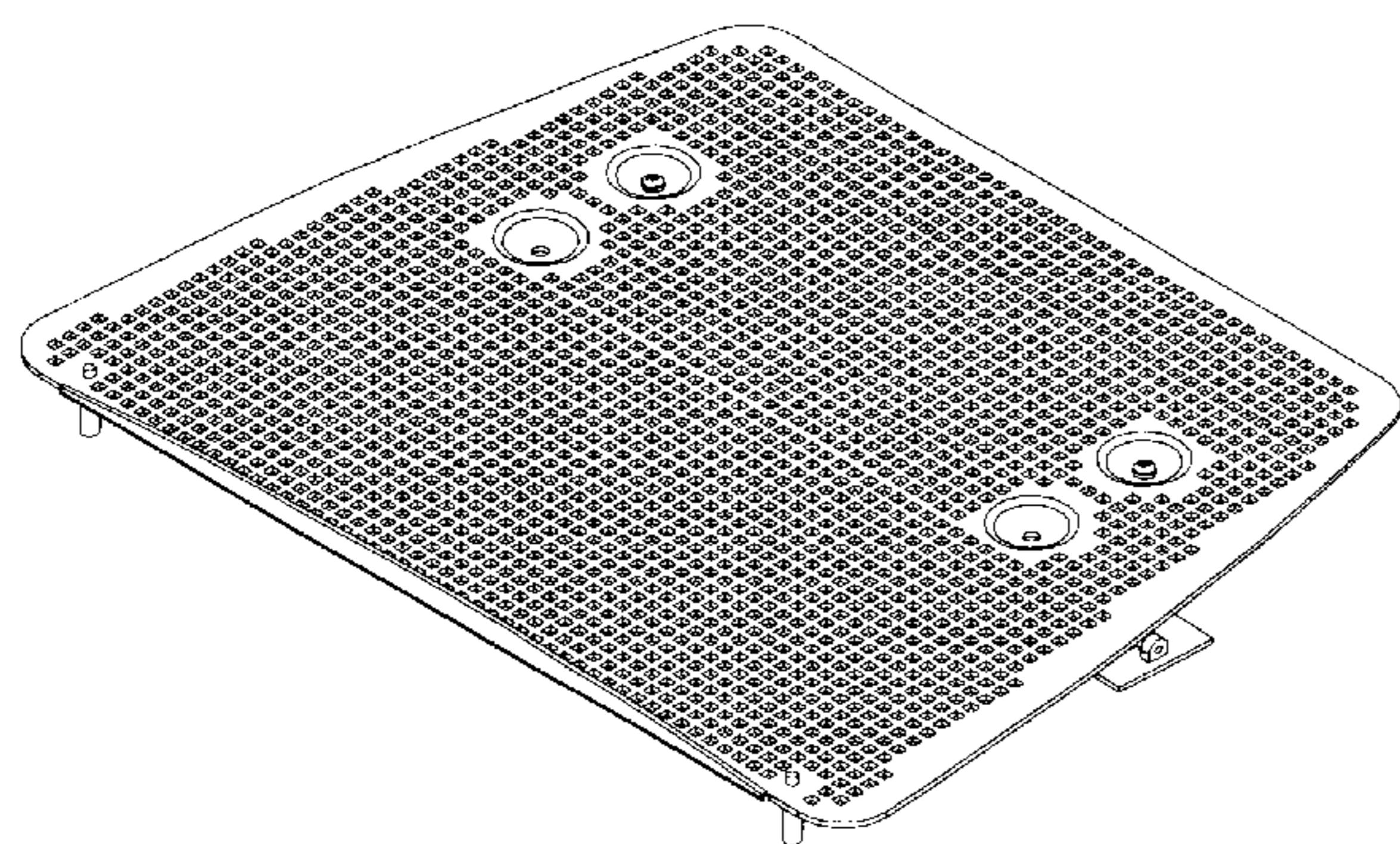
FIG. 5 is a left-side elevational view thereof; the right-side
elevational view is a mirror image of FIG. 5;

FIG. 6 is a top plan view thereof; and,

FIG. 7 is a bottom plan view thereof.

Elements identified in broken lines in the accompanying
drawings form no part of the claimed invention.

1 Claim, 3 Drawing Sheets



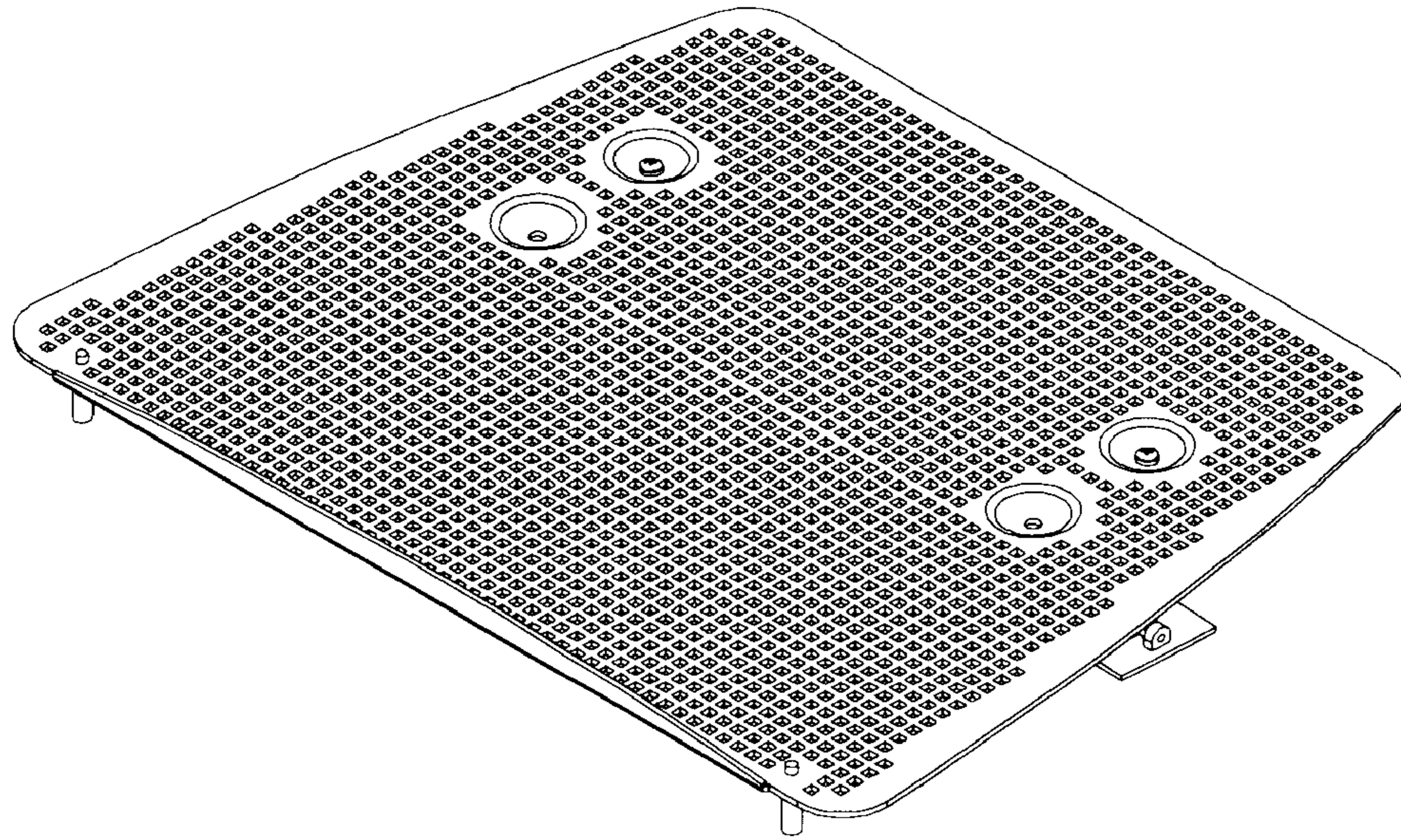


Fig. 1

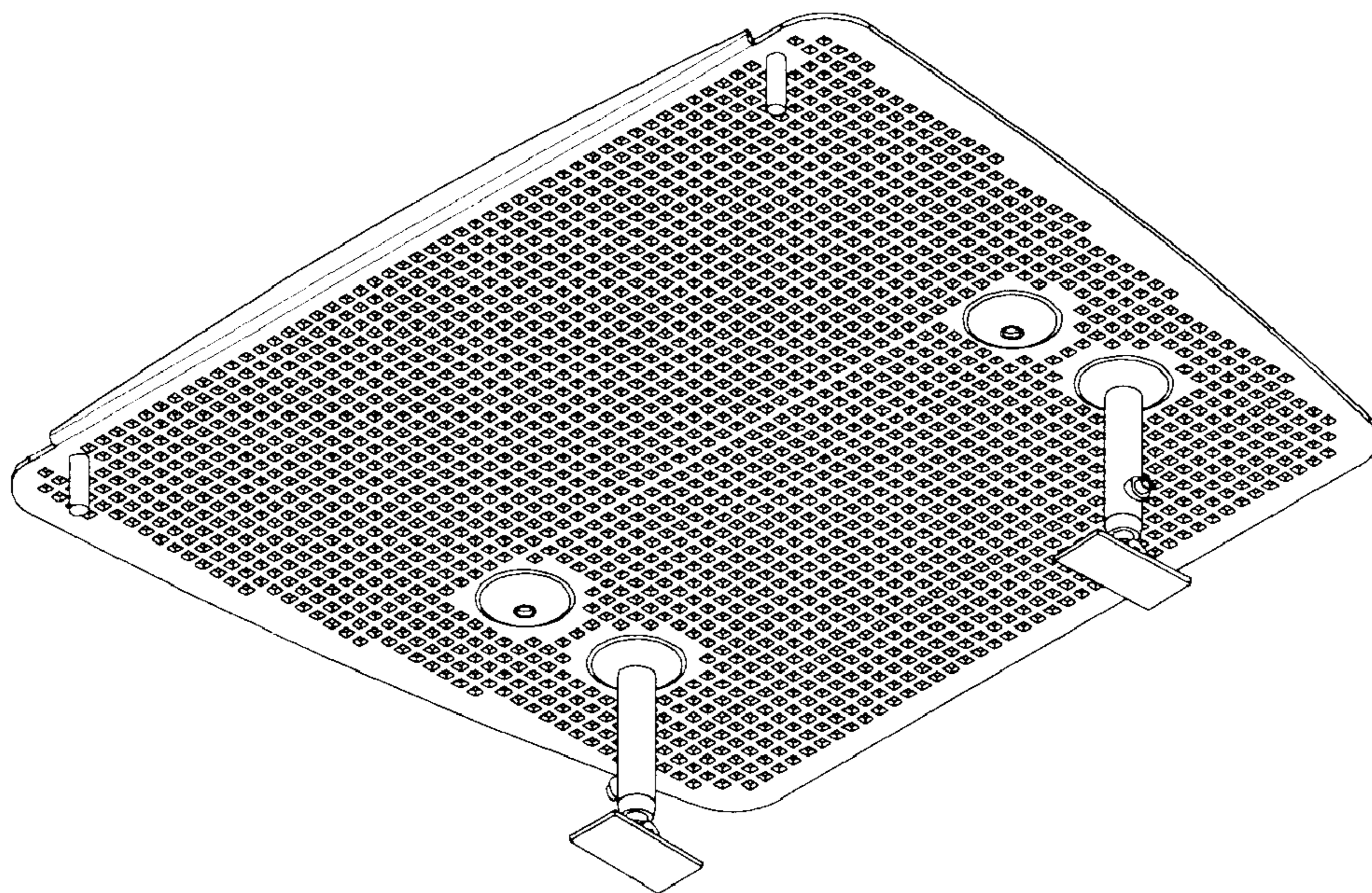


Fig. 2

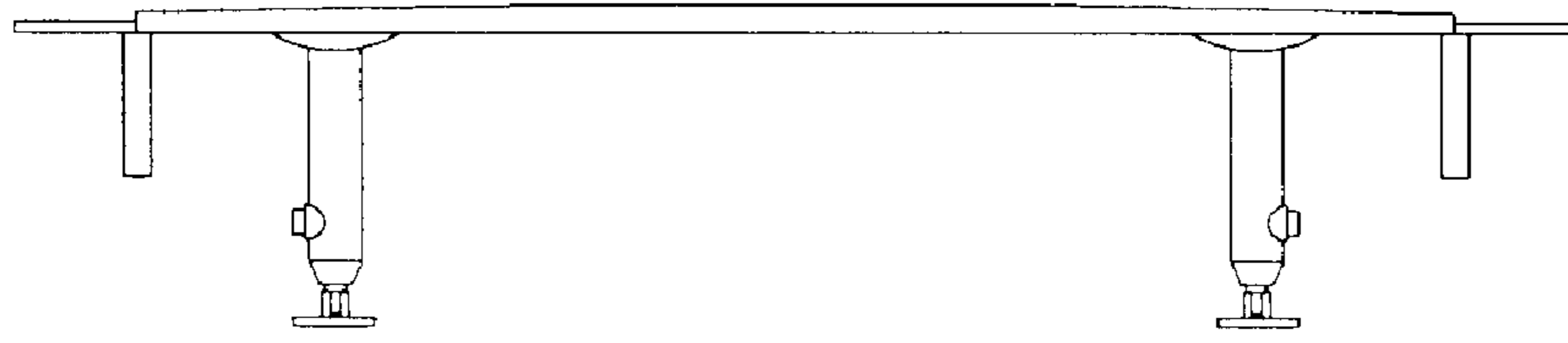


Fig. 3

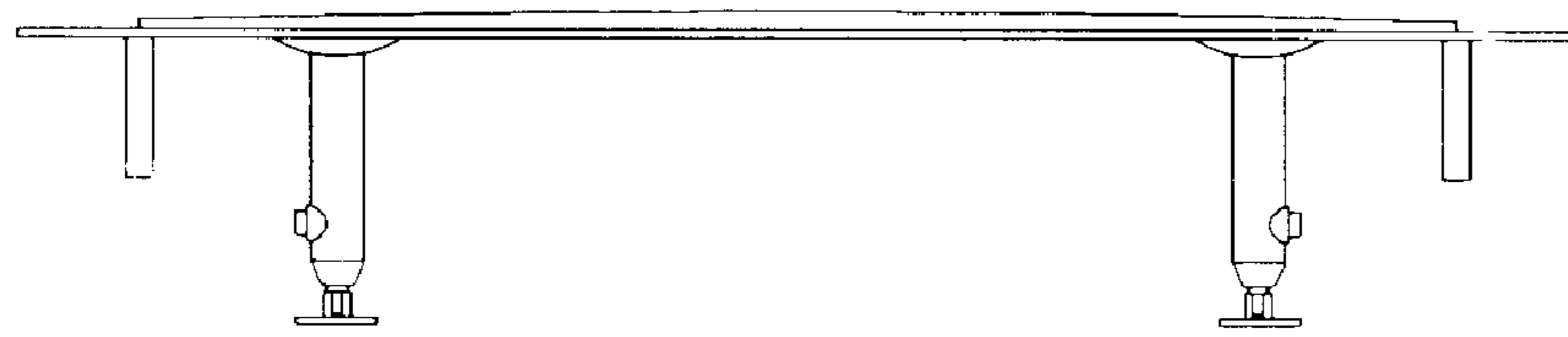


Fig. 4

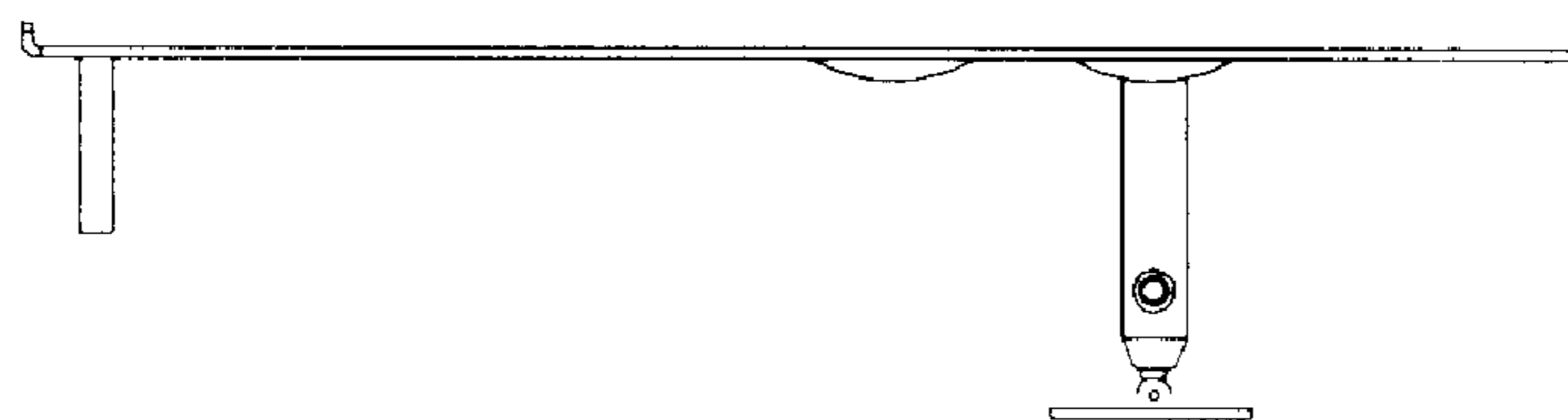


Fig. 5

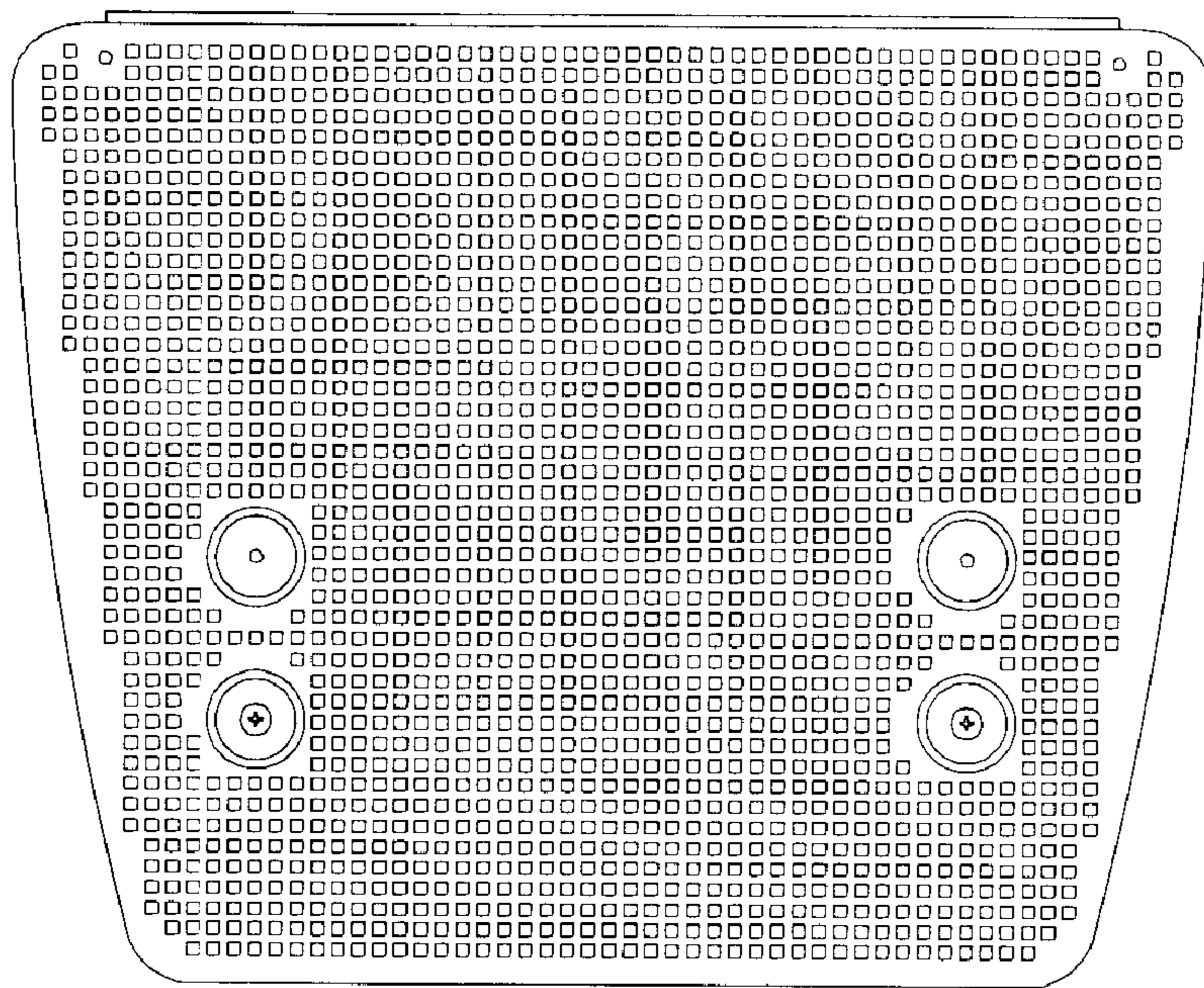


Fig. 6

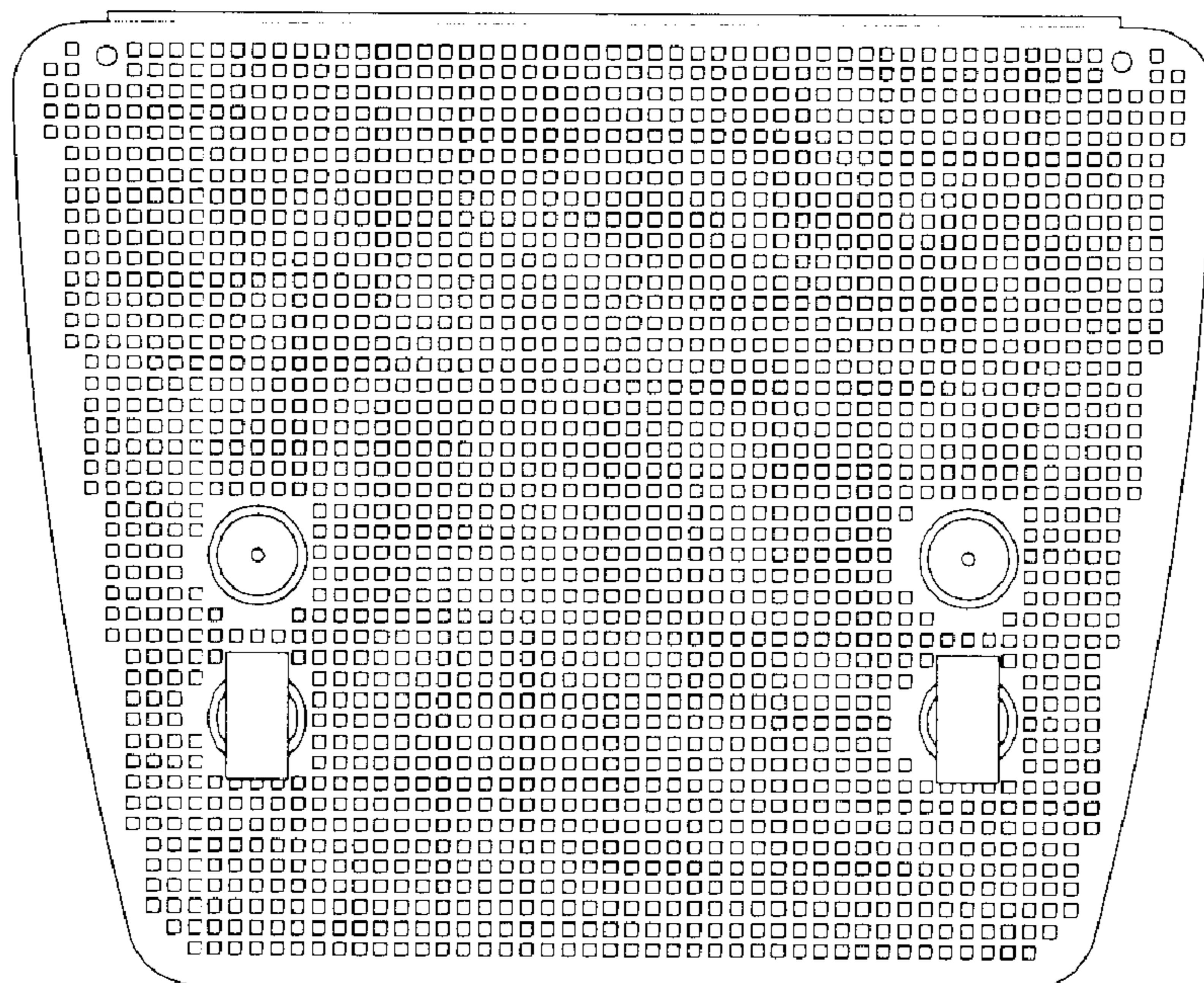


Fig. 7