

US00D540329S

(12) **United States Design Patent**  
**Wang et al.**

(10) **Patent No.:** **US D540,329 S**

(45) **Date of Patent:** **\*\* Apr. 10, 2007**

(54) **COMPUTER DEVICE HAVING A FRONT BEZEL FOR A MEMORY MODULE RECEPTACLE**

(75) Inventors: **Qiang Wang**, Cypress, TX (US); **Minh H. Nguyen**, Katy, TX (US); **Donald P. Caballero**, Humble, TX (US)

(73) Assignee: **Hewlett-Packard Development Company, L.P.**, Houston, TX (US)

(\*\*) Term: **14 Years**

(21) Appl. No.: **29/235,637**

(22) Filed: **Aug. 3, 2005**

(51) **LOC (8) Cl.** ..... **14-02**

(52) **U.S. Cl.** ..... **D14/445**

(58) **Field of Classification Search** ..... D14/441-446, D14/363-368, 439; D13/182, 184, 199; 312/223.1-223.3; 361/680-686, 690-696; 369/34.01, 36.01

See application file for complete search history.

(56) **References Cited**

**U.S. PATENT DOCUMENTS**

D308,671 S	6/1990	Aderman et al.
4,941,841 A	7/1990	Darden et al.
D338,662 S	8/1993	Sharp
D348,051 S	6/1994	Noble
D362,433 S	9/1995	Chen
D399,193 S	10/1998	Chang
D401,569 S	11/1998	Massaro
D409,592 S	5/1999	Prestigomo
D409,593 S	5/1999	Prestigomo

(Continued)

**FOREIGN PATENT DOCUMENTS**

DE M9401797 \* 10/1994

**OTHER PUBLICATIONS**

U.S. Appl. No. 29/209,597, filed Jul. 19, 2004; Belgie B. McClelland II et al.; entitled "Computer Have A Drive Carrier".

U.S. Appl. No. 29/209,868, filed Jul. 21, 2004; Qiang Wang et al.; entitled "Computer Having A Drive Carrier".

U.S. Appl. No. 29/215,148, filed Oct. 14, 2004; Belgie B. McClelland II et al.; entitled "Computer Having A Bezel".

U.S. Appl. No. 29/215,774, filed Oct. 25, 2004; Belgie B. McClelland II et al.; entitled "Computer Having An External Panel".

*Primary Examiner*—Freda S. Nunn

(57) **CLAIM**

The ornamental design for a computer device having a front bezel for a memory module receptacle, as shown and described.

**DESCRIPTION**

FIG. 1 is a partial front perspective view of the design for the computer device having a front bezel for a memory module receptacle;

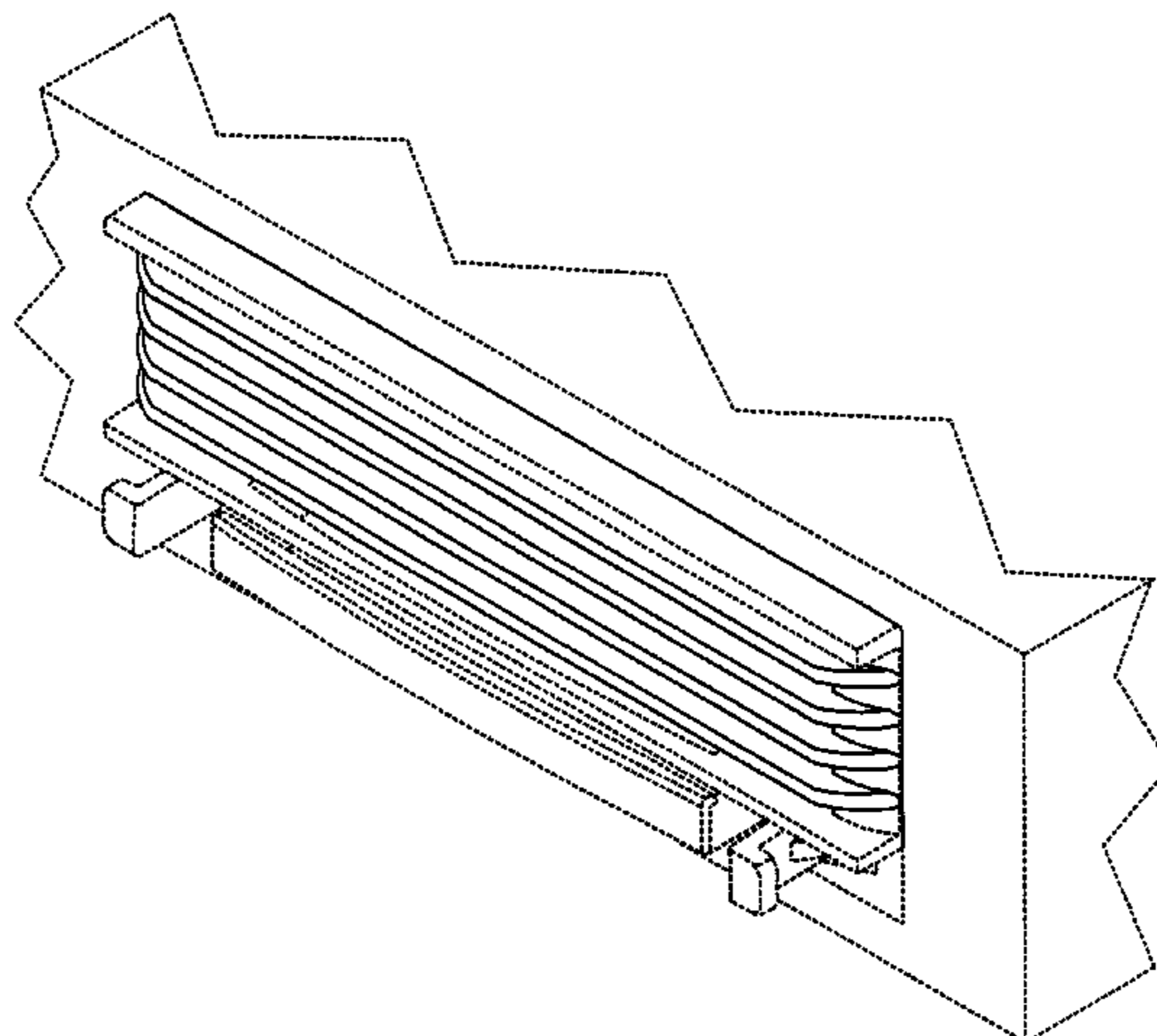
FIG. 2 is a front elevational view of the design for the computer device having a front bezel for a memory module receptacle as illustrated in FIG. 1;

FIG. 3 is a right side elevational view of the design for the computer device having a front bezel for a memory module receptacle as illustrated in FIG. 1, the left side being substantially the same as the illustrated right side; and

FIG. 4 is a partial front perspective view of the design for the computer device having a front bezel for a memory module receptacle as illustrated in FIG. 1, wherein the front bezel is illustrated in context of a rack mountable computer, e.g., a server, that can be mounted in a rack computer system; and, FIG. 5 is a front elevational view of the design for the computer device having a front bezel for a memory module receptacle as illustrated in FIG. 4, wherein the front bezel is illustrated in context of a rack mountable computer, e.g., a server, that can be mounted in a rack computer system.

In these drawings, the solid lines illustrate the claimed ornamental design, whereas the broken lines illustrate environmental features that form no part of the claimed ornamental design of the subject embodiment.

**1 Claim, 4 Drawing Sheets**



# US D540,329 S

Page 2

## U.S. PATENT DOCUMENTS

D410,912 S	6/1999	Bloch et al.	D461,816 S	8/2002	Caughlan et al.
6,000,769 A	12/1999	Chen	D462,075 S	8/2002	Hillyard et al.
D419,147 S	1/2000	Tanzer et al.	6,442,021 B1	8/2002	Bologna et al.
6,052,278 A	4/2000	Tanzer et al.	D464,056 S	10/2002	Skandalis
D428,014 S	7/2000	Bostedt et al.	6,473,300 B1	10/2002	Youngquist et al.
6,088,221 A	7/2000	Bologna	D470,486 S	2/2003	Cheng
D431,245 S	9/2000	Searby et al.	D473,197 S	4/2003	Bovell
D434,395 S	11/2000	Mazzetti et al.	D474,186 S	5/2003	Frank et al.
6,154,361 A	11/2000	Anderson et al.	D476,631 S	7/2003	Frank et al.
D442,151 S	5/2001	Mazzetti et al.	D481,393 S	10/2003	Alo et al.
6,247,944 B1	6/2001	Bologna et al.	D481,394 S	10/2003	Kuehn et al.
D447,483 S	9/2001	Wu	6,661,651 B1	12/2003	Tanzer et al.
6,302,714 B1	10/2001	Bologna et al.	D485,278 S	1/2004	Wang et al.
D454,881 S	3/2002	Daniels et al.	D491,570 S	6/2004	Fan et al.
D455,152 S	4/2002	Caughlan et al.	6,891,723 B1	5/2005	Lin et al.
D455,153 S	4/2002	Gant et al.	D506,201 S	6/2005	McClelland et al.
D455,154 S	4/2002	Daniels et al.	D507,000 S	7/2005	Wang
D455,752 S	4/2002	Gant et al.	2003/0011979 A1	1/2003	Tanzer et al.
D455,753 S	4/2002	Daniels et al.	2004/0228083 A1 *	11/2004	Wang et al. .... 361/683
D455,754 S	4/2002	Gant et al.	2005/0040740 A1 *	2/2005	Yun ..... 312/223.2
D458,924 S	6/2002	Tsuyuki et al.	2005/0122676 A1 *	6/2005	Clark et al. .... 361/686
D460,457 S	7/2002	Caughlan et al.	2005/0157461 A1 *	7/2005	Cauthron ..... 361/683
D461,807 S	8/2002	Kuehn et al.			

\* cited by examiner

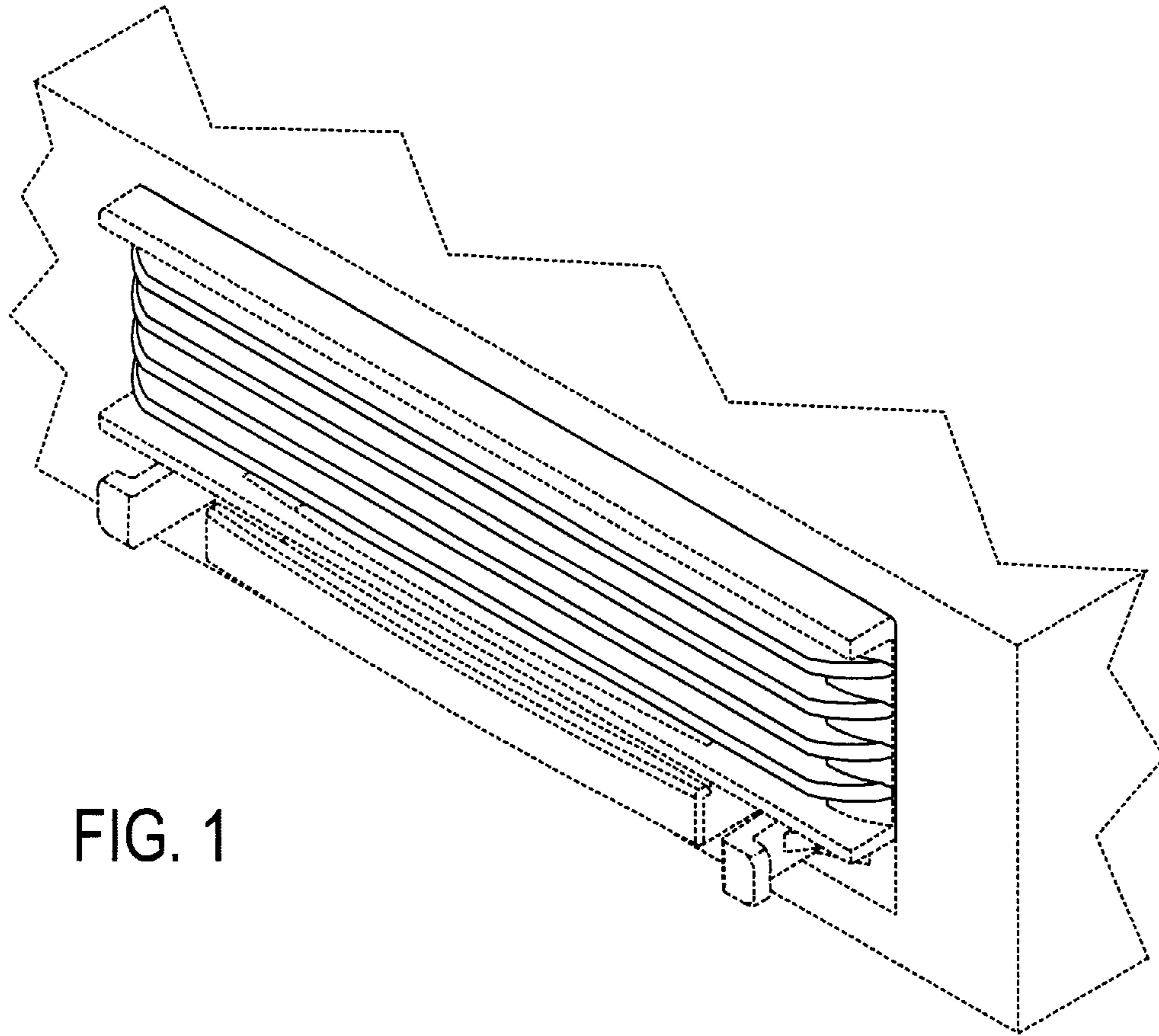


FIG. 1

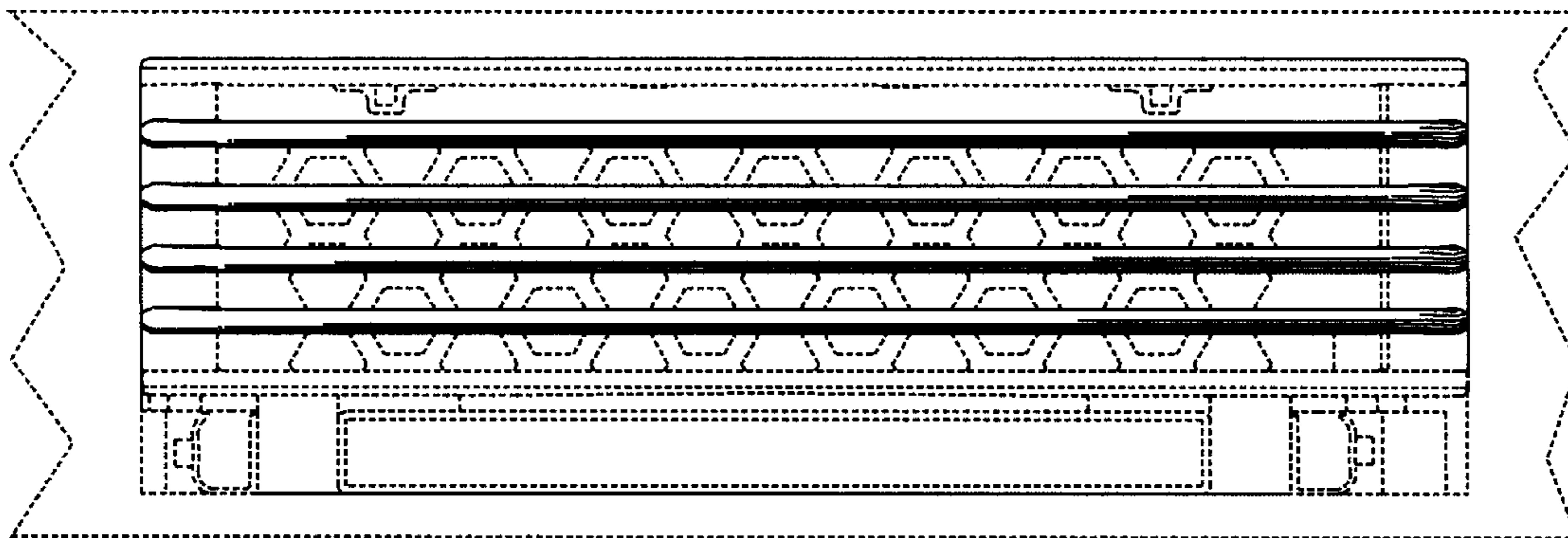


FIG. 2

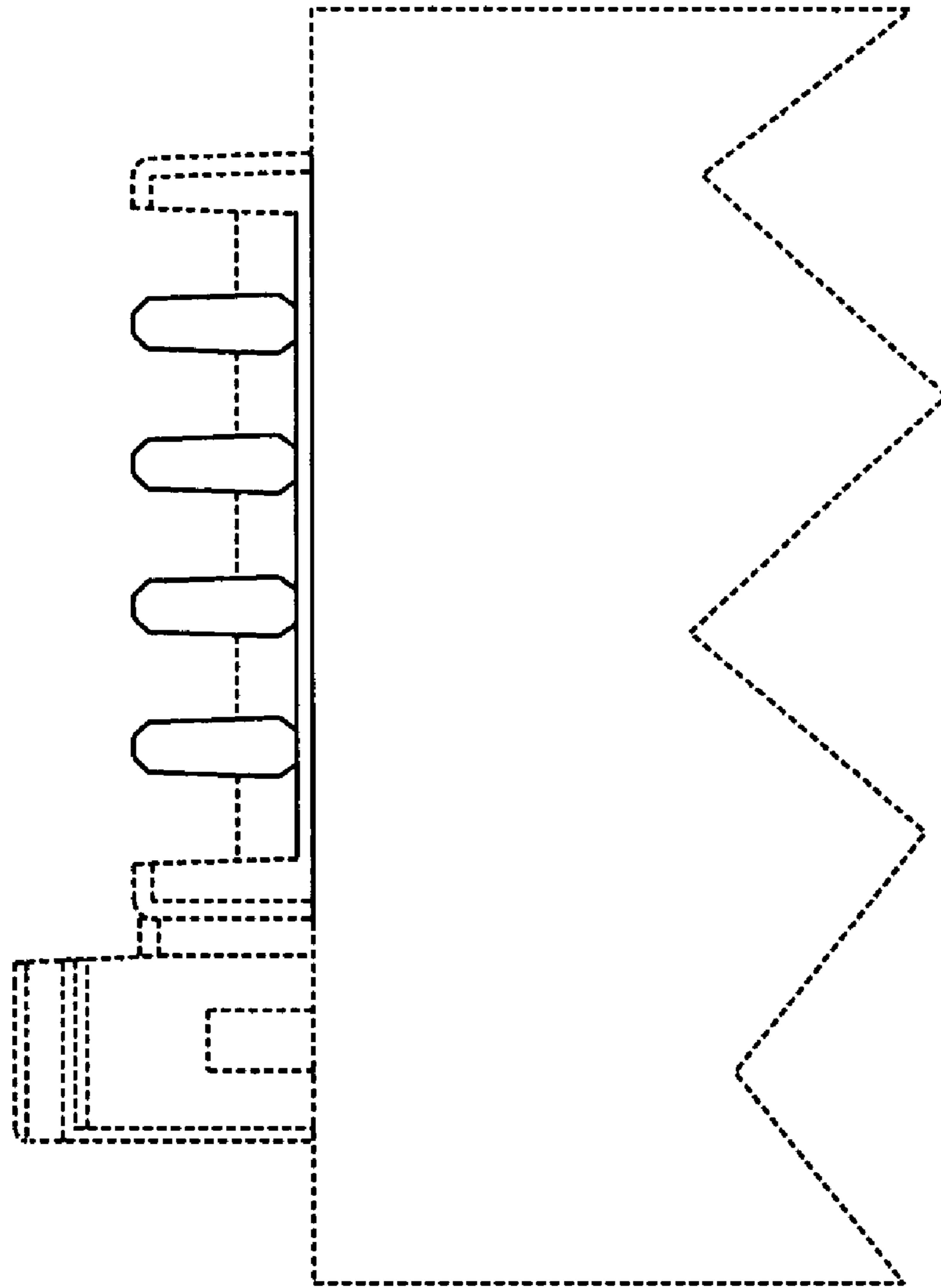


FIG. 3



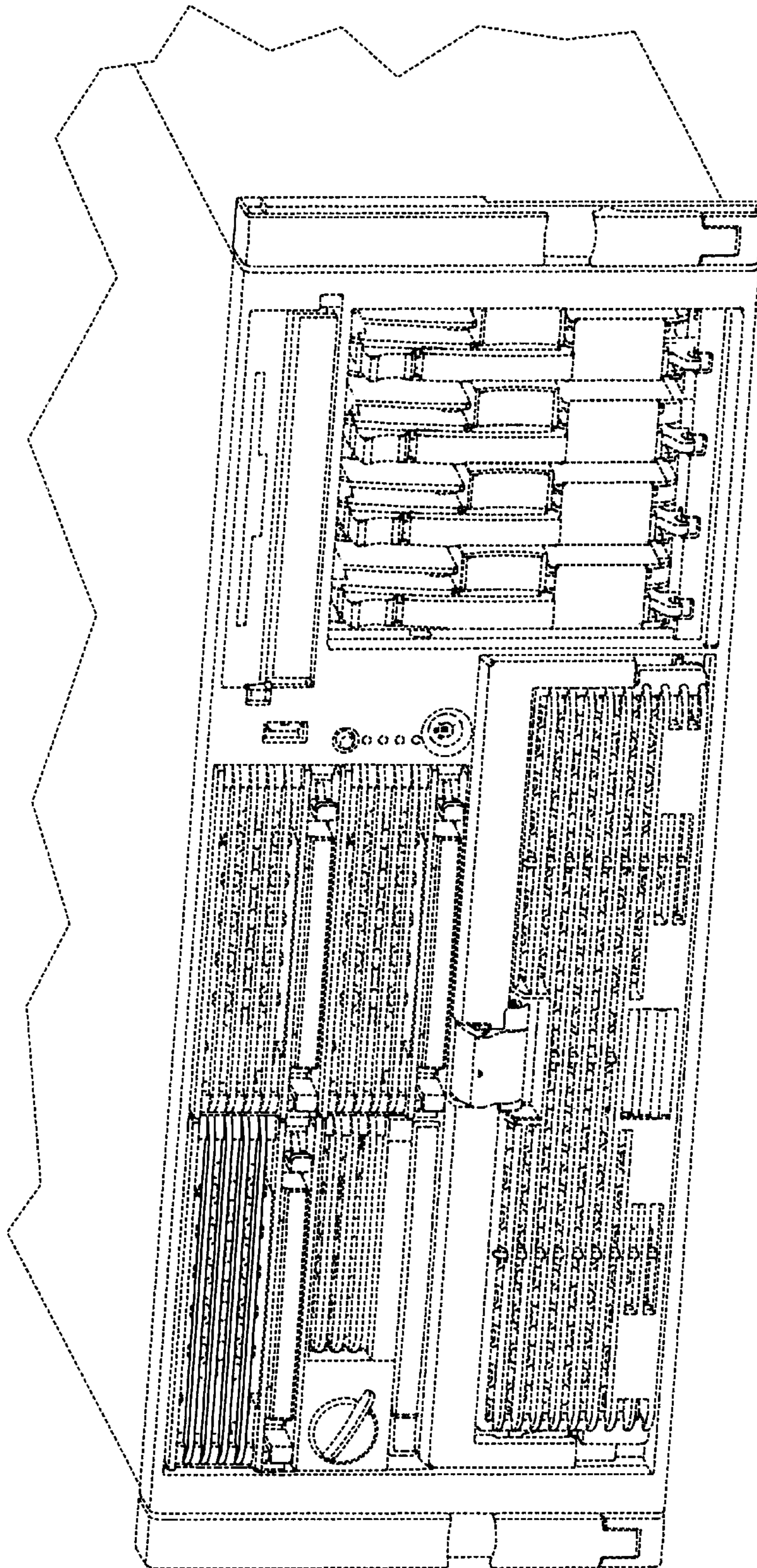


FIG. 4

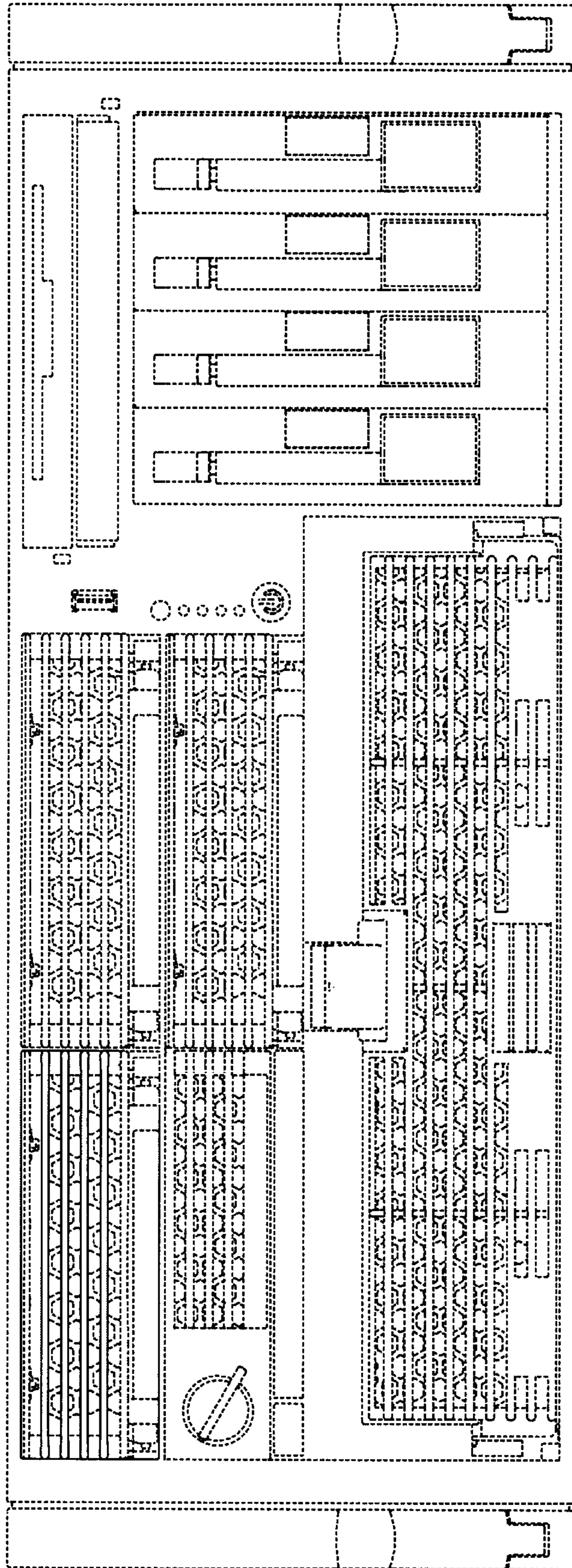


FIG. 5