



US00D540327S

(12) **United States Design Patent**
Wong et al.

(10) **Patent No.:** **US D540,327 S**

(45) **Date of Patent:** **** Apr. 10, 2007**

(54) **CRADLE FOR AN ELECTRONIC DEVICE**

2003/0072133 A1 * 4/2003 Chuang 361/686

(75) Inventors: **Ka-Wei Adrian Wong**, Singapore (SG);
Chia Wei Oo, Singapore (SG)

OTHER PUBLICATIONS

(73) Assignee: **Creative Technology Ltd**, Singapore (SG)

AMAZON.COM web site featuring Apple iPod Mini Dock for sale, Date first available for sale on Amazon; Feb. 27, 2004, 2 pages.

(**) Term: **14 Years**

AMAZON.COM web site featuring Creative Zen Portable Media Center Docking Station for sale, Date first available for sale on Amazon: Oct. 21, 2004, 3 pages.

(21) Appl. No.: **29/223,872**

GDEX Online Game Store web site featuring Multiple Stand PSP Cradle for sale, Date first available for sale on Amazon: May 17, 2004, 3 pages.

(22) Filed: **Feb. 17, 2005**

(51) **LOC (8) Cl.** **14-02**

* cited by examiner

(52) **U.S. Cl.** **D14/434**

Primary Examiner—Alan P. Douglas

(58) **Field of Classification Search** D14/434,

Assistant Examiner—Susan Moon Lee

D14/447, 432, 433, 385, 357; D13/199, 107,

(74) *Attorney, Agent, or Firm*—P. Francois de Villiers

D13/108, 118; 361/600, 679, 683, 686; 320/113–115

See application file for complete search history.

(57) **CLAIM**

(56) **References Cited**

The ornamental design for a cradle for an electronic device, substantially as shown and described.

U.S. PATENT DOCUMENTS

DESCRIPTION

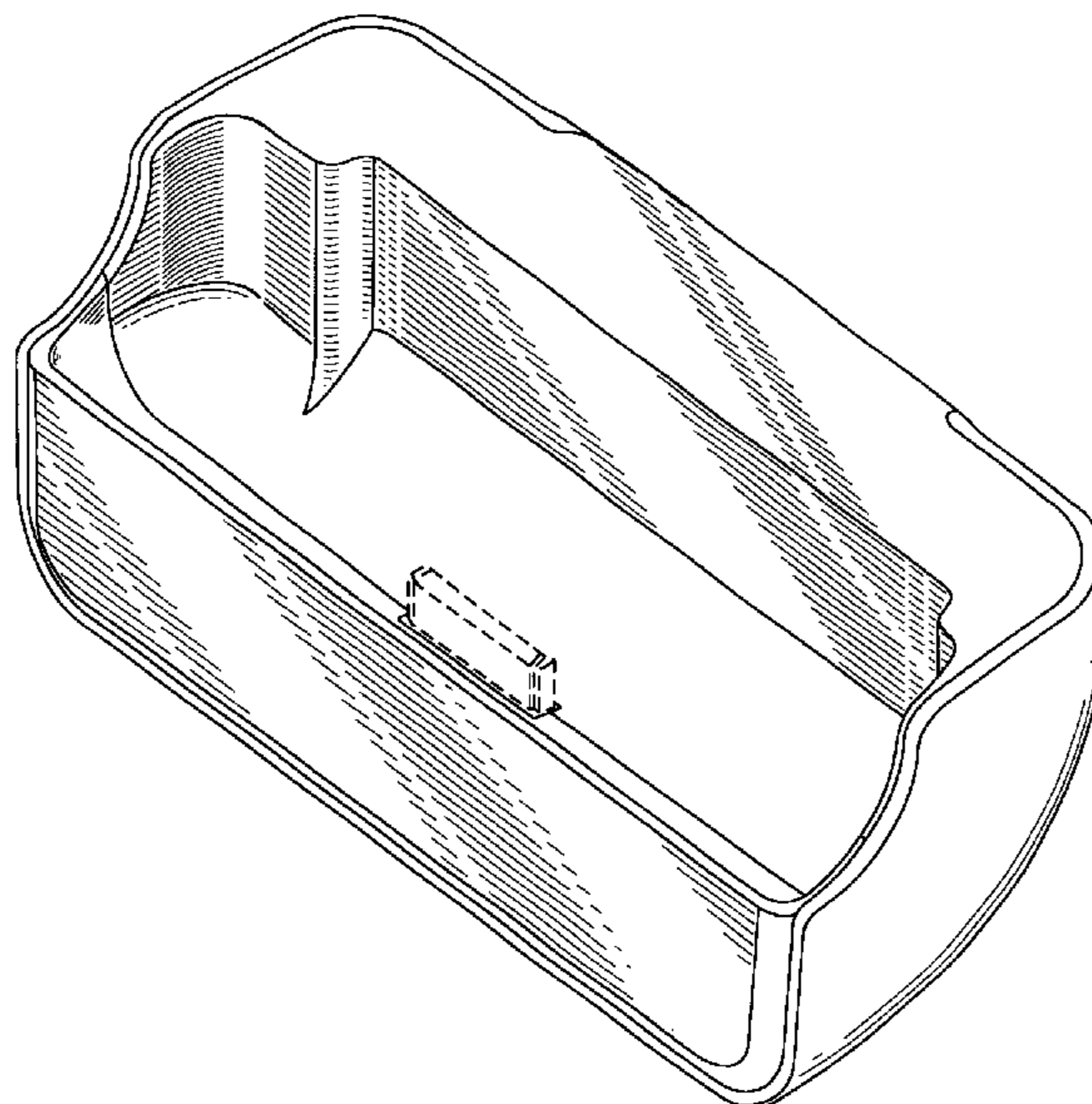
D301,456 S	*	6/1989	Siddoway	D13/107
D328,276 S	*	7/1992	Koinuma	D13/107
D358,821 S	*	5/1995	Hellier et al.	D14/253
5,627,727 A	*	5/1997	Aguilera et al.	361/686
5,875,094 A	*	2/1999	Kirkendoll	361/686
D409,170 S	*	5/1999	Ota et al.	D14/357
D419,160 S	*	1/2000	Davidson et al.	D14/253
D420,989 S	*	2/2000	Sandhu et al.	D14/447
6,065,880 A	*	5/2000	Thompson	385/88
D444,124 S	*	6/2001	Casey et al.	D13/108
D444,765 S	*	7/2001	Kolinen	D13/107
D466,511 S		12/2002	Croley et al.		
D467,584 S	*	12/2002	Sabella et al.	D14/385
D474,737 S	*	5/2003	Yoshida	D13/108
D483,052 S	*	12/2003	Utsunomiya	D16/242
D485,234 S	*	1/2004	Katayama	D13/108
2002/0079864 A1	*	6/2002	Soumi et al.	320/115
2003/0048599 A1	*	3/2003	Martin	361/683

FIG. 1 is a perspective front view of a cradle for an electronic device in accordance with the present design; FIG. 2 is a perspective rear view of the cradle shown in FIG. 1;

FIG. 3 is a front view of the cradle shown in FIG. 1; FIG. 4 is a rear view of the cradle shown in FIG. 1; FIG. 5 is a right side view of the cradle shown in FIG. 1; FIG. 6 is a left side view of the cradle shown in FIG. 1; FIG. 7 is a bottom view of the cradle shown in FIG. 1; and, FIG. 8 is a top view of the cradle shown in FIG. 1.

Features illustrated in phantom using dashed lines (broken lines) are shown for exemplary purposes only and form no part of the claimed design.

1 Claim, 3 Drawing Sheets



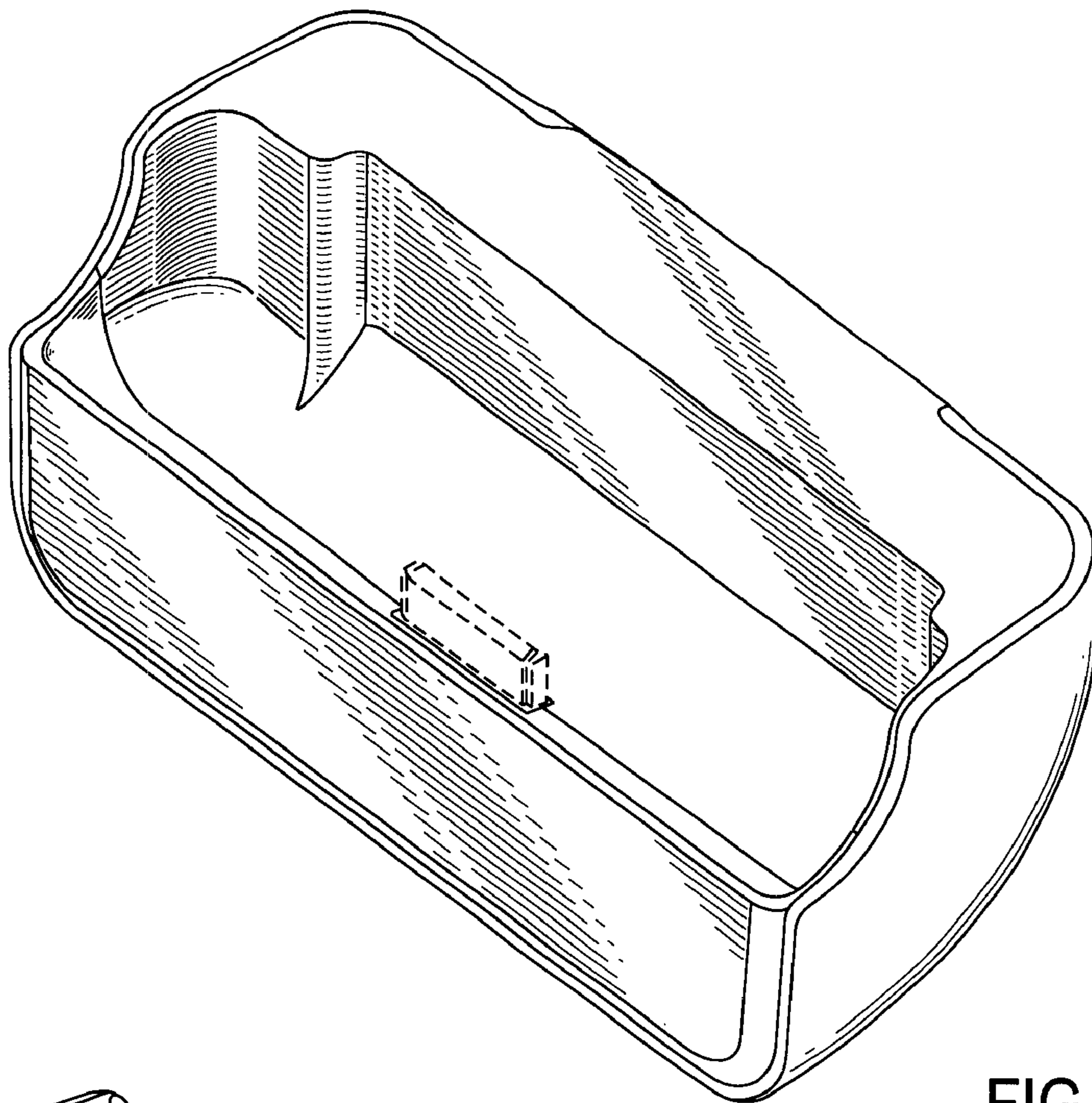


FIG. 1

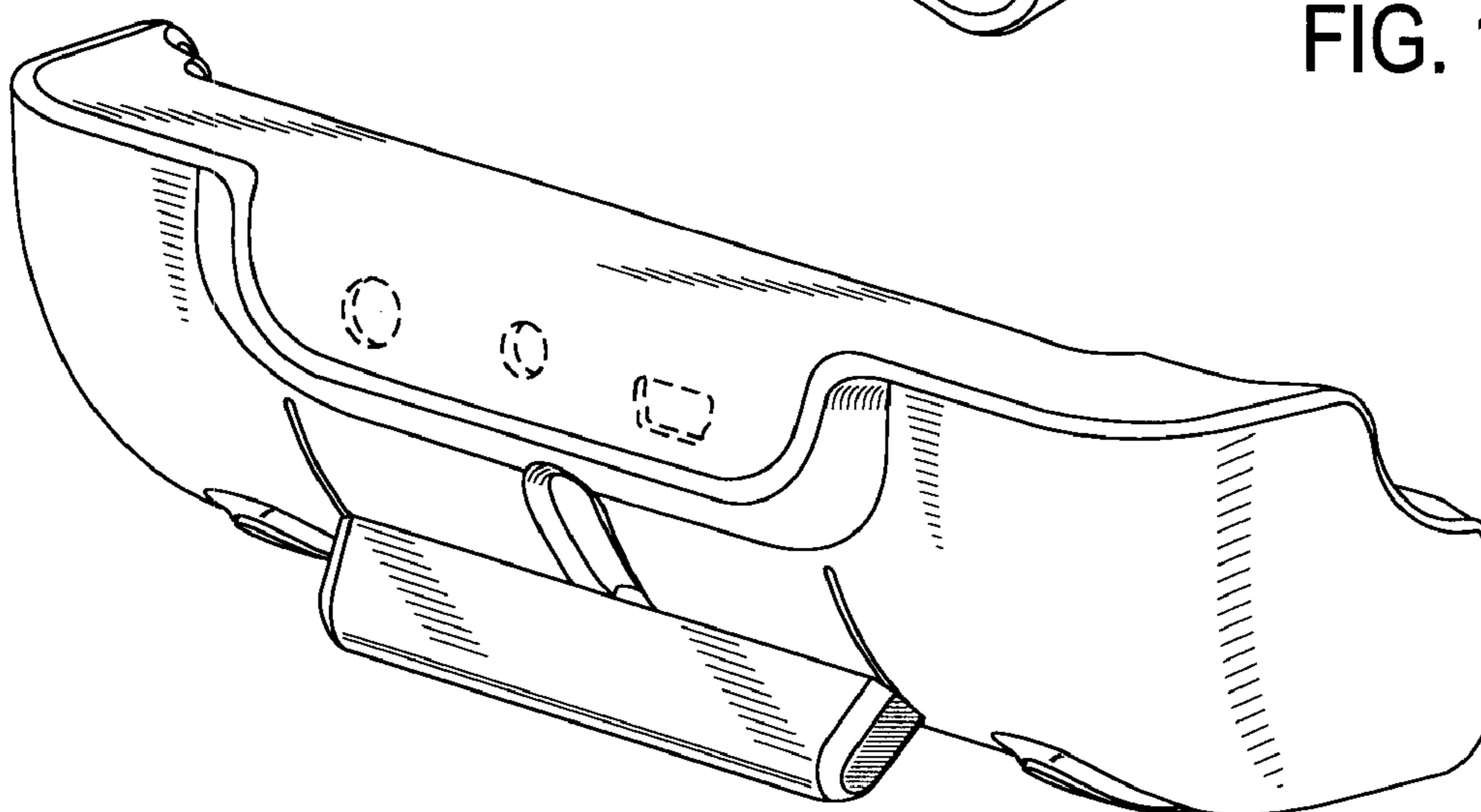


FIG. 2

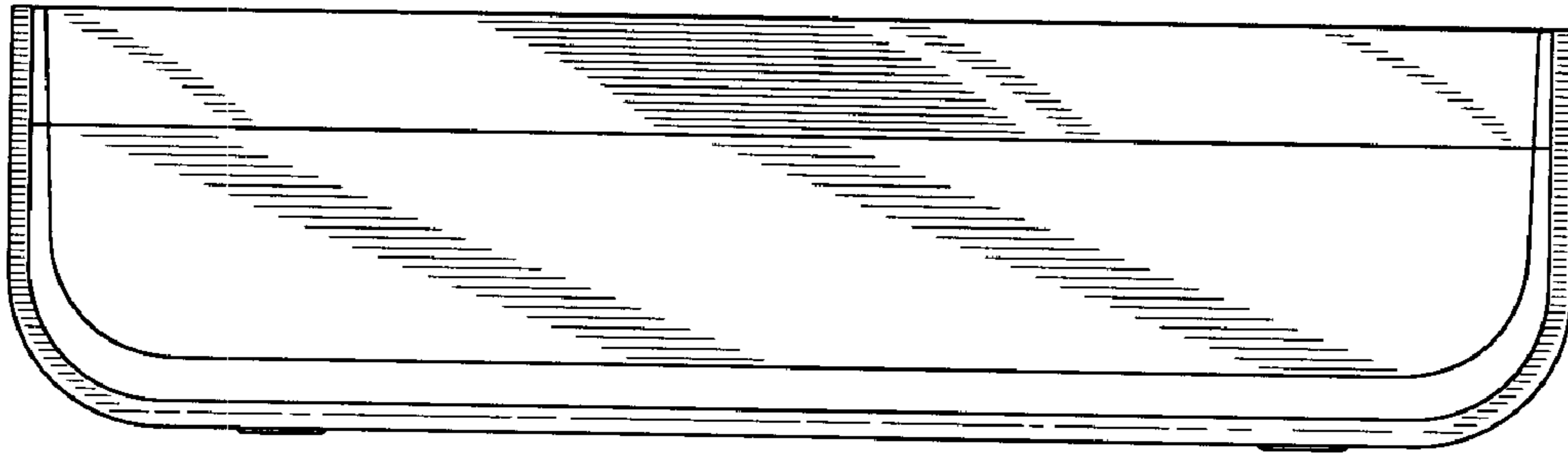


FIG. 3

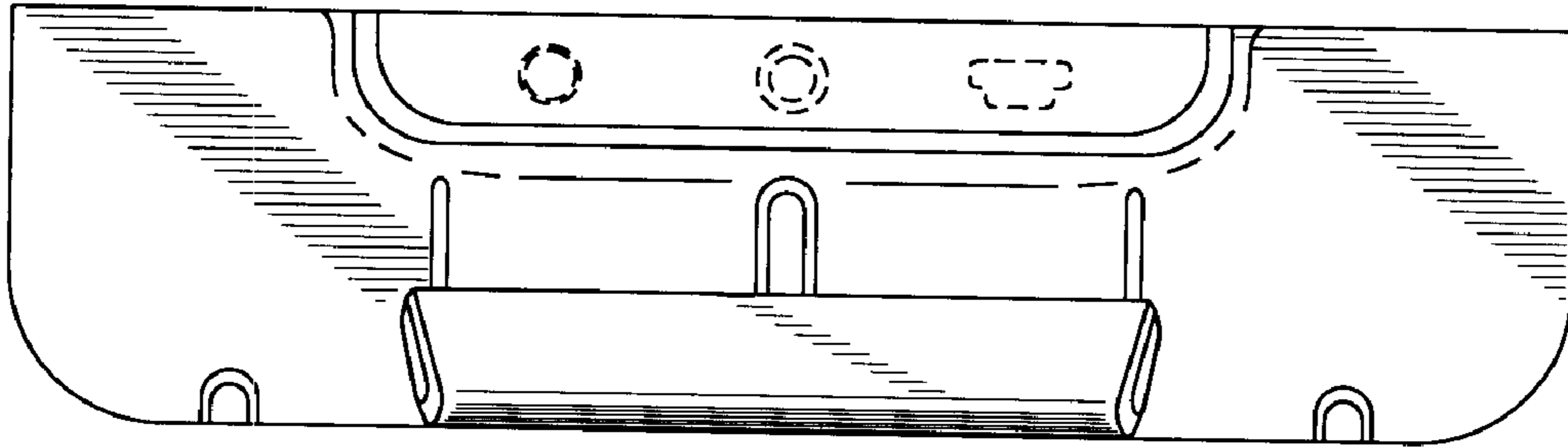


FIG. 4

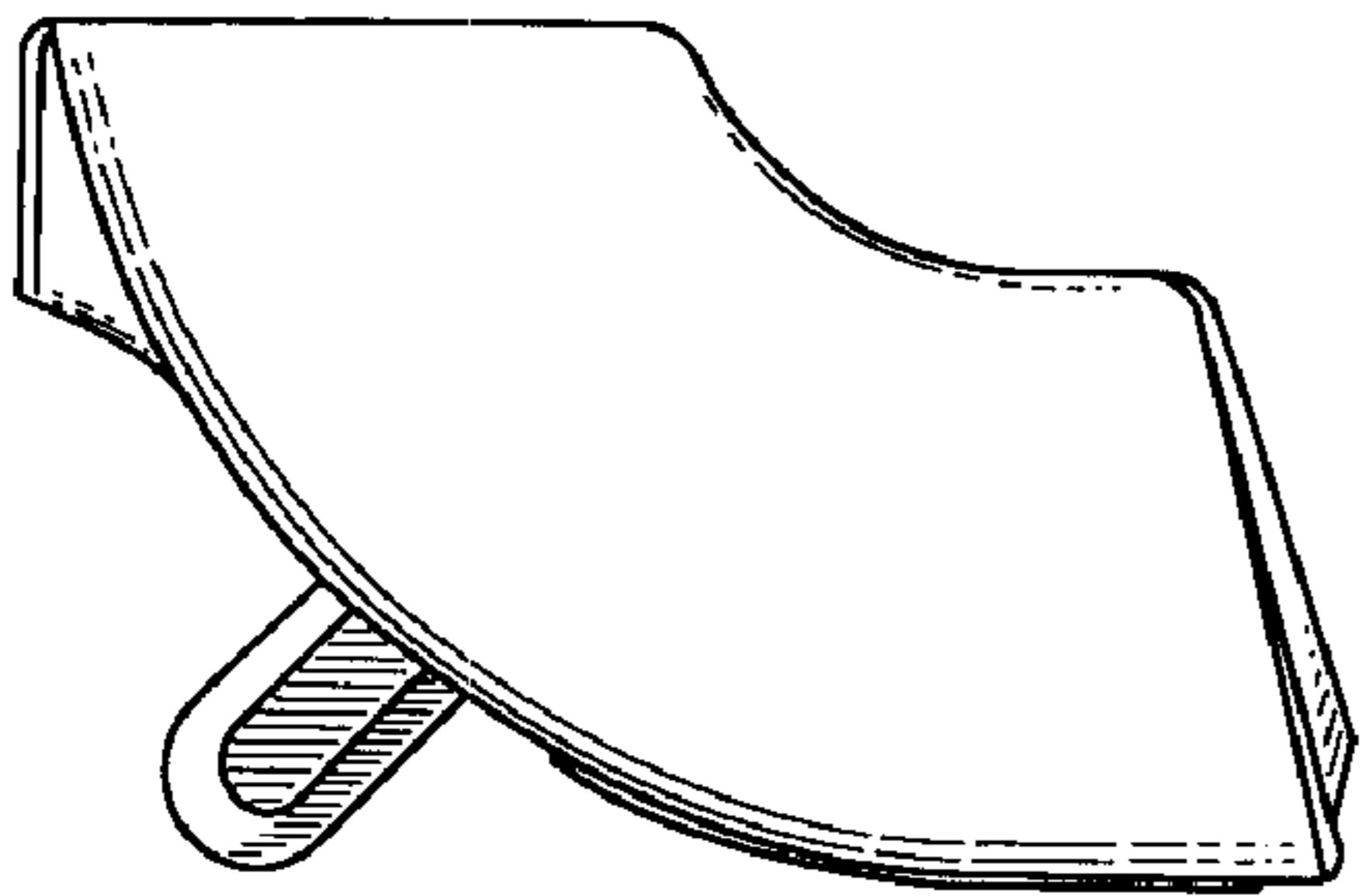


FIG. 5

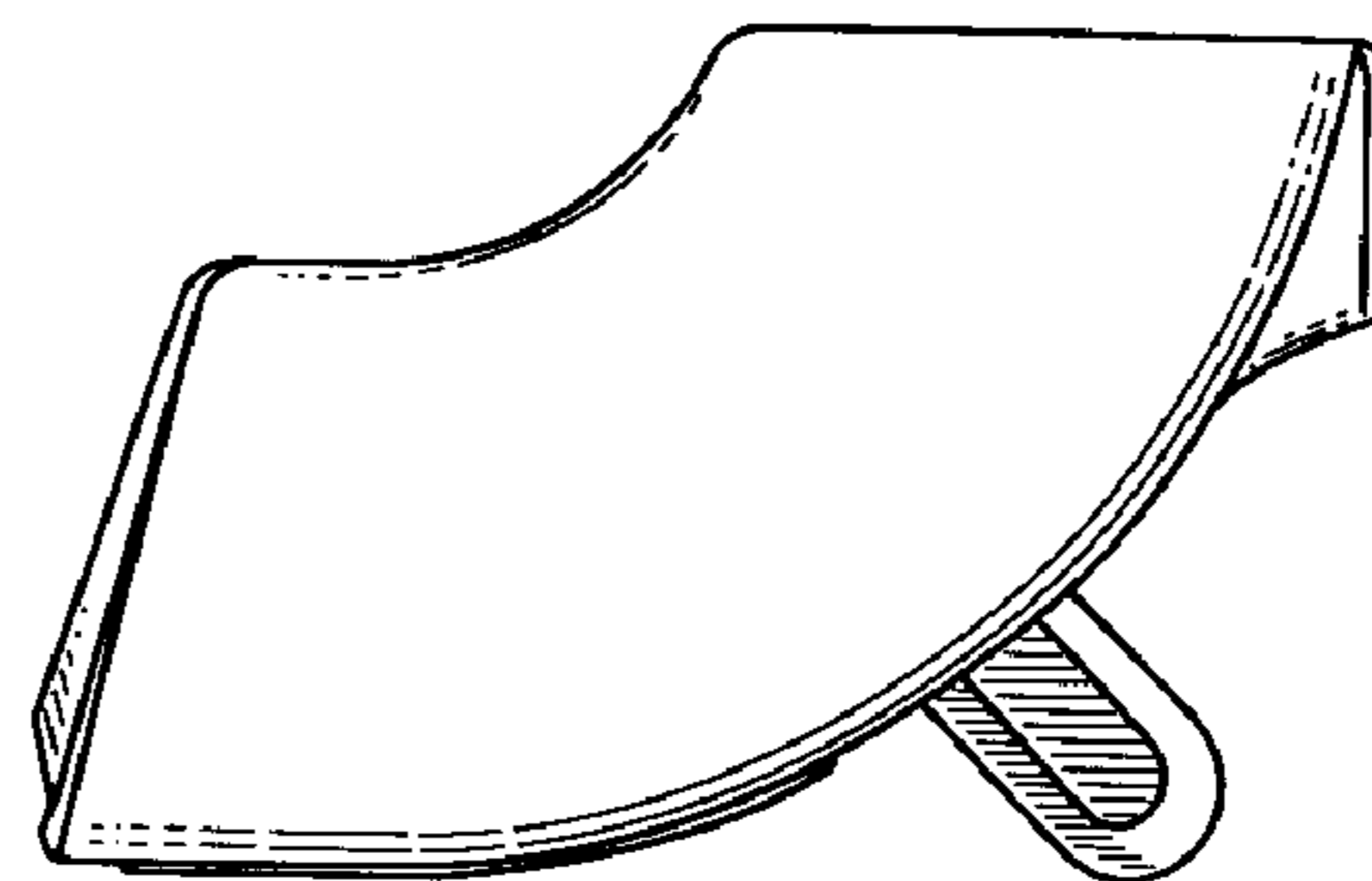


FIG. 6

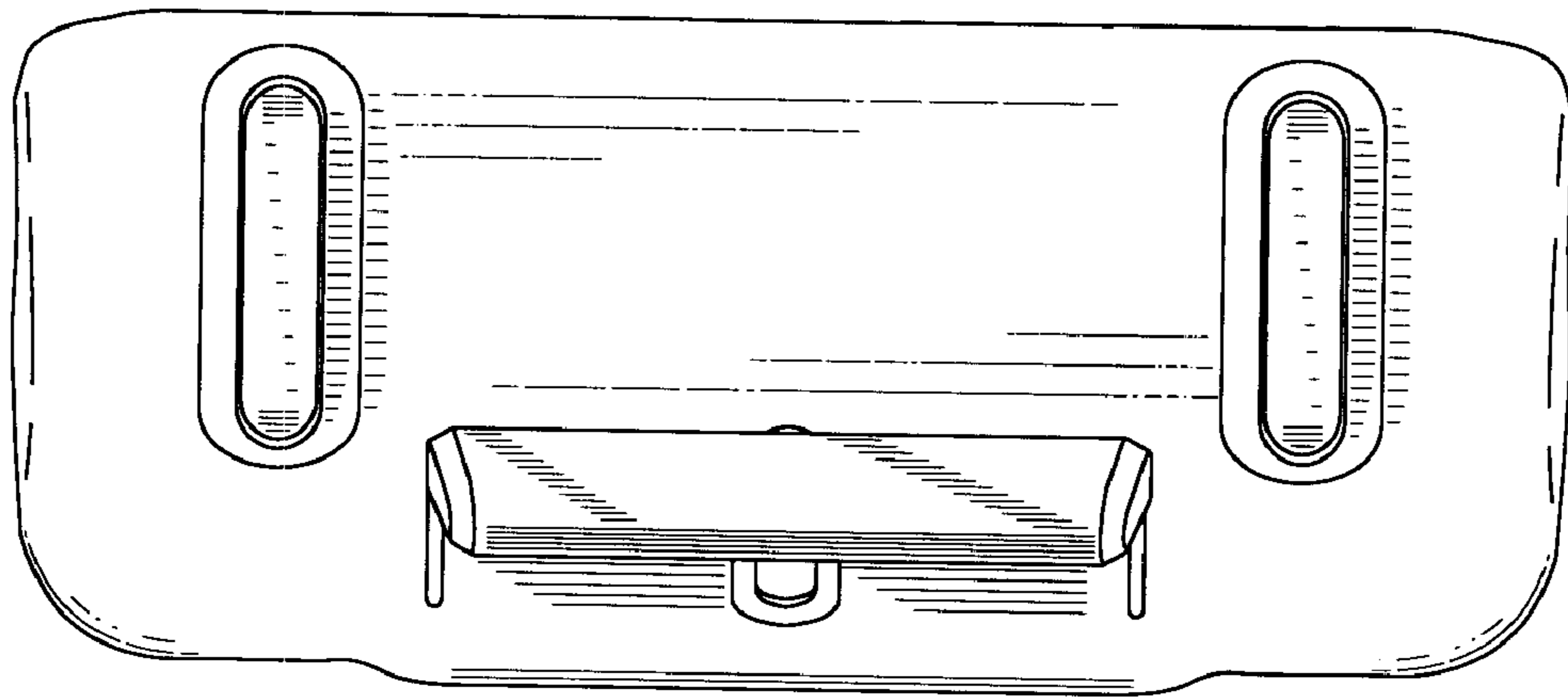


FIG. 7

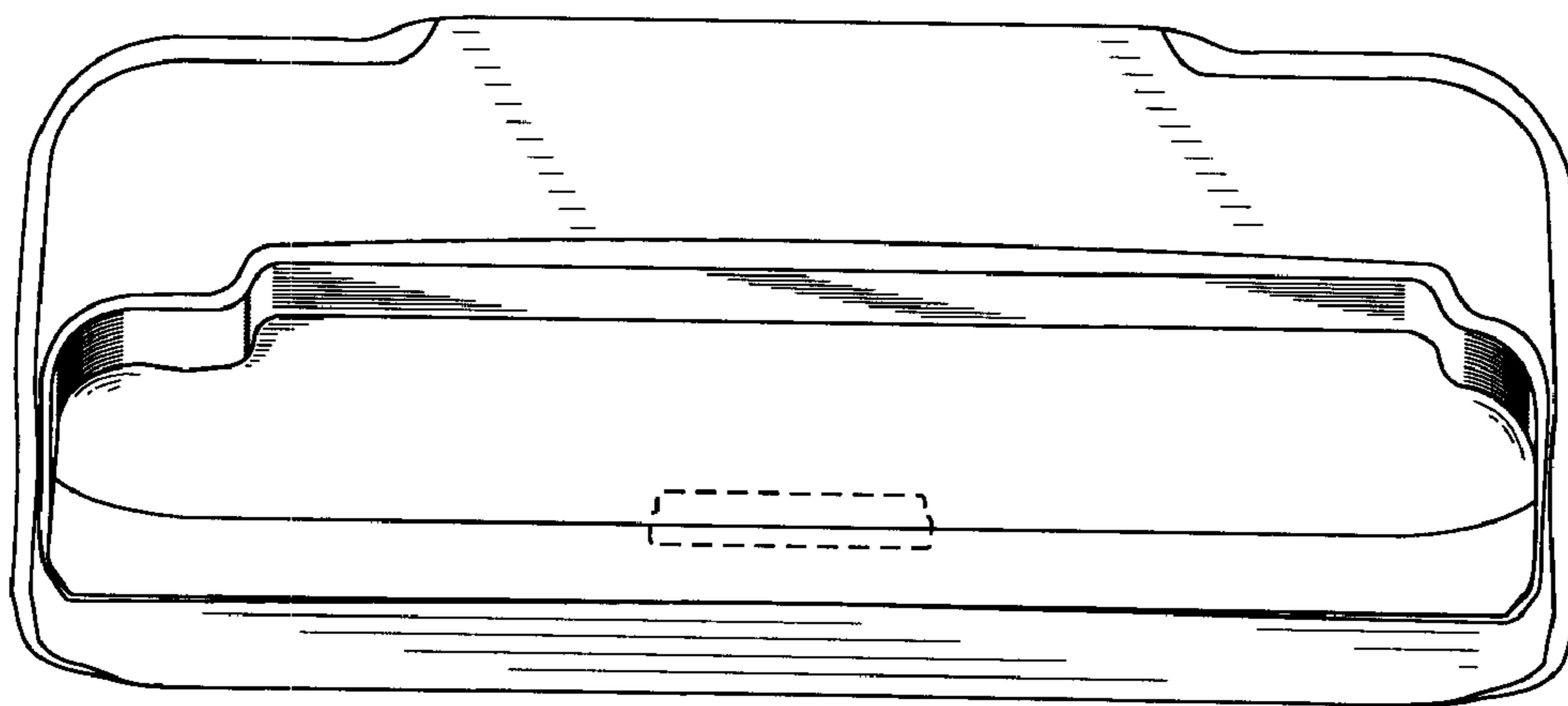


FIG. 8