

US00D540323S

(12) **United States Design Patent**  
**Fisher et al.**

(10) **Patent No.:** **US D540,323 S**  
(45) **Date of Patent:** **\*\* Apr. 10, 2007**

(54) **PORTION OF AN ELECTRONIC MOUSE**

D528,118 S \* 9/2006 Canavan et al. .... D14/407

(75) Inventors: **Steven W. Fisher**, Kirkland, WA (US);  
**Young Soo Kim**, Bellevue, WA (US)

\* cited by examiner

*Primary Examiner*—Pamela J. Burgess

(73) Assignee: **Microsoft Corporation**, Redmond, WA (US)

(74) *Attorney, Agent, or Firm*—Banner & Witcoff, Ltd.

(\*\*) Term: **14 Years**

(57) **CLAIM**

The ornamental design for a portion of an electronic mouse, as shown and described.

(21) Appl. No.: **29/248,269**

**DESCRIPTION**

(22) Filed: **Aug. 7, 2006**

(51) **LOC (8) Cl.** ..... **14-02**

(52) **U.S. Cl.** ..... **D14/402**

(58) **Field of Classification Search** ..... D14/402–410,  
D14/417; 200/5 A, 5 R, 6 A, 6 R; 273/148 B;  
74/471 XY; 345/156–167; 463/36–38  
See application file for complete search history.

FIG. 1 is a rear perspective view of a portion of an electronic mouse showing our new design;  
FIG. 2 is a top view thereof;  
FIG. 3 is a left side view thereof;  
FIG. 4 is a right side view thereof;  
FIG. 5 is a front view thereof;  
FIG. 6 is a rear view thereof;  
FIG. 7 is a rear perspective view of an alternate embodiment of our new design;  
FIG. 8 is a top view thereof;  
FIG. 9 is a left side view thereof;  
FIG. 10 is a right side view thereof;  
FIG. 11 is a front view thereof; and,  
FIG. 12 is a rear view thereof.

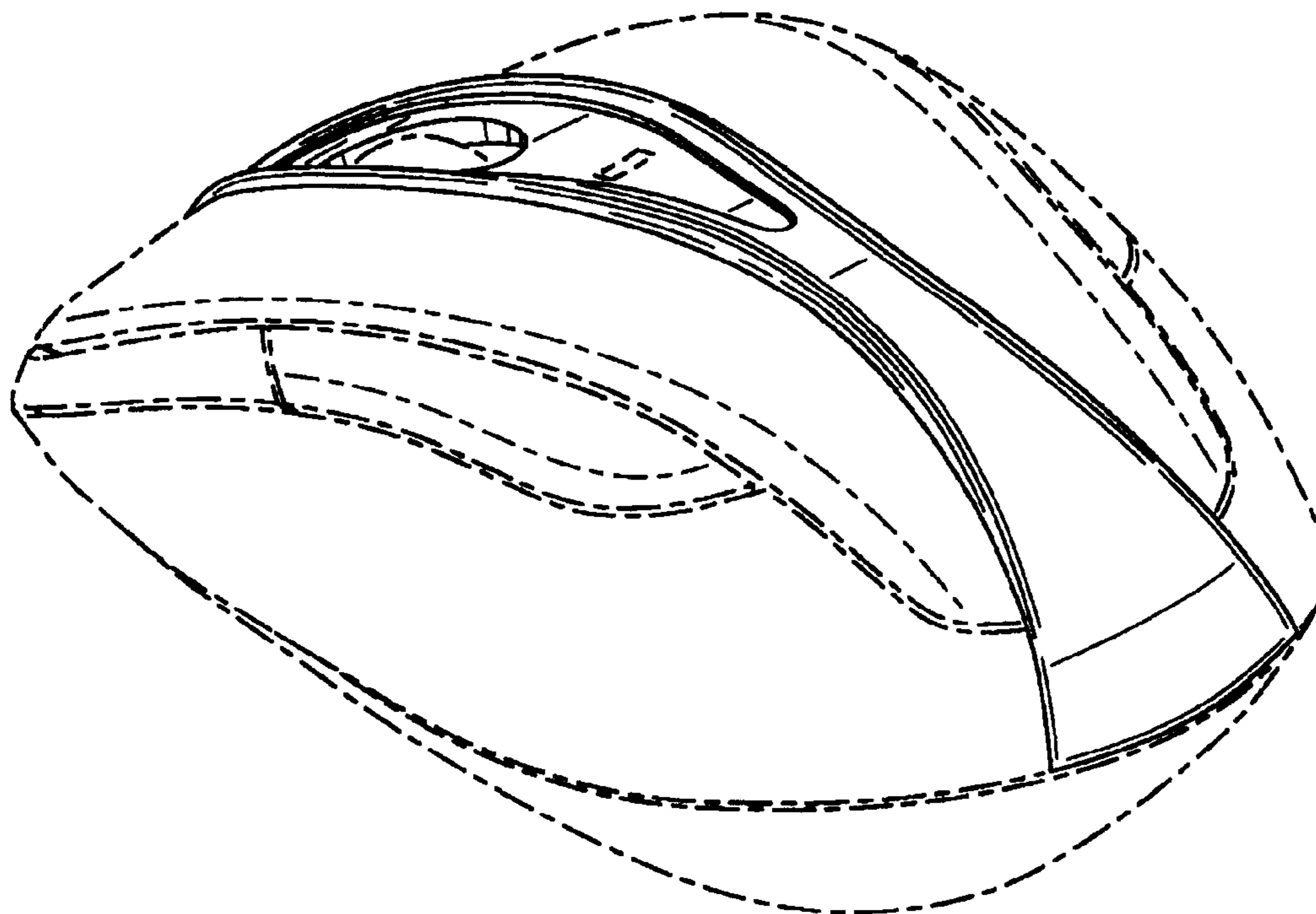
(56) **References Cited**

**U.S. PATENT DOCUMENTS**

D460,072 S	*	7/2002	Sheehan	.....	D14/408
D464,652 S	*	10/2002	Roh	.....	D14/408
D467,925 S	*	12/2002	Hu et al.	.....	D14/408
D474,769 S	*	5/2003	Fisher et al.	.....	D14/408
D479,529 S	*	9/2003	Sheehan et al.	.....	D14/408
D488,157 S	*	4/2004	Fisher	.....	D14/408
D491,948 S	*	6/2004	Fisher	.....	D14/408
D491,949 S	*	6/2004	Su et al.	.....	D14/408
D504,133 S	*	4/2005	Canavan et al.	.....	D14/402
D514,106 S	*	1/2006	Pan	.....	D14/408

The broken line showing of the wheel and the rectangle, the unshaded areas therein and the remainder of the portion of an electronic mouse is for illustrative purposes only and forms no part of the claimed design.

**1 Claim, 6 Drawing Sheets**



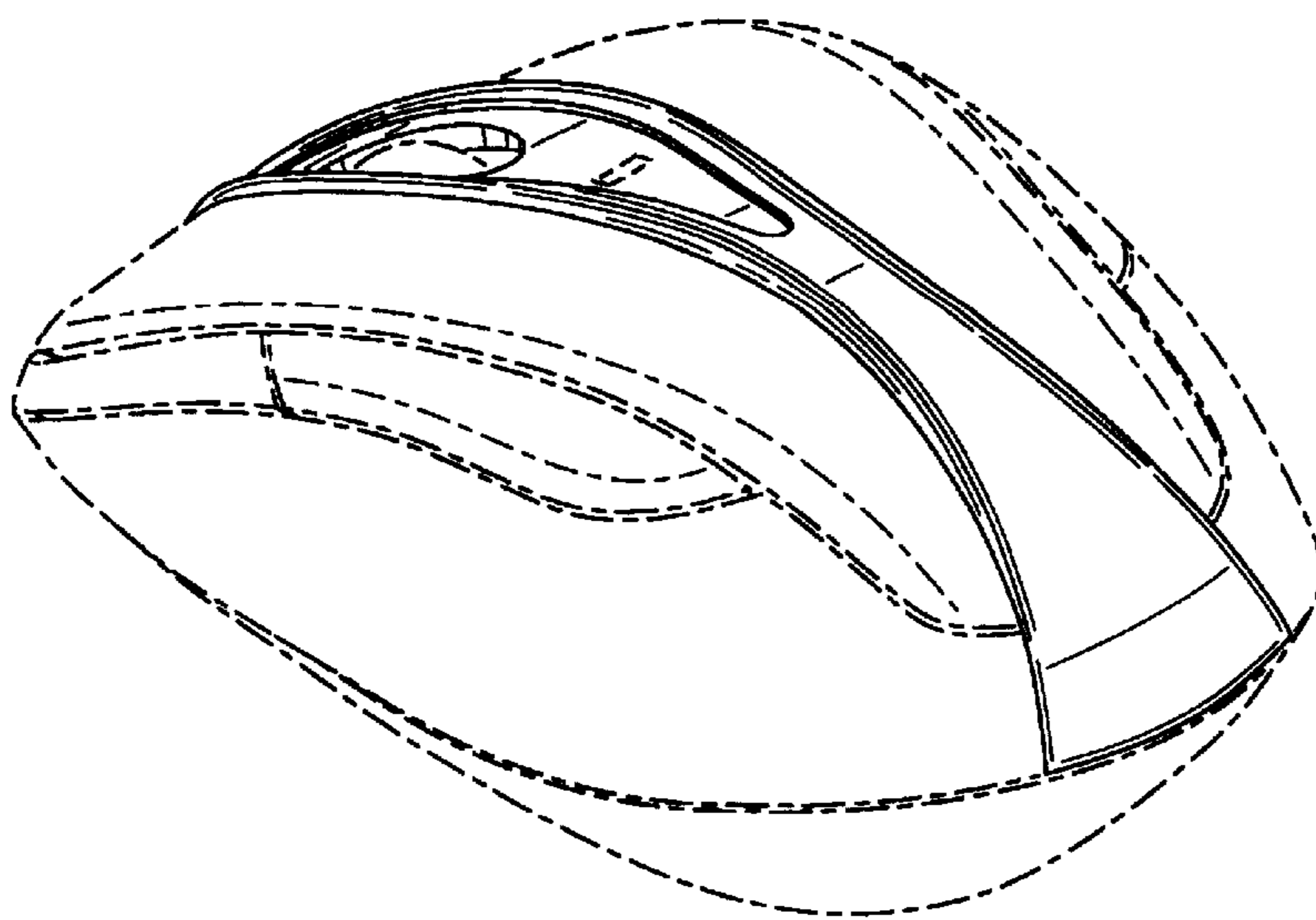


FIG. 1

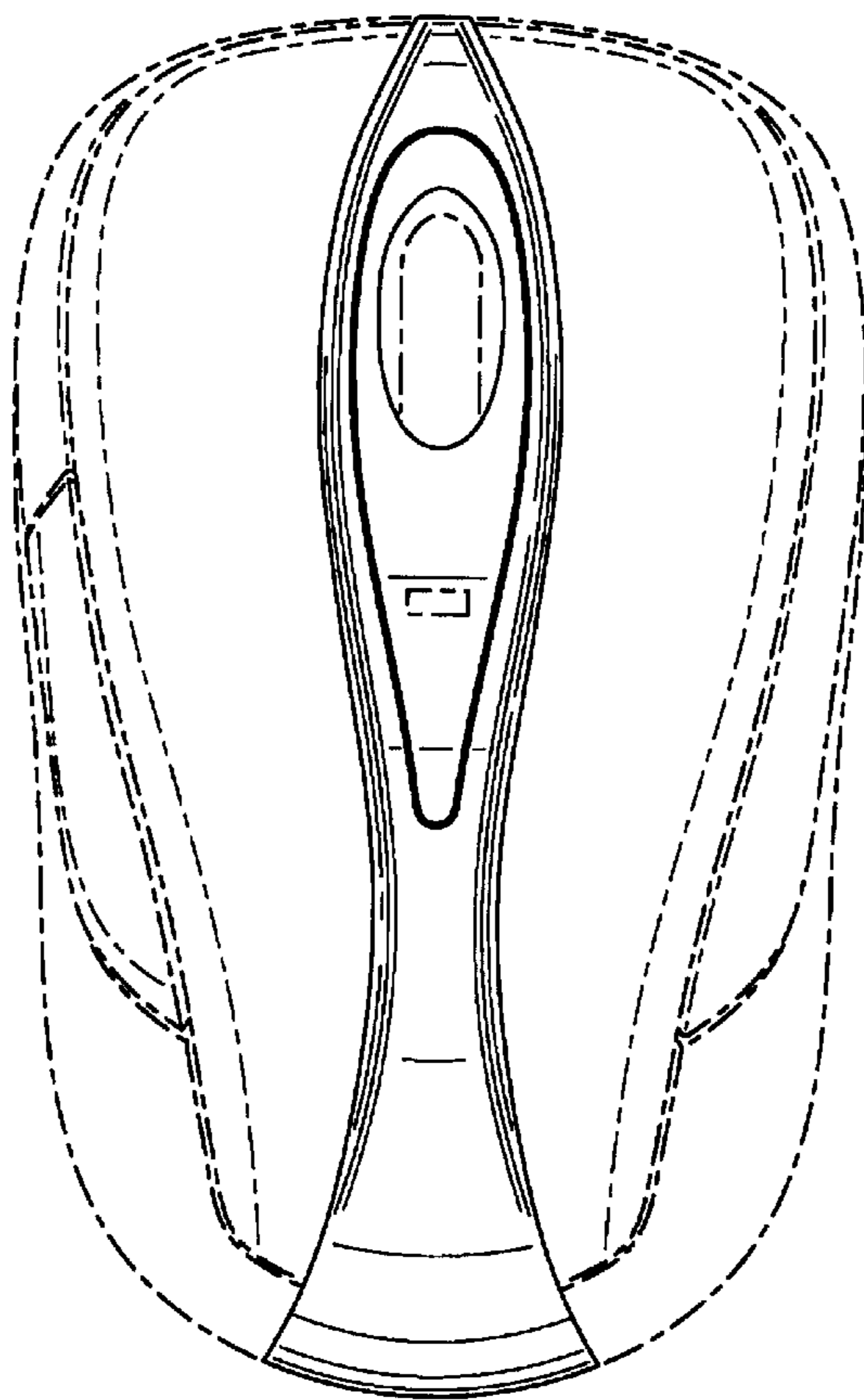


FIG. 2

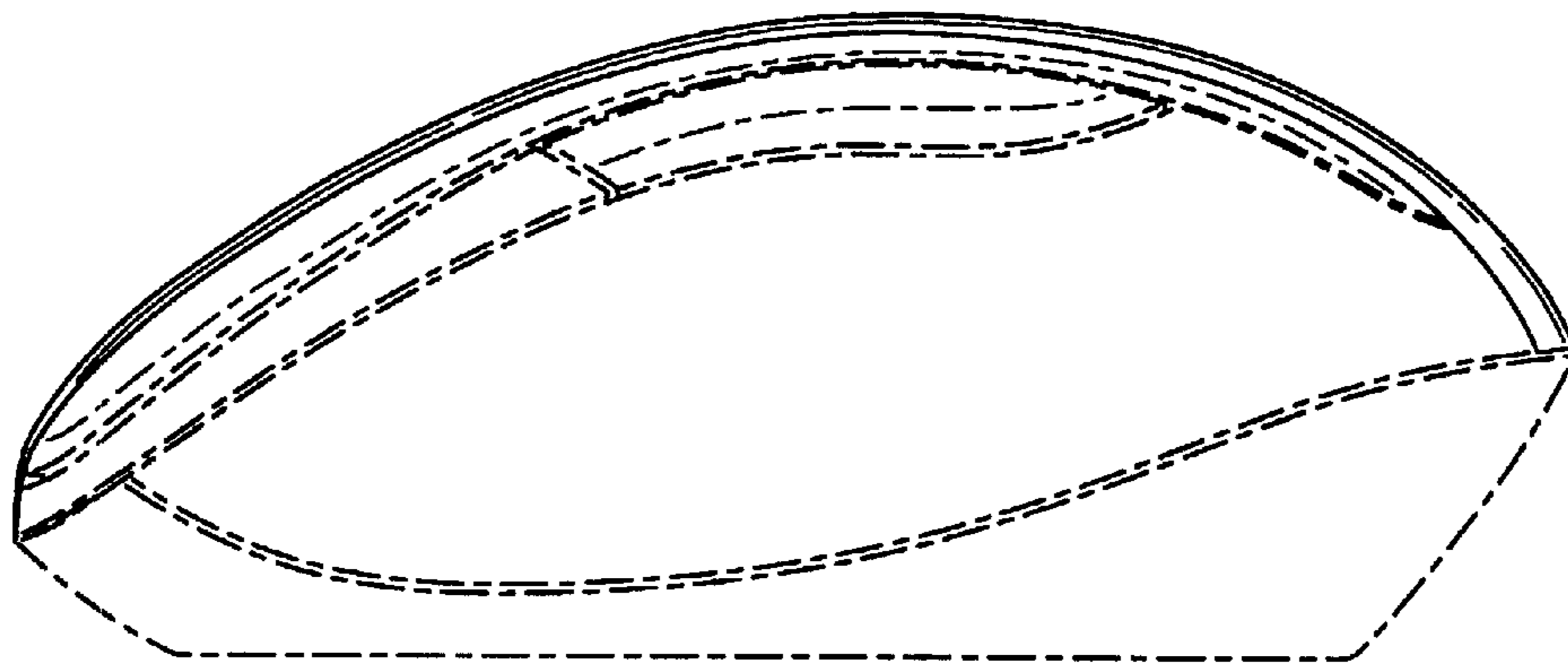


FIG. 3

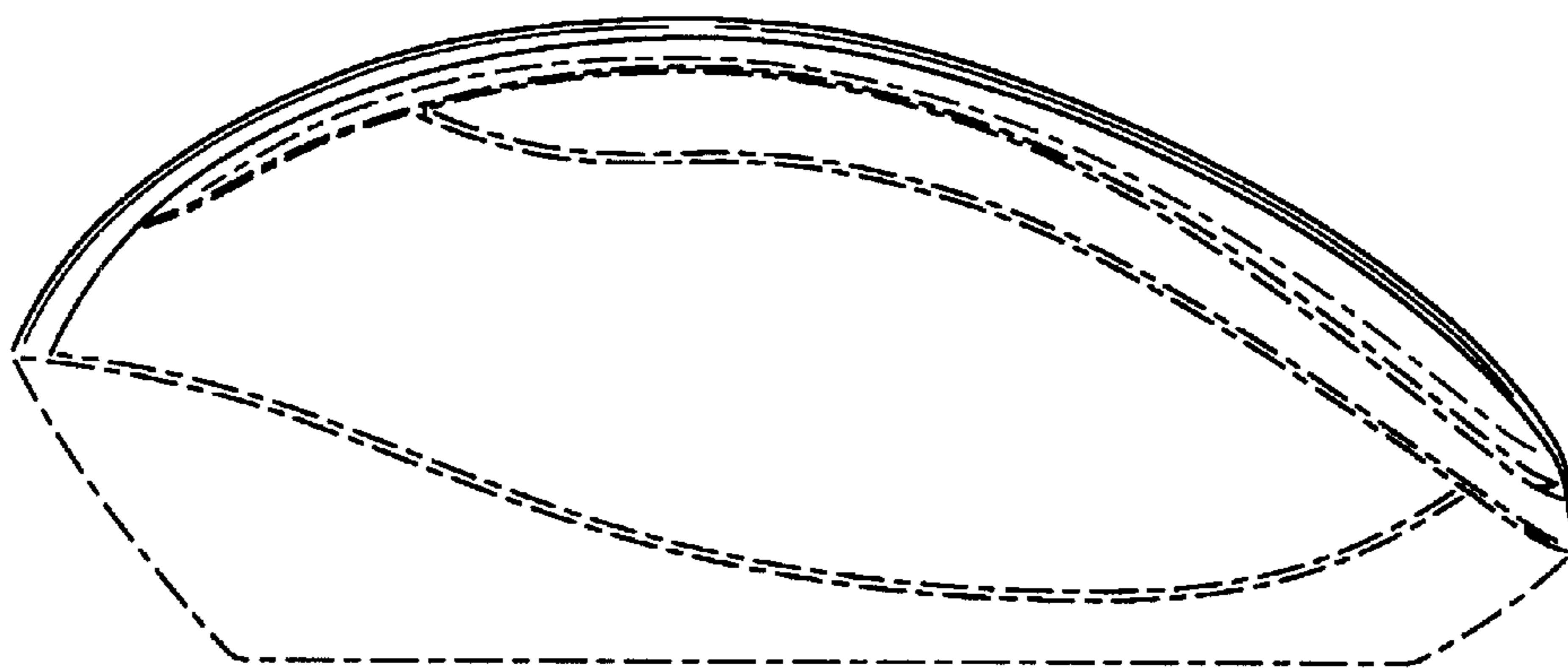


FIG. 4

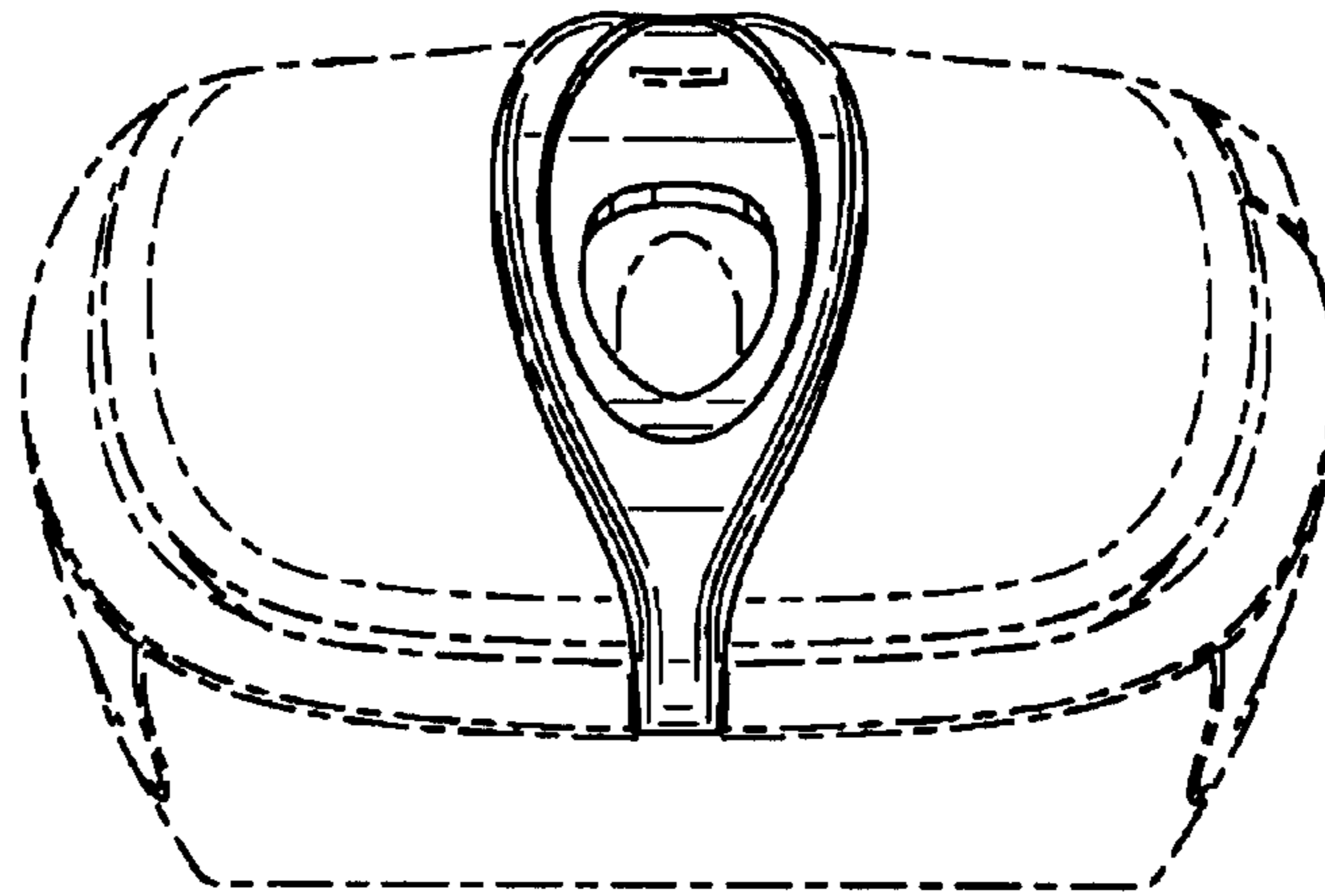


FIG. 5

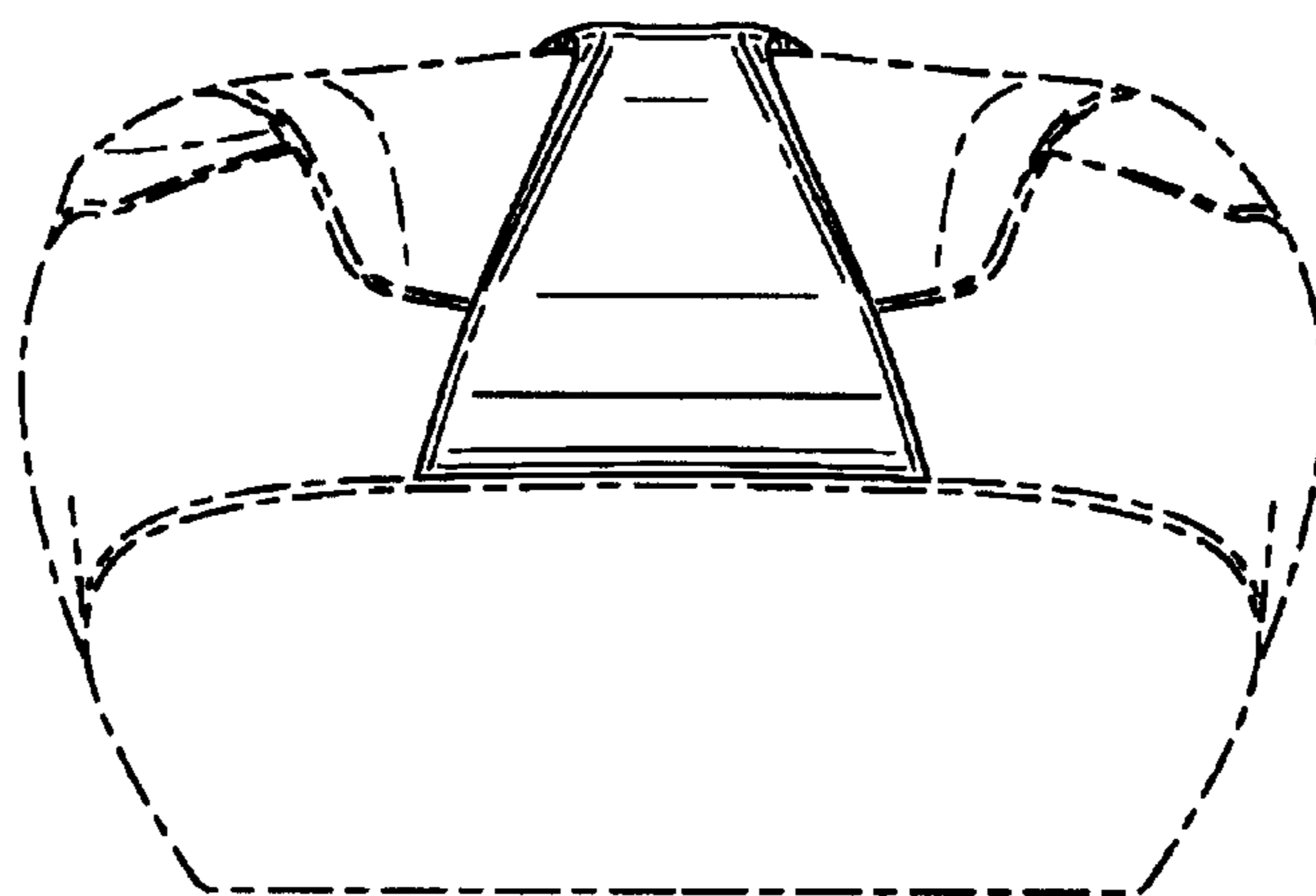


FIG. 6

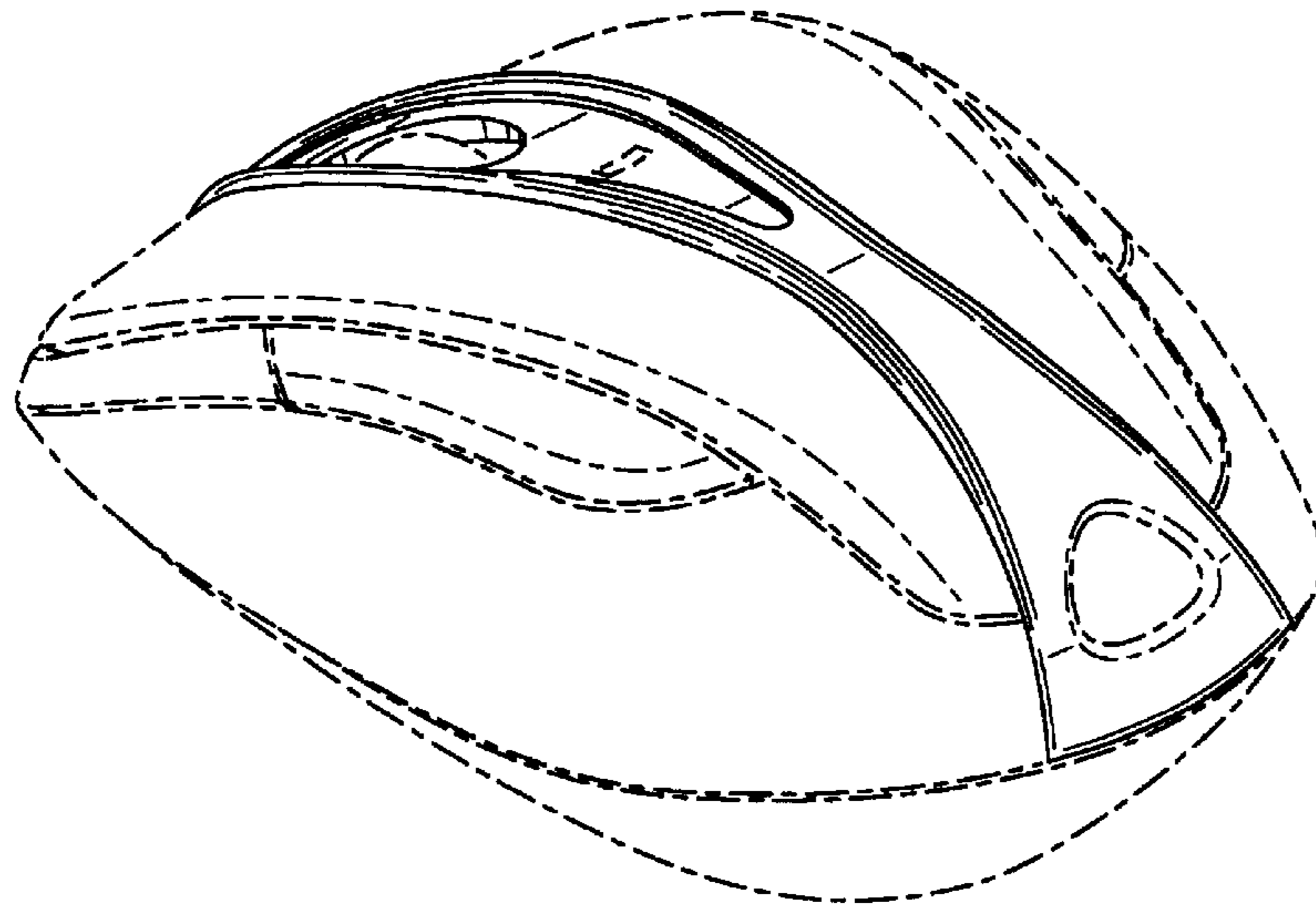


FIG. 7

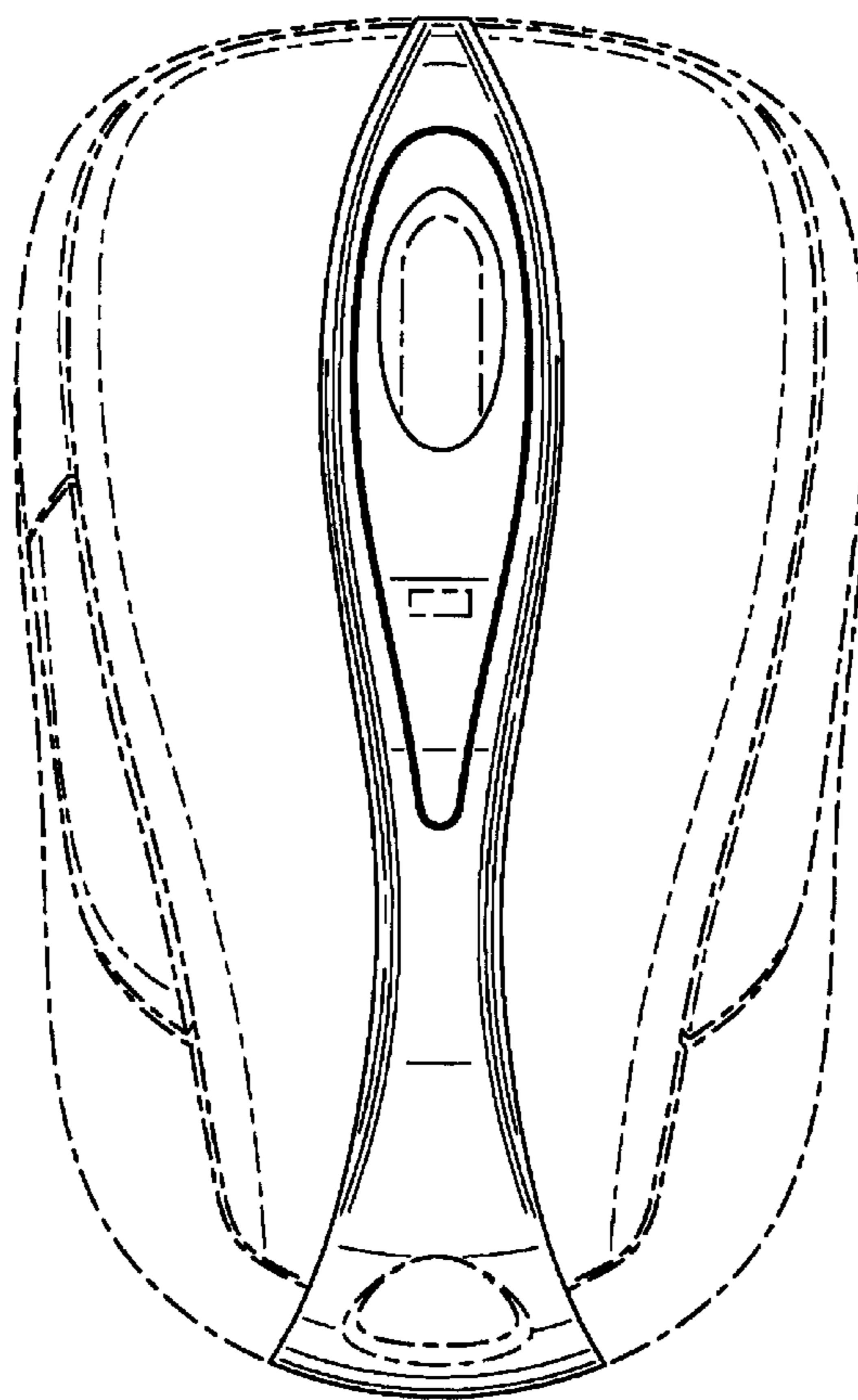


FIG. 8

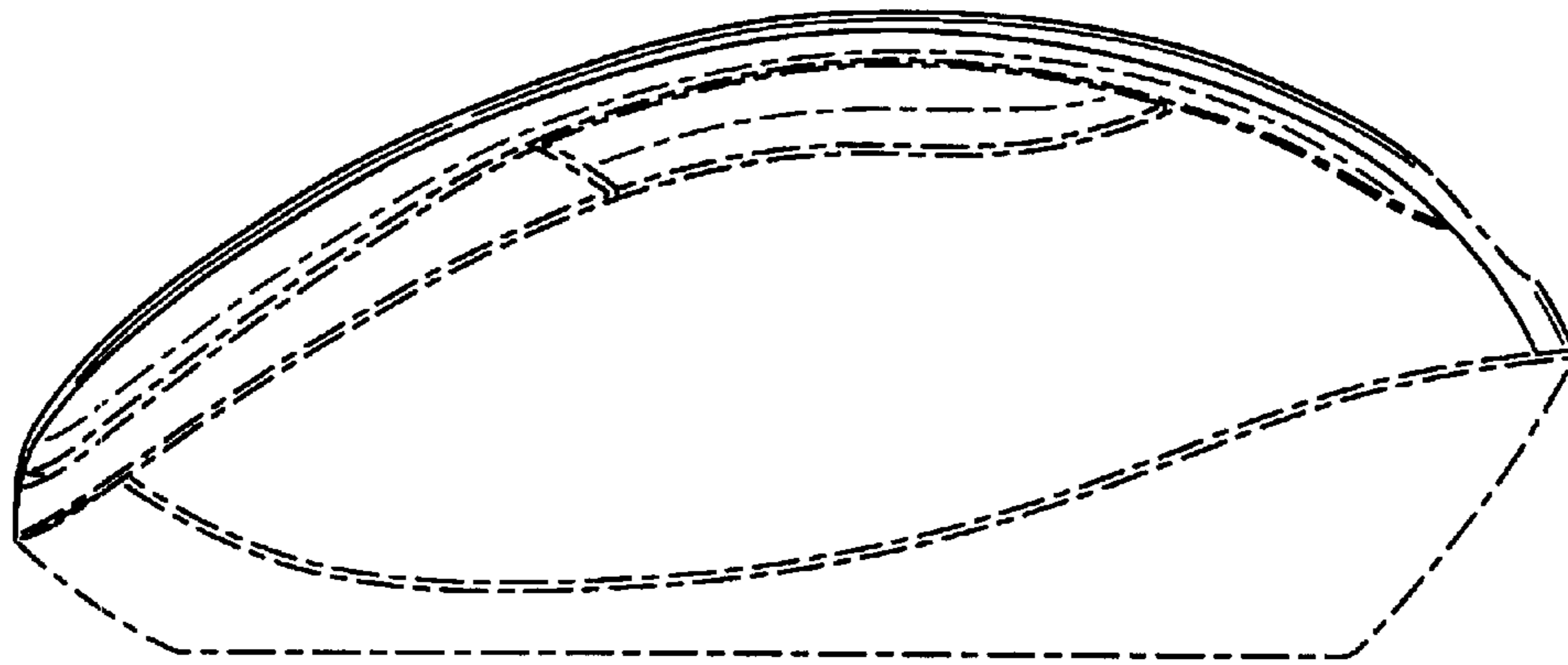


FIG. 9

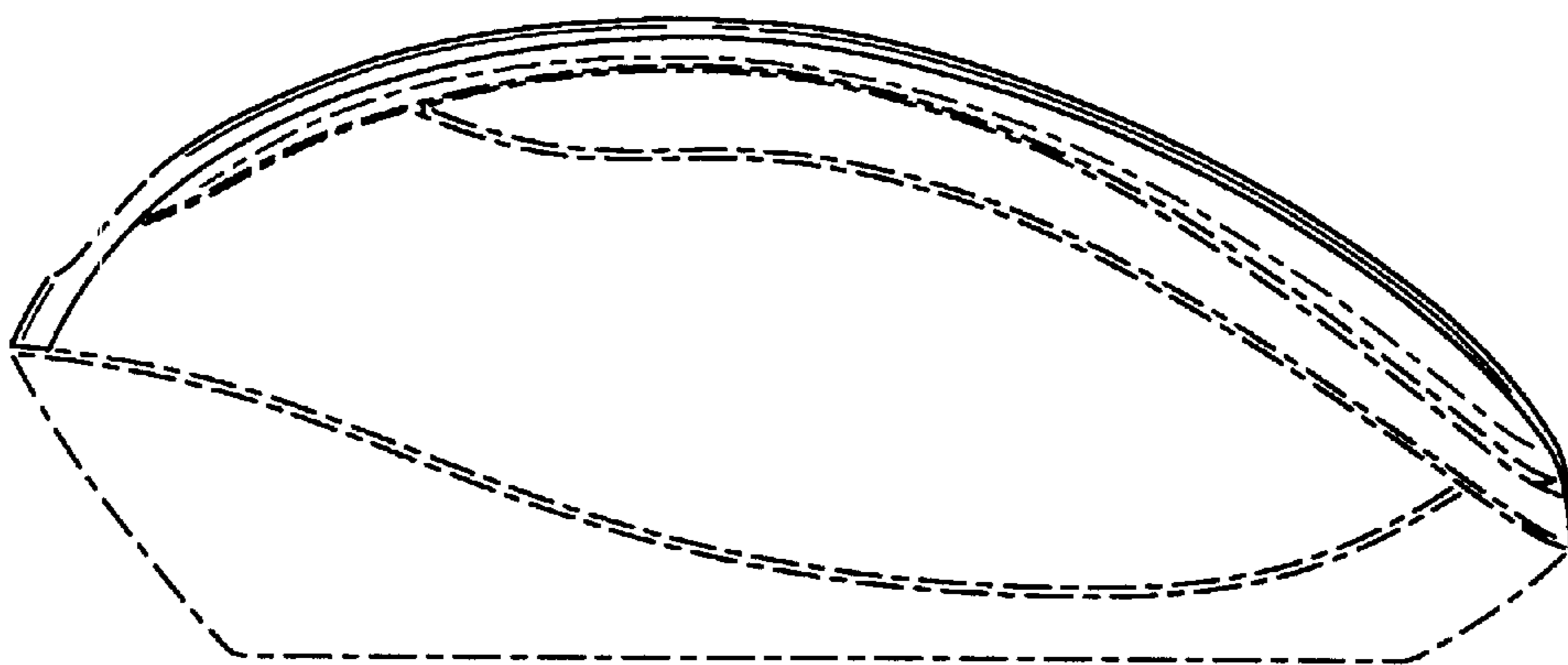


FIG. 10

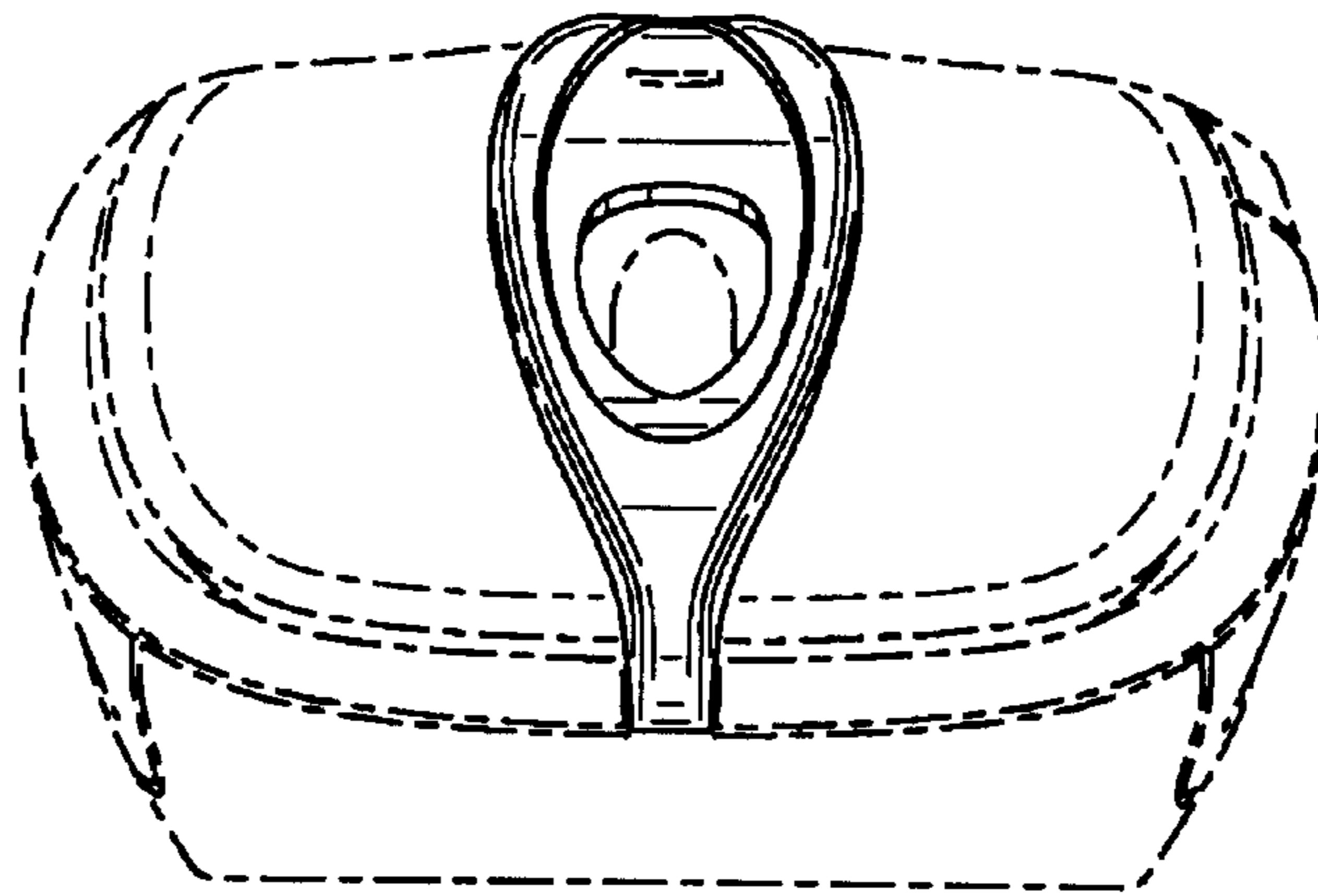


FIG. 11

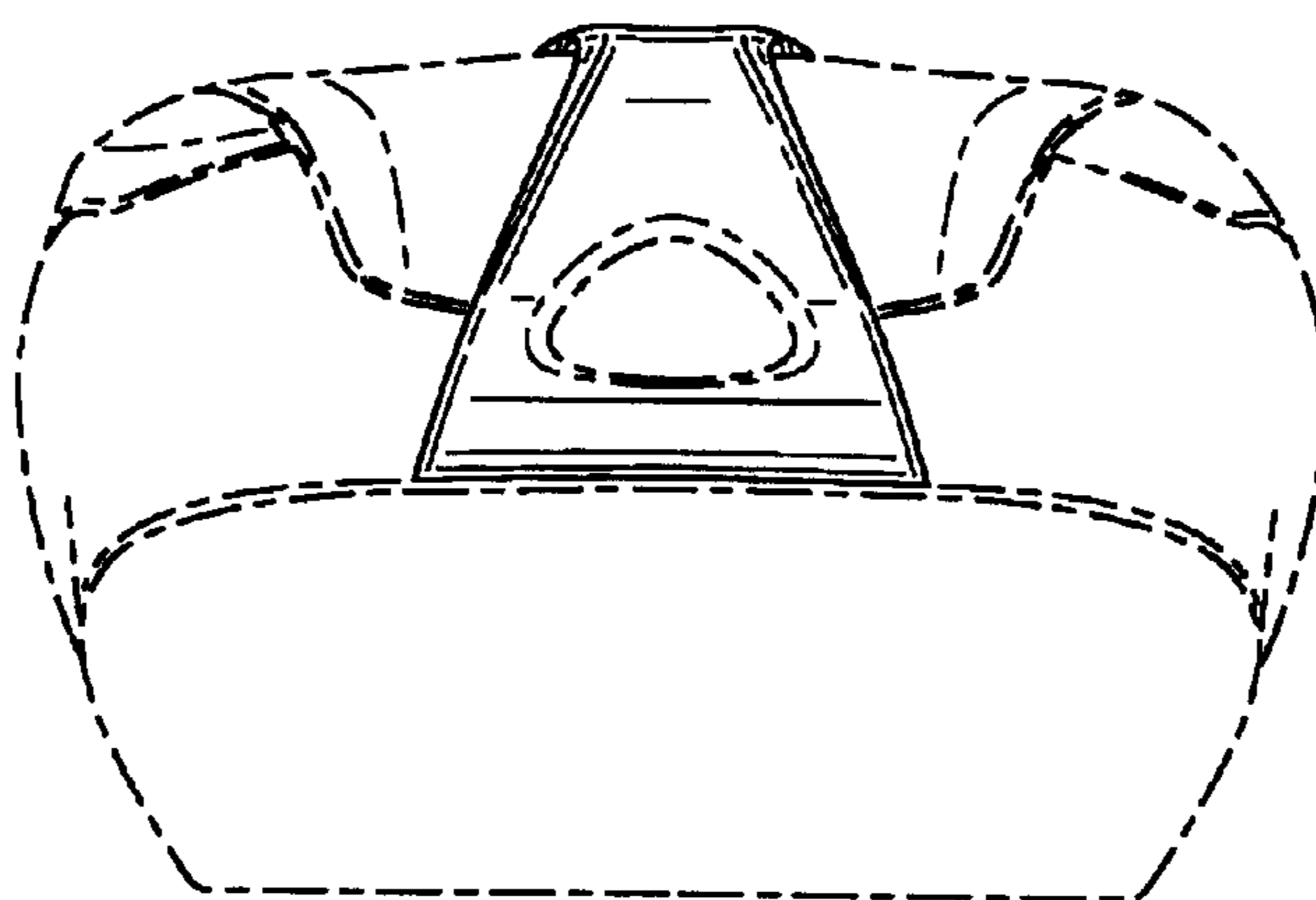


FIG. 12