



US00D540321S

(12) **United States Design Patent**
Hasegawa et al.

(10) **Patent No.:** **US D540,321 S**

(45) **Date of Patent:** **** Apr. 10, 2007**

(54) **COMPUTER DISPLAY**

(75) Inventors: **Kenichi Hasegawa**, Tokyo (JP); **Seiji Matsui**, Tokyo (JP); **Yoshihiro Takechi**, Tokyo (JP); **Naoto Fukasawa**, Tokyo (JP); **Kazushige Miyake**, Tokyo (JP)

(73) Assignee: **NEC Display Solutions, Ltd.**, Tokyo (JP)

(**) Term: **14 Years**

(21) Appl. No.: **29/245,825**

(22) Filed: **Dec. 28, 2005**

(51) **LOC (8) Cl.** **14-02**

(52) **U.S. Cl.** **D14/375**

(58) **Field of Classification Search** D14/371-375,
D14/125-129; 345/104, 156, 168, 173, 901-905;
348/180, 184, 325, 739; 341/12; 248/917-924;
349/1, 2, 11, 62

See application file for complete search history.

(56) **References Cited**

U.S. PATENT DOCUMENTS

D357,468 S	*	4/1995	Rodd	D14/375
D373,584 S	*	9/1996	Anand	D14/126
D439,225 S	*	3/2001	Kita	D14/126
D471,194 S	*	3/2003	Huang	D14/375
D475,049 S	*	5/2003	Duan	D14/375
D476,333 S	*	6/2003	Lee	D14/375
D488,139 S	*	4/2004	Takami et al.	D14/126

FOREIGN PATENT DOCUMENTS

JP 1123646 S 10/2001

* cited by examiner

Primary Examiner—Freda S. Nunn

(74) *Attorney, Agent, or Firm*—Darby & Darby

(57) **CLAIM**

The ornamental design for a computer display, as shown and described.

DESCRIPTION

FIG. 1 is a perspective view of a computer display.

FIG. 2 is a front elevation view thereof.

FIG. 3 is a rear elevation view thereof.

FIG. 4 is a top plan view thereof.

FIG. 5 is a bottom plan view thereof.

FIG. 6 is a right side elevation view thereof.

FIG. 7 is a left side elevation view thereof.

FIG. 8 is a longitudinal cross-sectional view of the central part of the front elevation view thereof, which omits the internal structure.

FIG. 9 is a front elevation view with the stand extended vertically.

FIG. 10 is a right side elevation view with the stand extended vertically; and,

FIG. 11 is a longitudinal cross-sectional view of the central part of the front elevation view with the stand extended vertically.

1 Claim, 11 Drawing Sheets

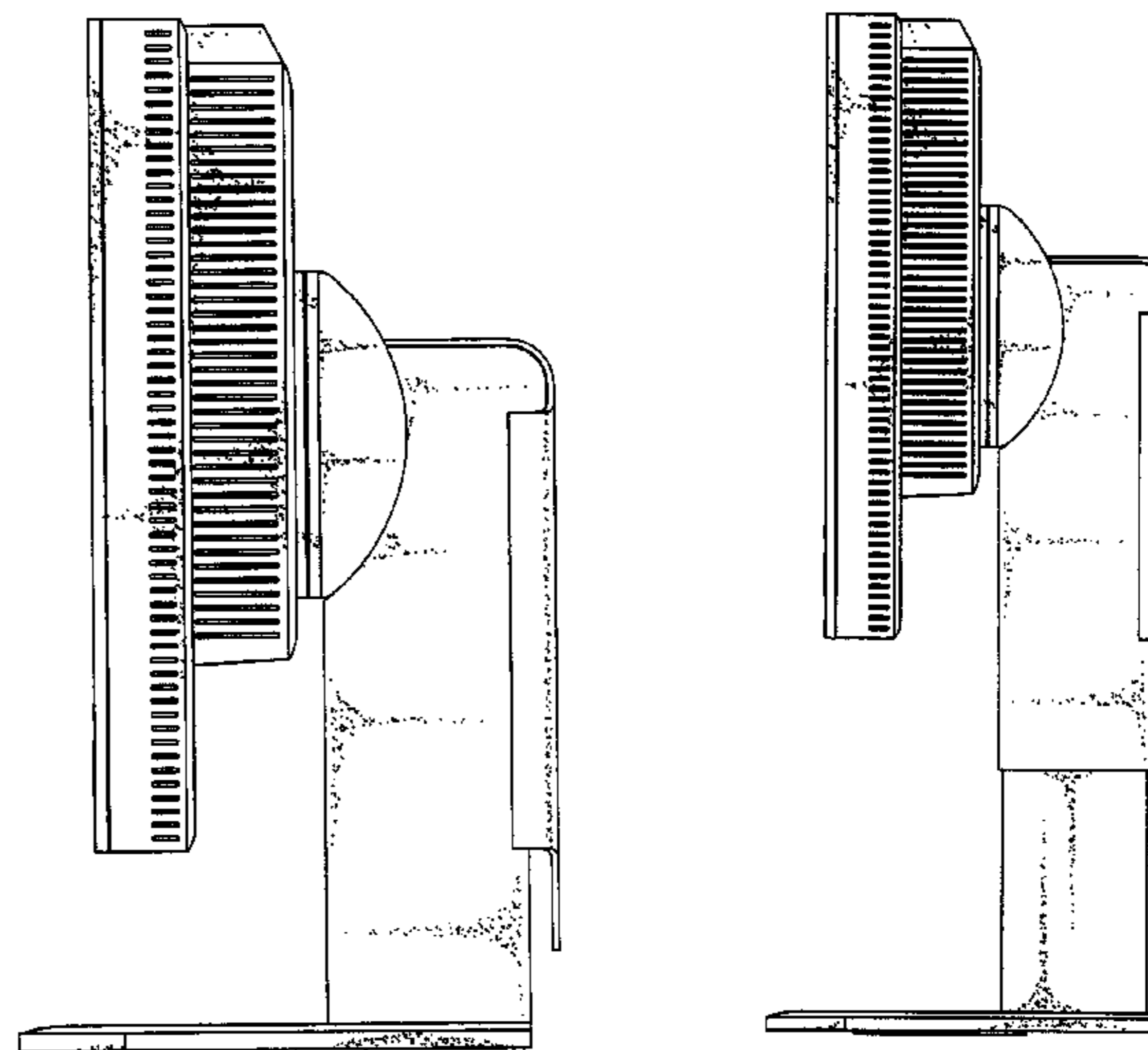
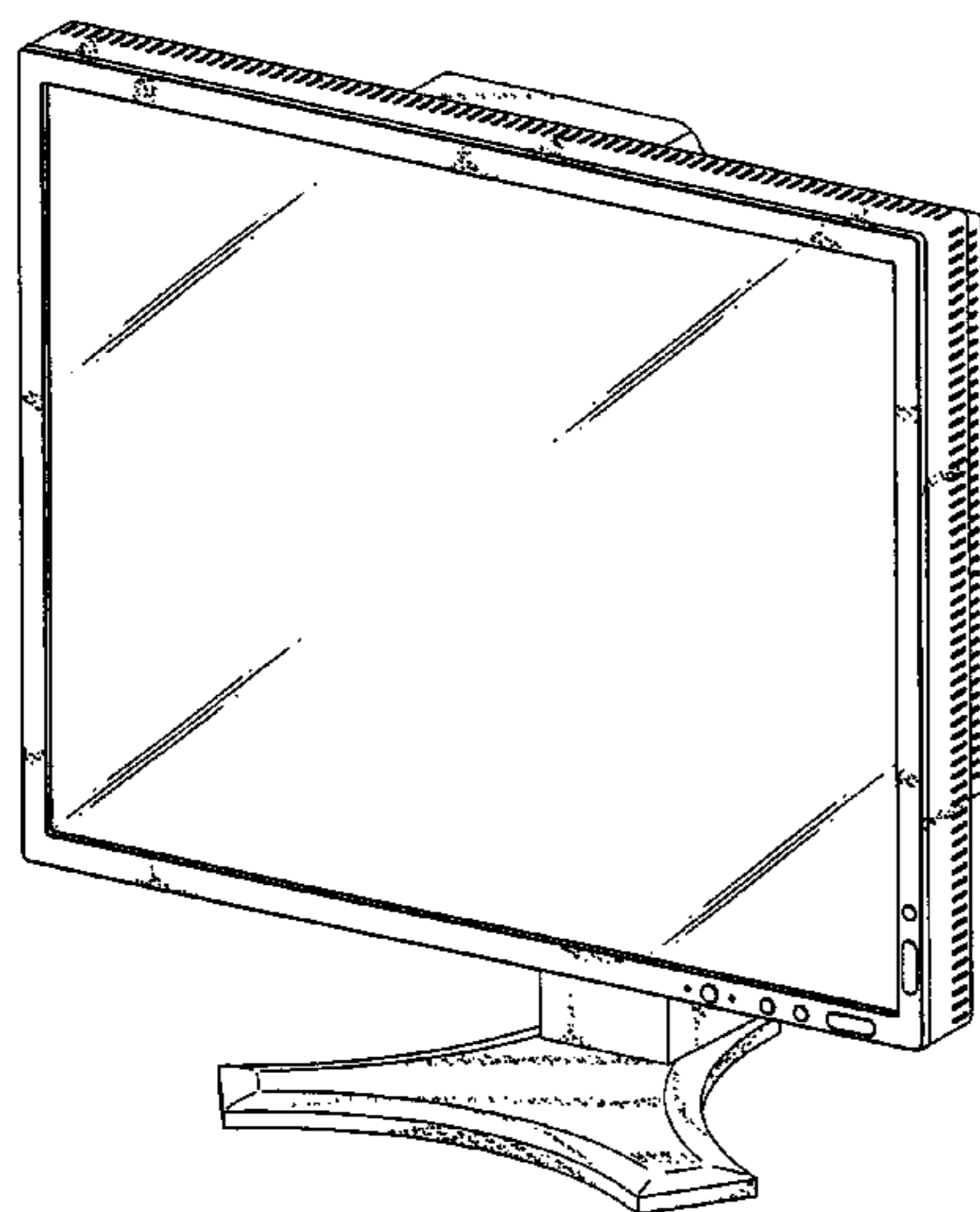


FIG. 1

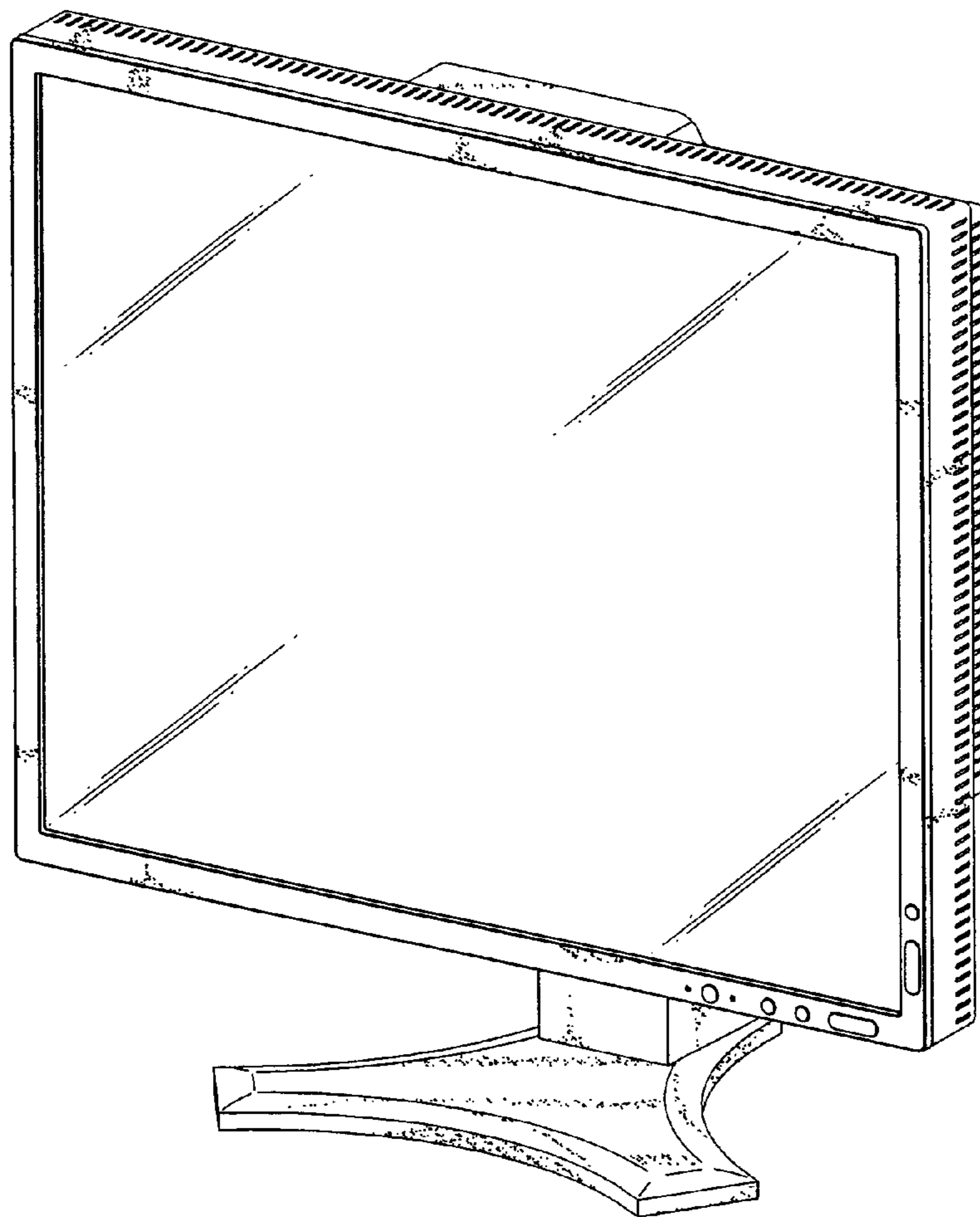


FIG. 2

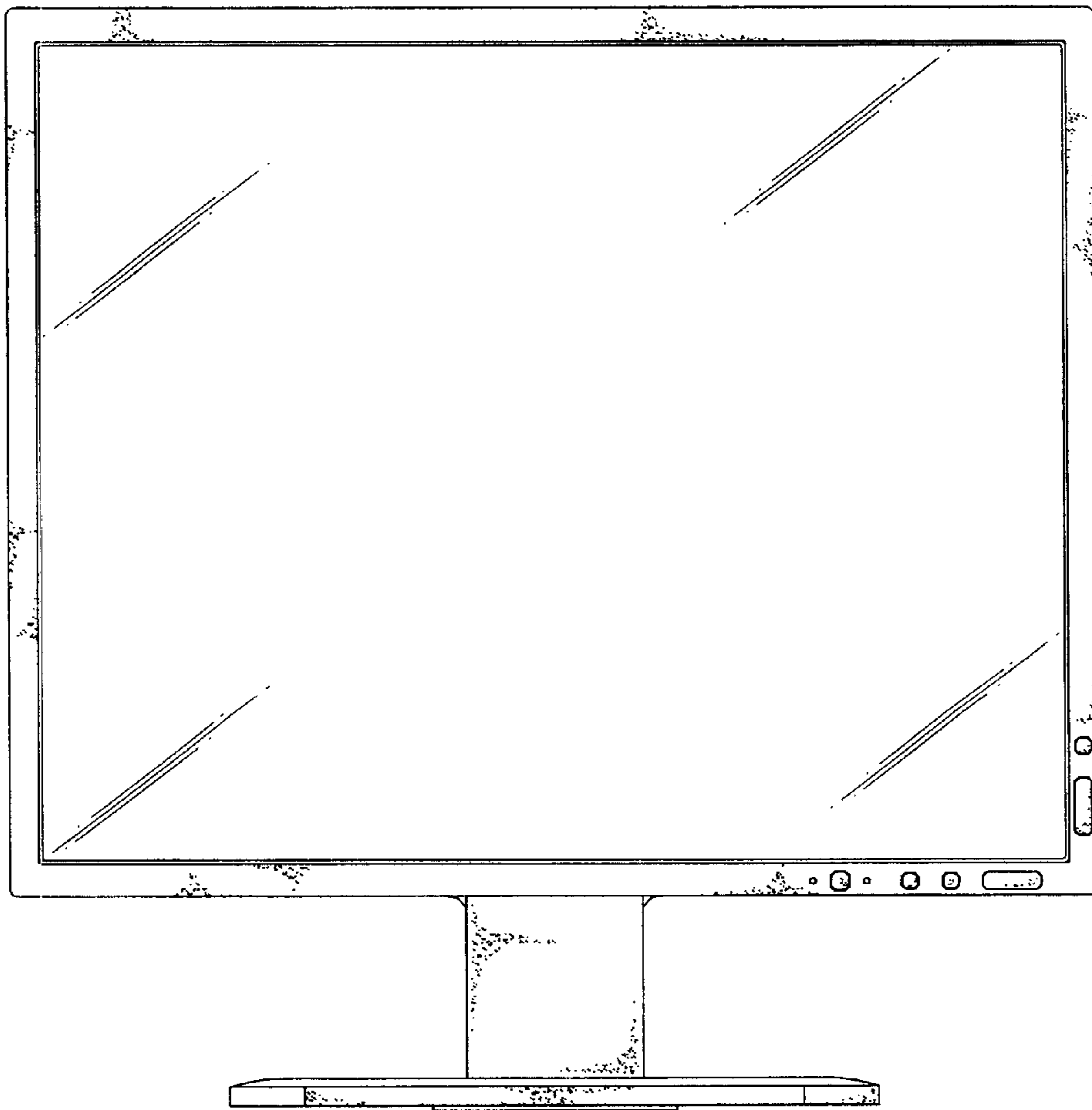


FIG. 3

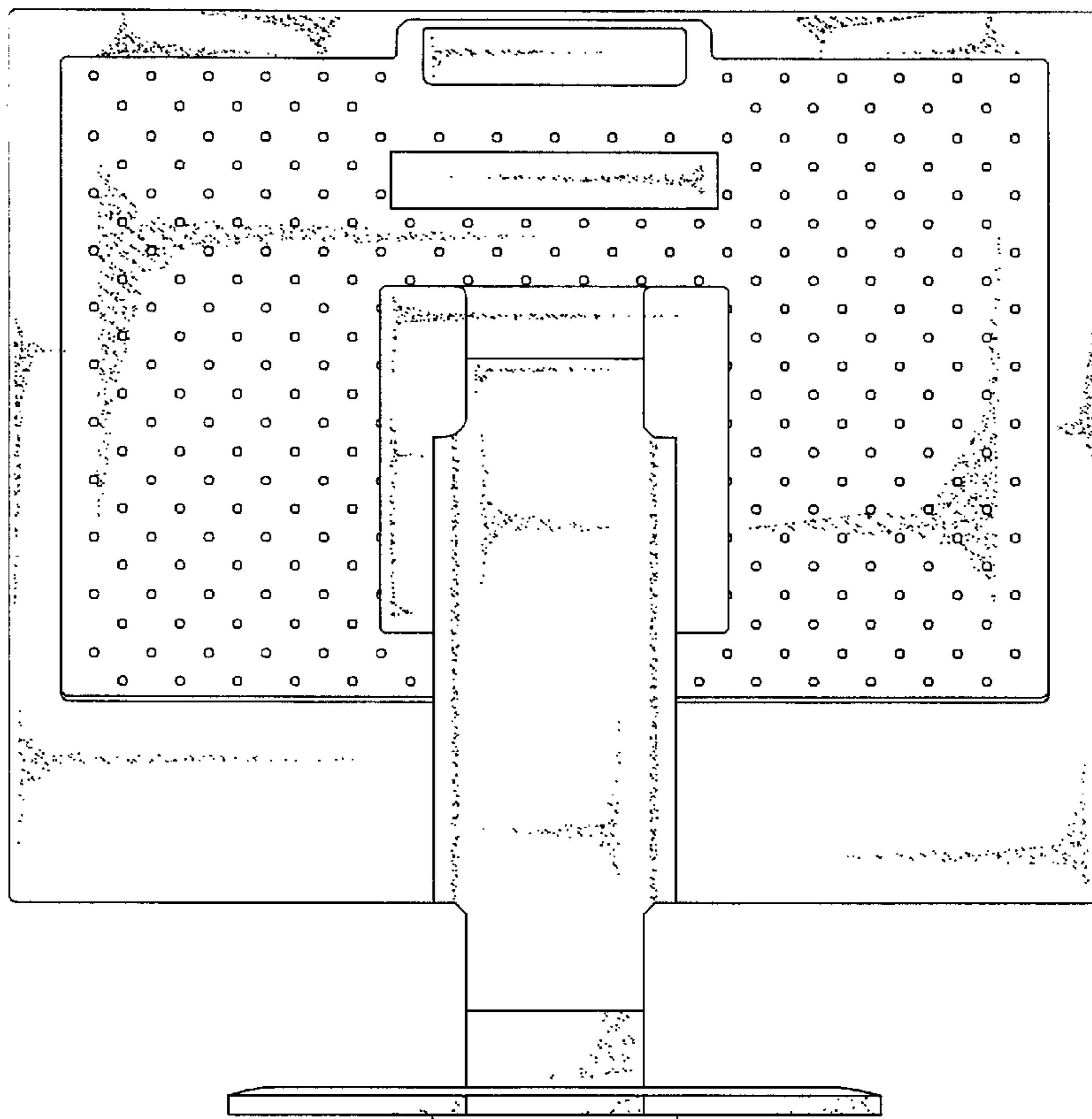


FIG. 4

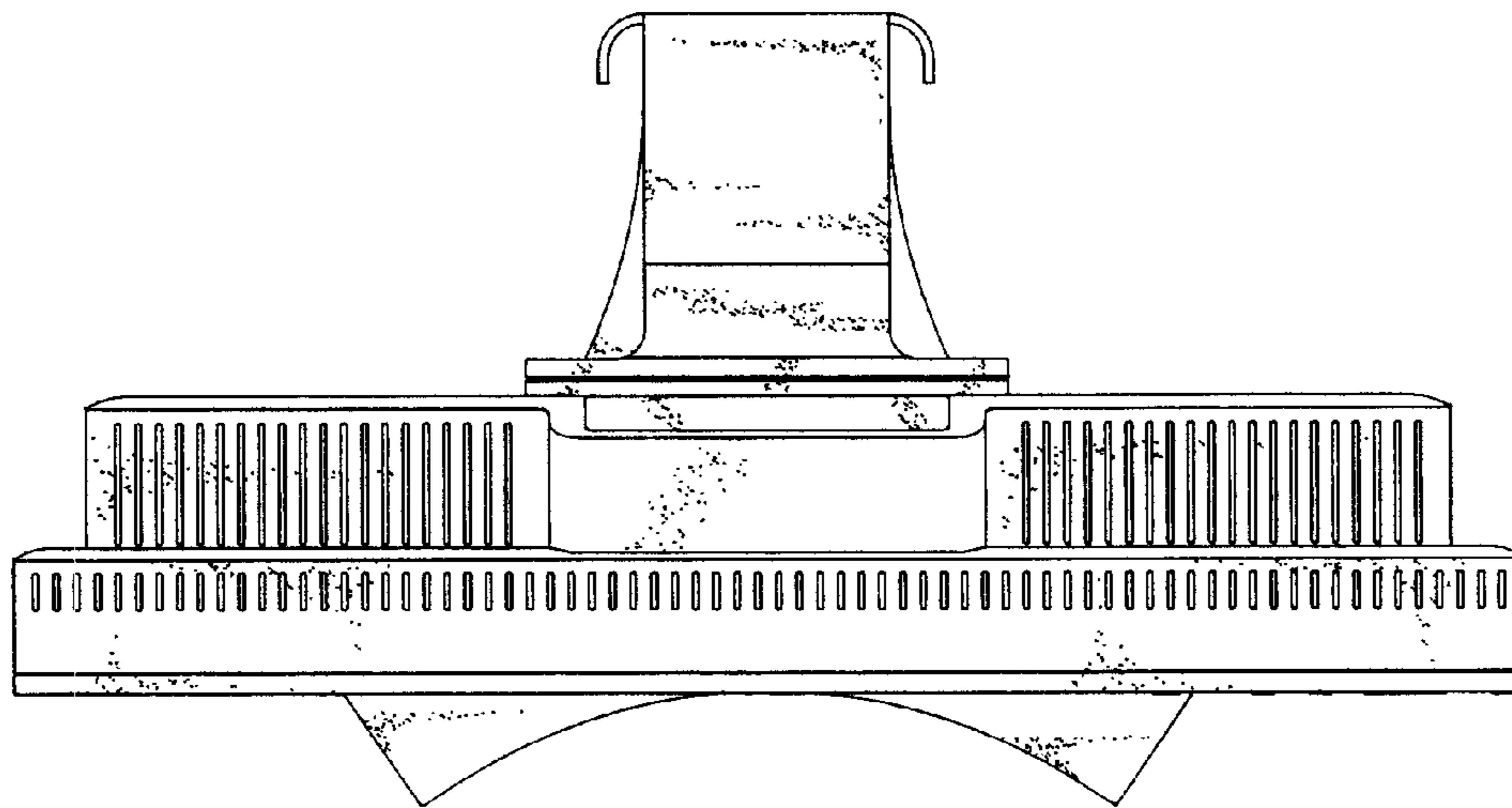


FIG. 5

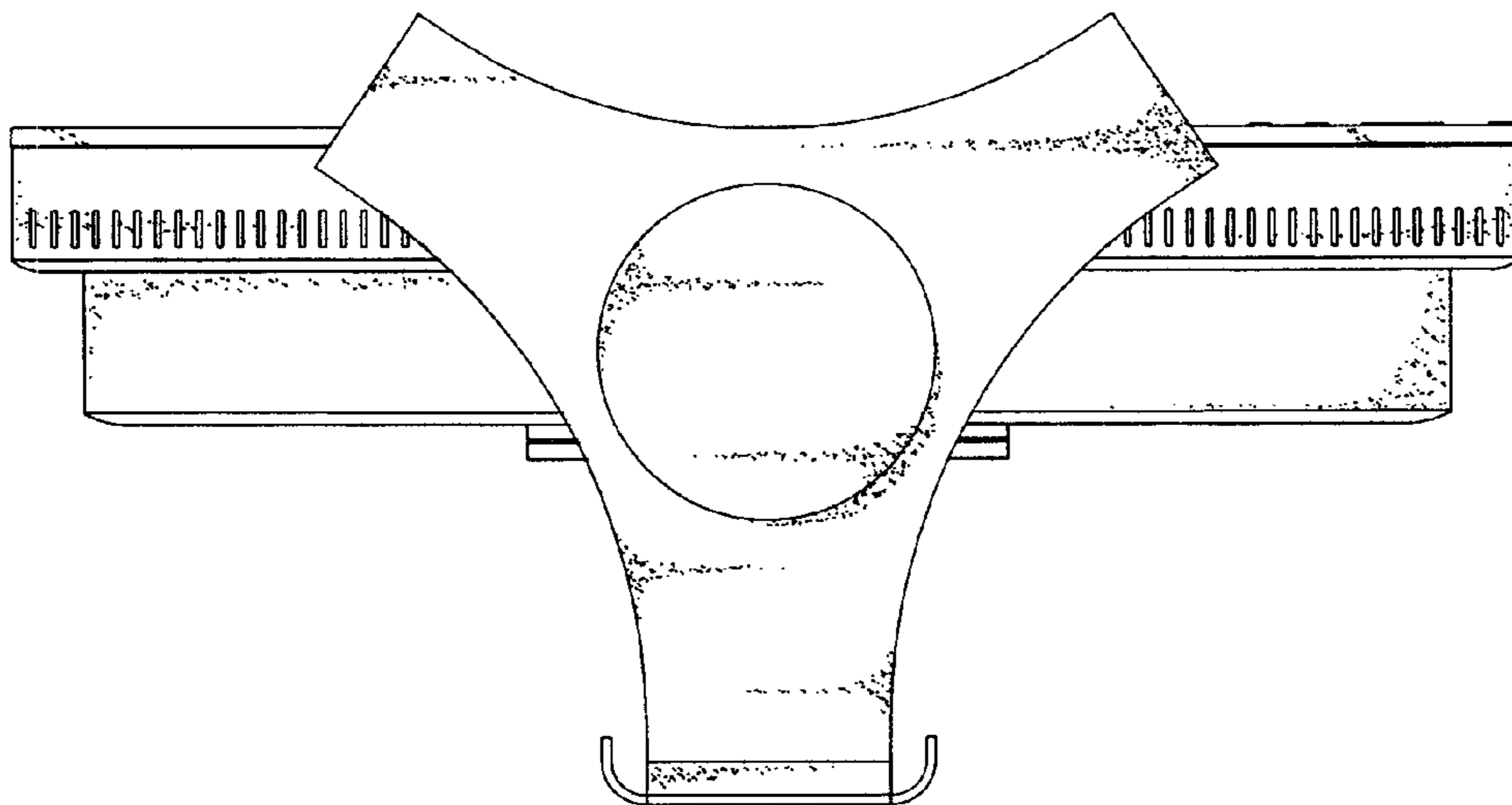


FIG. 6

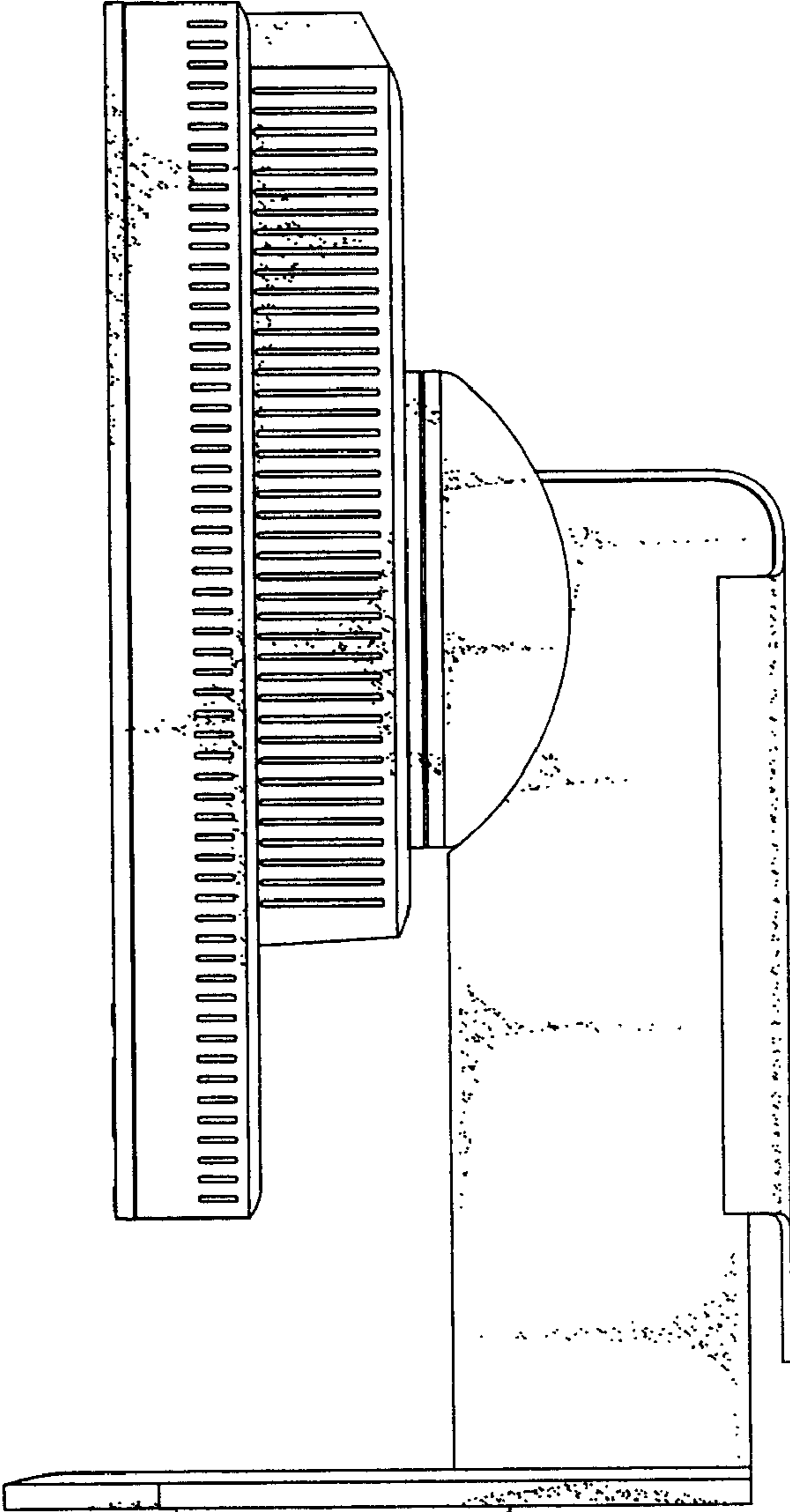


FIG. 7

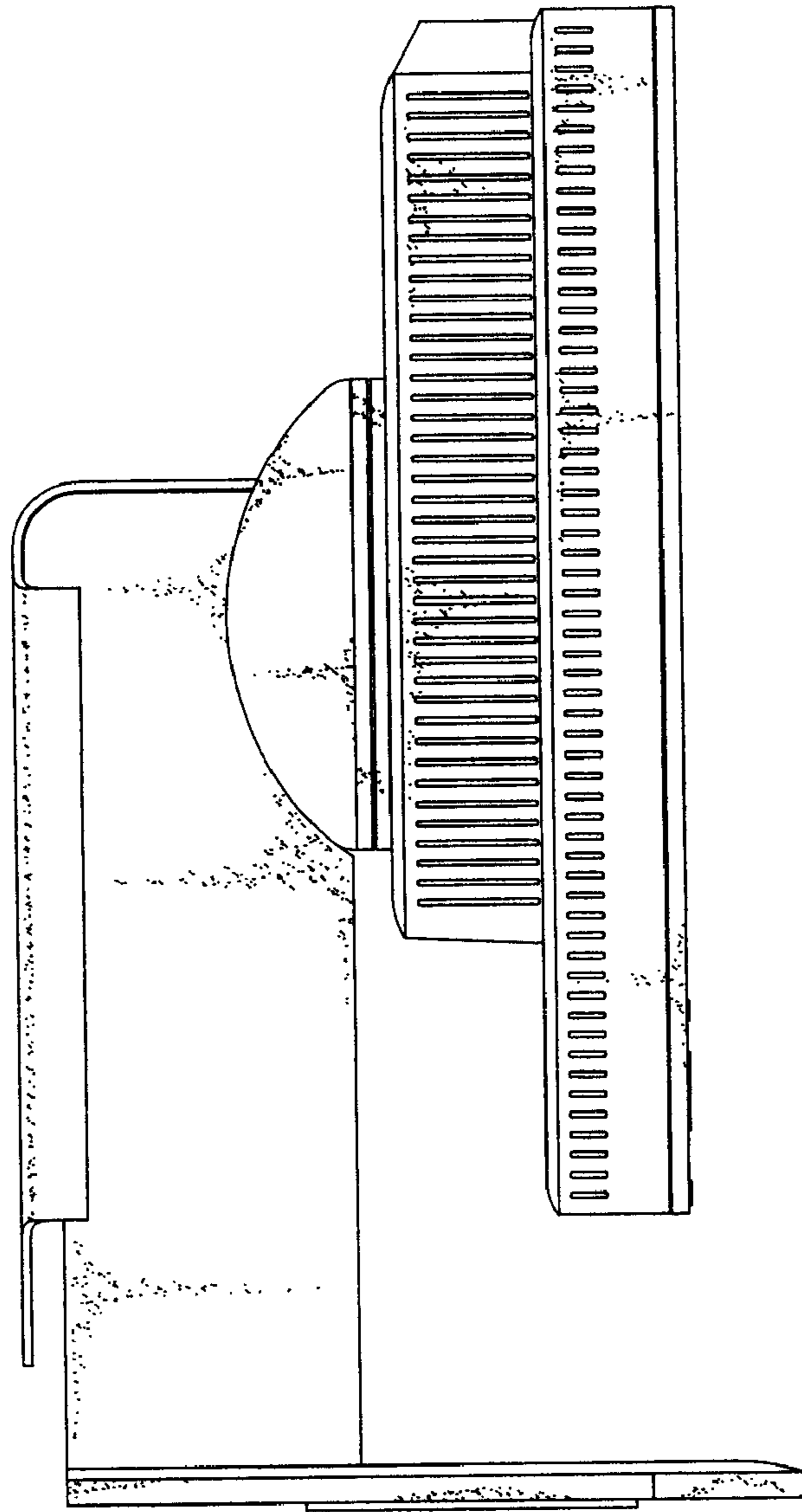


FIG. 8

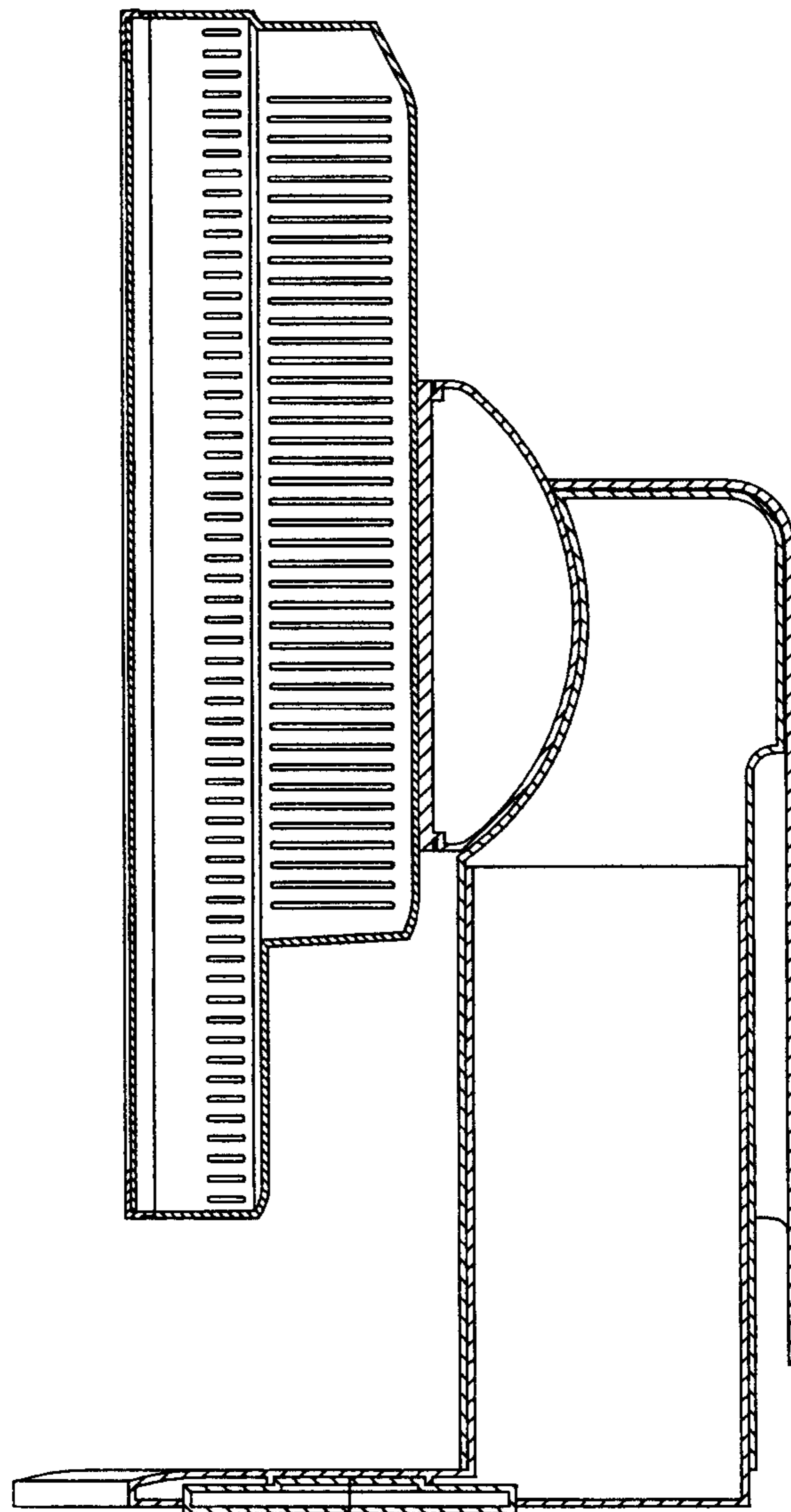


FIG. 9

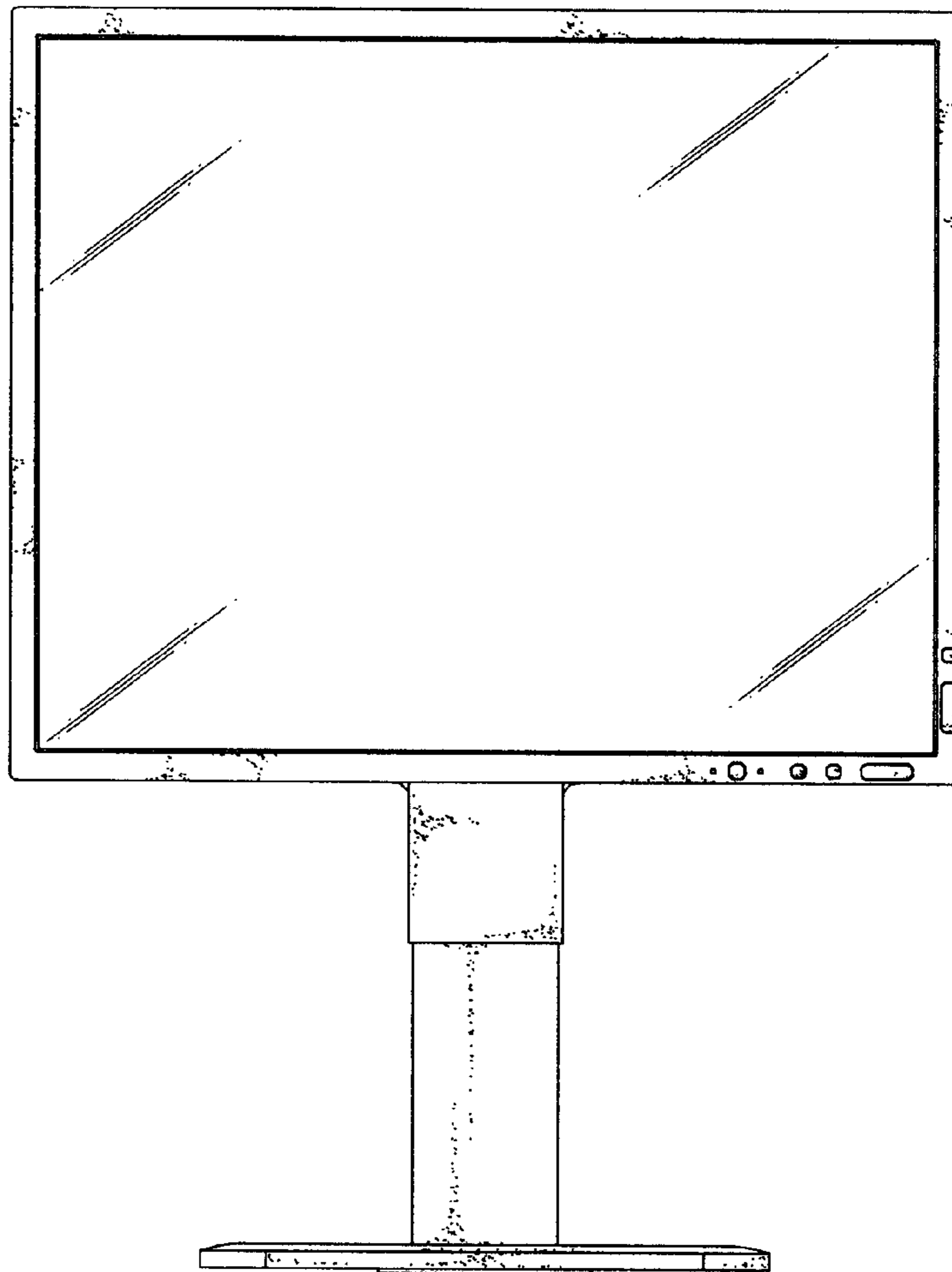


FIG. 10

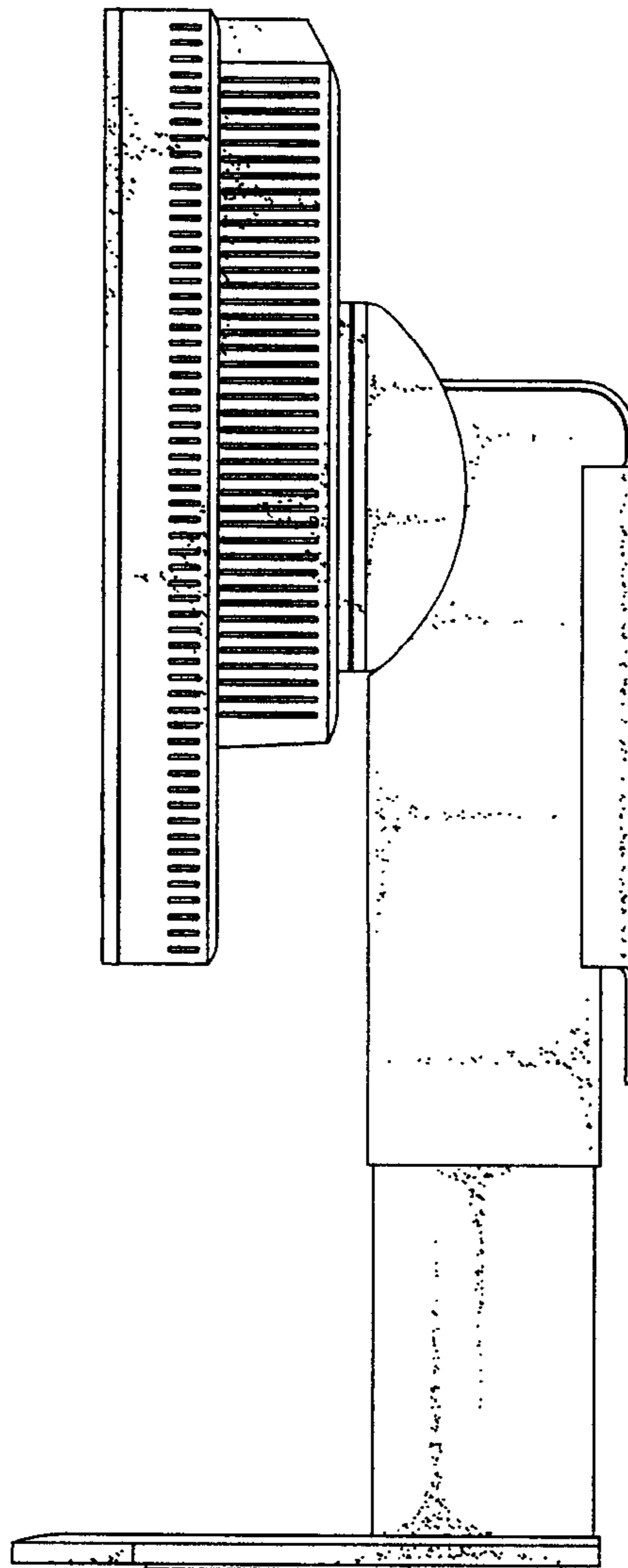


FIG. 11

