



US00D540318S

(12) **United States Design Patent**  
**Wang**

(10) **Patent No.:** **US D540,318 S**

(45) **Date of Patent:** **\*\* Apr. 10, 2007**

(54) **COMPUTER**

(75) Inventor: **Wu-Nan Wang**, Taipei Hsien (TW)

(73) Assignee: **Aopen, Inc.** (TW)

(\*\*) Term: **14 Years**

(21) Appl. No.: **29/260,255**

(22) Filed: **May 22, 2006**

(30) **Foreign Application Priority Data**

Apr. 3, 2006 (TW) ..... 95301667

(51) **LOC (8) Cl.** ..... **14-02**

(52) **U.S. Cl.** ..... **D14/300**

(58) **Field of Classification Search** ..... D14/300-302,  
D14/308, 349, 310-314, 348, 351-366, 125;  
D13/162, 163, 184, 199; 312/223.1-223.3;  
360/99.01-99.12; 361/690-696; 369/34.01,  
369/36.01, 77.2; 720/613

See application file for complete search history.

(56) **References Cited**

**U.S. PATENT DOCUMENTS**

5,105,414 A \* 4/1992 Funabashi et al. .... 720/613

D445,097 S \* 7/2001 Jensen et al. .... D14/125

D445,789 S \* 7/2001 Zmehrir ..... D14/356  
D495,330 S \* 8/2004 Kanatani et al. .... D14/356  
2002/0181380 A1 \* 12/2002 Wada et al. .... 369/77.2

**FOREIGN PATENT DOCUMENTS**

DE M9208801 \* 10/1993

\* cited by examiner

*Primary Examiner*—Freda S. Nunn

(74) *Attorney, Agent, or Firm*—Caesar, Rivise, Bernstein,  
Cohen & Pokotilow, Ltd.

(57) **CLAIM**

The ornamental design for a computer, as shown and described.

**DESCRIPTION**

FIG. 1 is an isometric view of the computer showing my new design;

FIG. 2 is a front elevational view thereof;

FIG. 3 is a rear elevational view thereof;

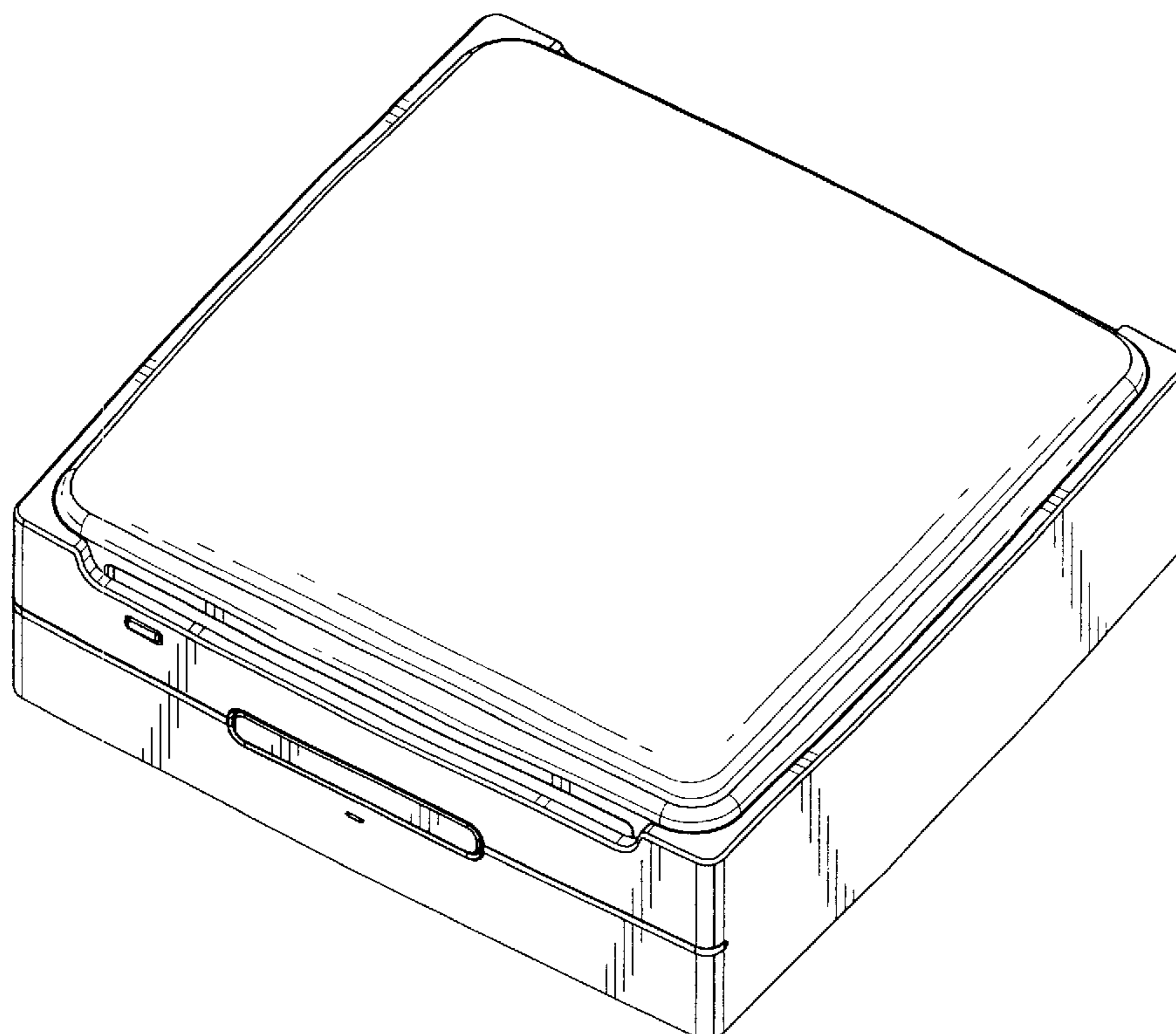
FIG. 4 is a left side elevational view thereof;

FIG. 5 is a right side elevational view thereof;

FIG. 6 is a top plan view thereof; and,

FIG. 7 is a bottom plan view thereof.

**1 Claim, 3 Drawing Sheets**



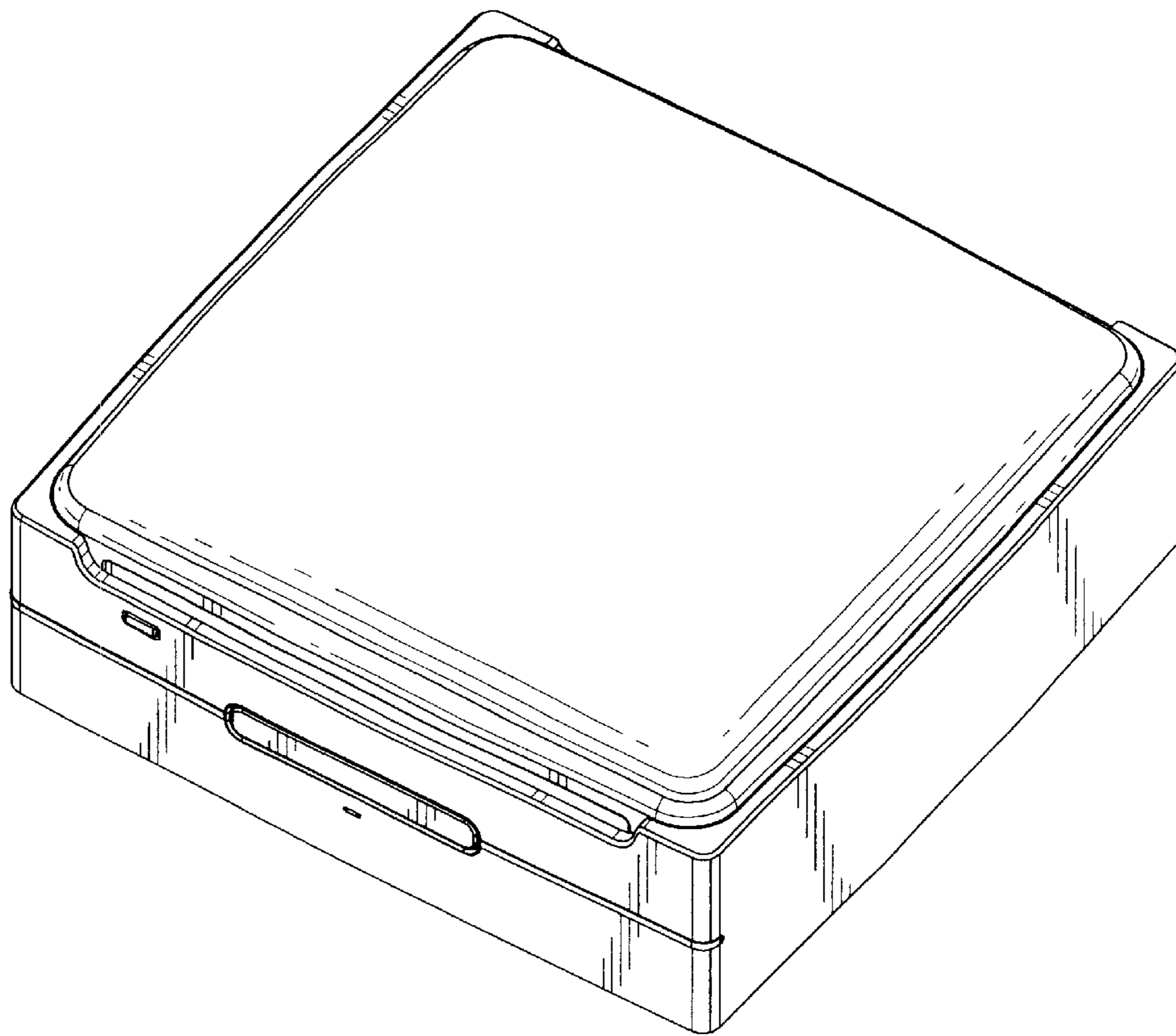


FIG. 1

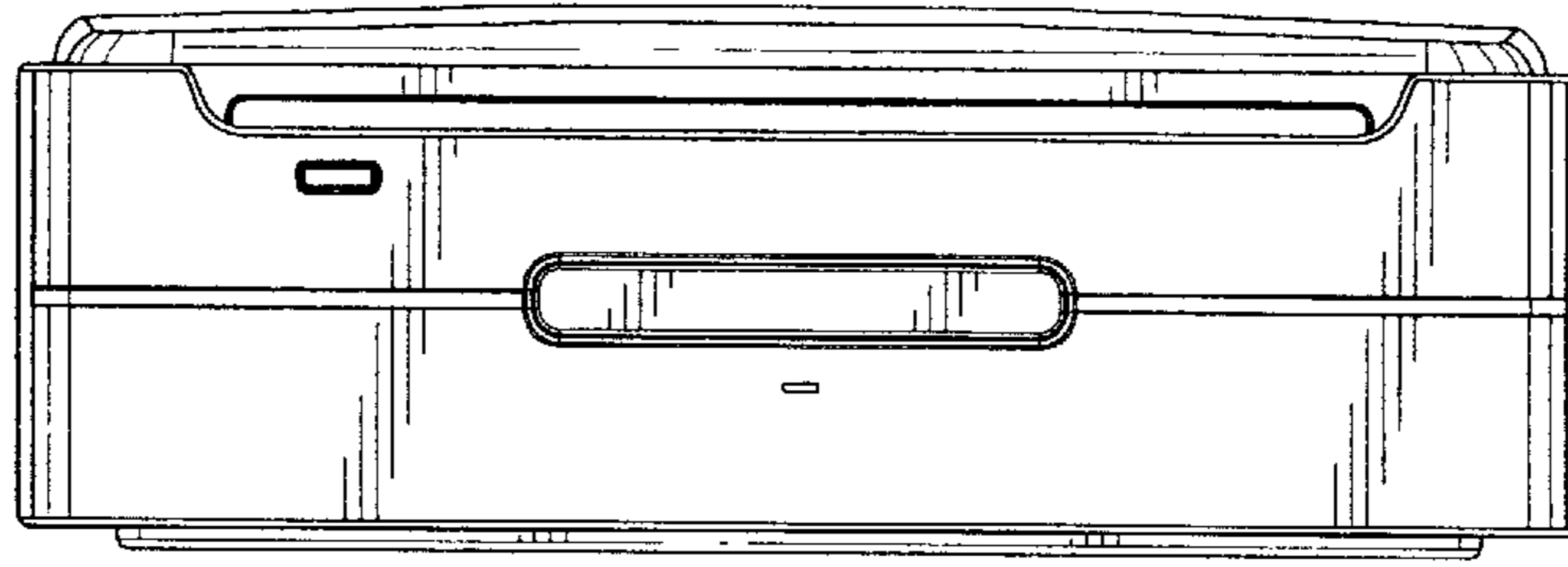


FIG. 2

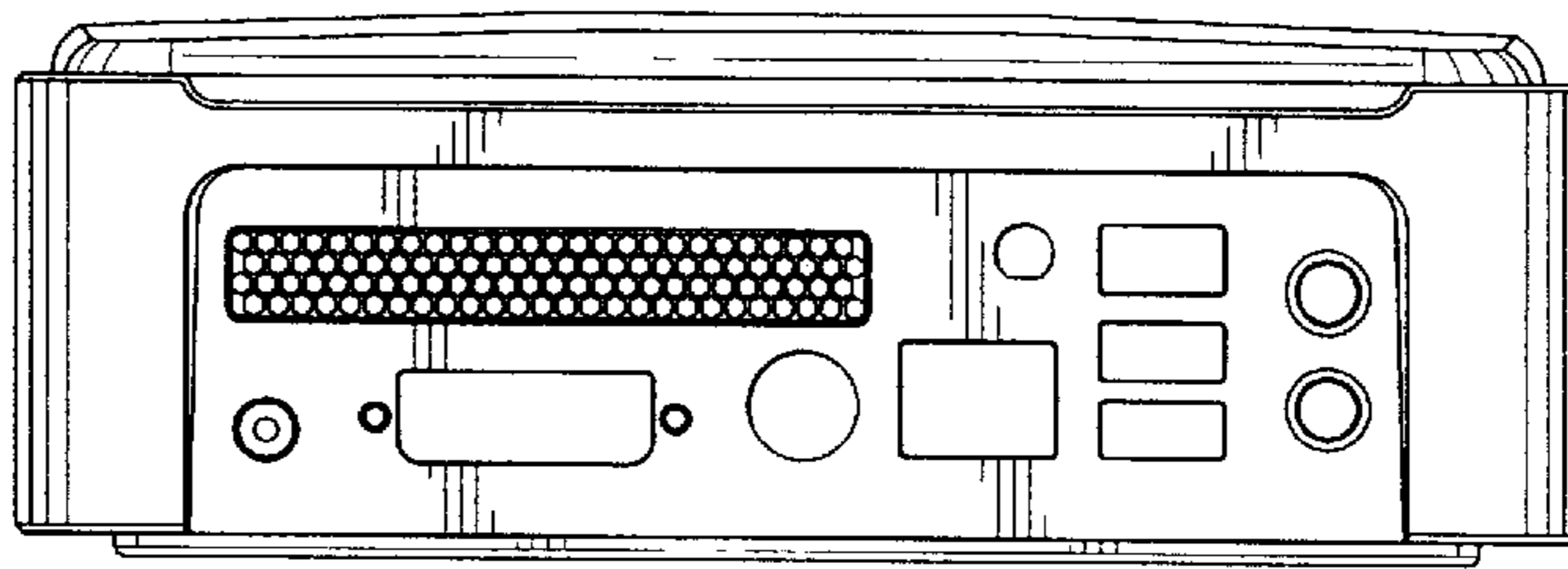


FIG. 3

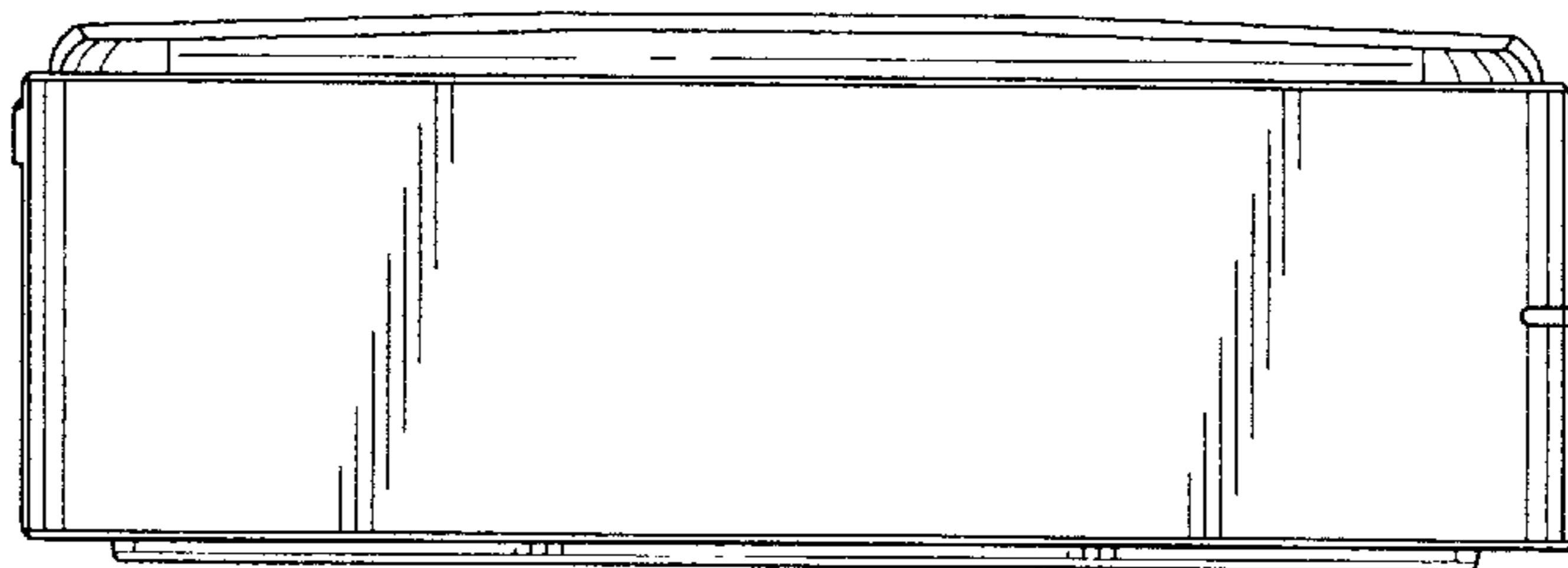


FIG. 4

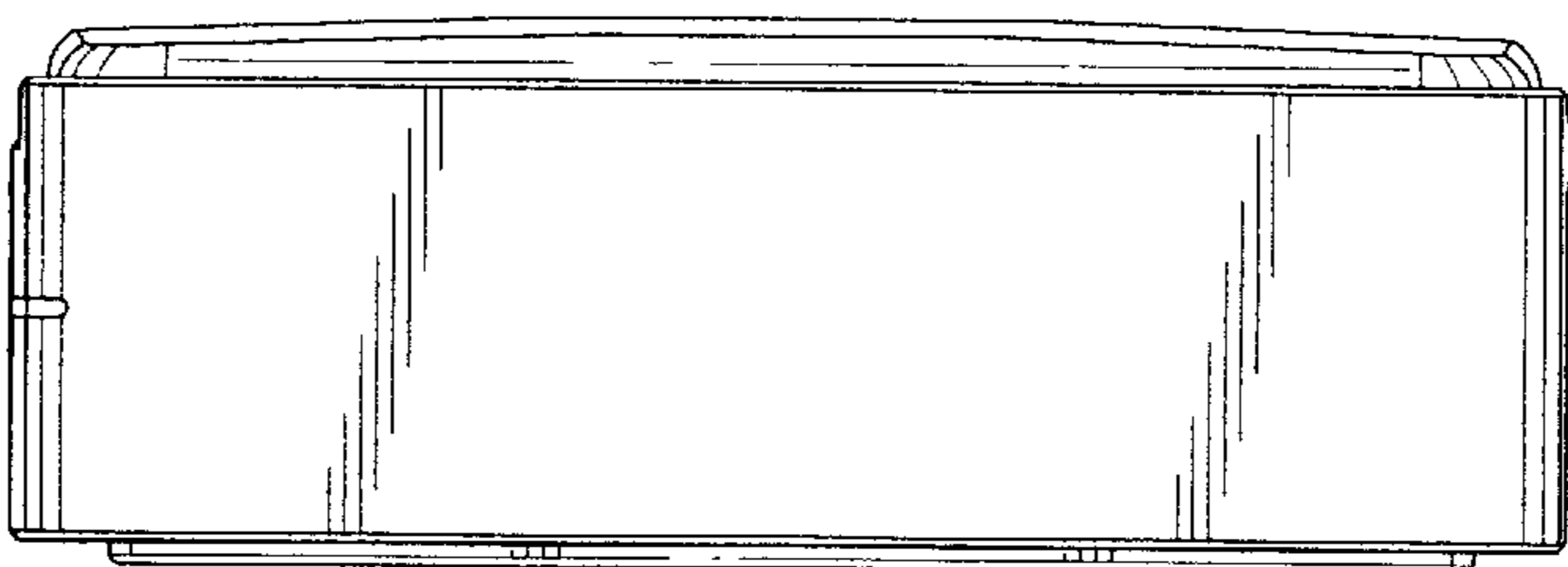


FIG. 5

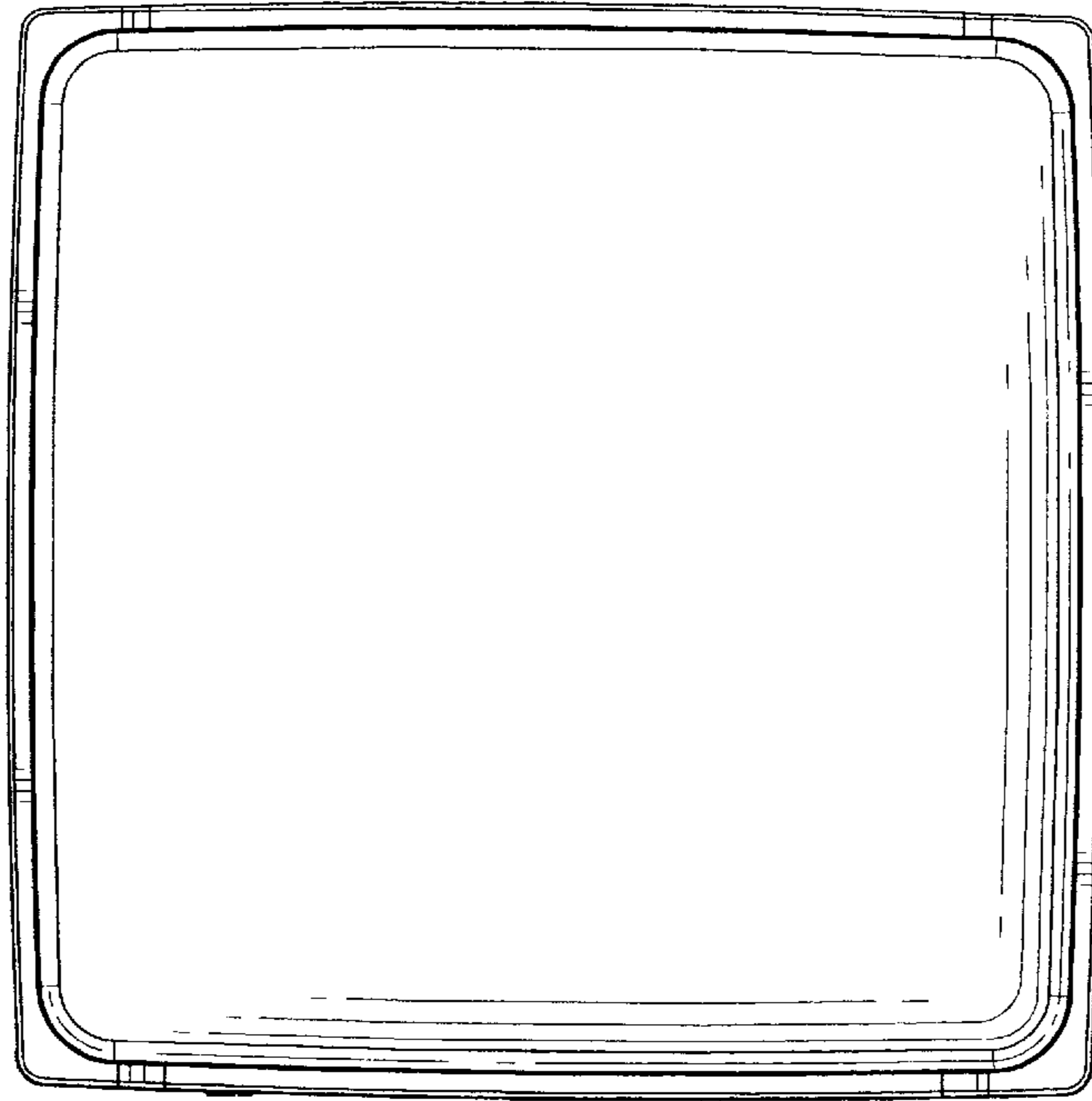


FIG. 6

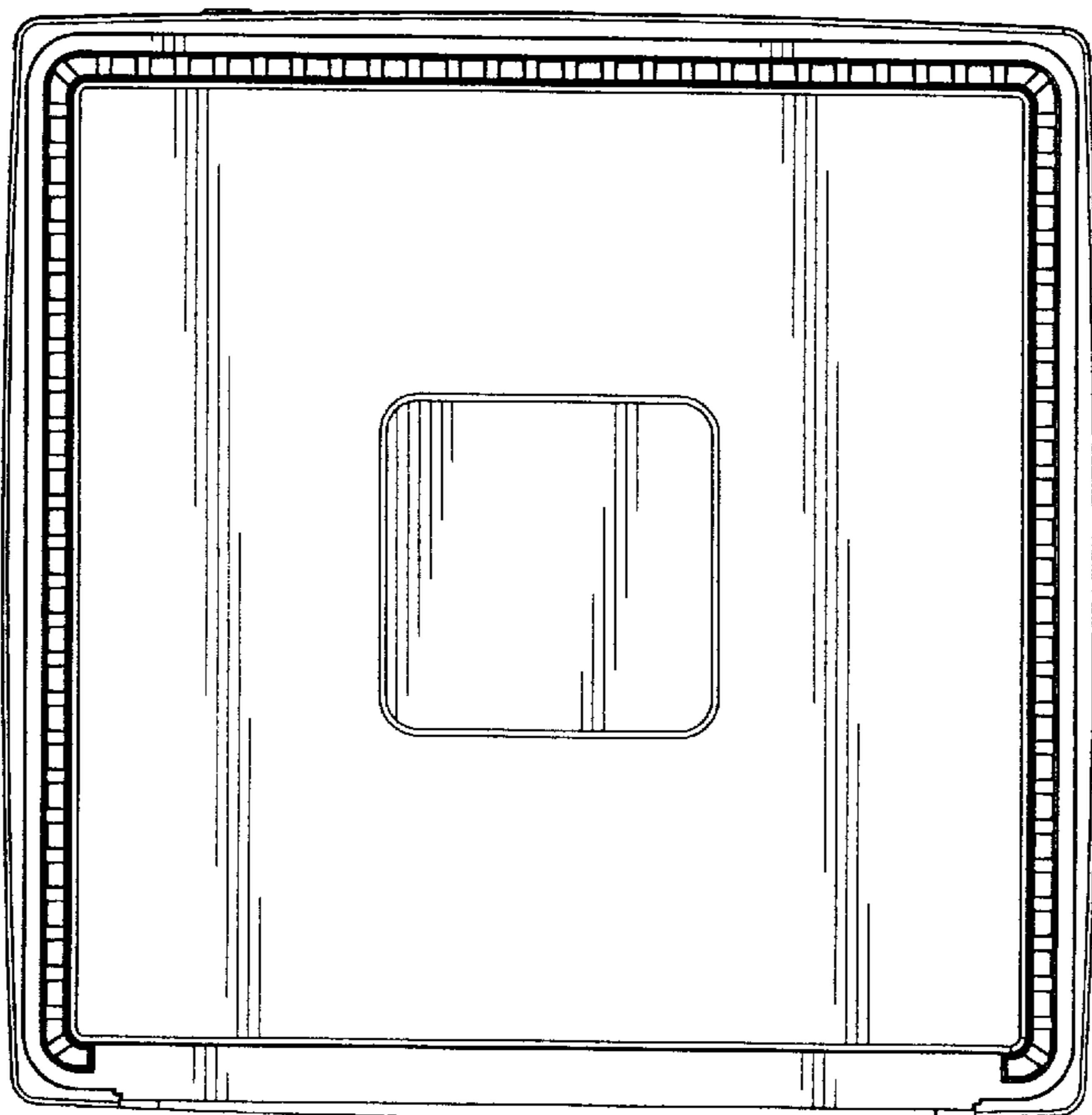


FIG. 7