

US00D540314S

(12) **United States Design Patent**
Allen et al.

(10) **Patent No.:** **US D540,314 S**
(45) **Date of Patent:** **** Apr. 10, 2007**

(54) **ANTENNA HOUSING**

(75) Inventors: **Steve Allen**, Ottawa (CA); **Jean-Pierre Burdett**, Ottawa (CA); **Diane Corrigan**, Ottawa (CA); **Scott Gibson**, Ottawa (CA); **Miles Hammond**, Ottawa (CA); **Colin Kellett**, Ramsbury (CA); **Greg Larocque**, Stittsville (CA); **Mike Roper**, Ottawa (CA); **Paul Simpson**, Lenark (CA); **Greg Smith**, Nepean (CA); **Shane Young**, Nepean (CA)

(73) Assignee: **Spotwave Wireless Canada Inc.**, Ottawa, Ontario (CA)

(**) Term: **14 Years**

(21) Appl. No.: **29/227,216**

(22) Filed: **Apr. 8, 2005**

(51) **LOC (8) Cl.** **14-03**

(52) **U.S. Cl.** **D14/230**

(58) **Field of Classification Search** D14/137, D14/138, 230-238, 299, 358; D12/42, 43; 343/700 R-705, 871-908, 795, 840, 711-713, 343/819, 846; 455/90.2, 90.3, 91, 128, 269, 455/344, 347, 562.1; D13/184

See application file for complete search history.

(56) **References Cited**

U.S. PATENT DOCUMENTS

5,548,643 A * 8/1996 Dalgleish et al. 379/429
D381,647 S * 7/1997 Terng D14/358

D392,644 S * 3/1998 McGugan D14/240
D429,238 S * 8/2000 Kolinen D14/240
D470,852 S * 2/2003 Kim D14/439
D484,120 S * 12/2003 Yin et al. D14/240
D485,551 S * 1/2004 Mikkola et al. D14/240

* cited by examiner

Primary Examiner—Robert A. Delehanty
Assistant Examiner—John Windmuller
(74) *Attorney, Agent, or Firm*—Kent Daniels; Ogilvy Renault LLP

(57) **CLAIM**

The ornamental design of an antenna housing, as shown and described.

DESCRIPTION

FIG. 1 is a top perspective view of an antenna housing showing our new design;
FIG. 2 is a bottom perspective view thereof;
FIG. 3 is a left side elevational view thereof, the right side elevational view being a mirror image thereof;
FIG. 4 is a top plan view thereof;
FIG. 5 is a front elevational view thereof at an enlarged scale;
FIG. 6 is a rear elevational view thereof at an enlarged scale; and,
FIG. 7 is a bottom plan view view thereof.
The design consists of the features of shape and configuration of the antenna housing as shown in the attached drawings.

1 Claim, 7 Drawing Sheets



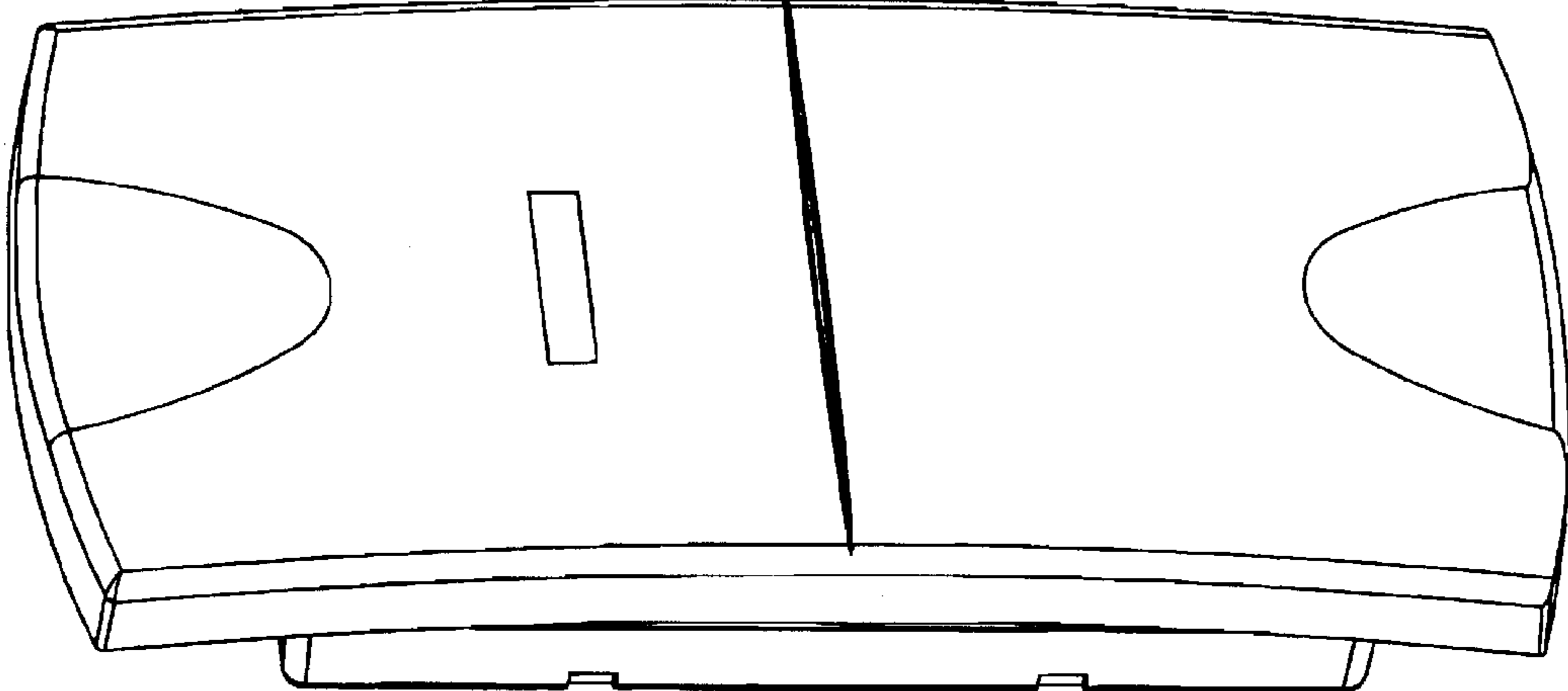


FIGURE 1

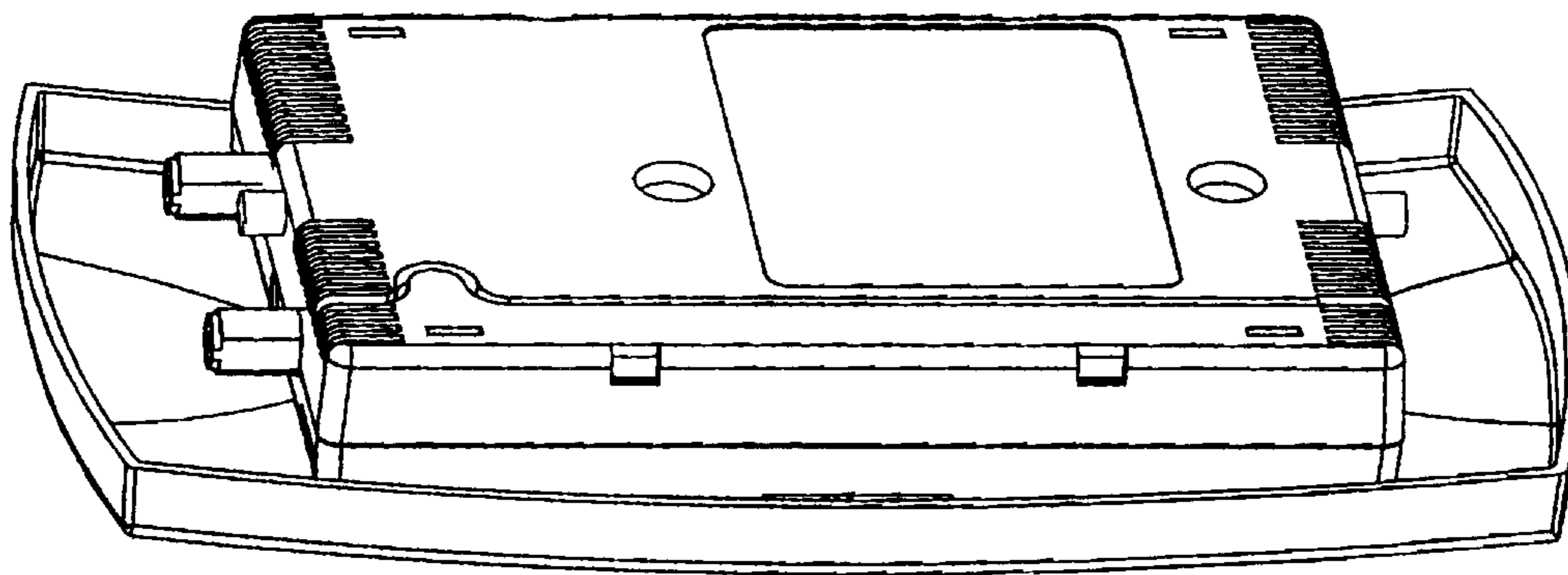


FIGURE 2

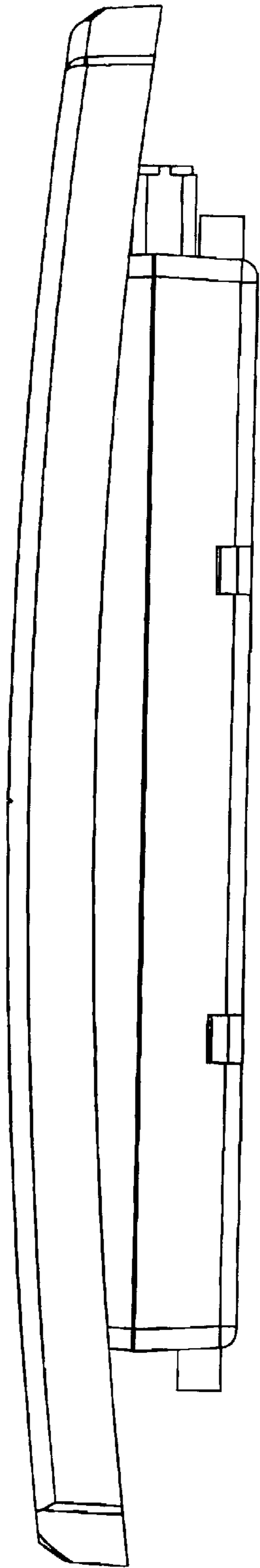


FIGURE 3

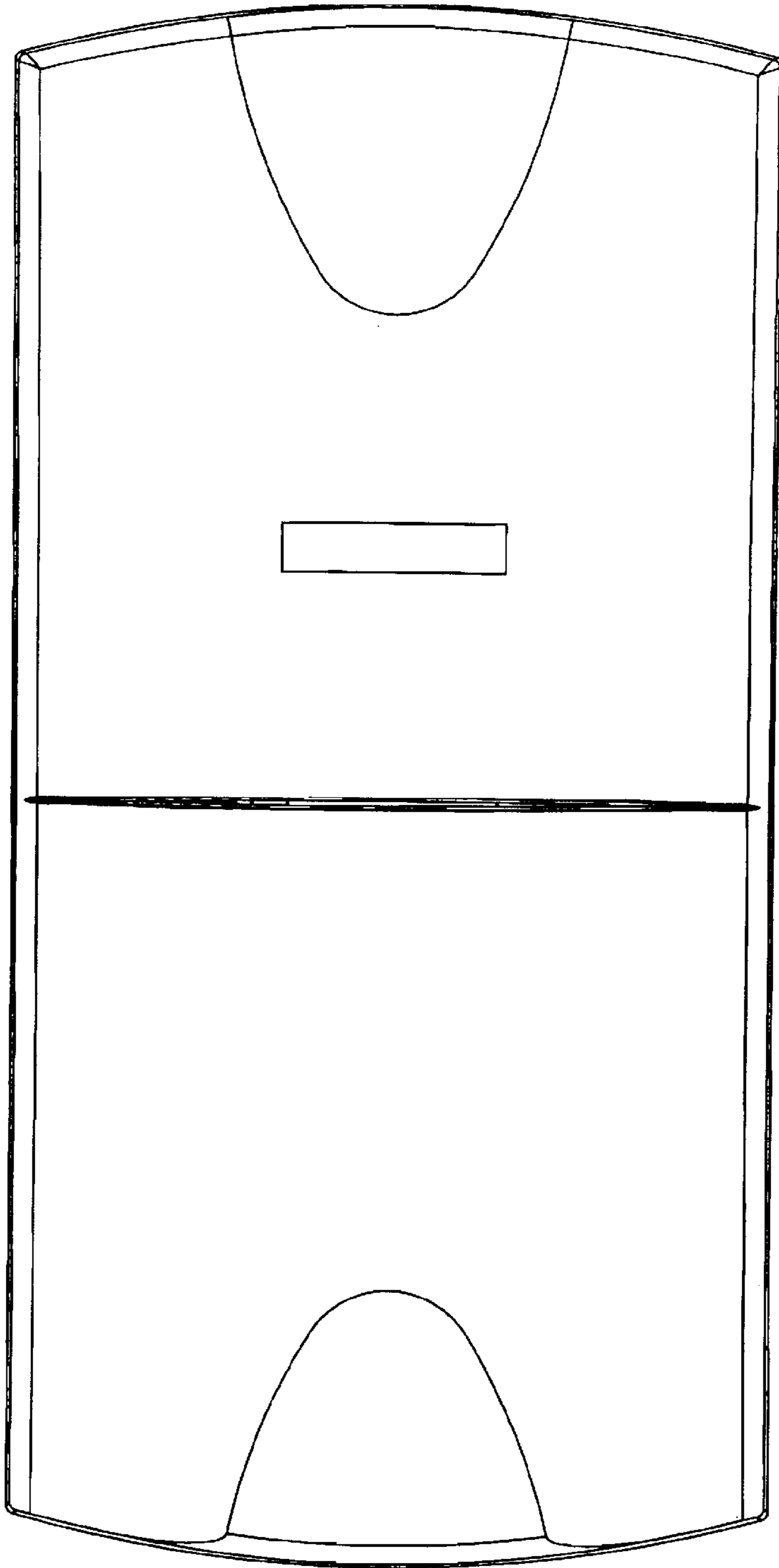


FIGURE 4

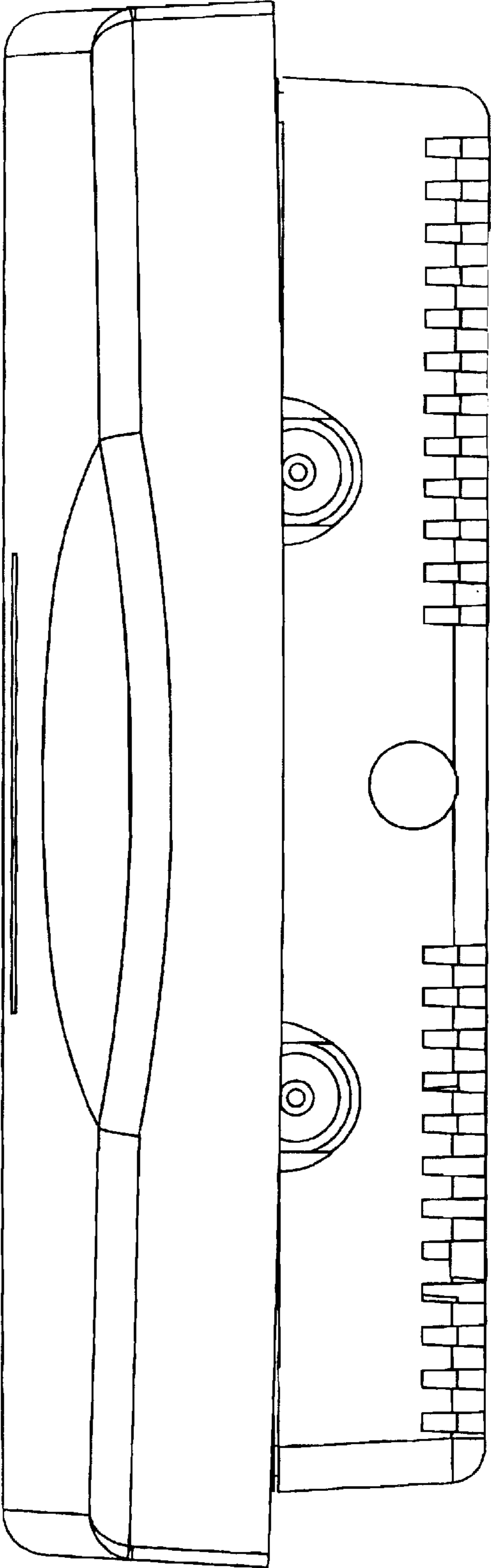


FIGURE 5

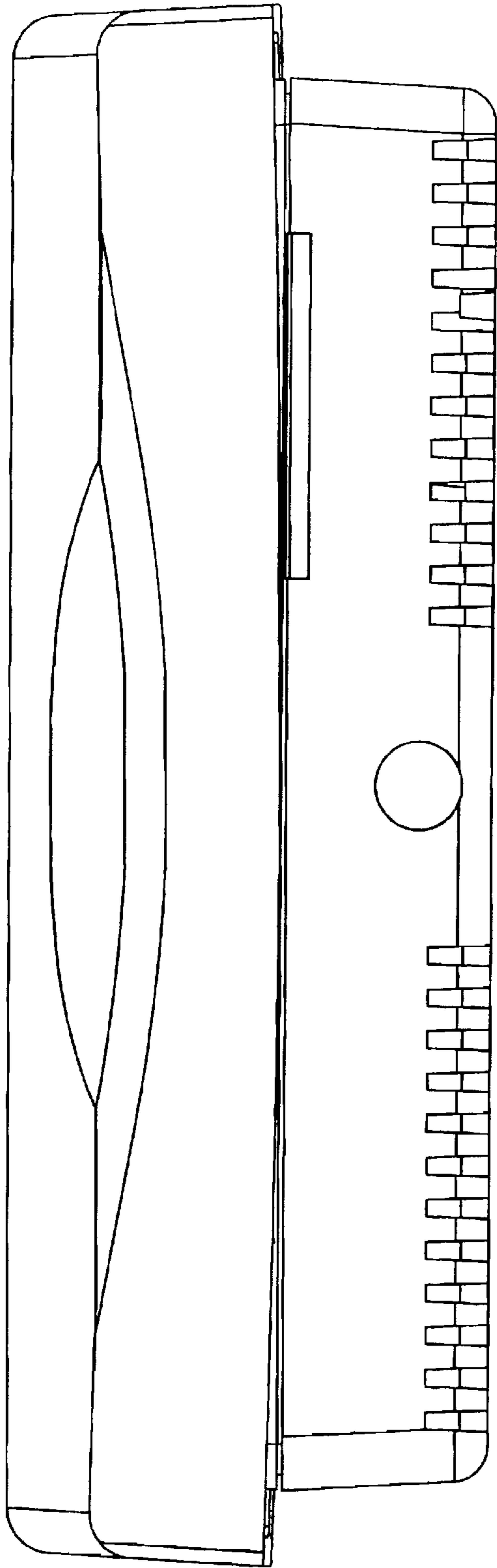


FIGURE 6

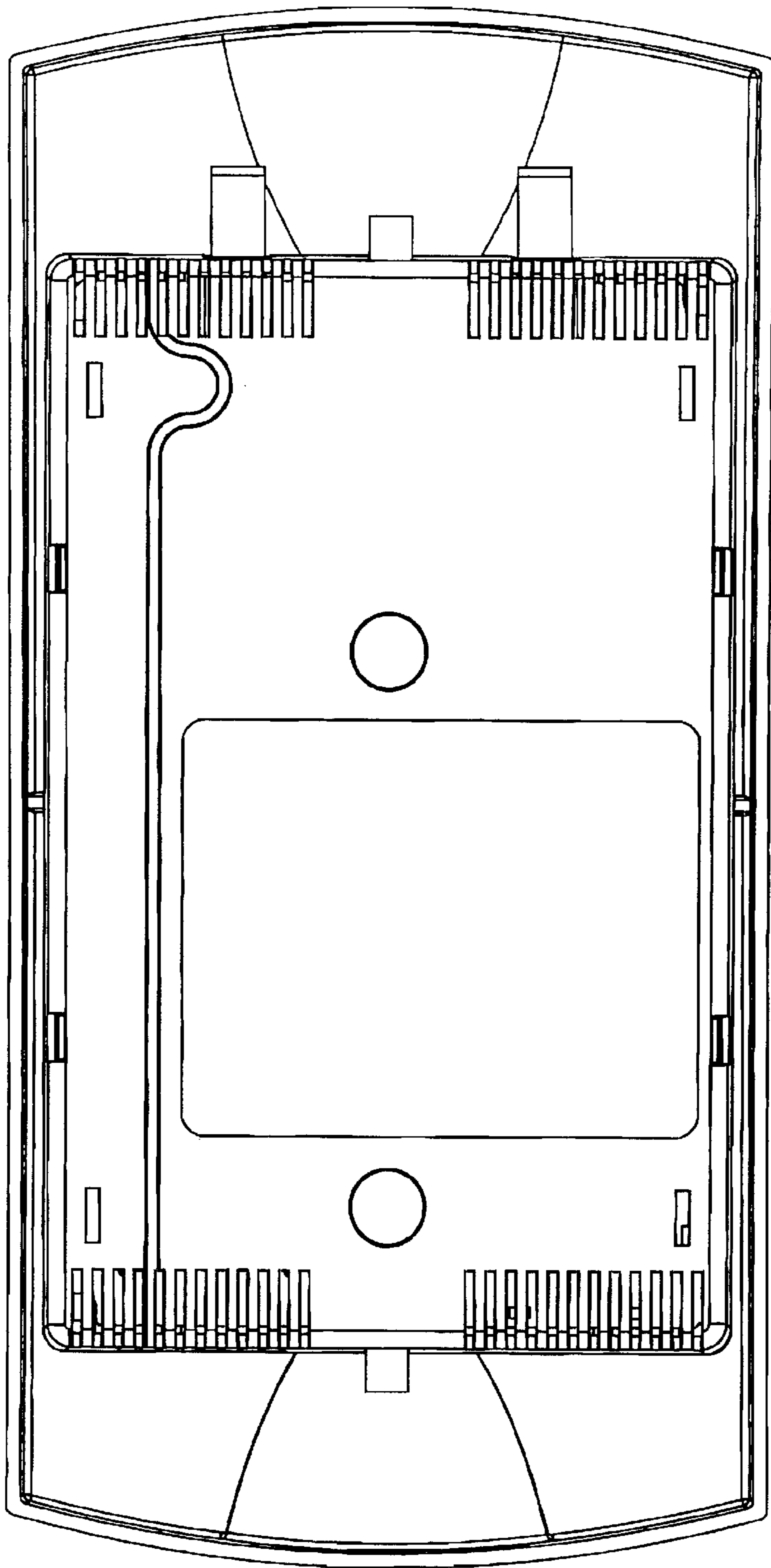


FIGURE 7