

US00D540311S

(12) **United States Design Patent**
Koenecke

(10) **Patent No.:** **US D540,311 S**

(45) **Date of Patent:** **** Apr. 10, 2007**

(54) **HEADPHONE CONTAINER**

(75) Inventor: **Fred Koenecke**, Nienhagen (DE)

(73) Assignee: **Sennheiser electronic GmbH & Co. KG**, Wedemark (DE)

(**) Term: **14 Years**

(21) Appl. No.: **29/207,494**

(22) Filed: **Jun. 14, 2004**

(30) **Foreign Application Priority Data**

Dec. 12, 2003 (DE) 4 03 07 926

(51) **LOC (8) Cl.** **14-01**

(52) **U.S. Cl.** **D14/223**

(58) **Field of Classification Search** D14/205,
D14/206, 223, 249, 253; 181/129, 130; 379/447,
379/449, 430, 433; 381/372, 370, 376, 377,
381/378, 379, 380, 381; D24/128; 248/210;
211/70

See application file for complete search history.

(56) **References Cited**

U.S. PATENT DOCUMENTS

3,091,670 A * 5/1963 Hall 379/449
3,192,326 A * 6/1965 Chapman 379/447
D262,237 S * 12/1981 Stauber D24/128

D316,414 S * 4/1991 Fratantonio et al. D14/223
D326,268 S * 5/1992 Le Tixerant D14/253
D339,355 S * 9/1993 Burris et al. D14/249
D401,941 S * 12/1998 Slappey D14/253
D494,568 S * 8/2004 Pan D14/223

* cited by examiner

Primary Examiner—Paula A. Greene

(74) *Attorney, Agent, or Firm*—Reed Smith LLP

(57) **CLAIM**

The ornamental design for a headphone container, as shown and described.

DESCRIPTION

The patent or application file contains at least one drawing executed in color. Copies of this patent or patent application publication with color drawings will be provided by the Office upon payment of the necessary fee.

FIG. 1 illustrates a side view of the headphone container showing my new design, the undisclosed portions are not part of the claimed design;

FIG. 2 illustrates a top view of the headphone container; and,

FIG. 3 illustrates a front view of the container.

1 Claim, 3 Drawing Sheets

(3 of 3 Drawing Sheet(s) Filed in Color)

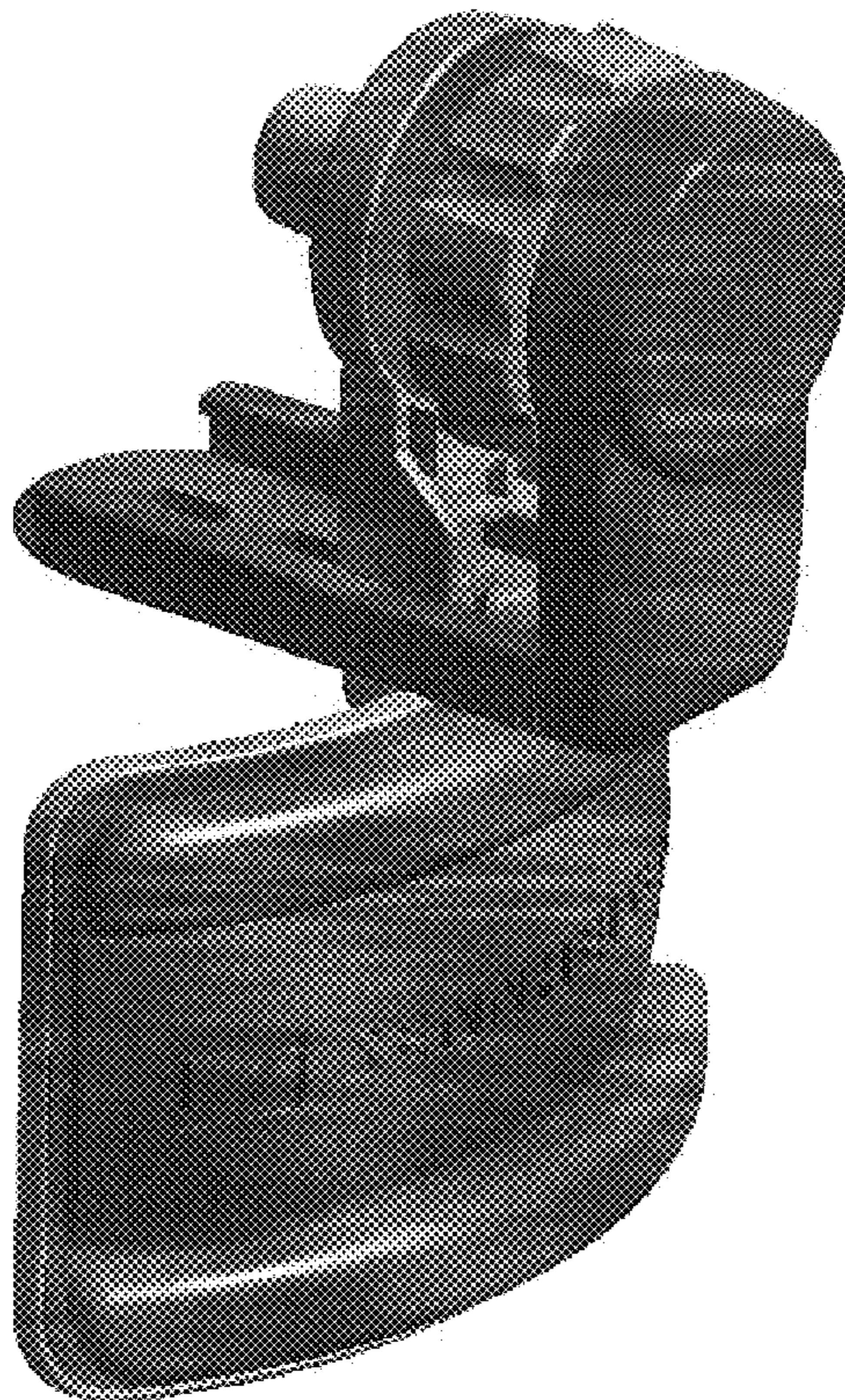


Figure 1

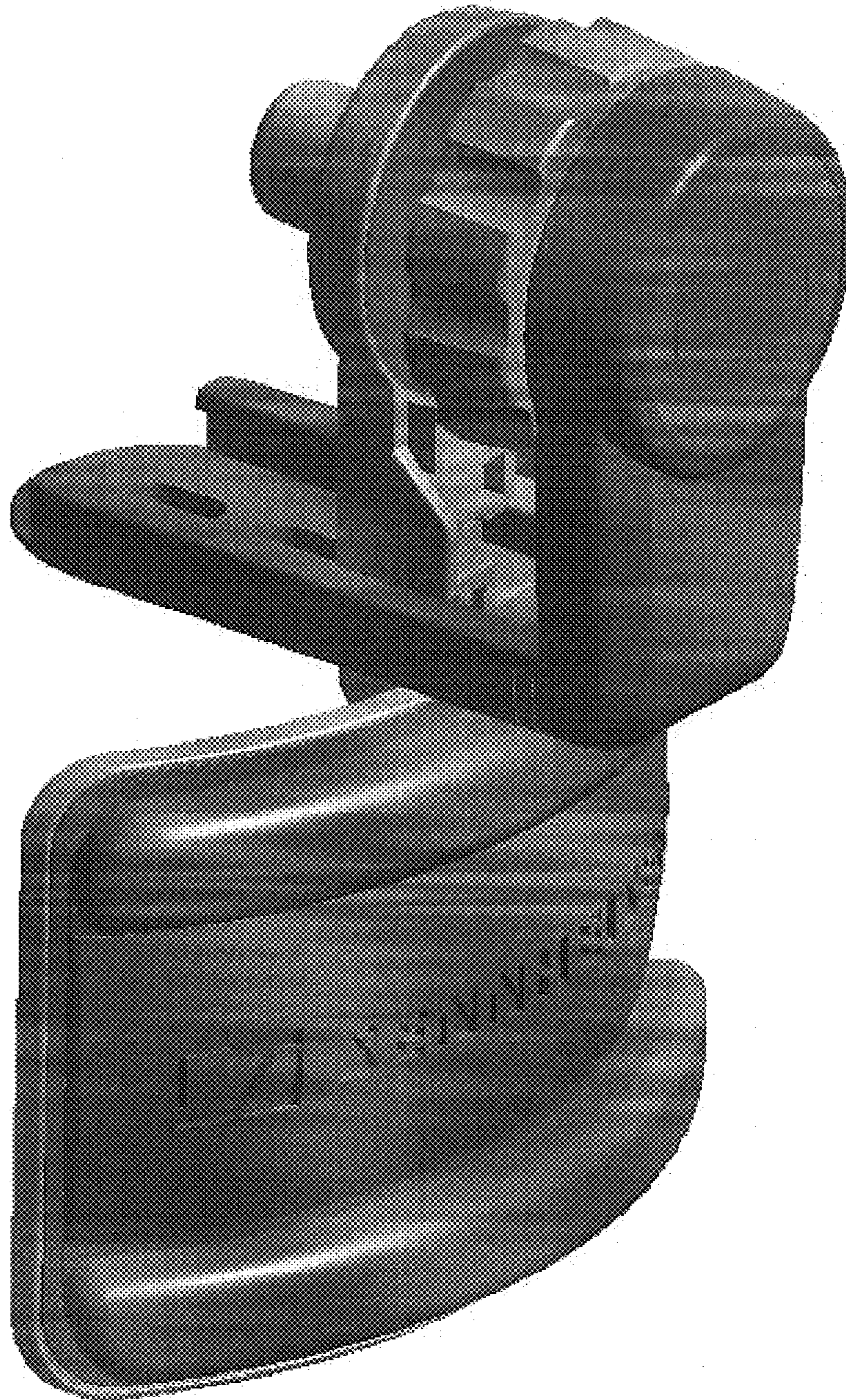


Figure 2

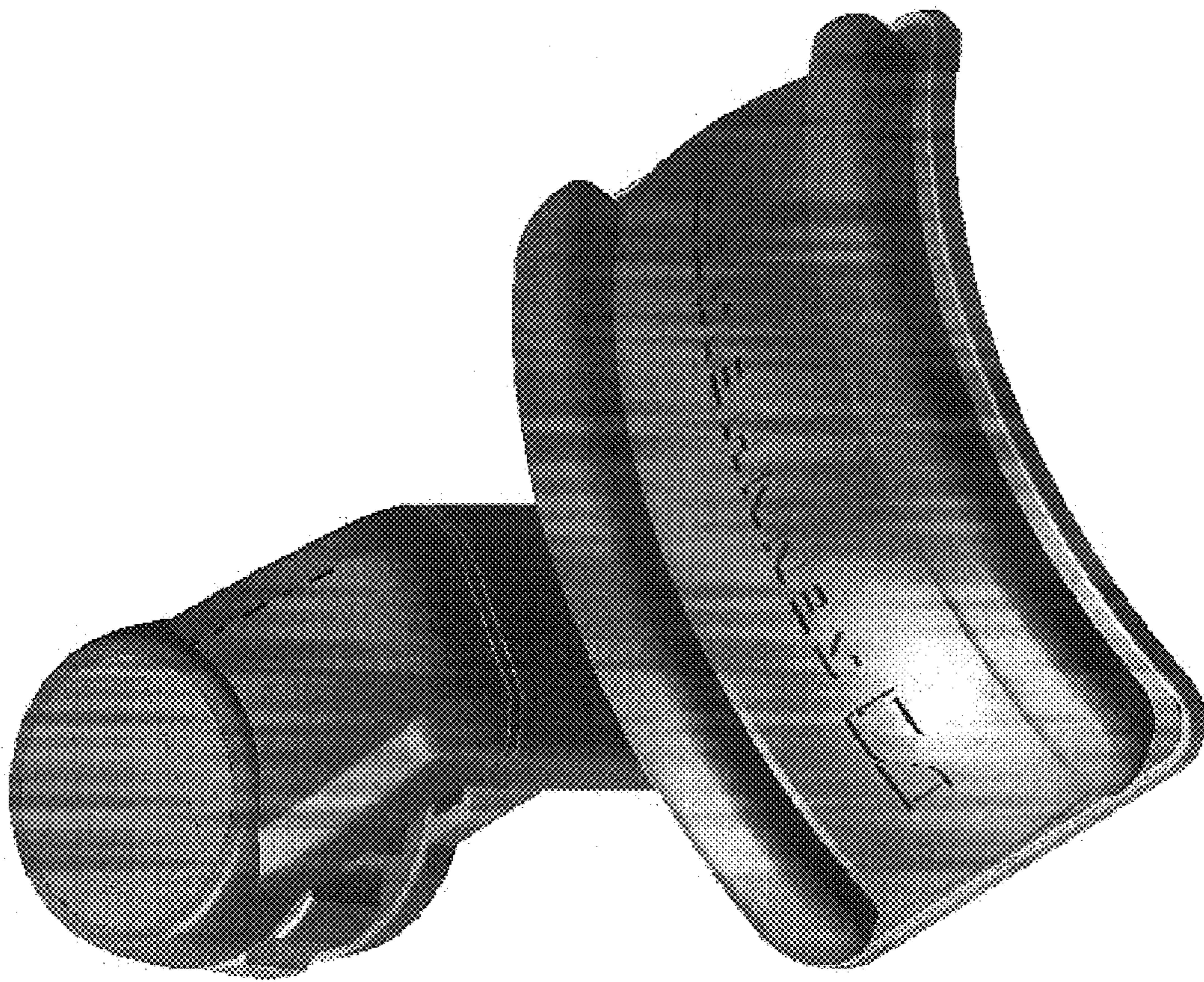


Figure 3

