



US00D540309S

(12) **United States Design Patent**
Yuyama

(10) **Patent No.:** **US D540,309 S**

(45) **Date of Patent:** **** Apr. 10, 2007**

(54) **SPEAKER BOX**

(75) Inventor: **Yasuo Yuyama**, Tokyo (JP)

(73) Assignee: **Sony Corporation**, Tokyo (JP)

(**) Term: **14 Years**

(21) Appl. No.: **29/254,447**

(22) Filed: **Feb. 24, 2006**

(30) **Foreign Application Priority Data**

Sep. 9, 2005 (JP) D2005-026148

(51) **LOC (8) Cl.** **14-01**

(52) **U.S. Cl.** **D14/211**

(58) **Field of Classification Search** D14/204,
D14/207, 209–216, 172; 181/143–144, 147–148,
181/150, 157, 198–199, 151, 153; 381/300–302,
381/306, 333, 345, 361–364, 386–388, 332,
381/336

See application file for complete search history.

(56) **References Cited**

U.S. PATENT DOCUMENTS

D319,242 S * 8/1991 Furuno D14/204

5,802,190 A * 9/1998 Ferren 381/182

D457,875 S * 5/2002 Joe D14/211

D492,281 S 6/2004 Hakoda

D508,480 S 8/2005 Oikawa

D512,987 S 12/2005 Tsuge

* cited by examiner

Primary Examiner—Nanda Bondade

(74) *Attorney, Agent, or Firm*—Rader, Fishman & Grauer
PLLC

(57) **CLAIM**

The ornamental design for a speaker box, as shown.

DESCRIPTION

FIG. 1 is a perspective view of a speaker box showing my new design;

FIG. 2 is a front elevational view thereof;

FIG. 3 is a rear elevational view thereof;

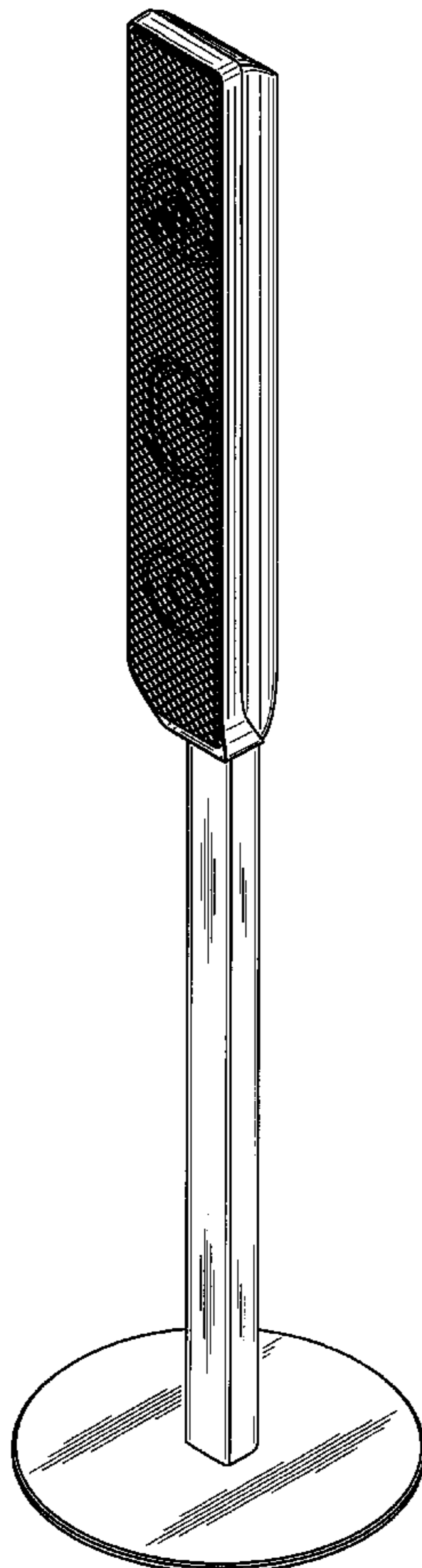
FIG. 4 is a left side elevational view thereof;

FIG. 5 is a right side elevational view thereof;

FIG. 6 is a top plan view thereof; and,

FIG. 7 is a bottom plan view thereof.

1 Claim, 7 Drawing Sheets



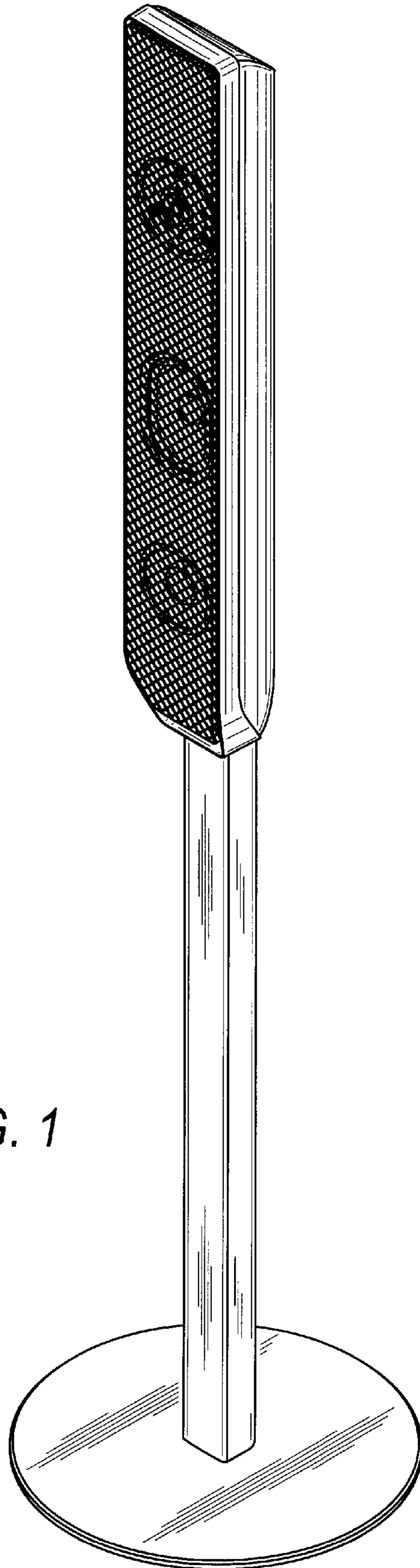


FIG. 1

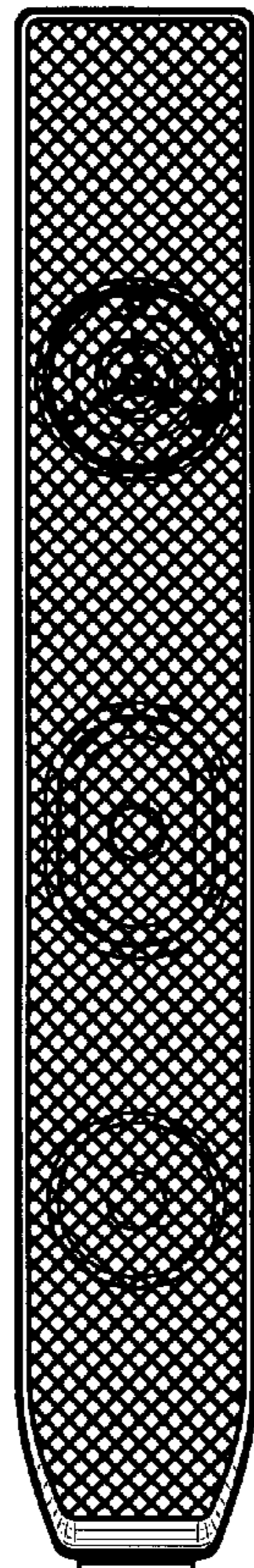
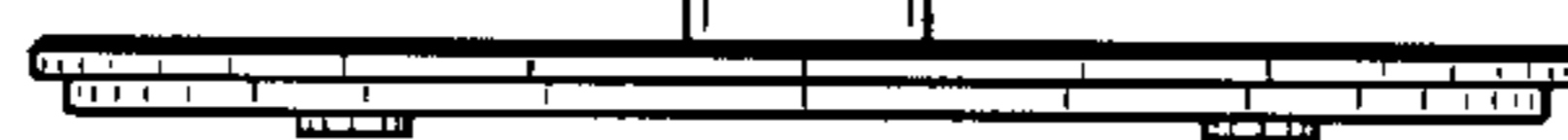


FIG. 2



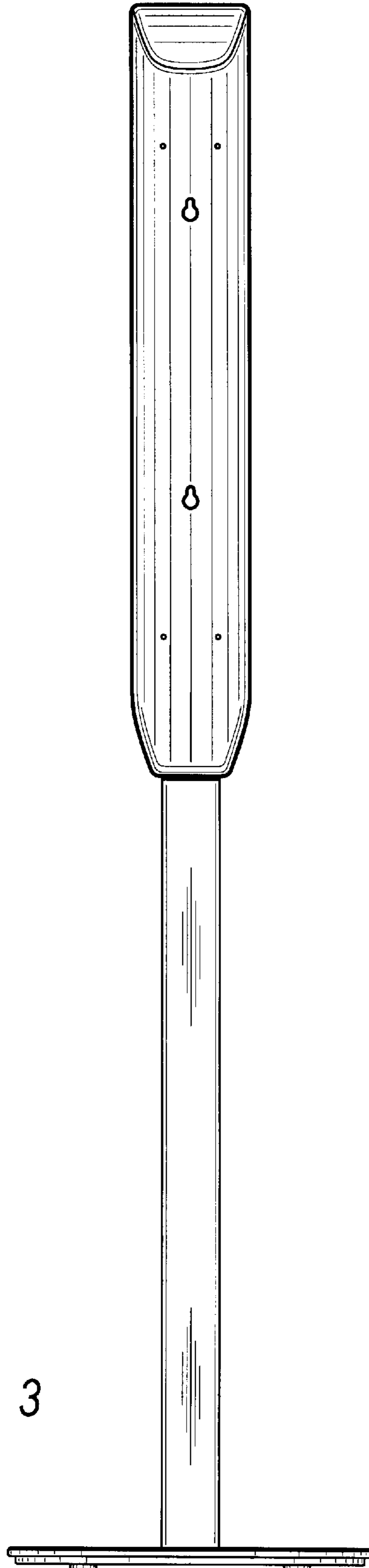


FIG. 3

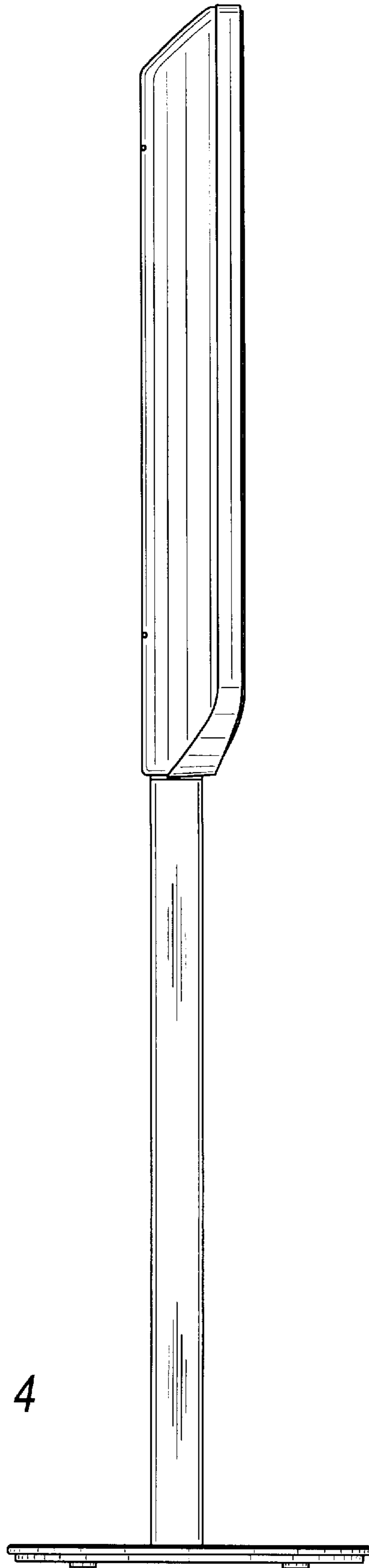


FIG. 4

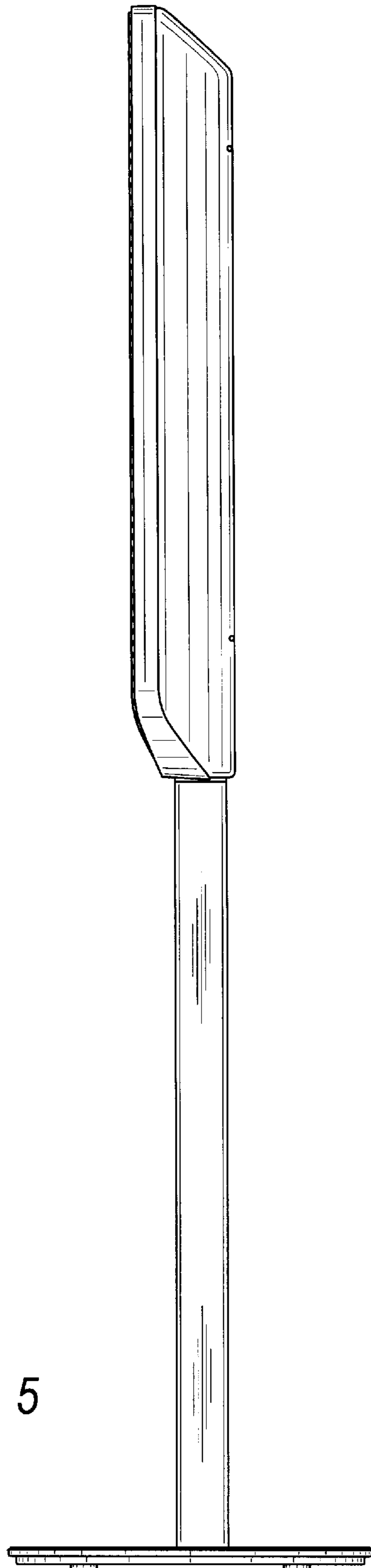


FIG. 5

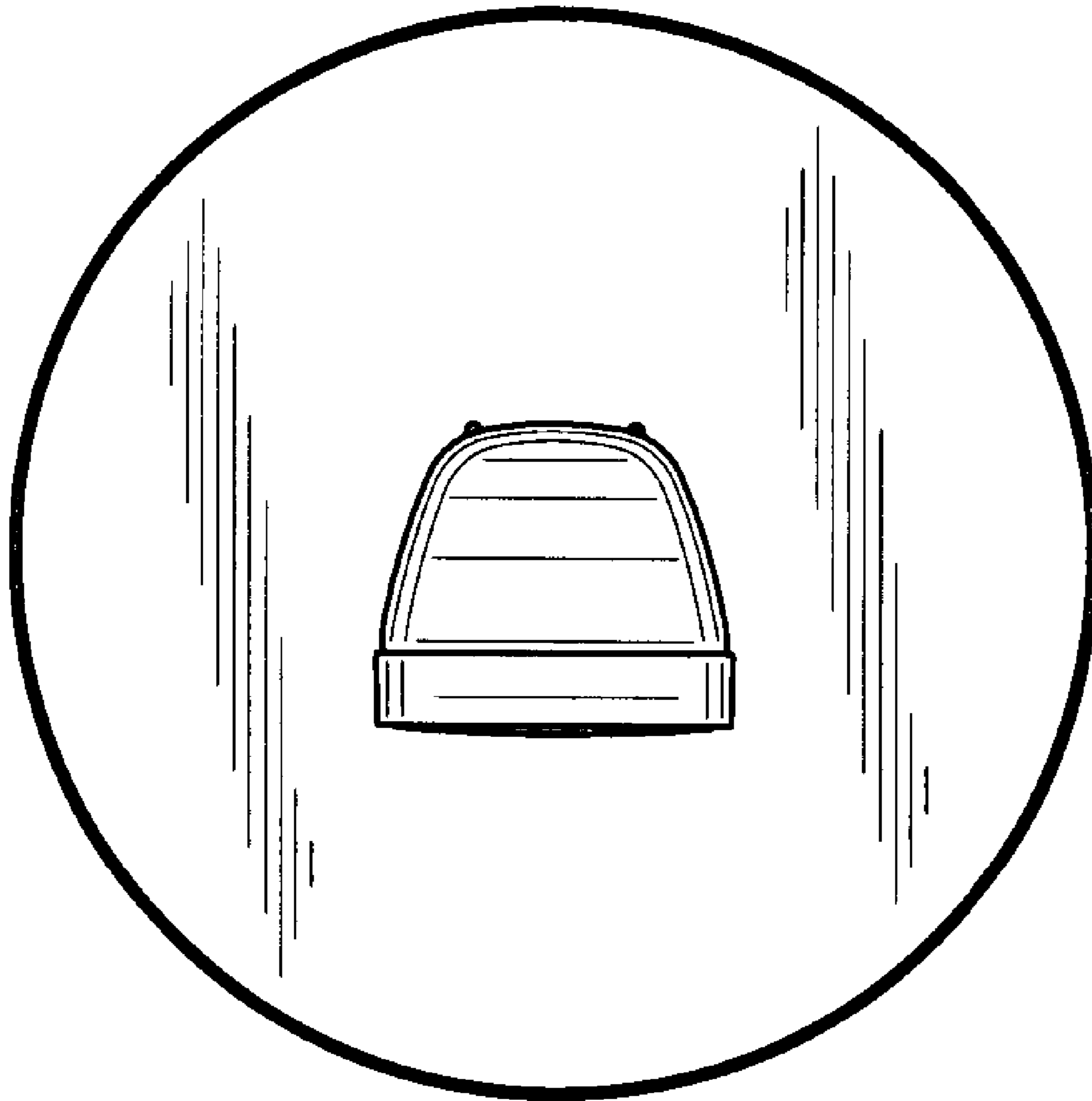


FIG. 6

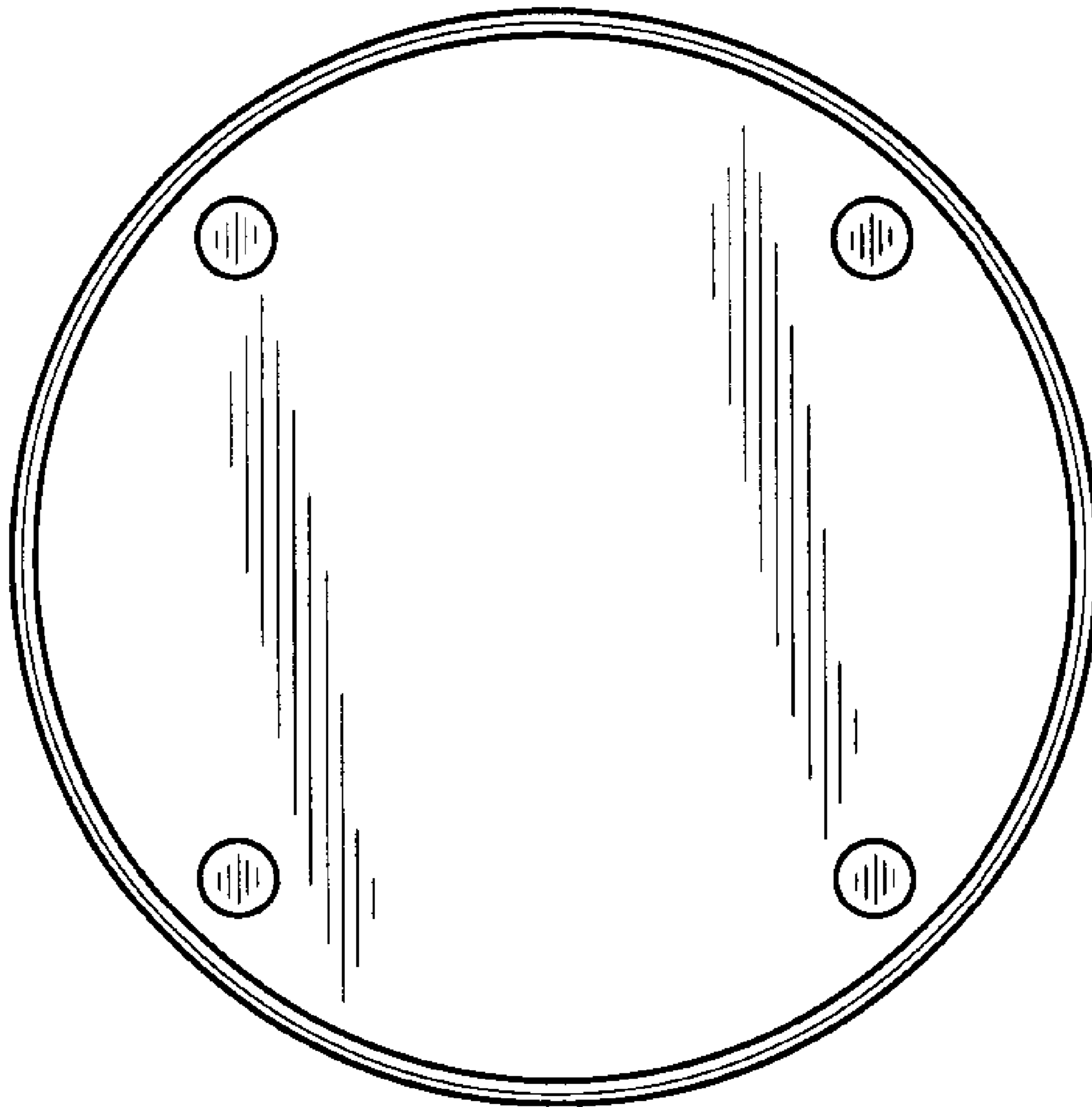


FIG. 7