

US00D540305S

(12) **United States Design Patent**
Han

(10) **Patent No.:** **US D540,305 S**

(45) **Date of Patent:** **** Apr. 10, 2007**

(54) **HOME THEATER SPEAKER**

D478,891 S * 8/2003 Hisatsune D14/211
D511,339 S * 11/2005 Tsuge D14/214

(75) Inventor: **Sung Hee Han**, Seoul (KR)

* cited by examiner

(73) Assignee: **LG Electronics Inc.**, Seoul (KR)

Primary Examiner—Nanda Bondade

(**) Term: **14 Years**

(74) *Attorney, Agent, or Firm*—Birch, Stewart, Kolasch & Birch, LLP

(21) Appl. No.: **29/254,005**

(22) Filed: **Feb. 16, 2006**

(57) **CLAIM**

(30) **Foreign Application Priority Data**

I claim the ornamental design for home theater speaker, as shown and described.

Aug. 18, 2005 (KR) 30-2005-0027690

DESCRIPTION

(51) **LOC (8) Cl.** **14-01**

FIG. 1 is a perspective view of home theater speaker showing the new design:

(52) **U.S. Cl.** **D14/211**

FIG. 2 is a front elevation view thereof;

(58) **Field of Classification Search** D14/204,
D14/207, 209–216, 172; 181/143–144, 147–148,
181/150, 157, 198–199, 151, 153; 381/300–302,
381/306, 333, 345, 361–364, 386–388, 332,
381/336

FIG. 3 is a rear elevation view thereof;

See application file for complete search history.

FIG. 4 is a left-side elevation view thereof;

FIG. 5 is a right-side elevation view thereof;

(56) **References Cited**

FIG. 6 is a top plan view thereof; and,

FIG. 7 is a bottom plan view thereof.

U.S. PATENT DOCUMENTS

D472,542 S * 4/2003 Oikawa D14/172

1 Claim, 4 Drawing Sheets

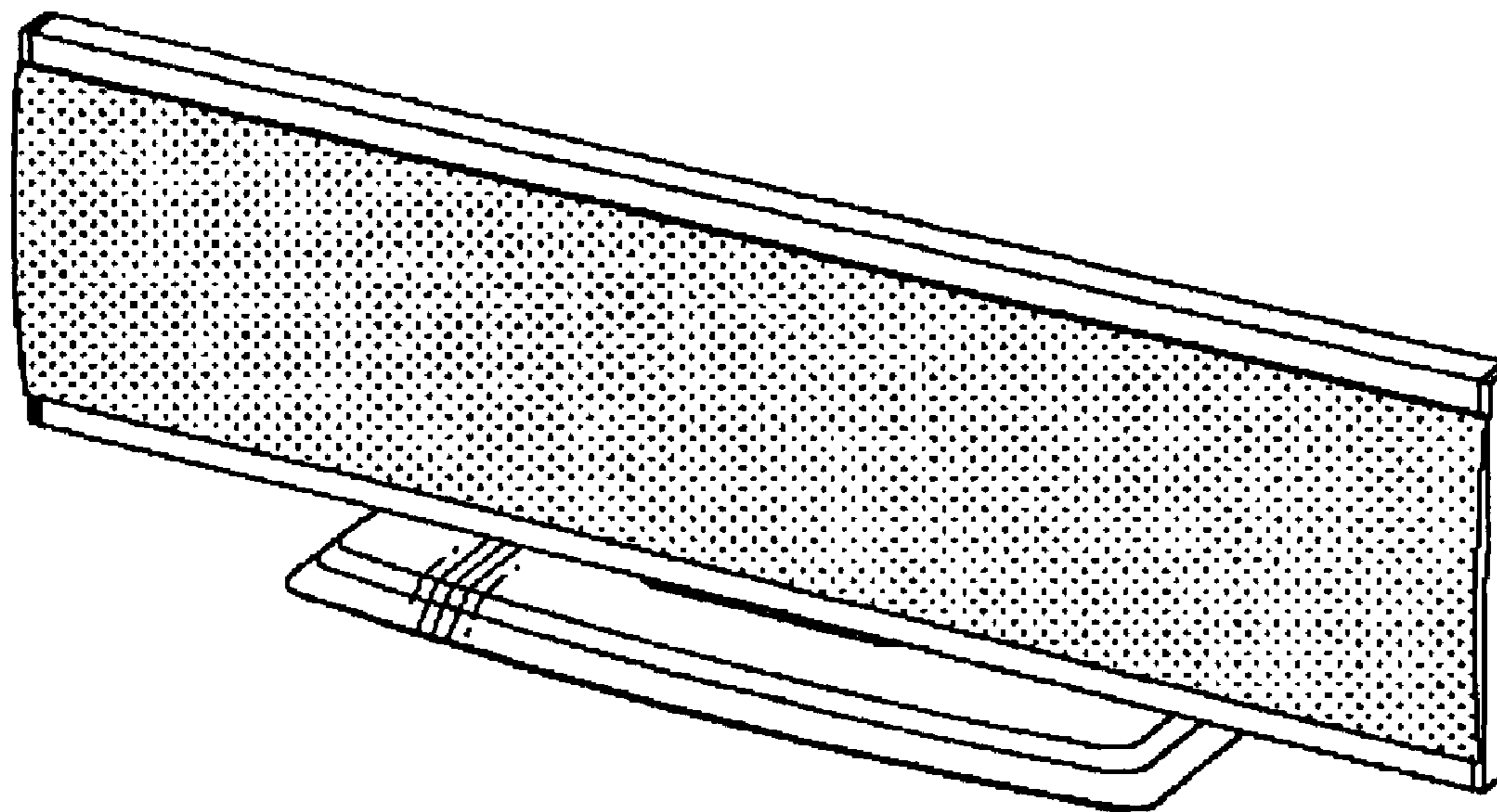


FIG. 1

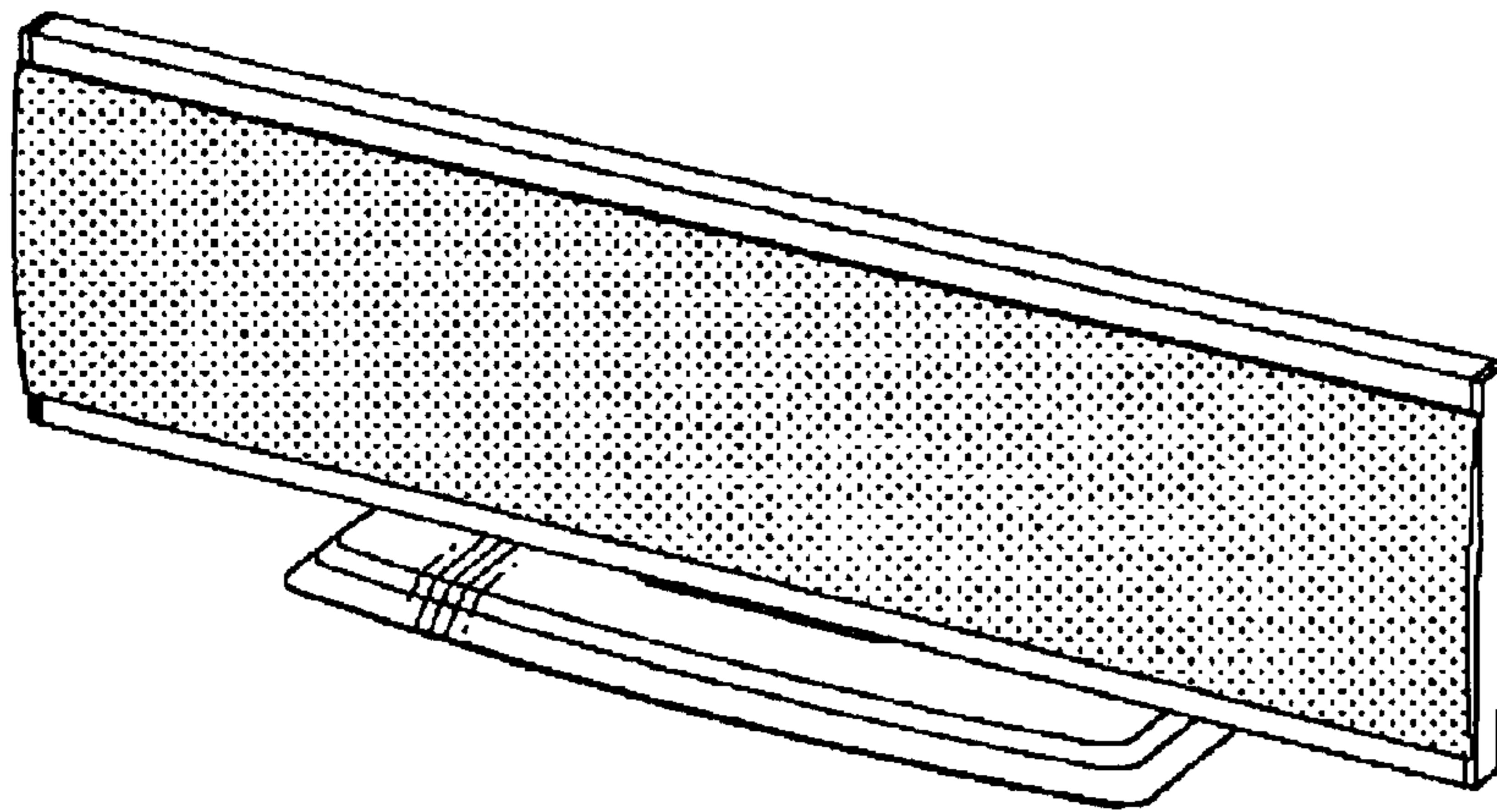


FIG. 2

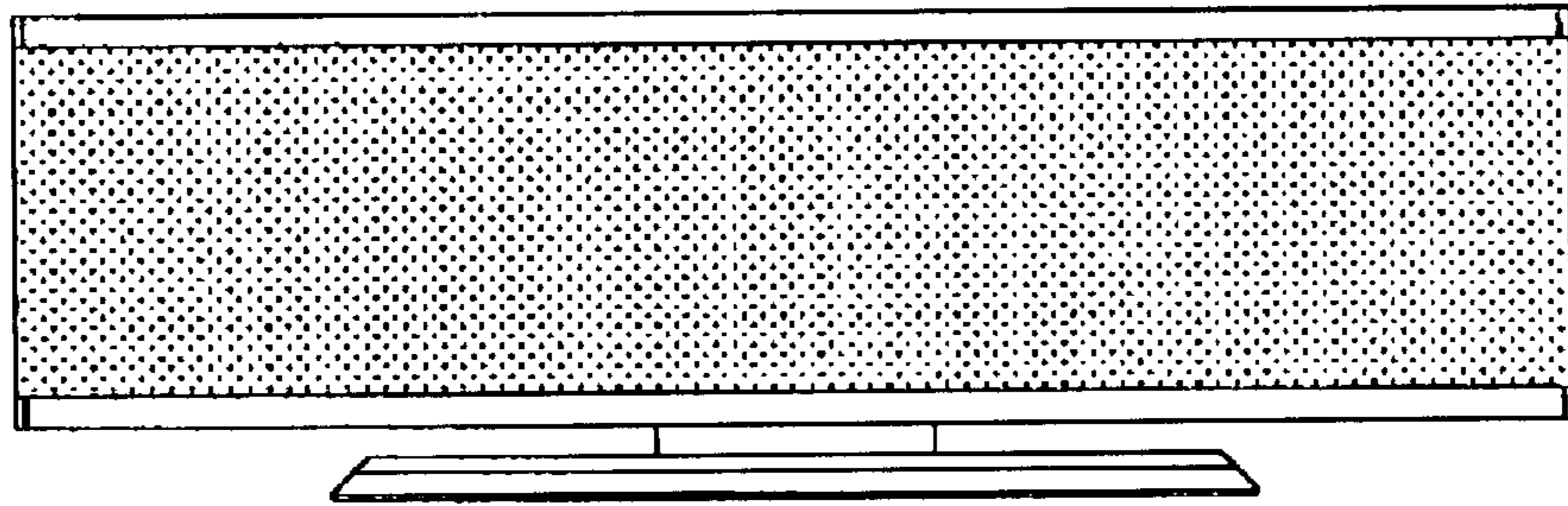


FIG. 3

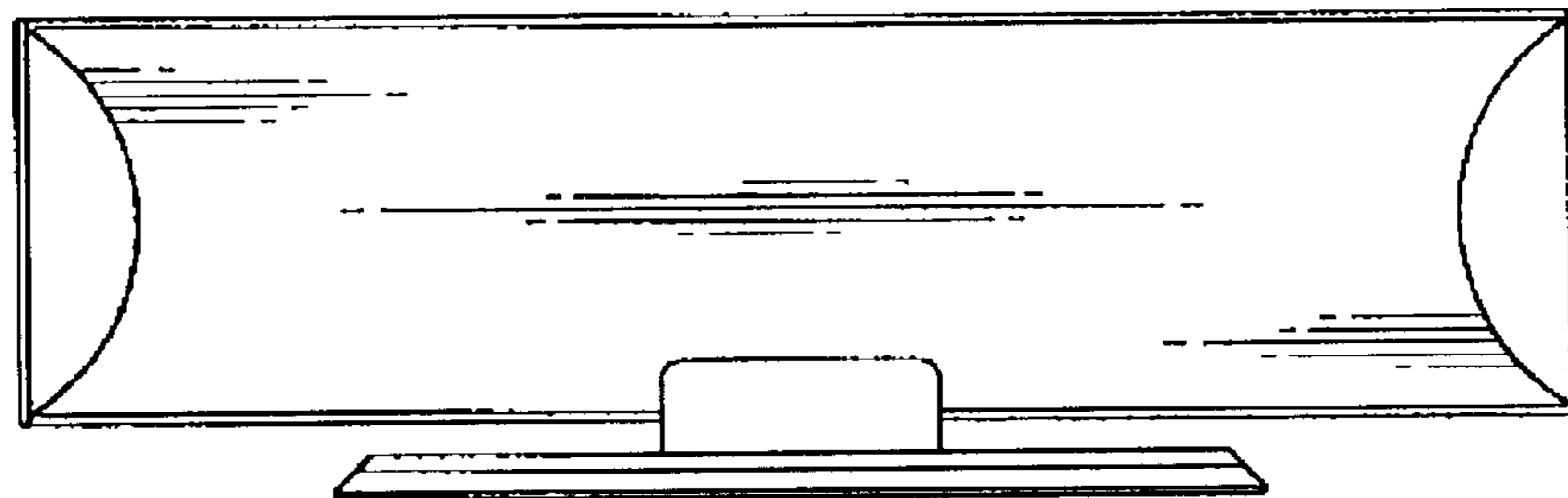


FIG. 4

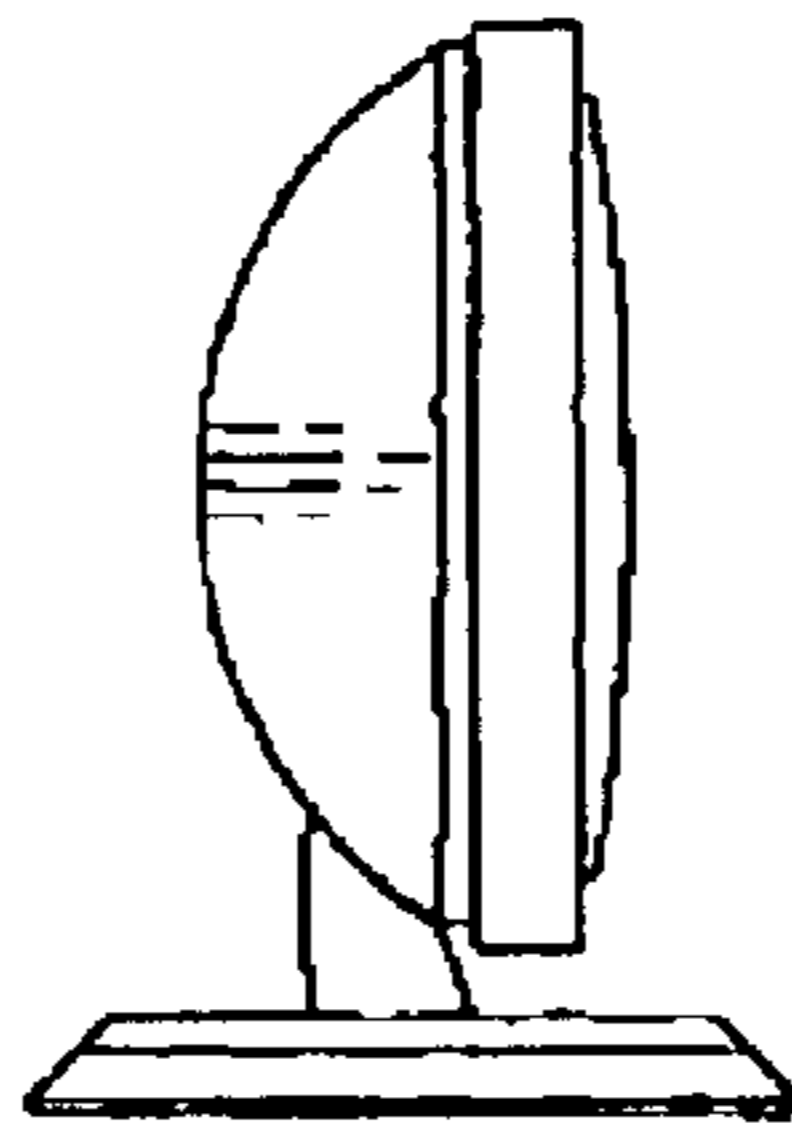


FIG. 5

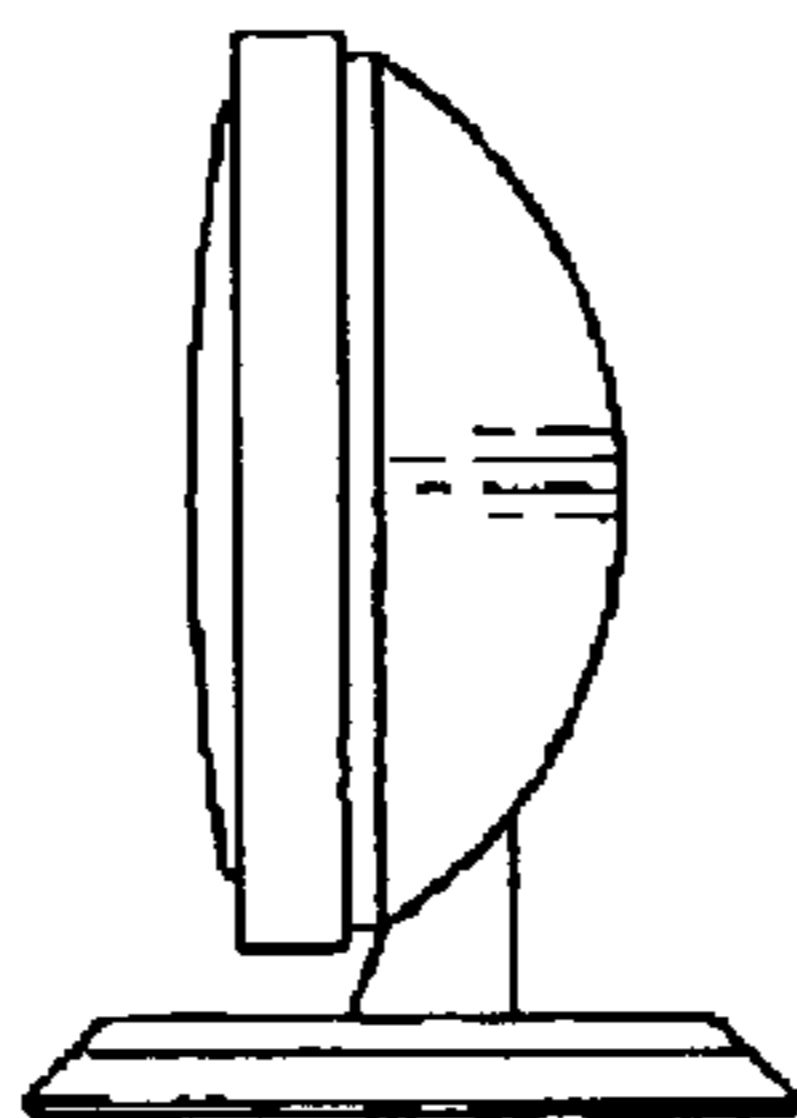


FIG. 6

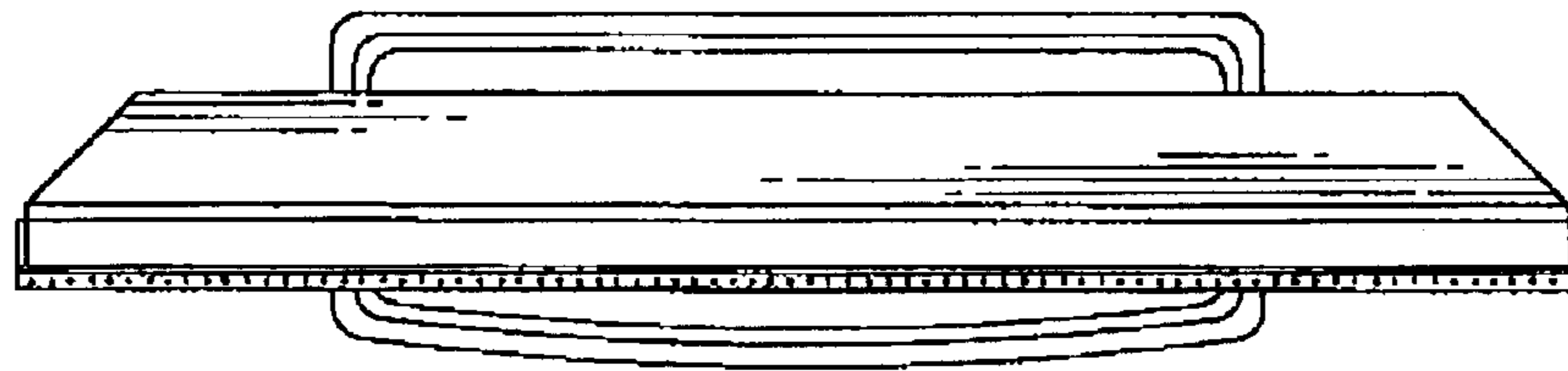


FIG. 7

