

US00D540304S

(12) **United States Design Patent**
Tse

(10) **Patent No.:** **US D540,304 S**

(45) **Date of Patent:** **** Apr. 10, 2007**

(54) **PORTABLE STEREO AMPLIFIER/SPEAKER PAIR**

(76) Inventor: **Ricky Ka Leung Tse**, Unit A, 8/F,
Spectrum Tower, 53 Hung To Road,
Kowloon (HK)

(**) Term: **14 Years**

(21) Appl. No.: **29/237,614**

(22) Filed: **Sep. 2, 2005**

(51) **LOC (8) Cl.** **14-01**

(52) **U.S. Cl.** **D14/207; D6/358**

(58) **Field of Classification Search** D14/204,
D14/207, 214–216, 188, 197–198; D6/358,
D6/375; 181/143–144, 147–148, 150, 157,
181/198–199, 151, 153; 381/300–302, 306,
381/333, 345, 361–364, 386–388, 332, 336
See application file for complete search history.

(56) **References Cited**

U.S. PATENT DOCUMENTS

D240,372 S * 7/1976 Vrignaud D6/358

D318,381 S * 7/1991 Nugent D6/380
D343,396 S * 1/1994 Yamashita et al. D14/204
D429,717 S * 8/2000 Kizawa D14/215
D456,152 S * 4/2002 Giordano D6/335
D469,421 S * 1/2003 Stickles et al. D14/204

* cited by examiner

Primary Examiner—Nanda Bondade

(74) *Attorney, Agent, or Firm*—William L. Chapin

(57) **CLAIM**

The ornamental design for a portable stereo amplifier/
speaker pair, as shown and described.

DESCRIPTION

FIG. 1 is an upper perspective view of a portable stereo
amplifier/speaker pair according to the present invention.
FIG. 2 is a front elevation view thereof.
FIG. 3 is a rear elevation view thereof.
FIG. 4 is a right side elevation view thereof.
FIG. 5 is a left side elevation view thereof.
FIG. 6 is a top plan view thereof; and,
FIG. 7 is bottom plan view thereof.

1 Claim, 5 Drawing Sheets

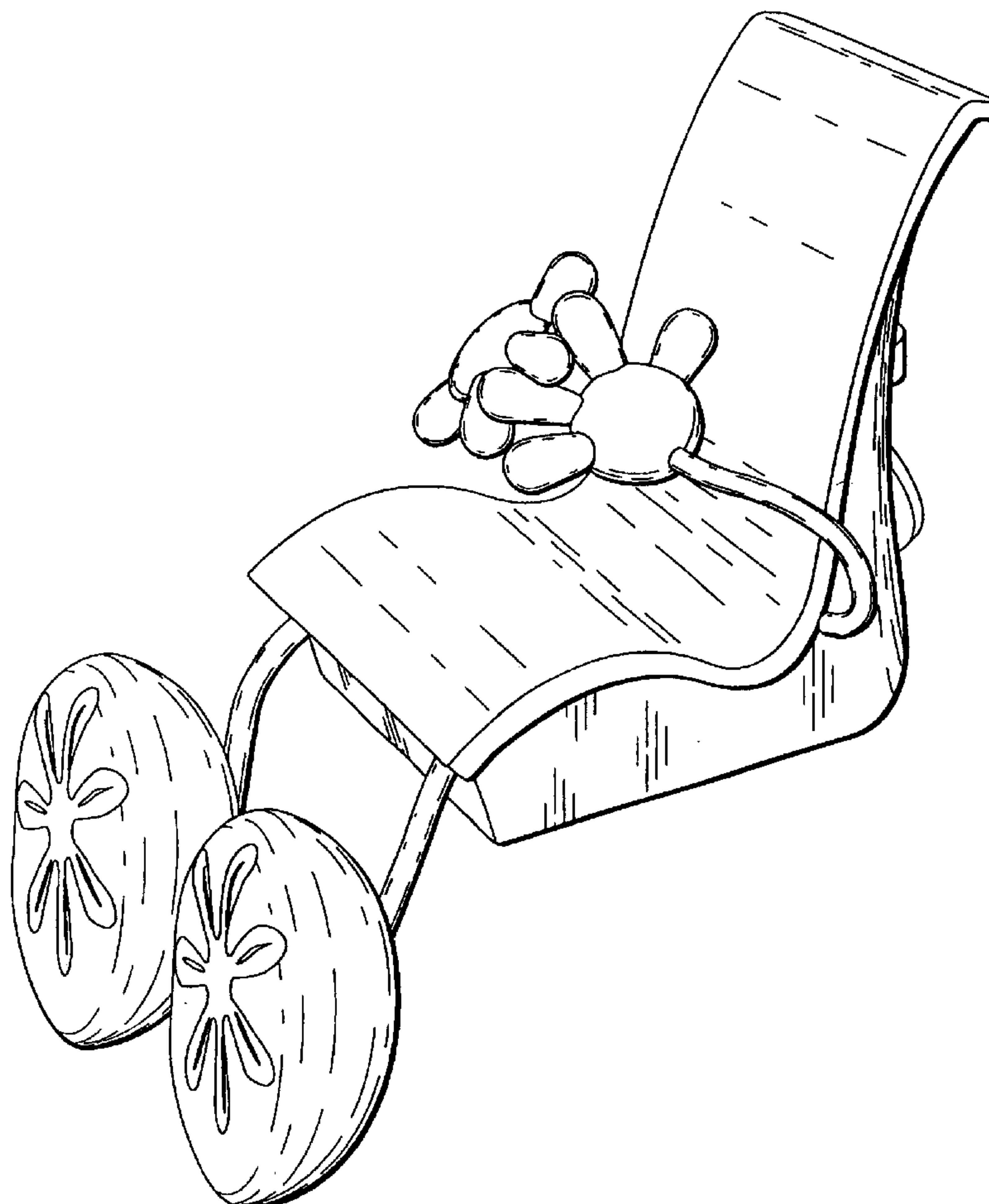
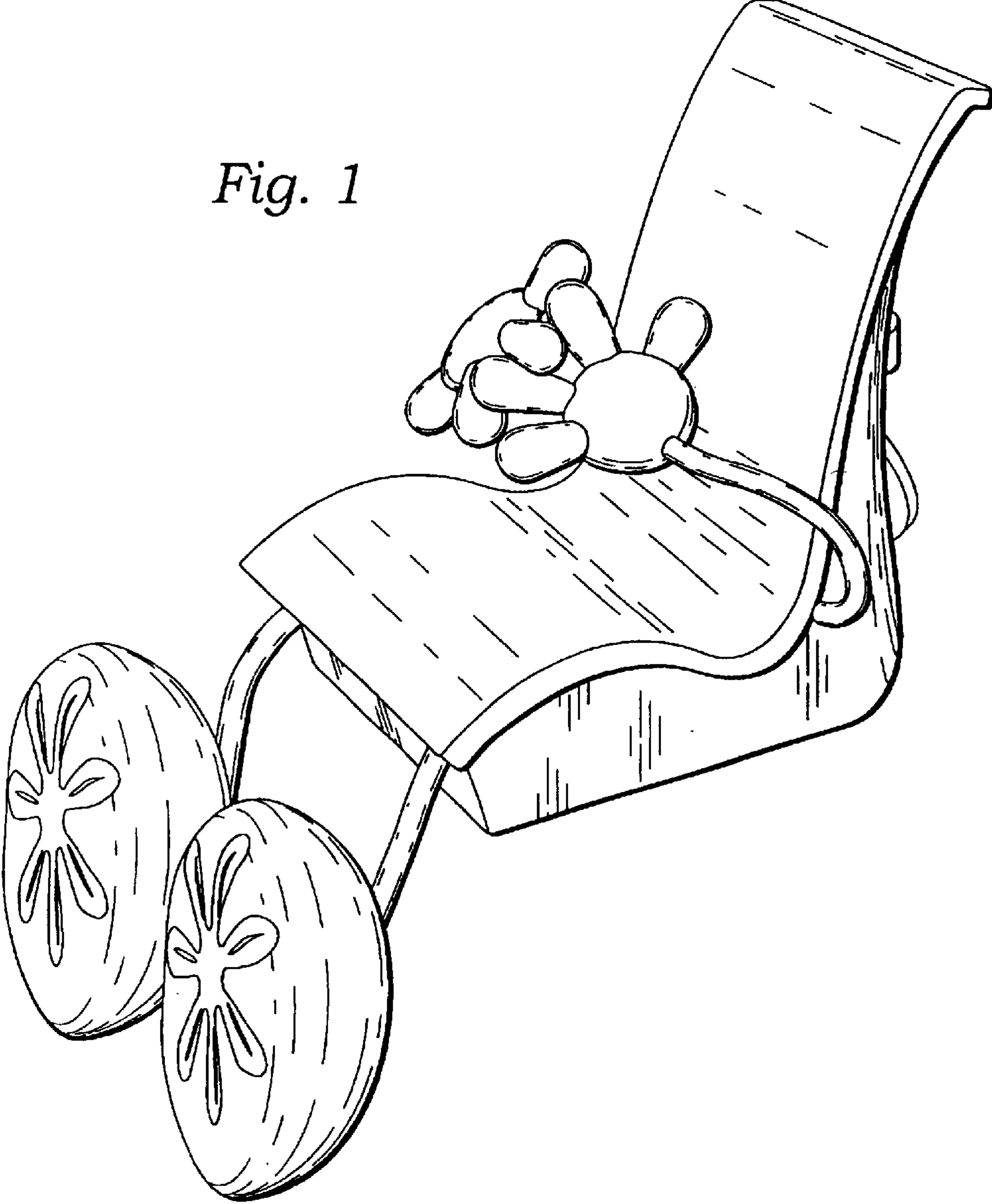


Fig. 1



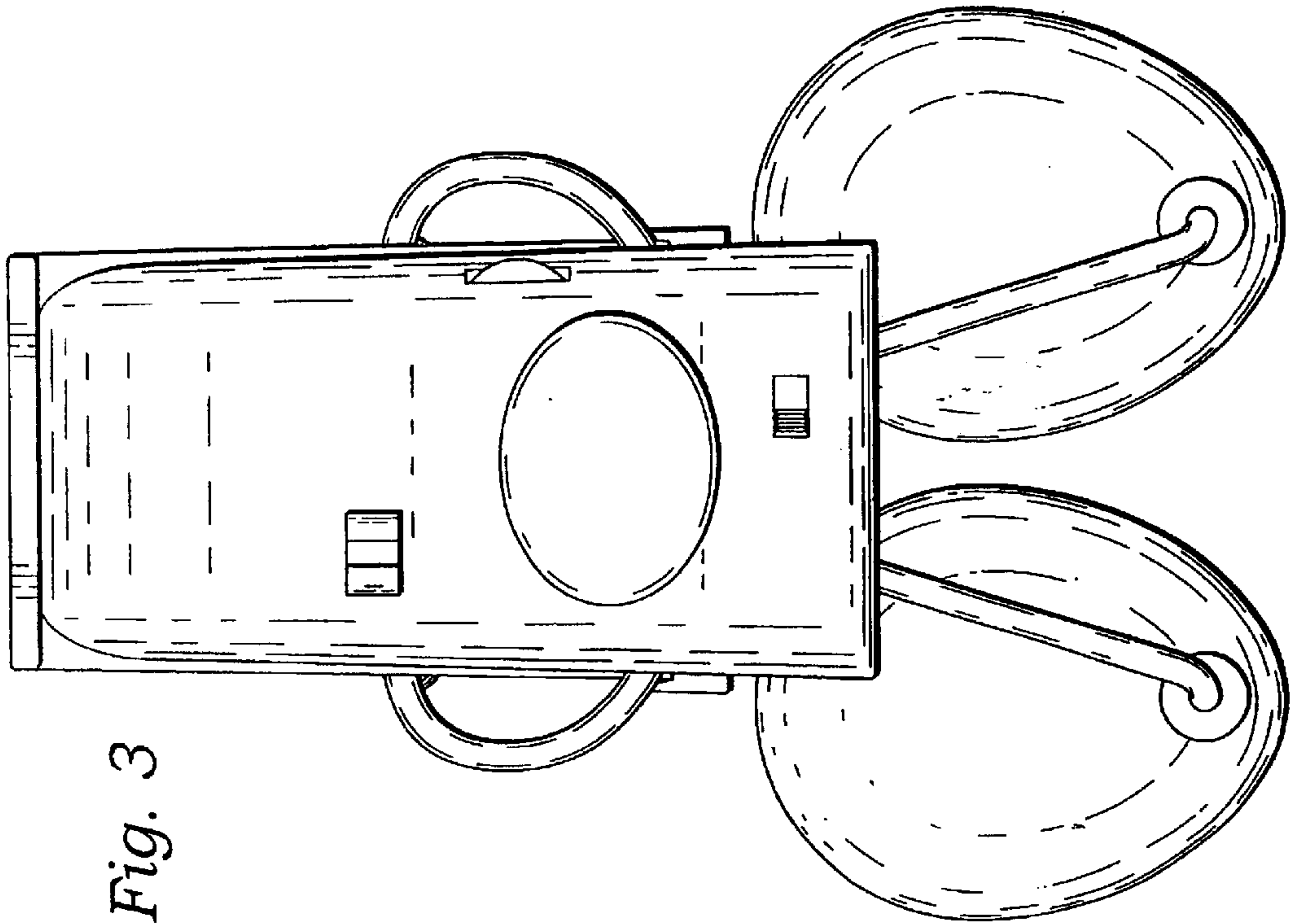


Fig. 3

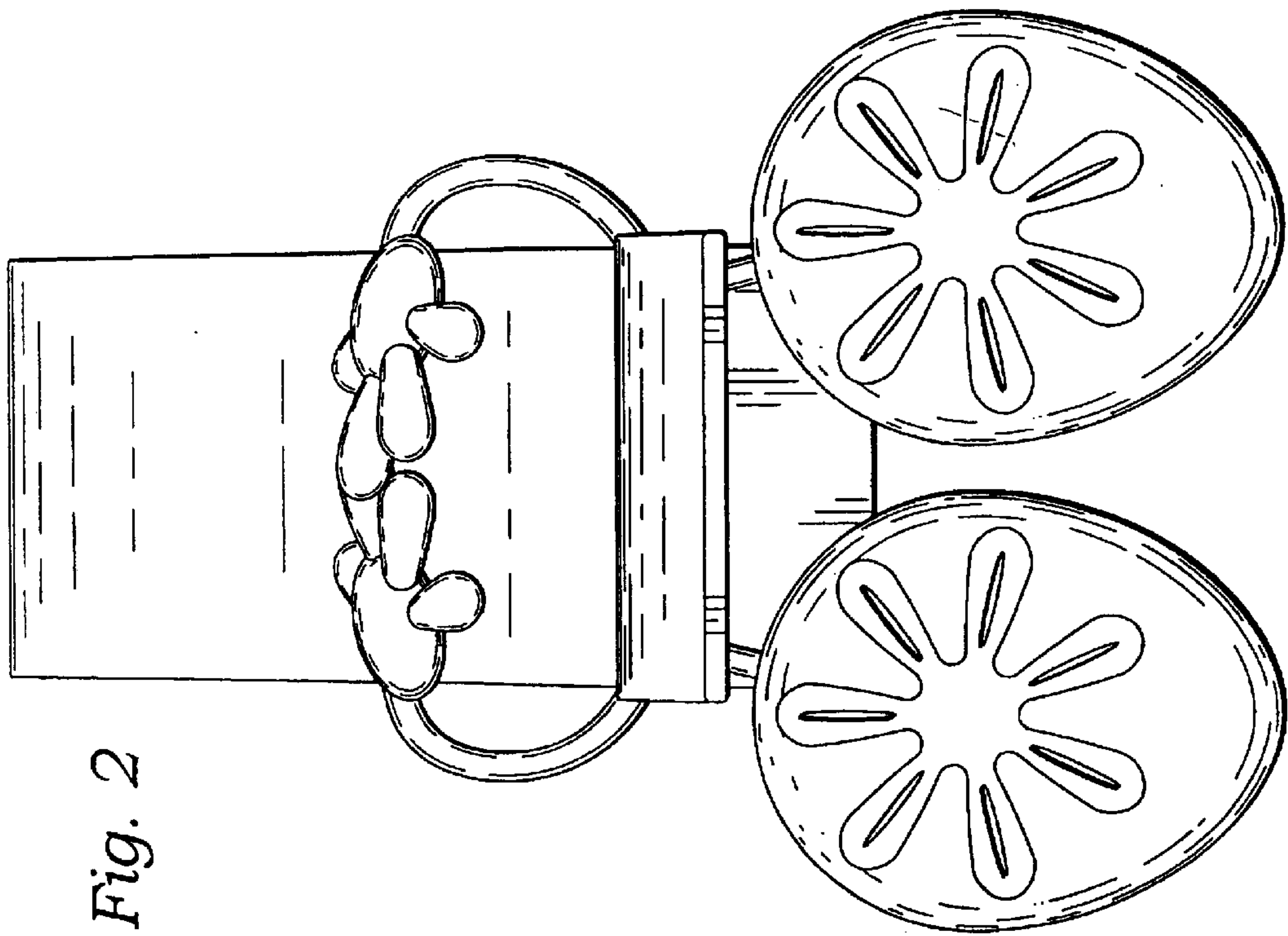


Fig. 2

Fig. 4

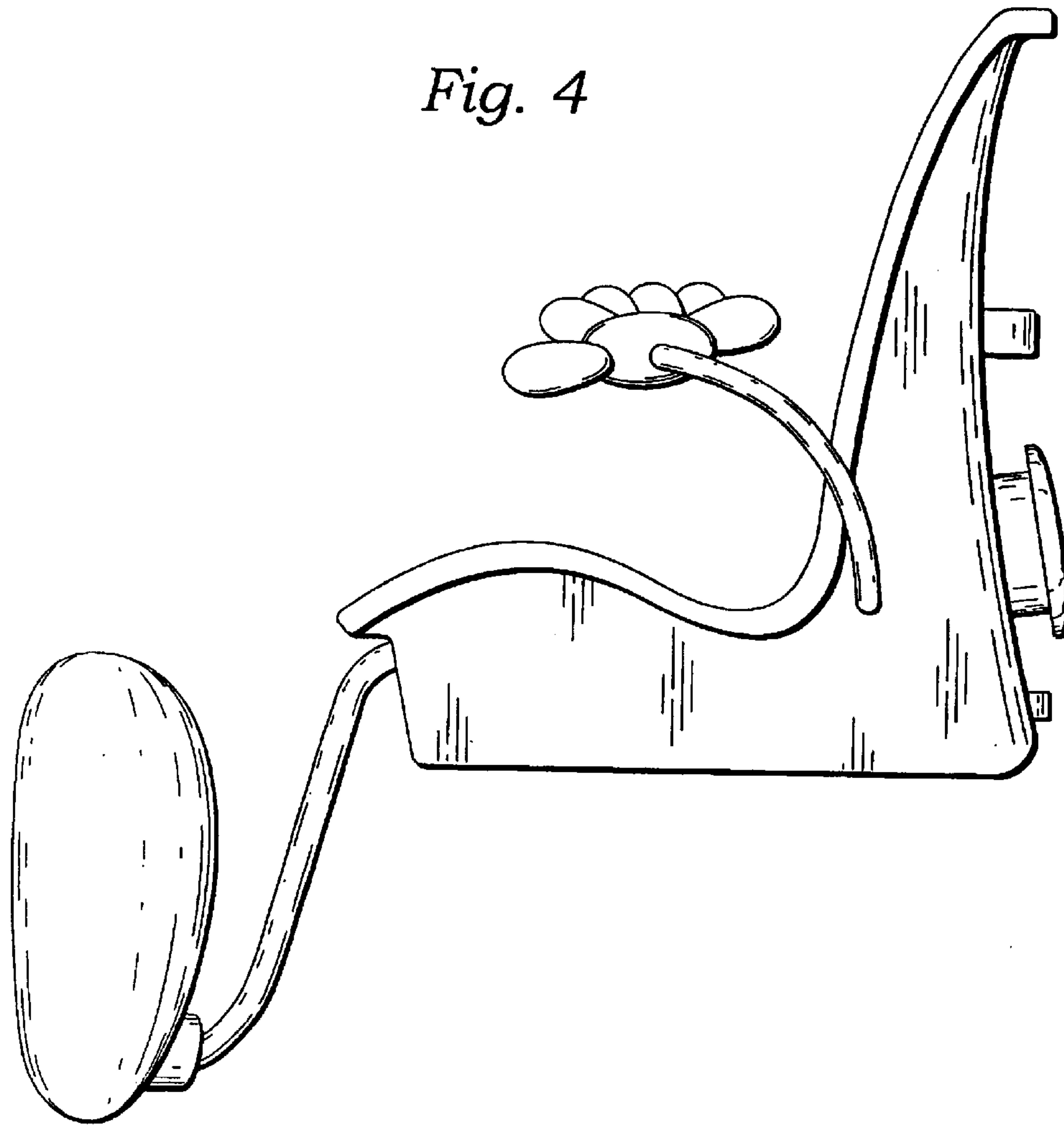


Fig. 5

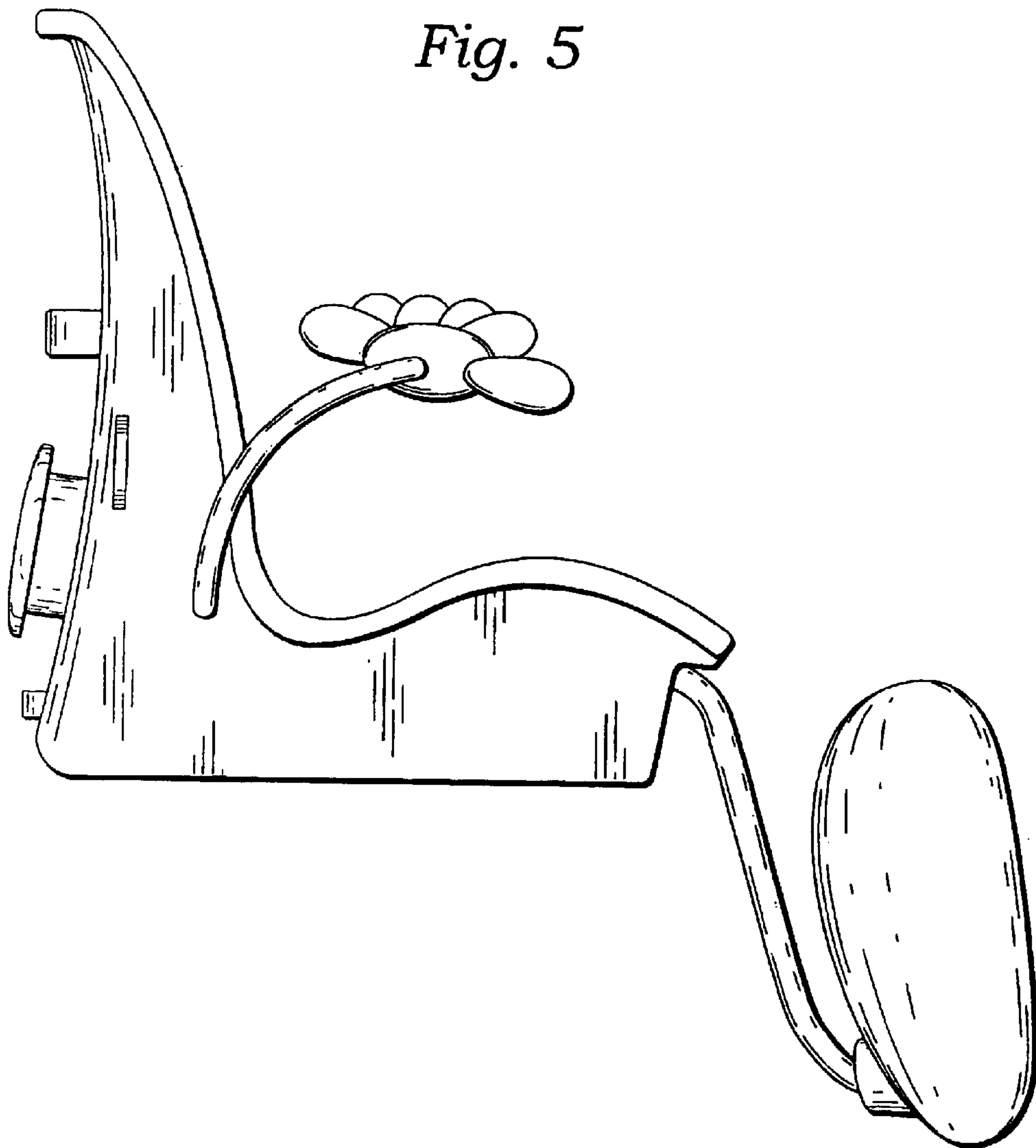


Fig. 7

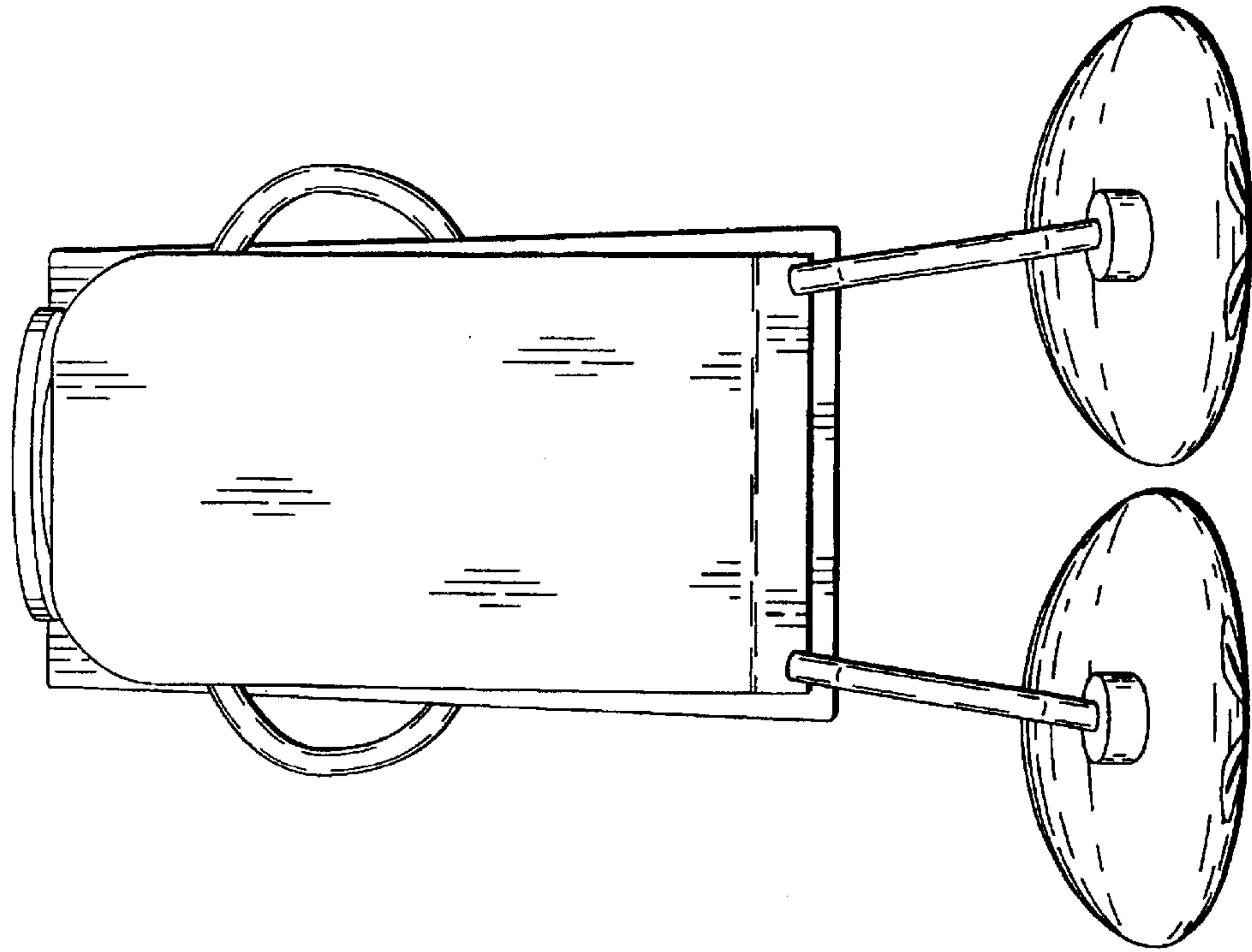


Fig. 6

