

US00D540300S

(12) **United States Design Patent**
Amid-Hozour

(10) **Patent No.:** **US D540,300 S**

(45) **Date of Patent:** **** Apr. 10, 2007**

(54) **SINGLE SPEAKER DIGITAL RADIO**

(75) **Inventor:** **Esmail Amid-Hozour**, Woodside, CA (US)

(73) **Assignee:** **Eton Corporation**, Palo Alto, CA (US)

(**) **Term:** **14 Years**

(21) **Appl. No.:** **29/251,051**

(22) **Filed:** **Jan. 3, 2006**

(51) **LOC (8) Cl.** **14-03**

(52) **U.S. Cl.** **D14/188**

(58) **Field of Classification Search** D14/188,
D14/204, 192-198, 265, 137, 138, 155, 168,
D14/169; 455/344-351, 92, 95; 369/6-12
See application file for complete search history.

(56) **References Cited**

U.S. PATENT DOCUMENTS

- 4,218,775 A * 8/1980 Cox et al. 455/344
- 5,862,468 A * 1/1999 Kim 455/321
- 5,883,859 A * 3/1999 Bentley 368/10
- 6,328,570 B1 * 12/2001 Ng 434/307 A
- D459,336 S * 6/2002 Ito et al. D14/168

- D469,078 S * 1/2003 Cuvelier D14/168
- D478,327 S * 8/2003 Rozier D14/188
- D511,154 S * 11/2005 Hasegawa et al. D14/168
- D514,547 S * 2/2006 Tragatschnig D14/188
- D524,325 S * 7/2006 Lau et al. D14/496

* cited by examiner

Primary Examiner—Prabhakar Deshmukh

(74) *Attorney, Agent, or Firm*—Jones Day; Brett Lovejoy

(57) **CLAIM**

The ornamental design for a single speaker digital radio, as shown and described.

DESCRIPTION

FIG. 1 is a front perspective view of an ornamental design for a single speaker digital radio according to the present invention;

FIG. 2 is a front view thereof;

FIG. 3 is a rear view thereof;

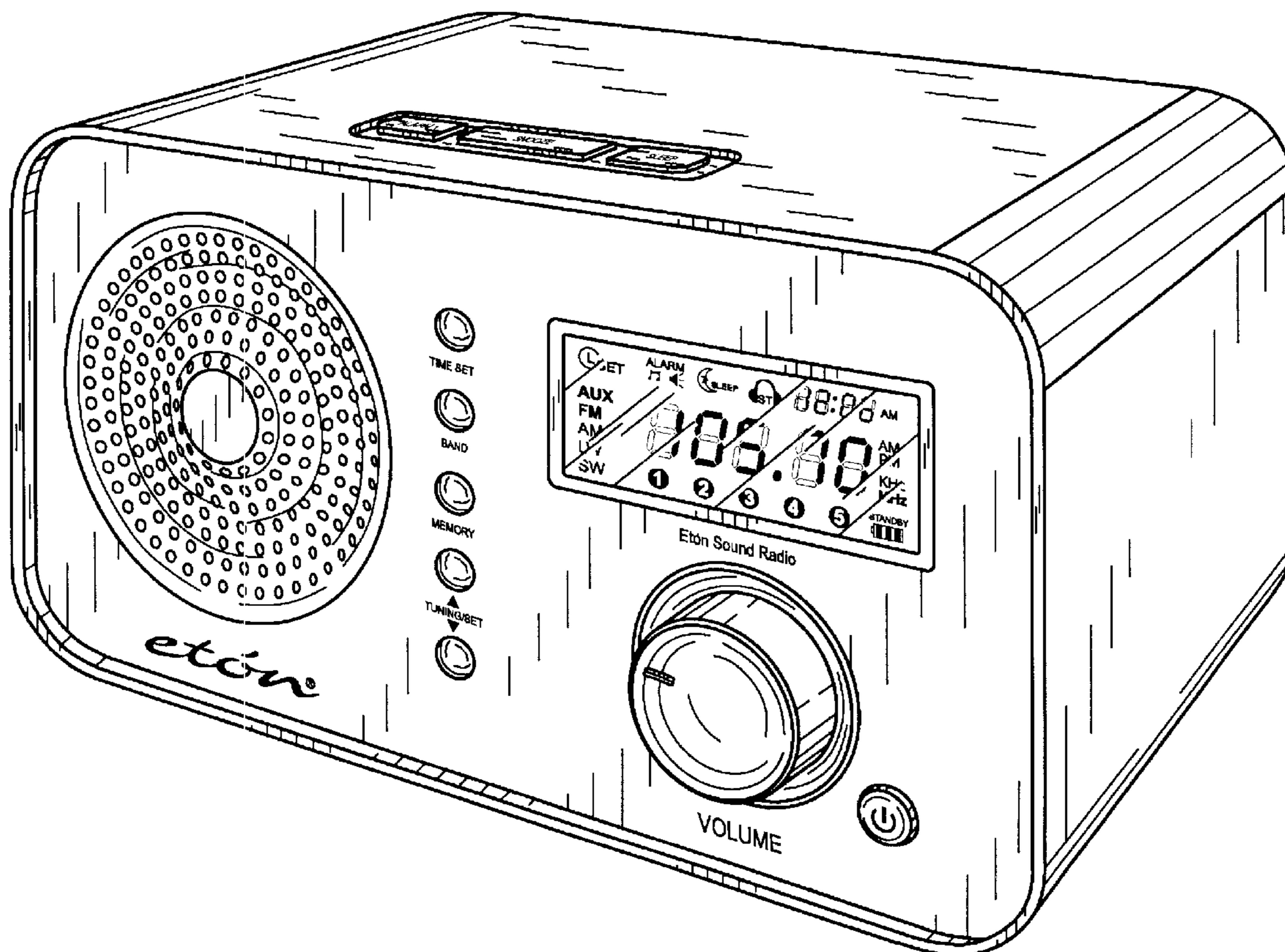
FIG. 4 is a top view thereof;

FIG. 5 is a bottom view thereof;

FIG. 6 is a left side view thereof; and,

FIG. 7 is a right side view thereof.

1 Claim, 7 Drawing Sheets



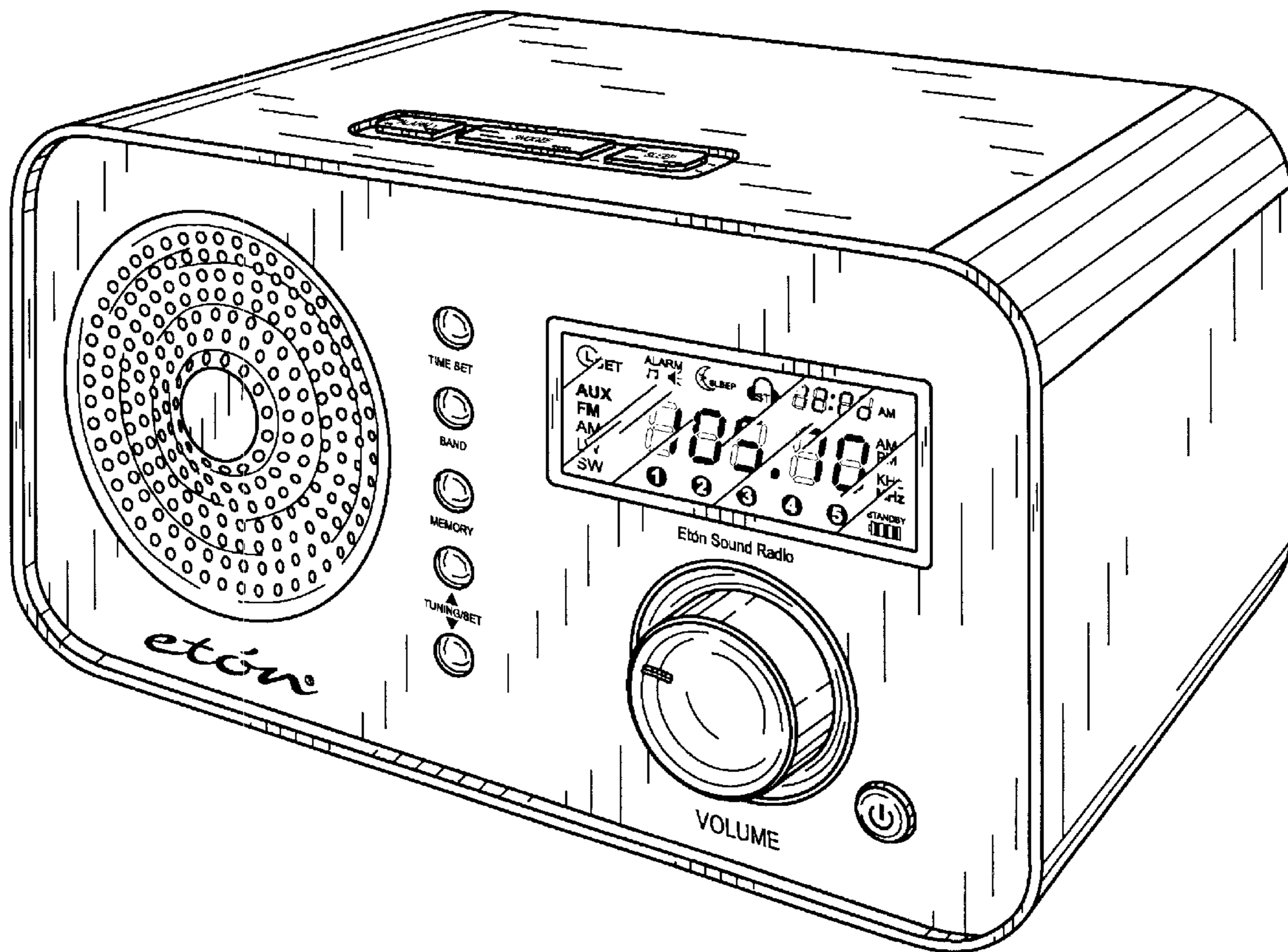


FIG. 1

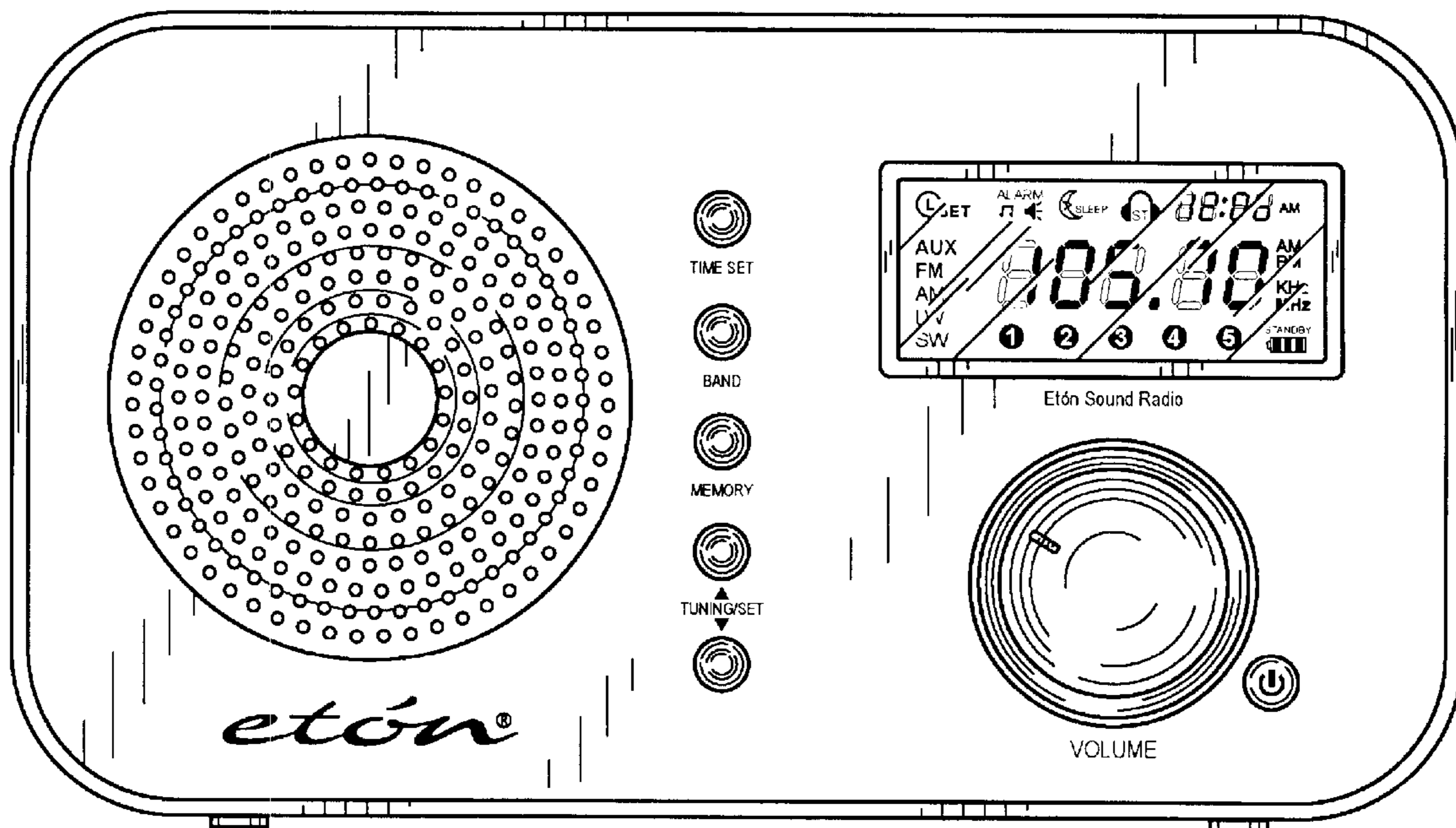


FIG. 2

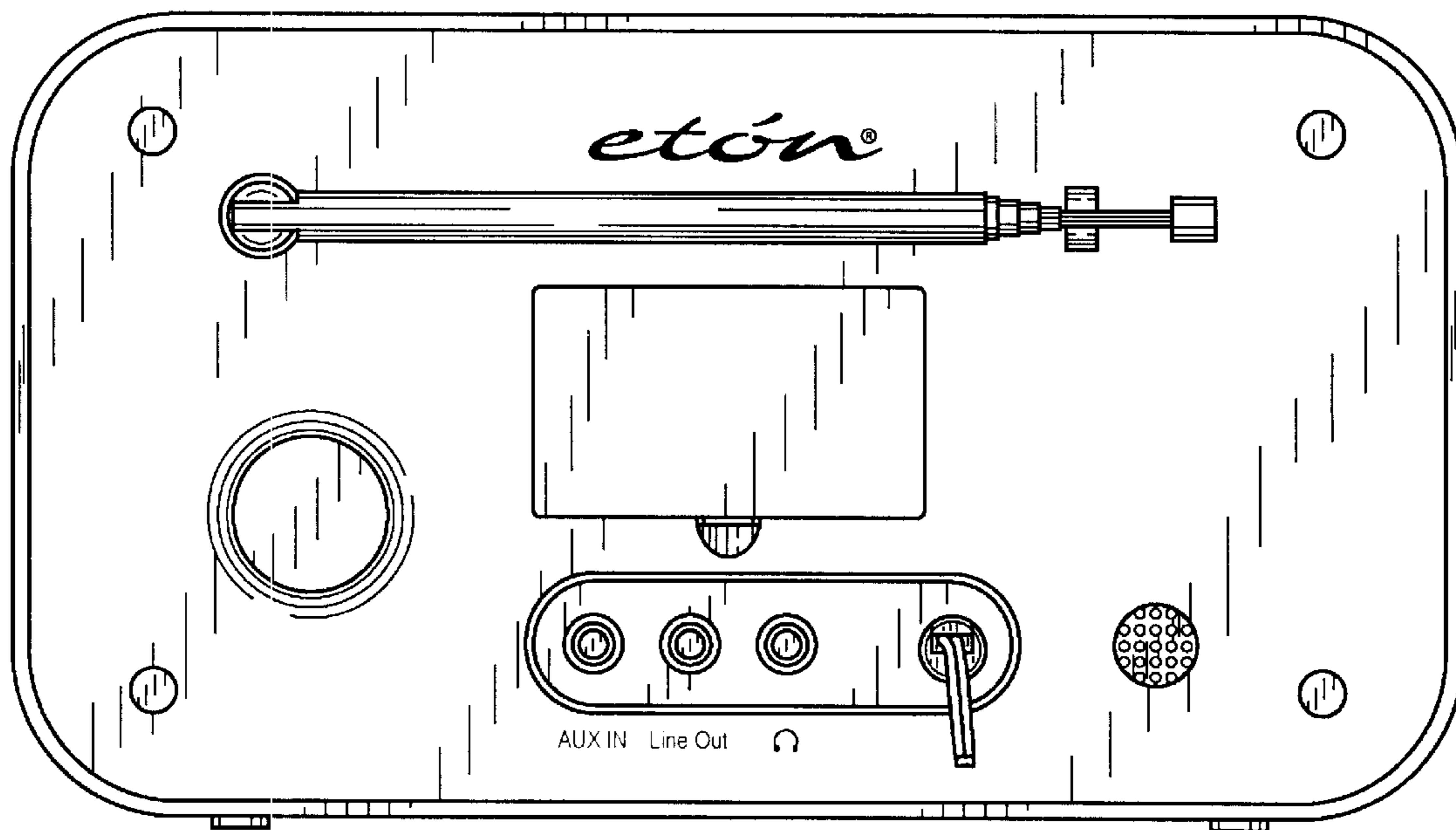


FIG. 3

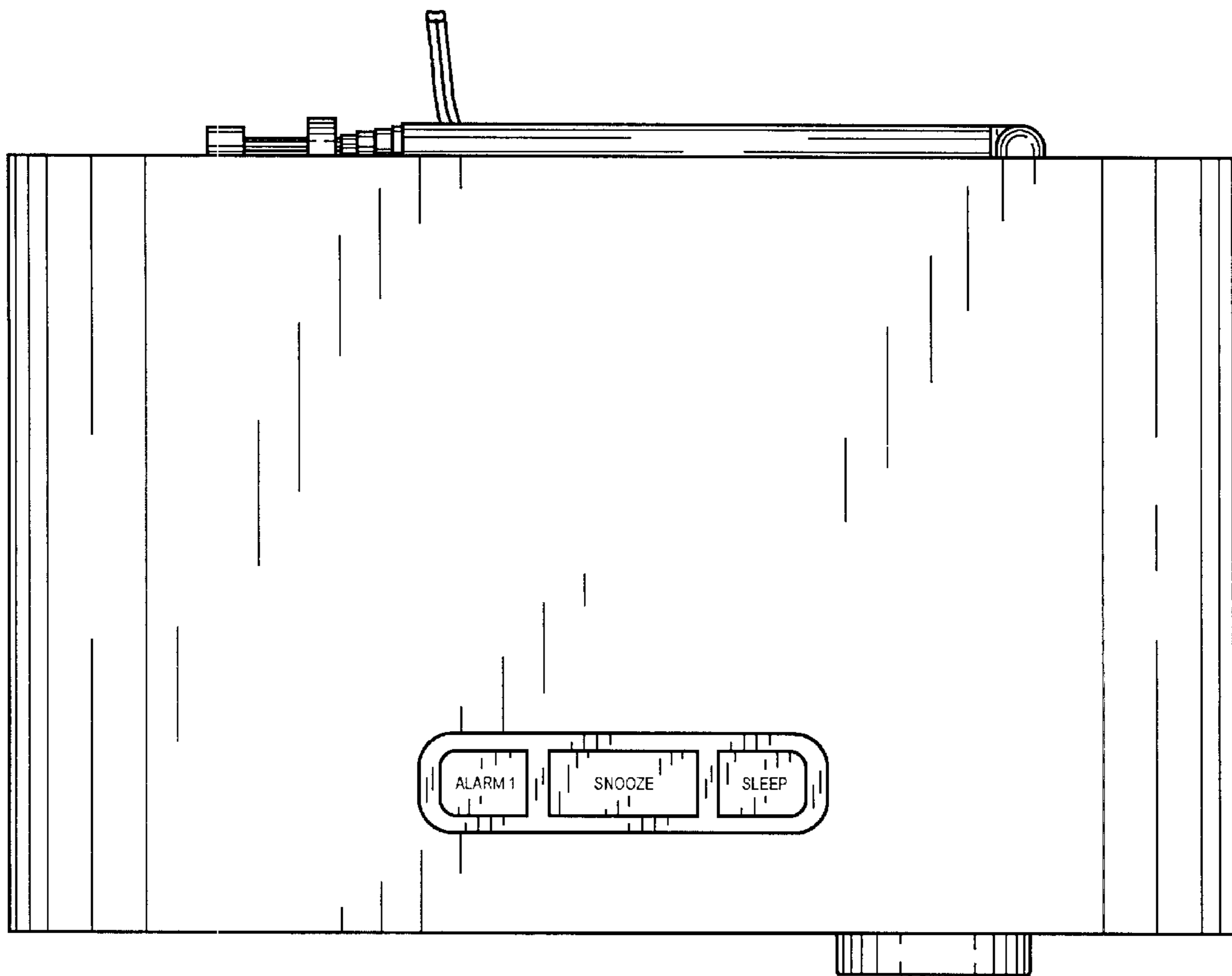


FIG. 4

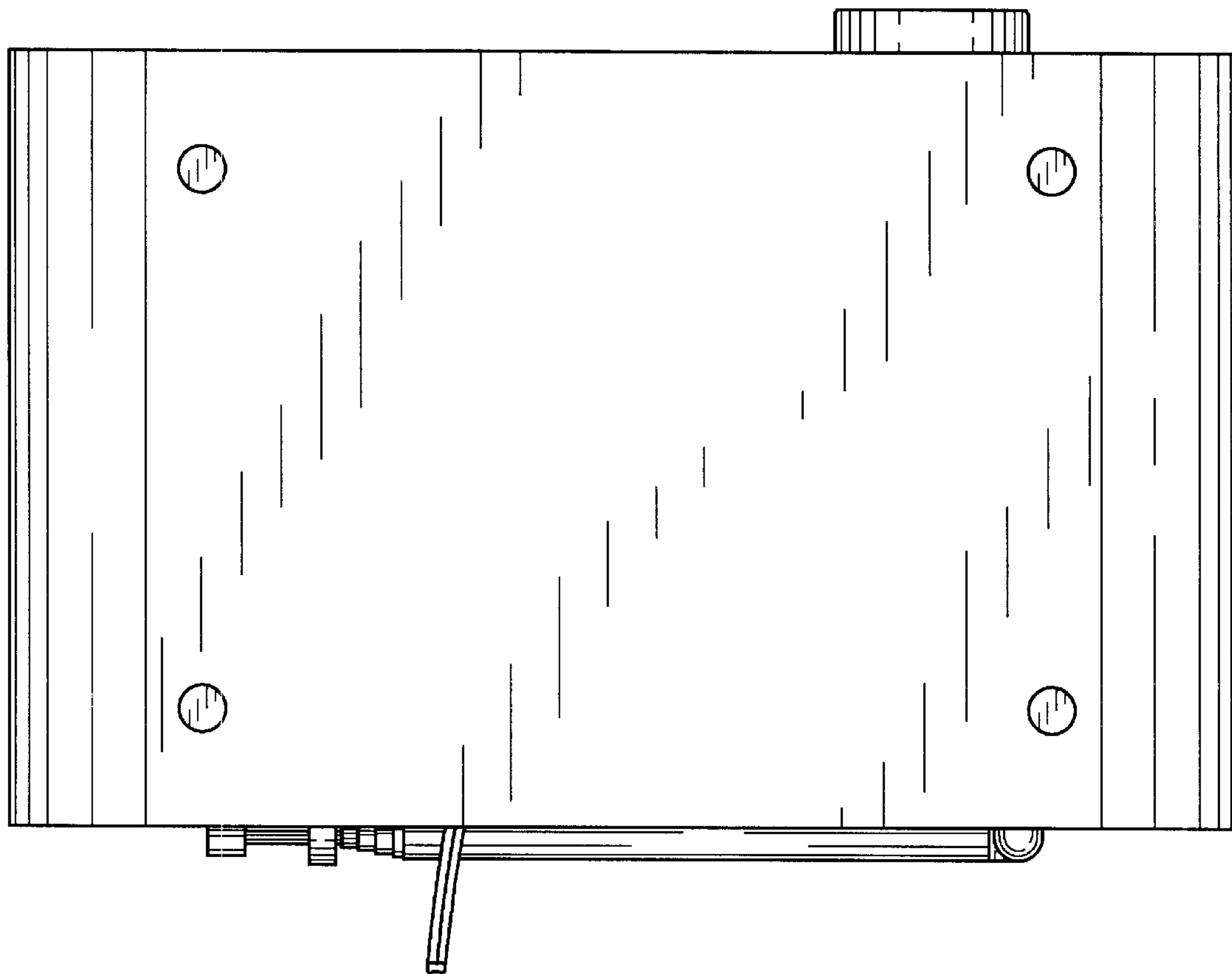


FIG. 5

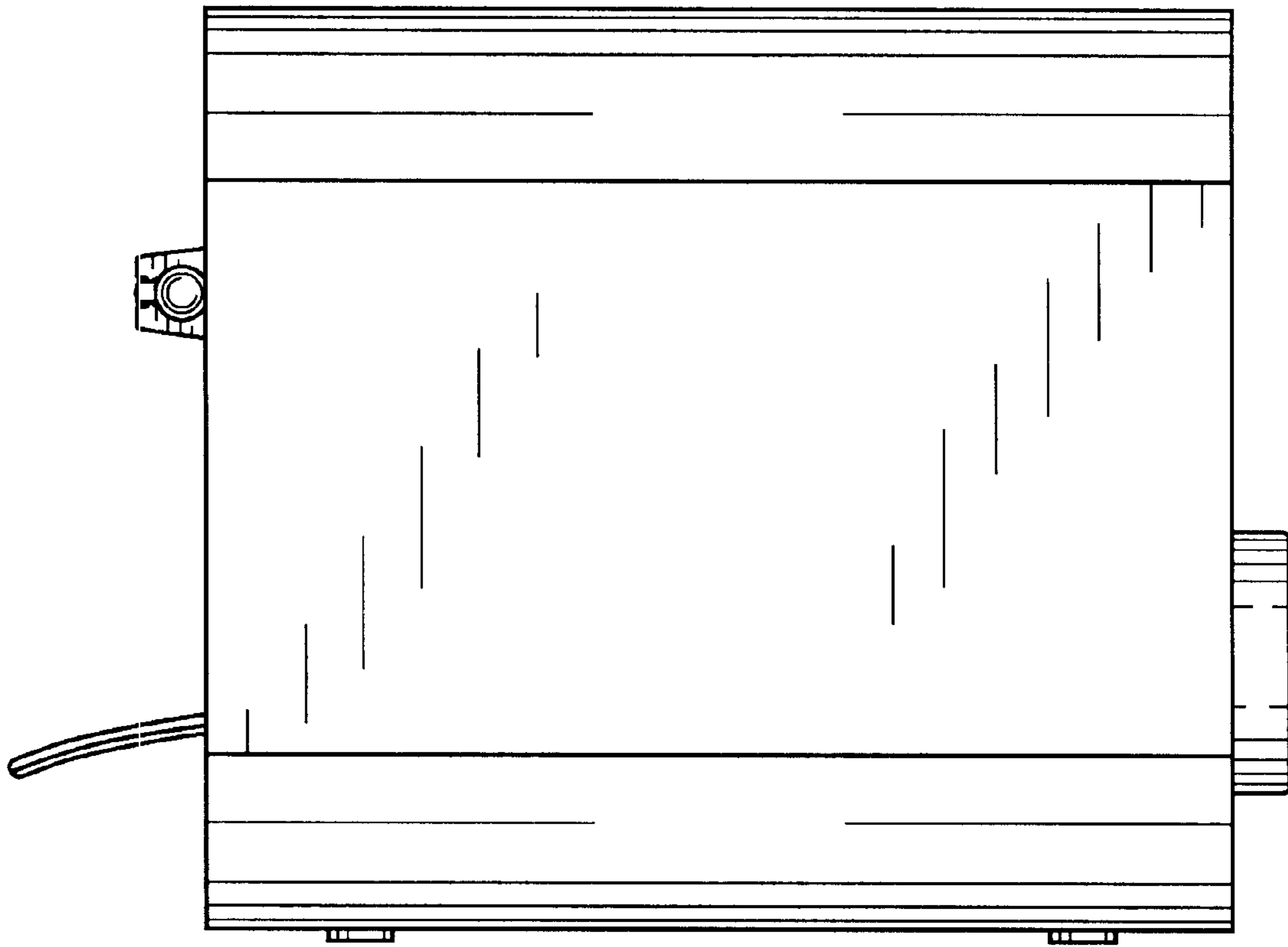


FIG. 6

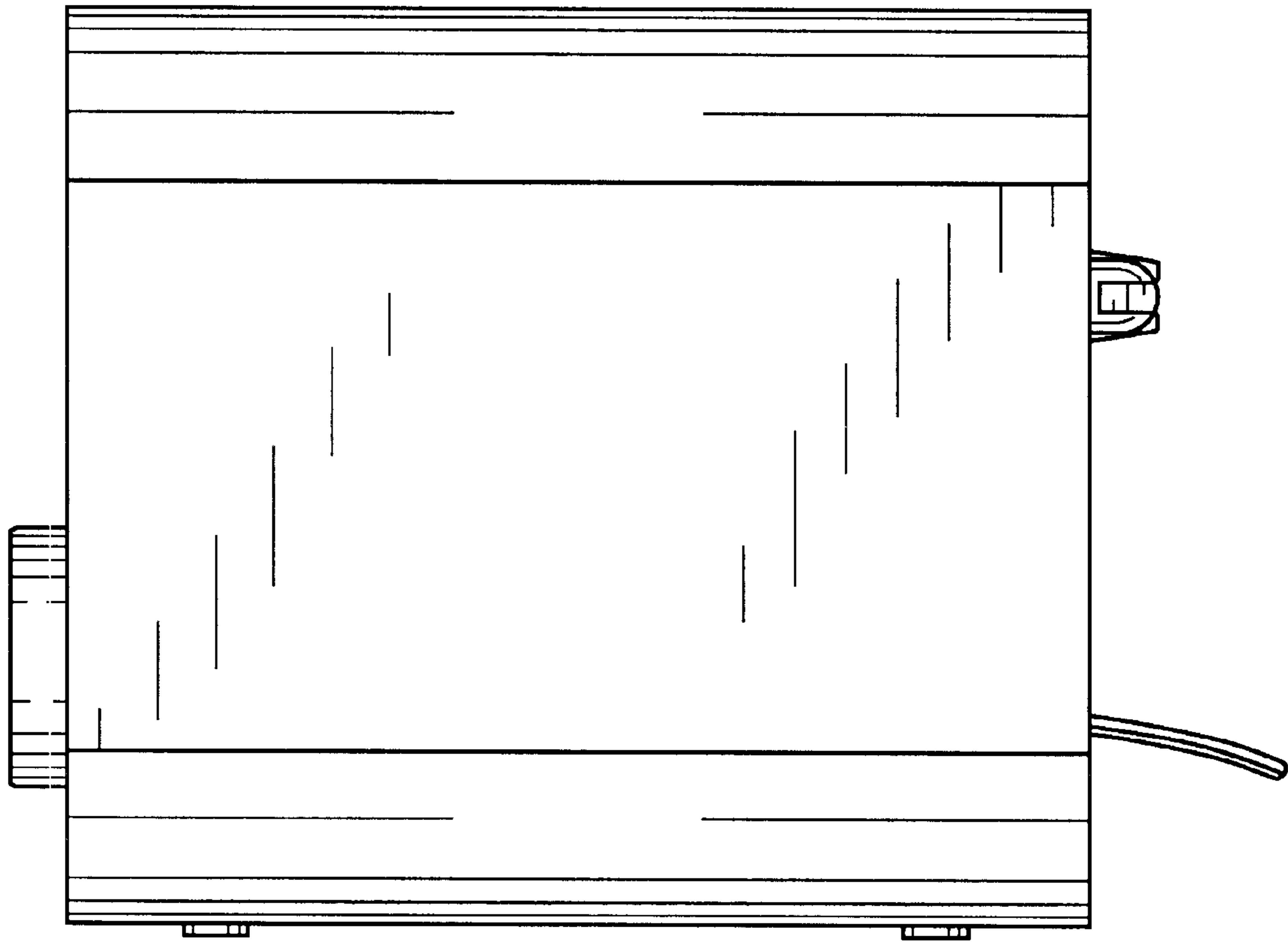


FIG. 7