

US00D540297S

(12) **United States Design Patent**
Kim et al.

(10) **Patent No.:** **US D540,297 S**

(45) **Date of Patent:** **** Apr. 10, 2007**

(54) **TERMINAL FOR A/V**

(75) Inventors: **Hye Jeong Kim**, Seoul (KR); **Jong Gun Lee**, Kyungki-do (KR); **Sung We Park**, Seoul (KR)

(73) Assignee: **Samsung Electronics Co., Ltd.** (KR)

(**) Term: **14 Years**

(21) Appl. No.: **29/244,544**

(22) Filed: **Dec. 9, 2005**

(30) **Foreign Application Priority Data**

Sep. 6, 2005 (KR) 30-2005-0030182

(51) **LOC (8) Cl.** **14-03**

(52) **U.S. Cl.** **D14/188; D14/265**

(58) **Field of Classification Search** D14/188-198,
D14/156, 157, 168, 169, 265, 137; 455/344-351,
455/3.06; 370/464, 480, 493, 901, 916; 369/1-12;
381/119-121

See application file for complete search history.

(56) **References Cited**

U.S. PATENT DOCUMENTS

4,940,414	A	*	7/1990	Lee	439/131
5,177,730	A	*	1/1993	Utsugi	720/646
5,862,468	A	*	1/1999	Kim	455/321
D418,136	S	*	12/1999	Kizawa	D14/188
6,028,945	A	*	2/2000	Gayle	381/120
D435,031	S	*	12/2000	Uchiyama	D14/156

D445,099	S	*	7/2001	Benders	D14/135
D462,951	S	*	9/2002	Storti et al.	D14/257
6,631,276	B1	*	10/2003	Yamaguchi et al.	455/561
D489,355	S	*	5/2004	Yeh	D14/188
D497,152	S	*	10/2004	Yeh	D14/188
D506,457	S	*	6/2005	Hisatsune	D14/168
D516,055	S	*	2/2006	Chen et al.	D14/188

* cited by examiner

Primary Examiner—Prabhakar Deshmukh

(74) *Attorney, Agent, or Firm*—Irving Keschner

(57) **CLAIM**

The ornamental design for terminal for A/V, as shown.

DESCRIPTION

FIG. 1 is a perspective view of the ornamental design of the present invention;

FIG. 2 is a front elevational view of the ornamental design of the present invention;

FIG. 3 is a rear elevational view of the ornamental design of the present invention;

FIG. 4 is a left side elevational view of the ornamental design of the present invention, the right side elevational view being a mirror image thereof;

FIG. 5 is a right side elevational view of the ornamental design of the present invention;

FIG. 6 is a top plan view of the ornamental design of the present invention; and,

FIG. 7 is a bottom view of the ornamental design of the present invention.

1 Claim, 5 Drawing Sheets

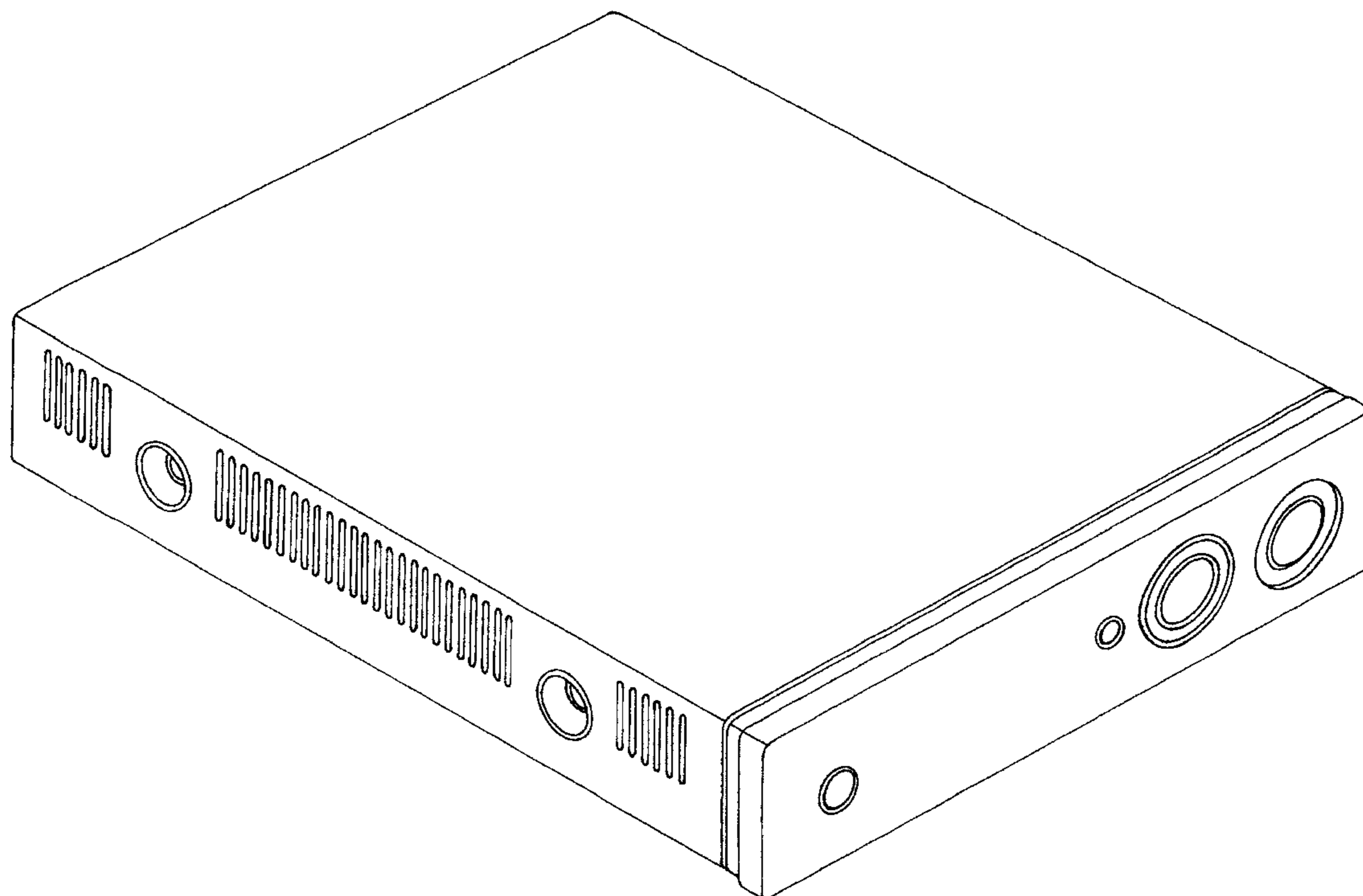


FIG. 1

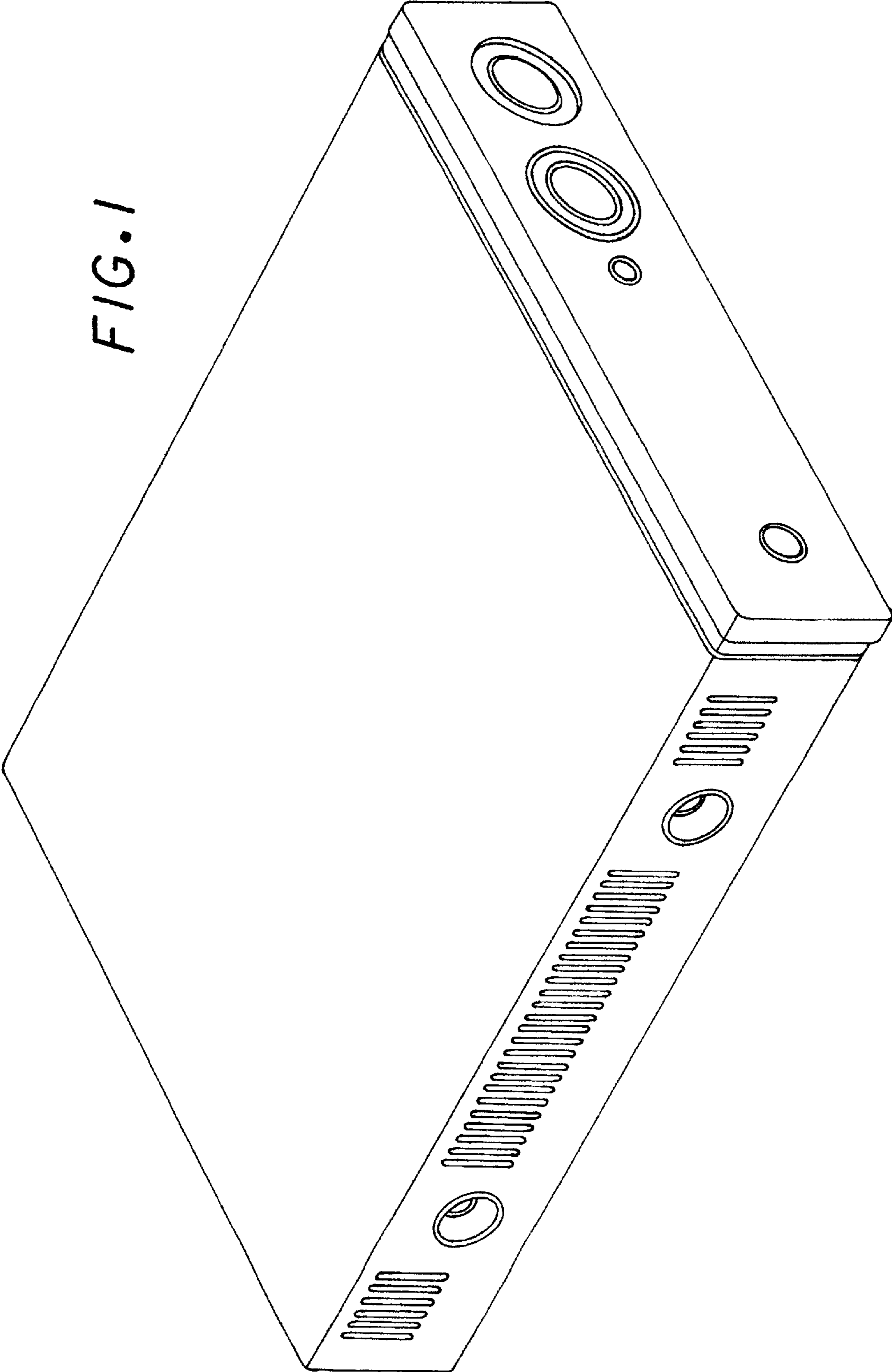


FIG. 2

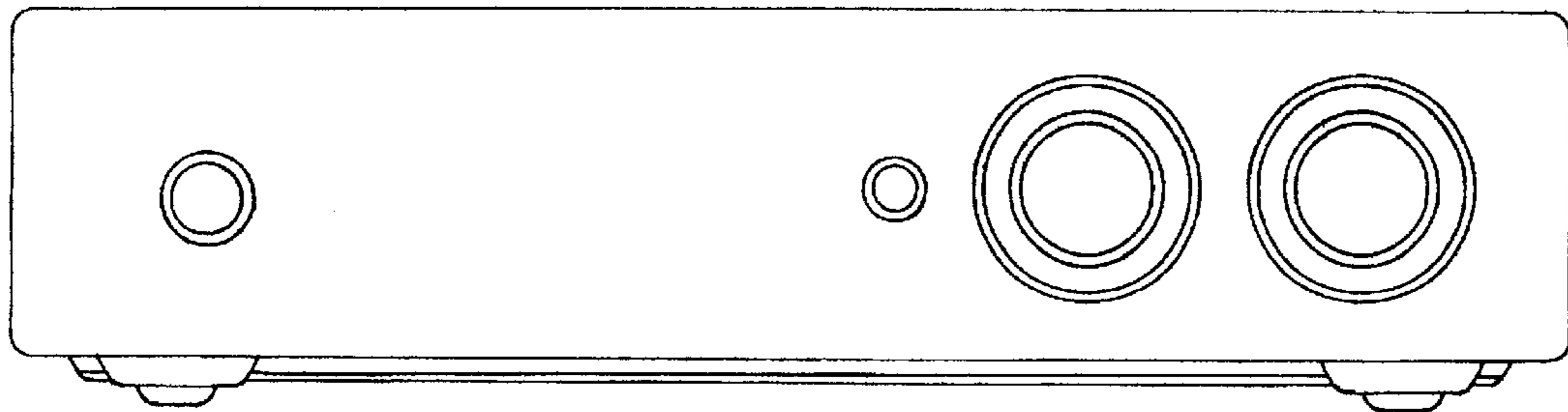


FIG. 3

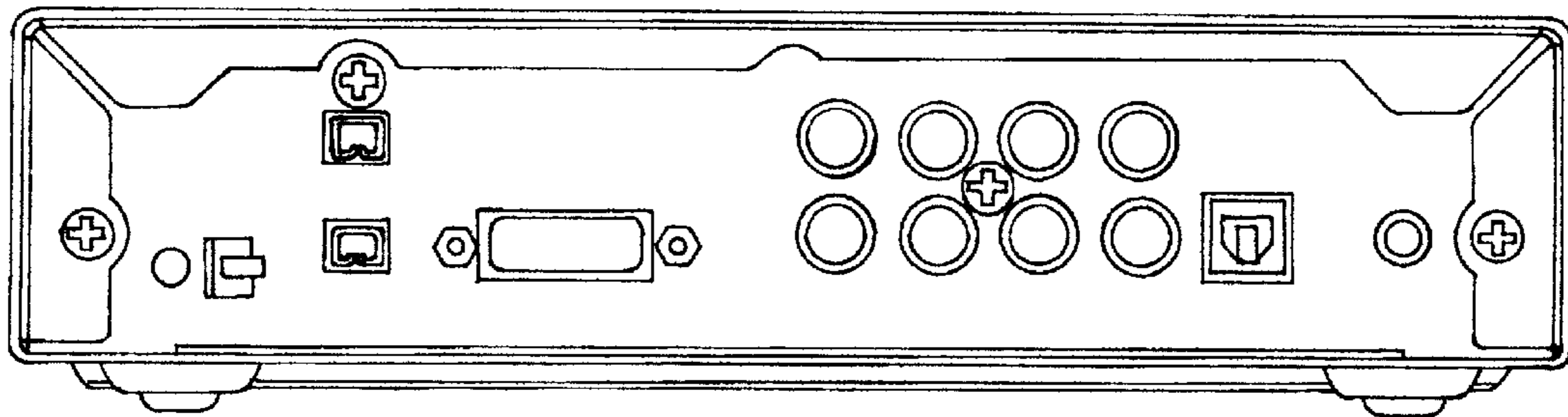


FIG. 4

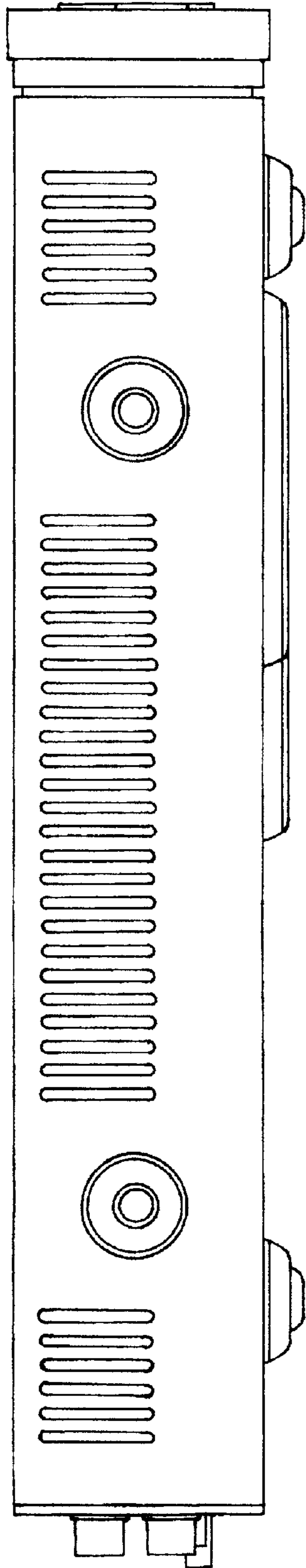


FIG. 5

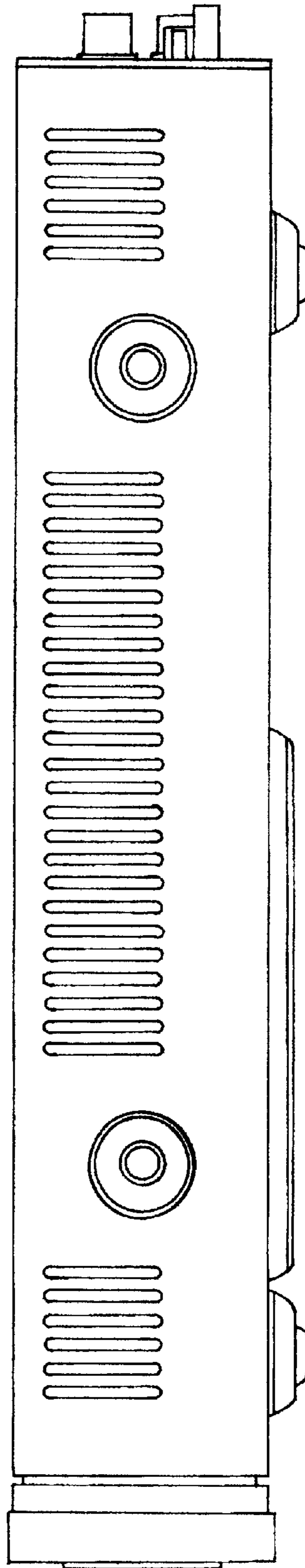


FIG. 6

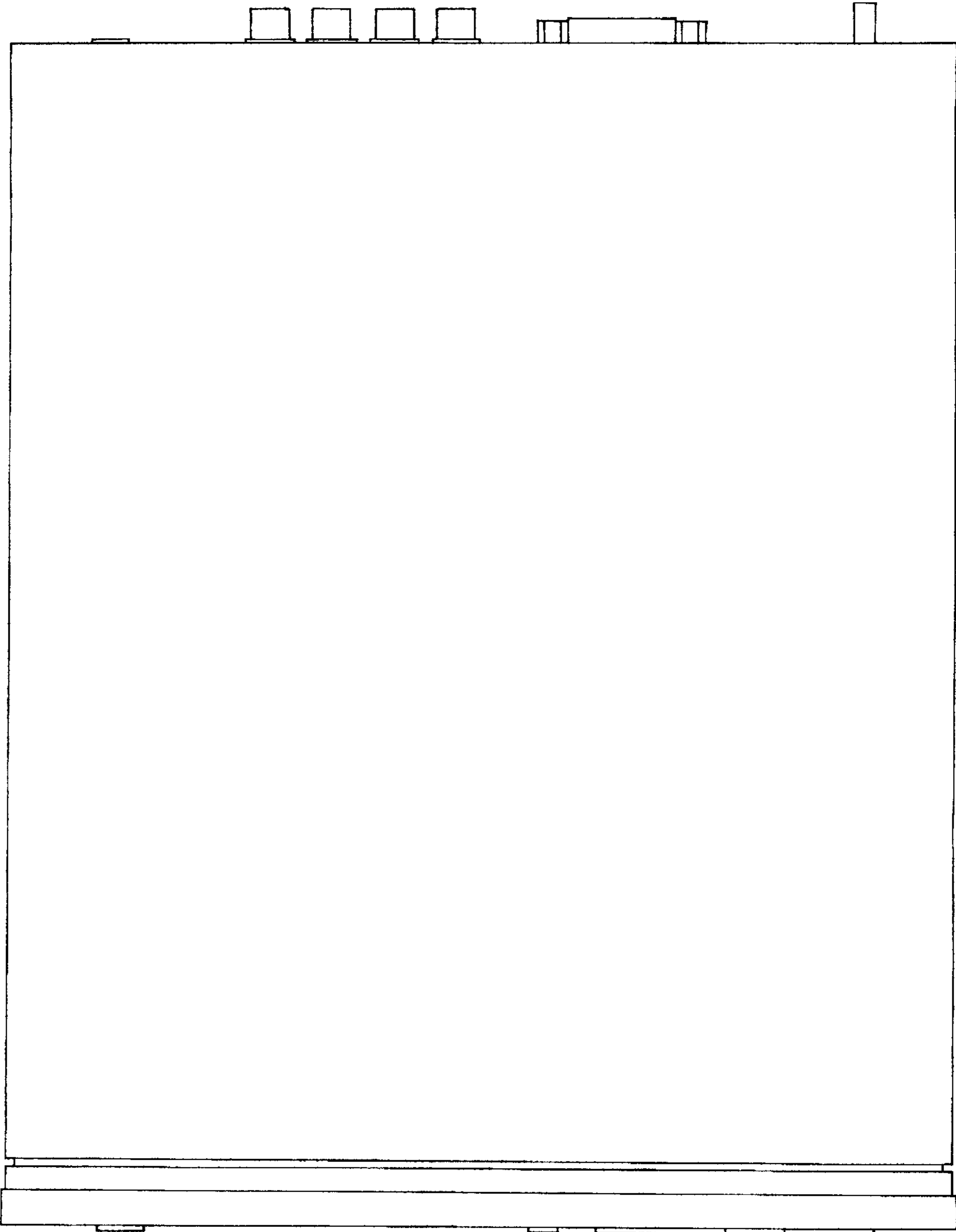


FIG. 7

