



US00D540295S

(12) **United States Design Patent**  
**Zeitman**

(10) **Patent No.:** **US D540,295 S**

(45) **Date of Patent:** **\*\* \*Apr. 10, 2007**

(54) **CD PLAYER**

(75) Inventor: **Josh Zeitman**, Brooklyn, NY (US)

(73) Assignee: **Lenoxx Electronics Corp.**, Brooklyn, NY (US)

(\*) Notice: This patent is subject to a terminal disclaimer.

(\*\*) Term: **14 Years**

(21) Appl. No.: **29/239,556**

(22) Filed: **Oct. 3, 2005**

(51) **LOC (8) Cl.** ..... **14-01**

(52) **U.S. Cl.** ..... **D14/156**

(58) **Field of Classification Search** ..... D14/156-157,  
D14/160-165, 167-168, 171, 192-198, 496;  
360/99.02, 99.07; 369/75.11, 75.21, 77.21,  
369/77.11; 720/612, 619, 647, 655; 455/344,  
455/347-351

See application file for complete search history.

(56) **References Cited**

**U.S. PATENT DOCUMENTS**

D471,885 S \* 3/2003 Wada ..... D14/156

D472,541 S \* 4/2003 Yoshiyama ..... D14/156

D504,122 S \* 4/2005 Zeitman ..... D14/156

D505,936 S \* 6/2005 Zeitman ..... D14/156

D511,762 S \* 11/2005 Zeitman ..... D14/156

D512,400 S \* 12/2005 Zeitman ..... D14/156

\* cited by examiner

*Primary Examiner*—Nanda Bondade

(74) *Attorney, Agent, or Firm*—Buchanan Ingersoll & Rooney PC

(57) **CLAIM**

The ornamental design for a “CD player”, mas shown and described.

**DESCRIPTION**

FIG. 1 is a top view of a “CD player” showing my new design;

FIG. 2 is a bottom view thereof;

FIG. 3 is a left side view thereof;

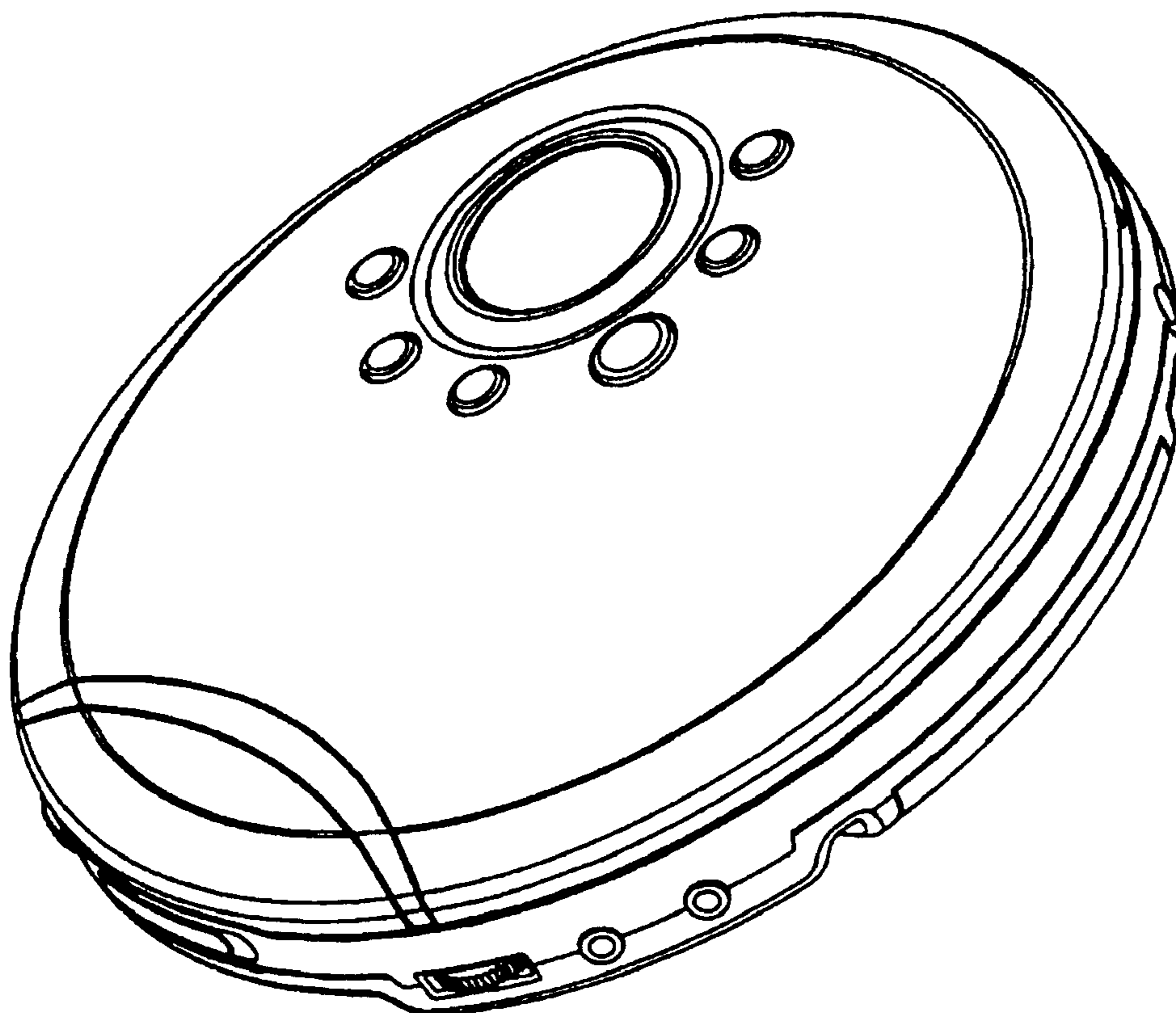
FIG. 4 is a right side view thereof;

FIG. 5 is a back view thereof;

FIG. 6 is a front view thereof; and,

FIG. 7 is a perspective view thereof.

**1 Claim, 3 Drawing Sheets**



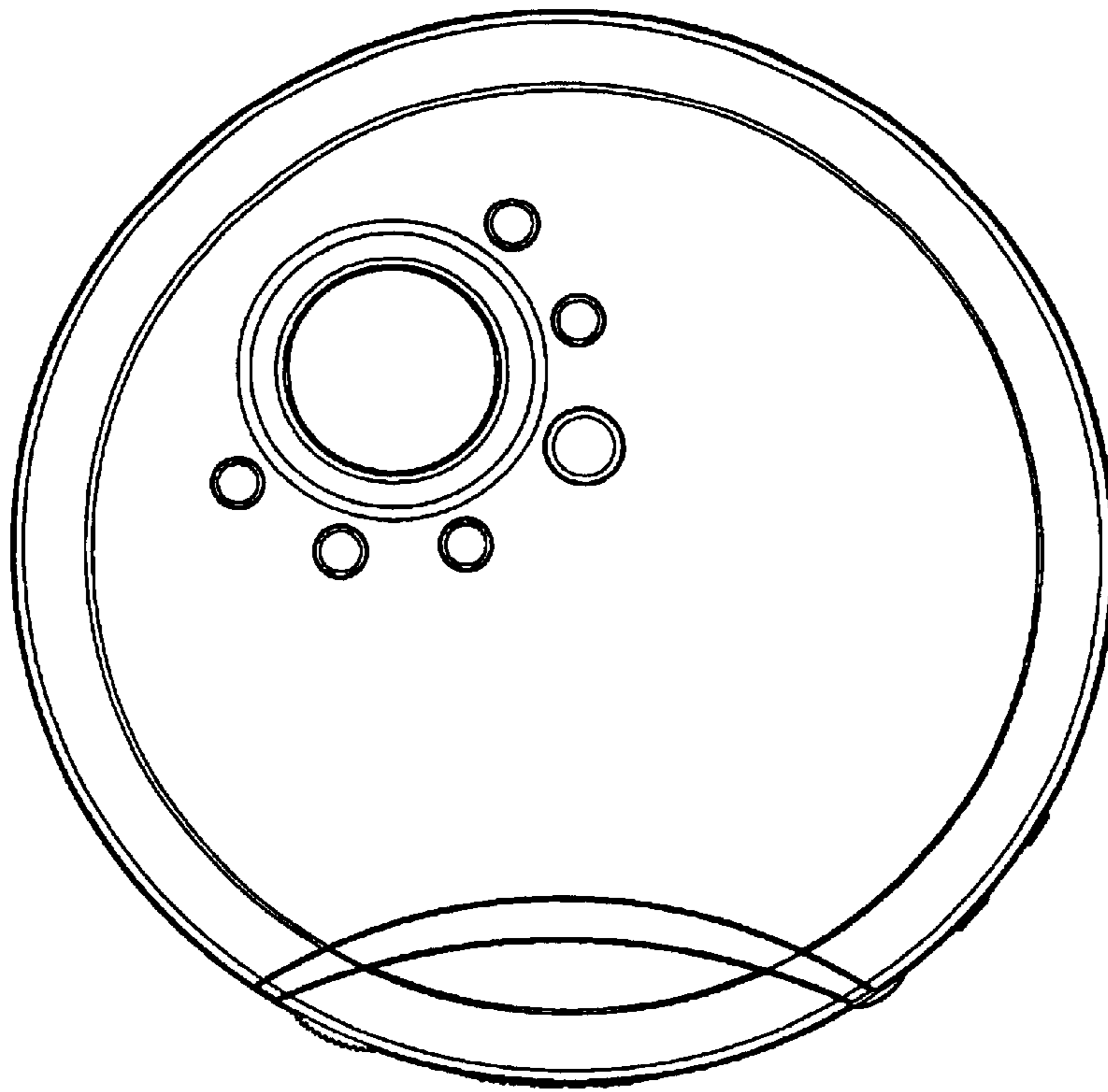


Fig. 1

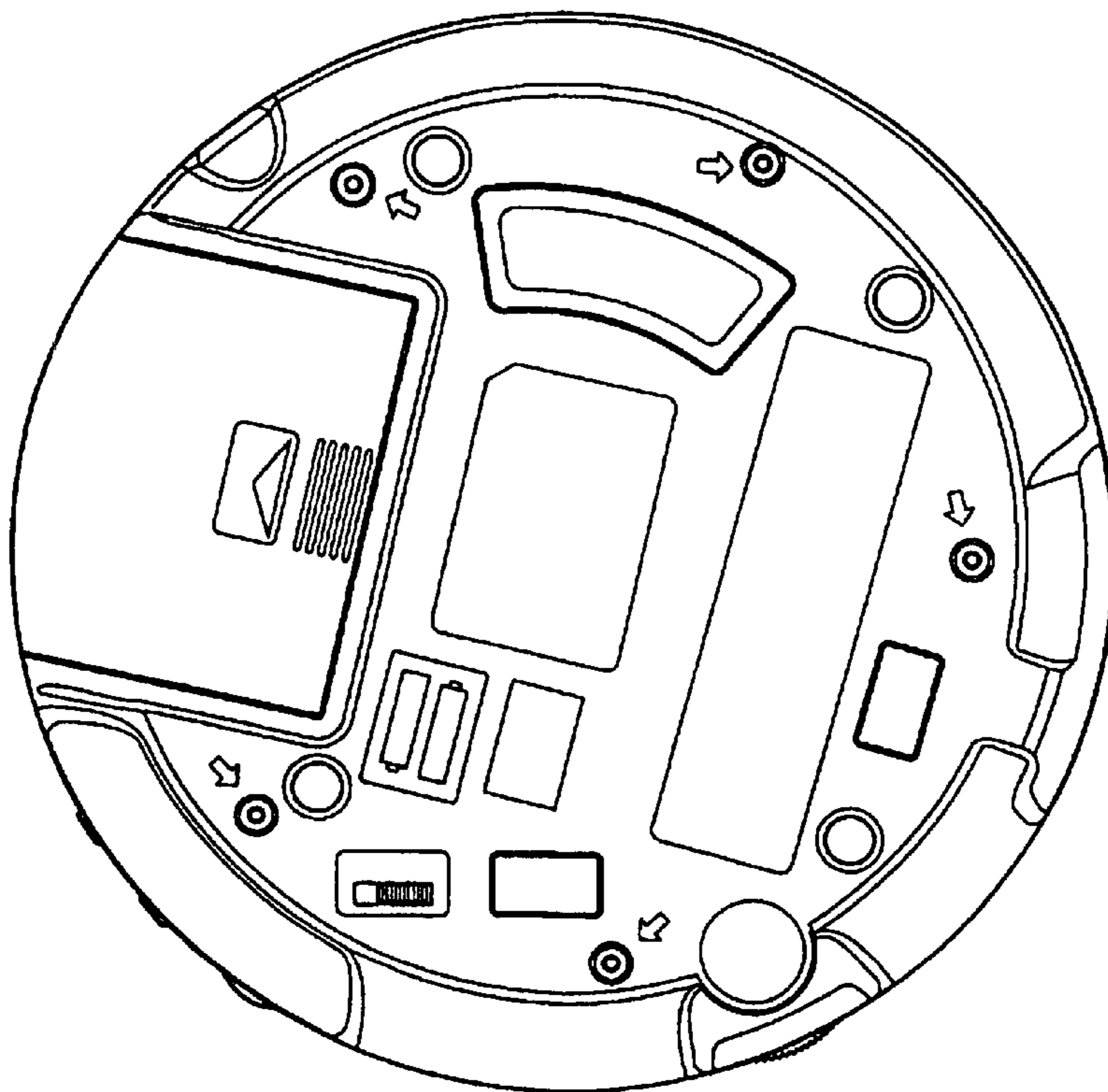


Fig. 2

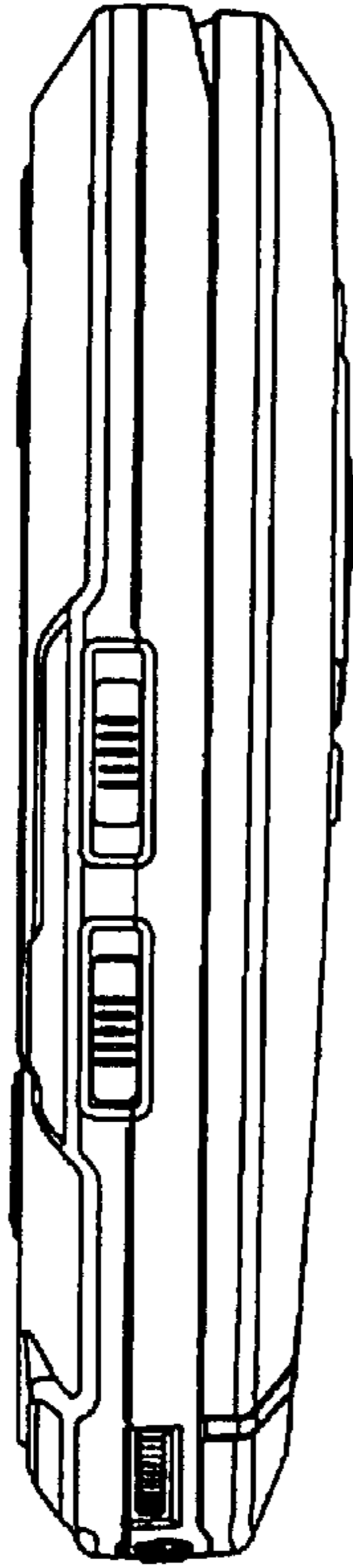


Fig. 3

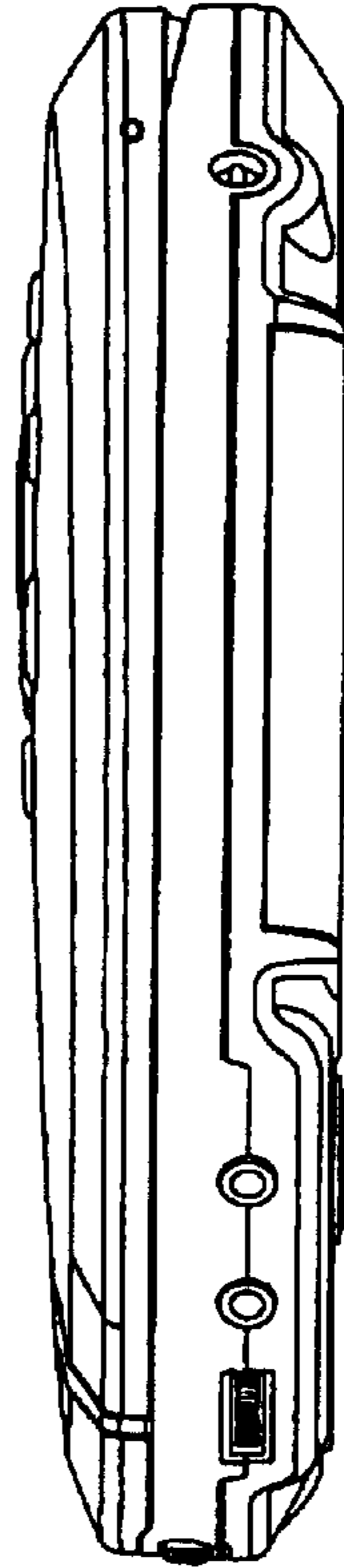


Fig. 4

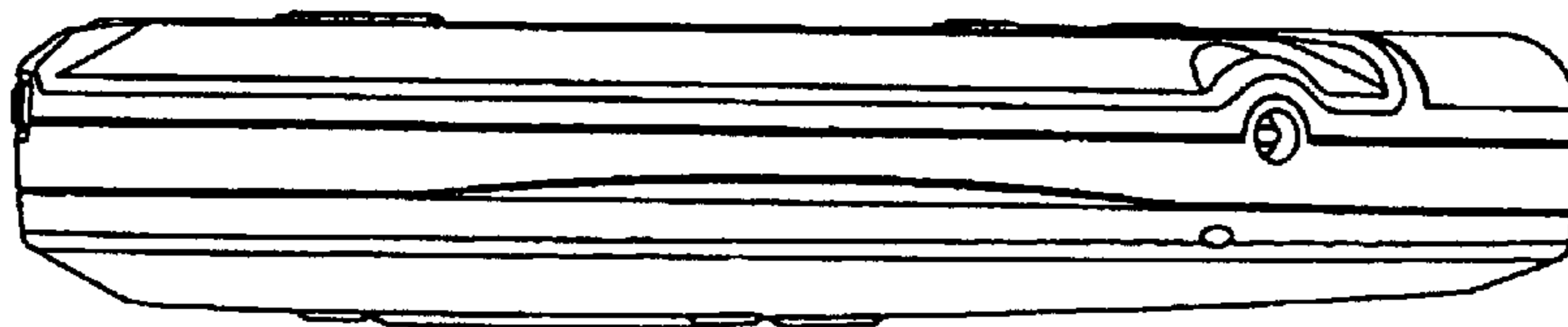


Fig. 5

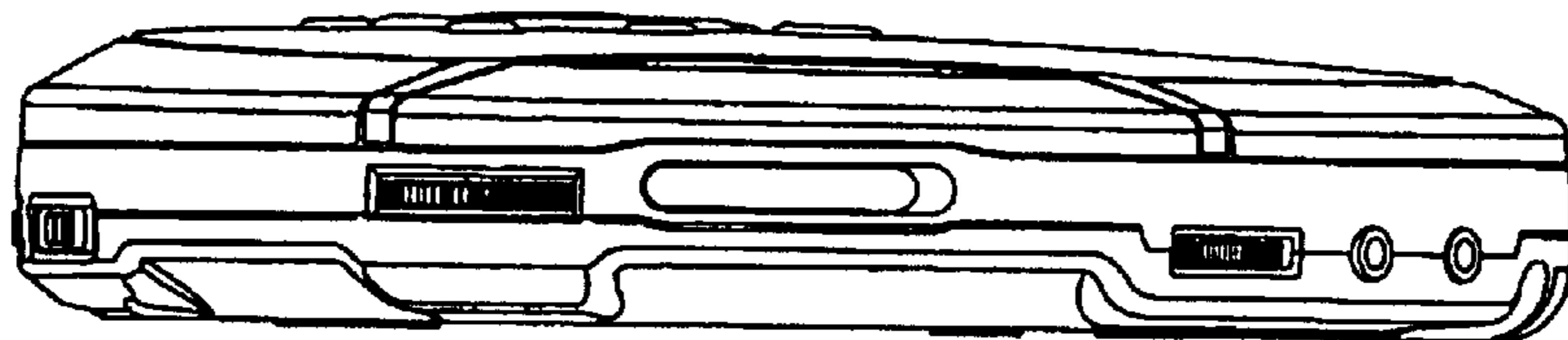


Fig. 6

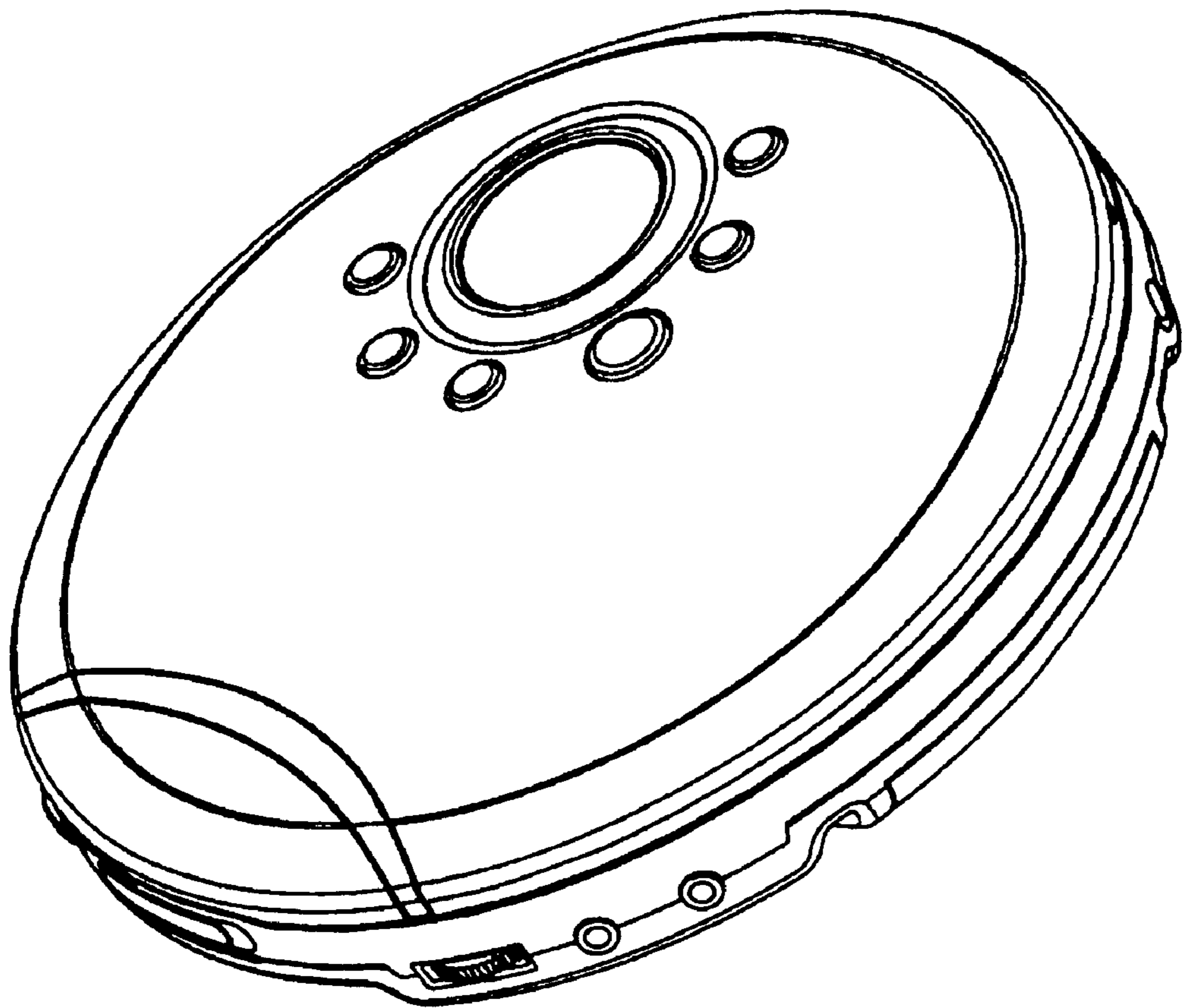


Fig. 7