



US00D540287S

(12) **United States Design Patent**  
**Alexander**

(10) **Patent No.:** **US D540,287 S**

(45) **Date of Patent:** **\*\* Apr. 10, 2007**

(54) **DVD REMOTE SENSOR**

(76) Inventor: **Pauline Alexander**, 1435 Dutch Cover Rd., Canton, NC (US) 28716-5077

(\*\*) Term: **14 Years**

(21) Appl. No.: **29/236,013**

(22) Filed: **Aug. 10, 2005**

(51) **LOC (8) Cl.** ..... **14-01**

(52) **U.S. Cl.** ..... **D14/136; D14/218**

(58) **Field of Classification Search** ..... D14/135-136, D14/156-157, 167-168, 218, 192-198, 445; D10/104; 360/99.02, 99.07; 369/75.11, 75.21, 369/77.21, 77.11; 720/612, 619, 647, 655; 455/344, 347-351

See application file for complete search history.

(56) **References Cited**

**U.S. PATENT DOCUMENTS**

- D362,695 S \* 9/1995 Waldhelm ..... D14/218
- D382,271 S \* 8/1997 Akwiwu ..... D14/218
- D433,675 S 11/2000 Carranco et al.
- D448,741 S 10/2001 Makino et al.
- 6,542,075 B2 4/2003 Barker et al.

- D509,492 S \* 9/2005 Chun-Ting ..... D14/136
- D512,700 S \* 12/2005 Sonoda ..... D14/136
- 2002/0068984 A1 6/2002 Alexander et al.
- 2003/0060280 A1 3/2003 Oles et al.
- 2003/0071724 A1 4/2003 D'Amico
- 2003/0214405 A1 11/2003 Lerg et al.

\* cited by examiner

*Primary Examiner*—Nanda Bondade

(74) *Attorney, Agent, or Firm*—Lawrence J. Gibney, J

(57) **CLAIM**

The ornamental design for DVD remote sensor, as shown and described.

**DESCRIPTION**

FIG. 1 is a front view of a DVD remote sensor showing my new design;

FIG. 2 is a rear view thereof;

FIG. 3 is a right side view thereof;

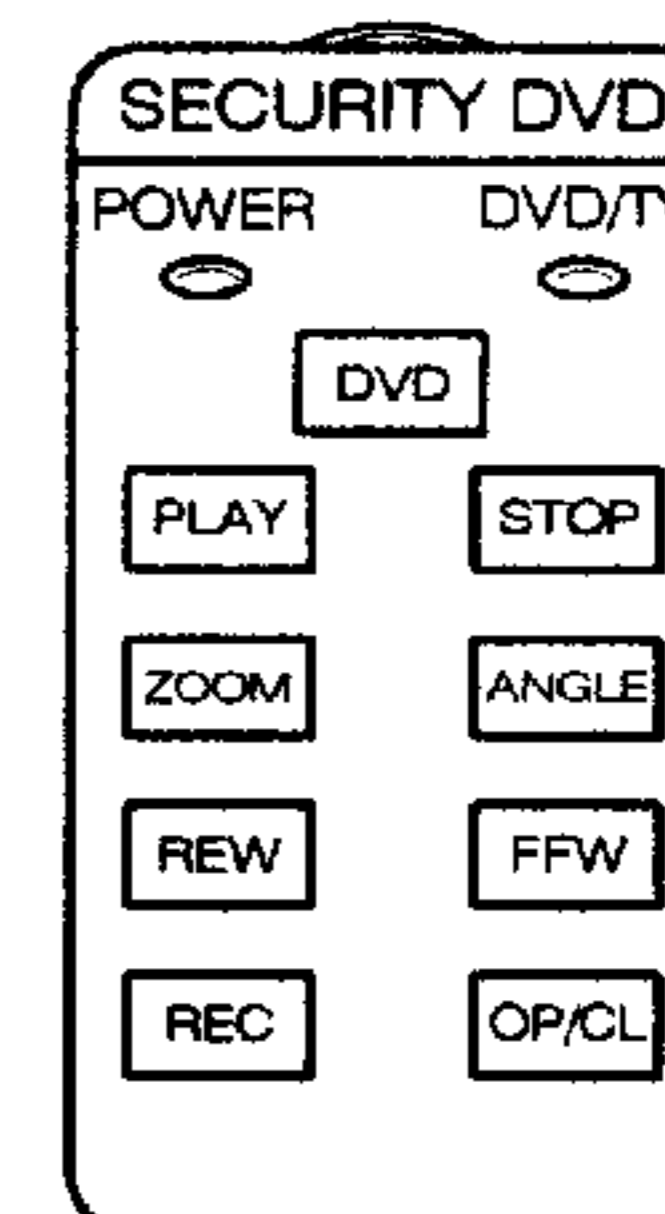
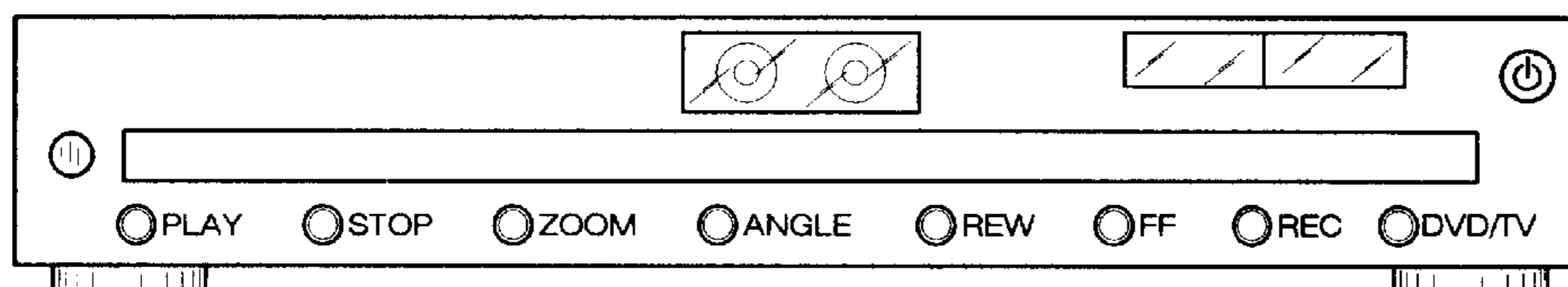
FIG. 4 is a top view thereof;

FIG. 5 is a bottom view thereof;

FIG. 6 is an isometric view thereof; and,

FIG. 7 is a isometric view thereof, with the tray in an open position.

**1 Claim, 5 Drawing Sheets**



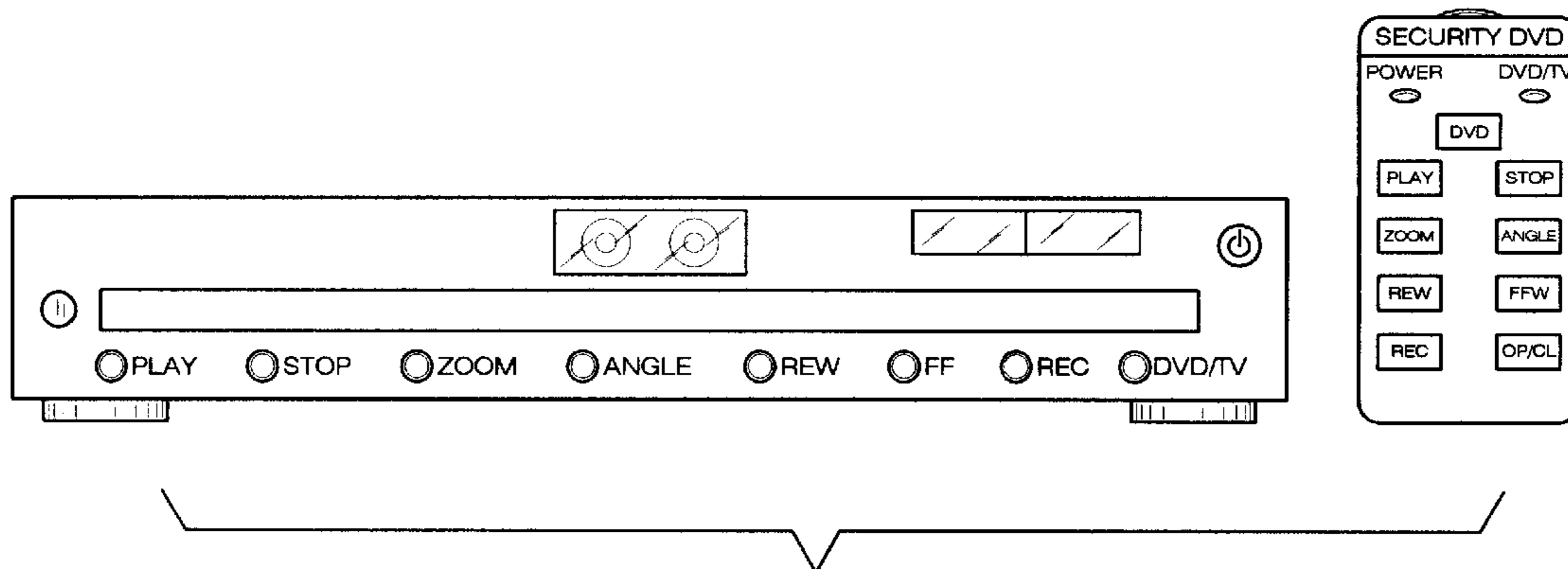


FIG. 1

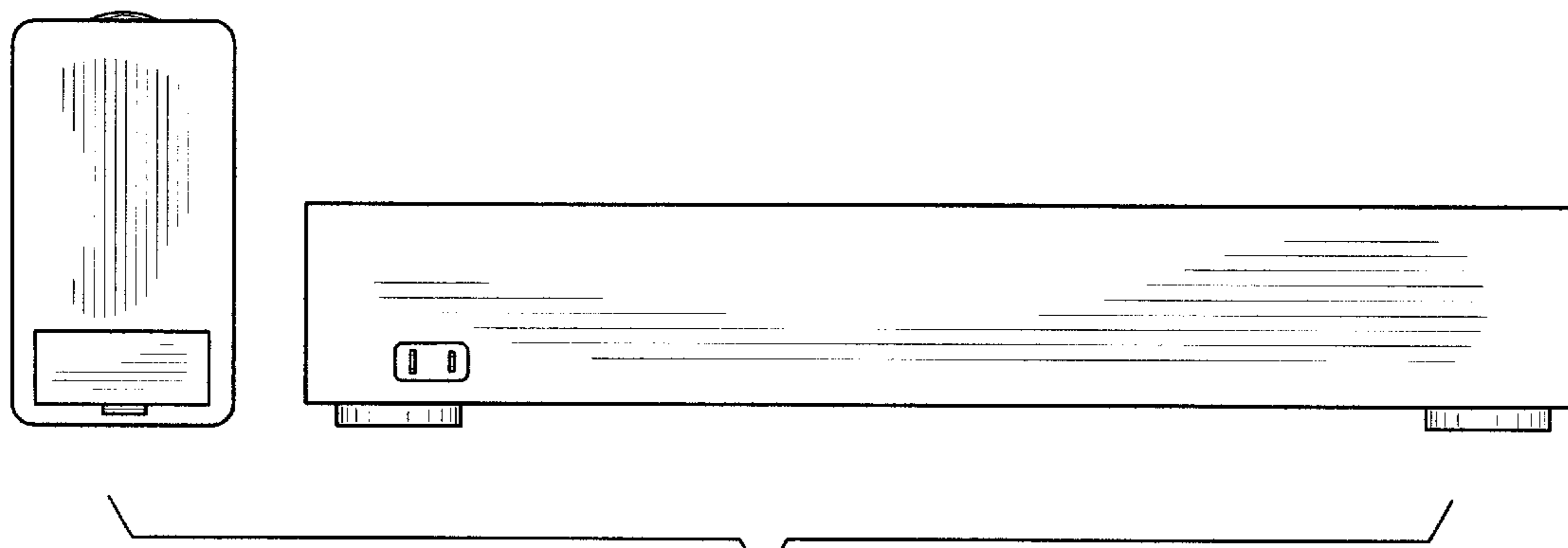


FIG. 2



FIG. 3

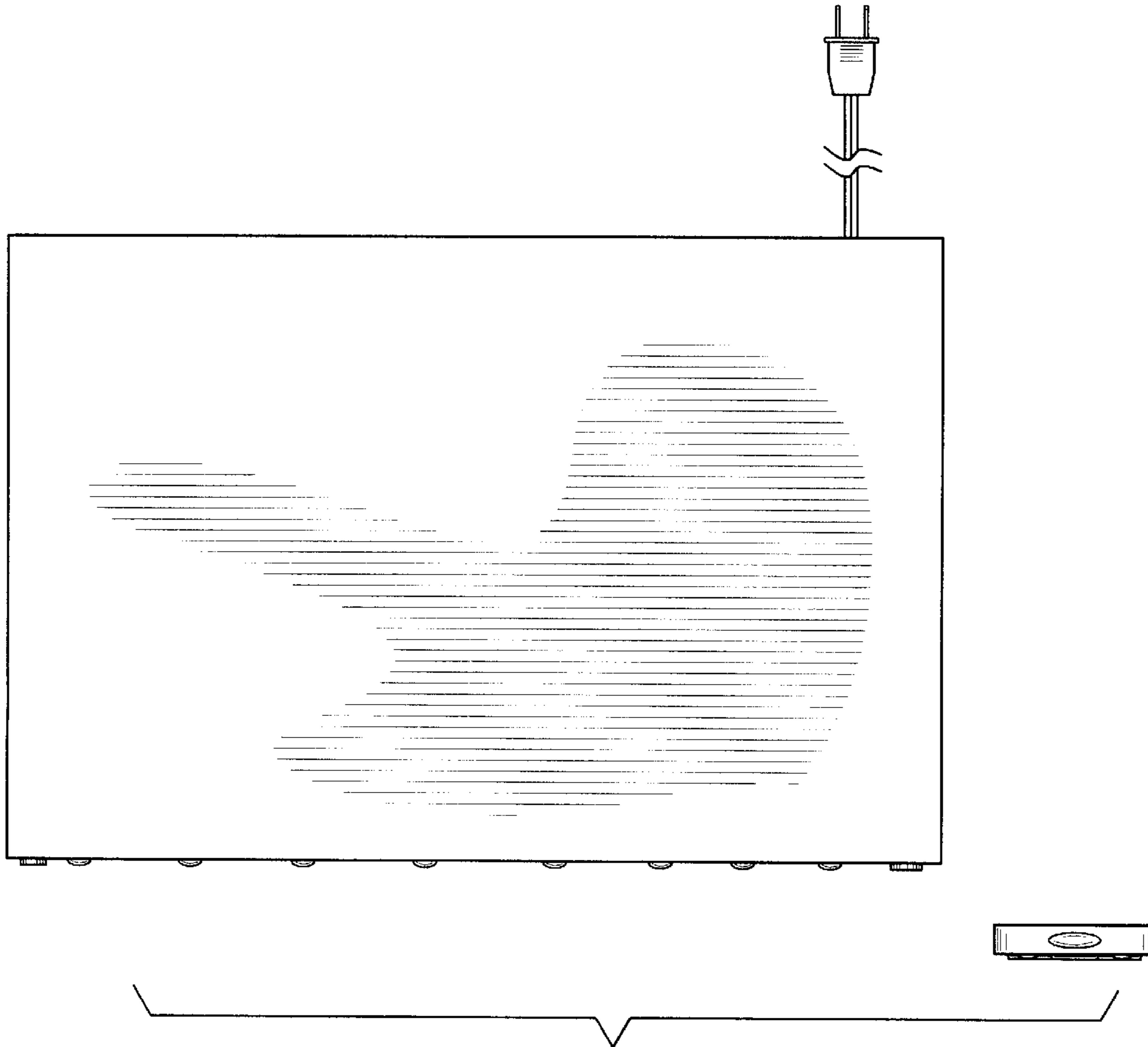


FIG. 4

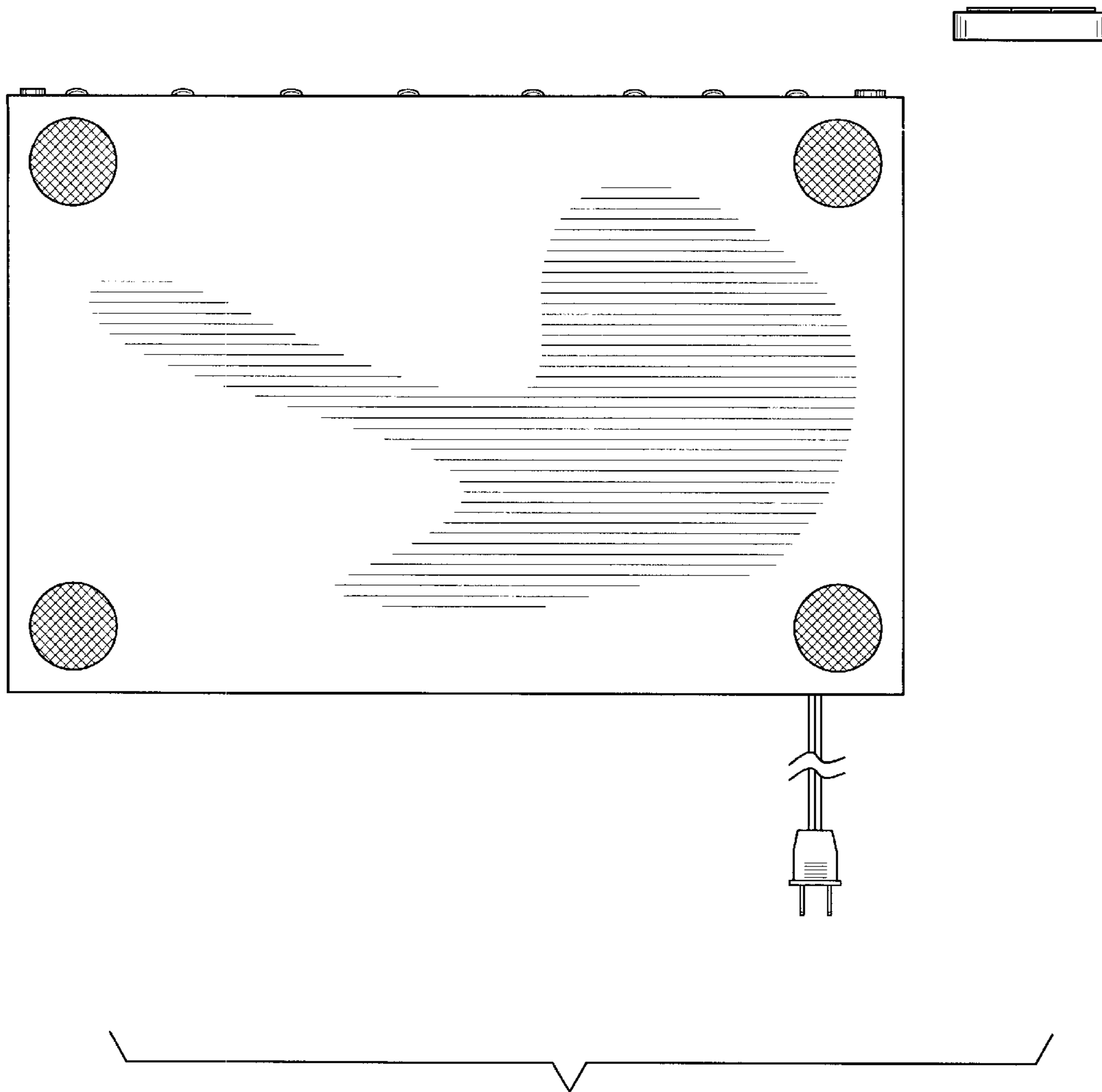


FIG. 5

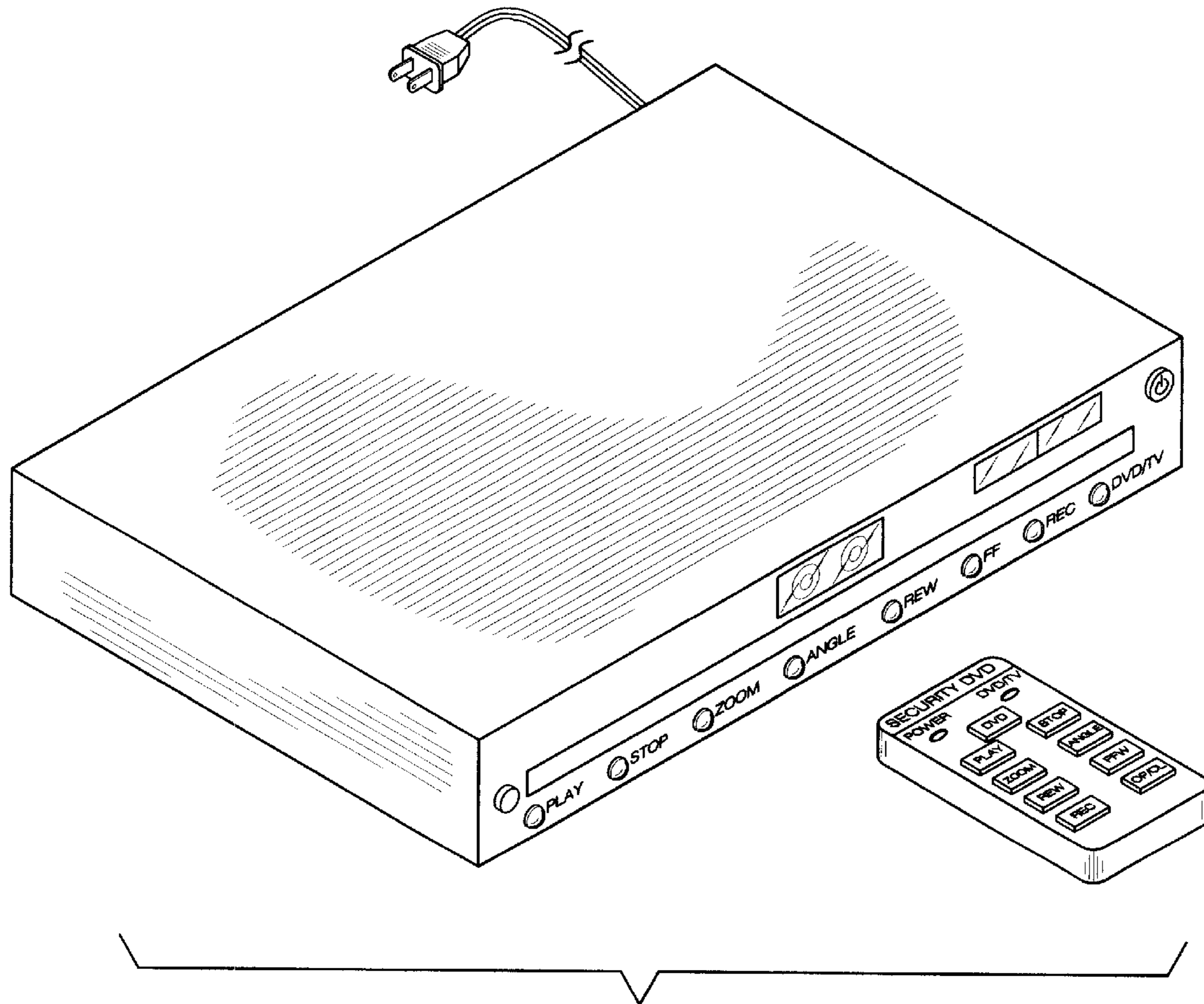


FIG. 6

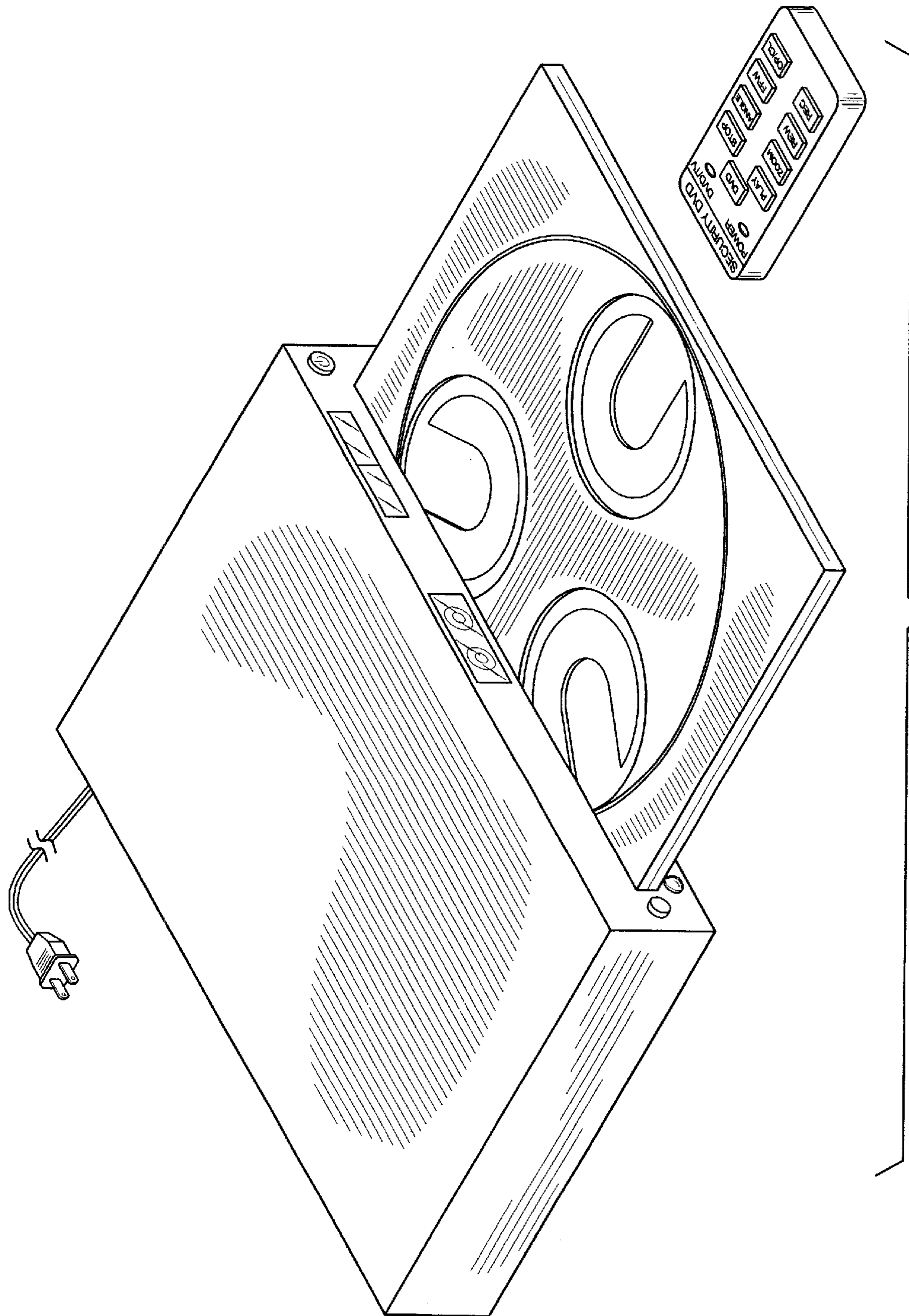


FIG. 7