

US00D540285S

(12) **United States Design Patent**  
**Kita**

(10) **Patent No.:** **US D540,285 S**  
(45) **Date of Patent:** **\*\* Apr. 10, 2007**

(54) **TELEVISION SET**

- (75) Inventor: **Toshiyuki Kita**, Osaka (JP)
- (73) Assignee: **Sharp Kabushiki Kaisha**, Osaka (JP)
- (\*\*) Term: **14 Years**

- (21) Appl. No.: **29/243,703**
- (22) Filed: **Nov. 30, 2005**

(30) **Foreign Application Priority Data**

May 31, 2005 (JP) ..... 2005-015608

- (51) **LOC (8) Cl.** ..... **14-03**
- (52) **U.S. Cl.** ..... **D14/126**
- (58) **Field of Classification Search** ..... D14/125-134,  
D14/239, 371, 136, 374-377; 312/7.2; 348/836,  
348/838, 180, 184, 325, 739; 341/12; 248/917-924,  
248/465; 345/104, 133, 156, 168, 87, 173;  
720/605, 669, 600, 655; 369/99, 197; 455/344-347  
See application file for complete search history.

(56) **References Cited**

**U.S. PATENT DOCUMENTS**

D337,113 S	7/1993	Saito
D342,497 S	12/1993	Saito et al.
D342,501 S	12/1993	Saeki et al.
D351,155 S	10/1994	Usami et al.
D351,156 S	10/1994	Usami et al.
D357,244 S	4/1995	Usami et al.
D357,245 S	4/1995	Usami et al.
D357,472 S	4/1995	Usami et al.
D369,596 S	5/1996	Akiyama et al.
D372,026 S	7/1996	Akiyama et al.
D373,583 S	9/1996	Akiyama et al.
D427,169 S	6/2000	Saeki et al.
D429,227 S	8/2000	Shimizu
D431,537 S	10/2000	Saeki et al.
D438,848 S	3/2001	Kita
D439,224 S	3/2001	Kita
D439,225 S	3/2001	Kita
D453,747 S	2/2002	Kita

(Continued)

**OTHER PUBLICATIONS**

- U.S. Appl. No. 29/243,346 filed Nov. 2005, Kita.
- U.S. Appl. No. 29/243,347, filed Nov. 2005, Kita.
- U.S. Appl. No. 29/243,348, filed Nov. 2005, Kita.
- U.S. Appl. No. 29/243,350, filed Nov. 2005, Kita.
- U.S. Appl. No. 29/232,622, filed Jun. 22, 2005, Kita.
- U.S. Appl. No. 29/232,620, filed Jun. 22, 2005, Kita.
- U.S. Appl. No. 29/232,607, filed Jun. 22, 2005, Kita.
- U.S. Appl. No. 29/232,621, filed Jun. 22, 2005, Kita.
- U.S. Appl. No. 29/232,614, filed Jun. 22, 2005, Kita.
- U.S. Appl. No. 29/207,659, filed Jun. 2004, Kita.
- U.S. Appl. No. 29/207,660, filed Jun. 2004, Kita.
- U.S. Appl. No. 29/206,962, filed Jun. 2004, Kita.
- Fuji et al., entitled; "Television Set," U.S. Appl. No. 29/228, 974, filed May 2, 2005, pending.
- Kita, entitled; "Television Set," U.S. Appl. No. 29/229,686, filed May 11, 2005, pending.
- Fuji et al., entitled; "Television Set," U.S. Appl. No. 29/228, 975, filed May 2, 2005, pending.
- Kita, entitled; "Television Set," U.S. Appl. No. 29/232,697, filed Jun. 23, 2005, pending.
- Kita, entitled; "Television Set," U.S. Appl. No. 29/232,616, filed Jun. 22, 2005, pending.

(Continued)

*Primary Examiner*—Raphael Barkai  
(74) *Attorney, Agent, or Firm*—Nixon & Vanderhye, PC

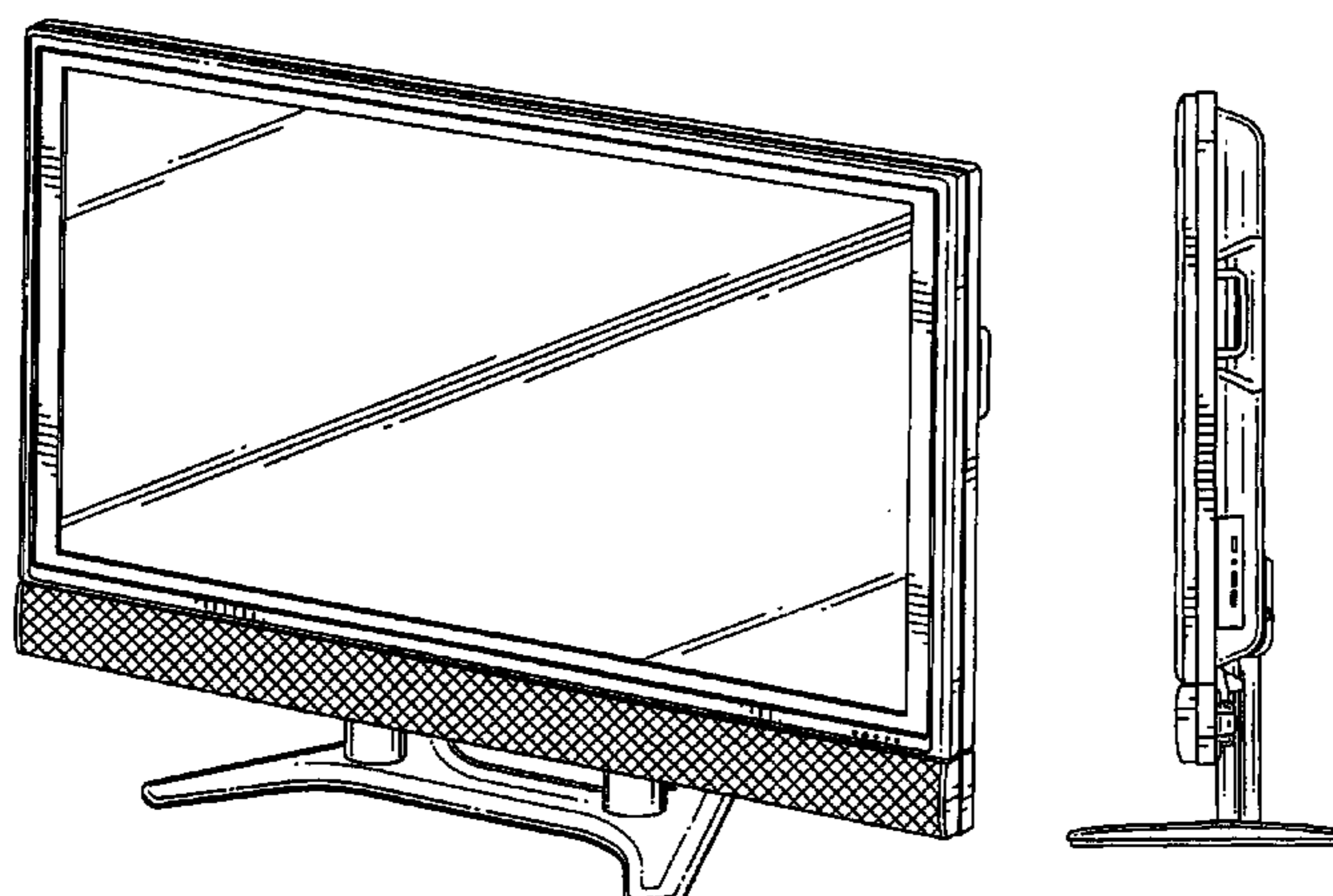
(57) **CLAIM**

The ornamental design for a "television set," as shown and described.

**DESCRIPTION**

FIG. 1 is a top, front and right side perspective view of a television set according to my design;  
FIG. 2 is a front elevational view thereof;  
FIG. 3 is a rear elevational view thereof;  
FIG. 4 is a right side elevational view thereof;  
FIG. 5 is a left side elevational view thereof;  
FIG. 6 is a top plan view thereof; and,  
FIG. 7 is a bottom plan view thereof.

**1 Claim, 3 Drawing Sheets**



# US D540,285 S

Page 2

---

## U.S. PATENT DOCUMENTS

D453,748 S 2/2002 Kita  
D456,370 S 4/2002 Kita  
D458,910 S 6/2002 Kita  
D462,353 S 9/2002 Kita  
D472,532 S \* 4/2003 Niitsu ..... D14/126  
D483,020 S \* 12/2003 Nagao et al. .... D14/126  
D492,269 S 6/2004 Kita  
D496,915 S 10/2004 Kita  
D497,351 S 10/2004 Kita  
D497,599 S 10/2004 Kita  
D499,076 S 11/2004 Kita  
D501,186 S 1/2005 Kita  
D501,654 S 2/2005 Kita  
D502,451 S 3/2005 Kita  
D502,931 S 3/2005 Kita  
D505,123 S 5/2005 Kita  
D505,403 S 5/2005 Kita  
D510,731 S 10/2005 Kita  
D512,385 S 12/2005 Kita  
D512,386 S 12/2005 Kita

D512,387 S 12/2005 Kita

## OTHER PUBLICATIONS

Totsuka, entitled, "Television Set," U.S. Appl. No. 29/245,754, filed Dec. 29, 2005, pending.  
Kita, entitled, "Television Set," U.S. Appl. No. 29/243,704, filed Nov. 30, 2005, pending.  
Kita, entitled, "Television Set," U.S. Appl. No. 29/243,707, filed Nov. 30, 2005, pending.  
Kita, entitled, "Television Set," U.S. Appl. No. 29/245,015, filed Dec. 19, 2005, pending.  
Kita, entitled, "Television Set," U.S. Appl. No. 29/253,456, filed Feb. 8, 2006, pending.  
Kita, entitled, "Television Set," U.S. Appl. No. 29/253,455, filed Feb. 8, 2006, pending.  
Kita, entitled, "Externally Exposed Surfaces of a Speaker for a Television Set," U.S. Appl. No. 29/243,705, filed Nov. 30, 2005, pending.

\* cited by examiner

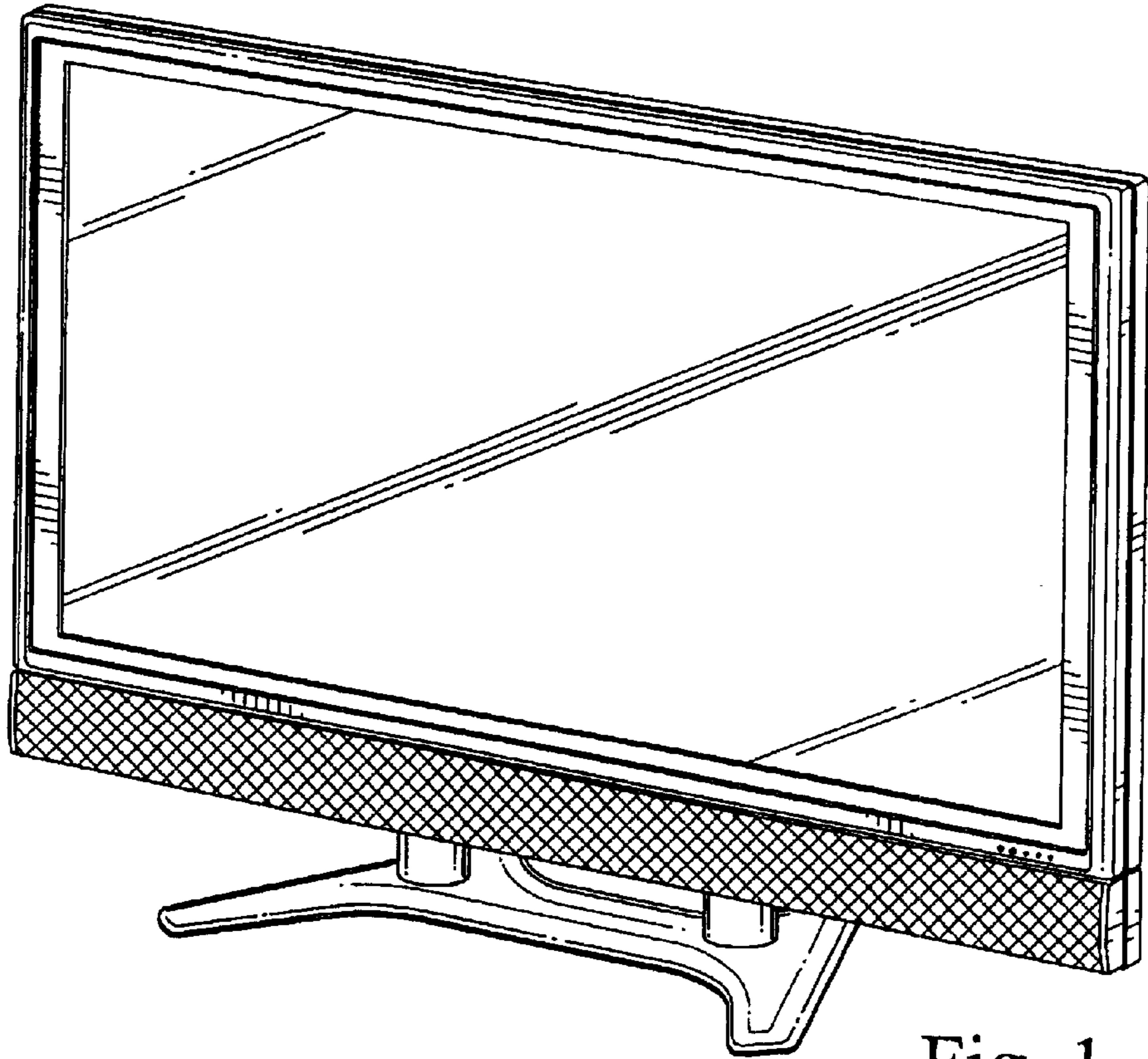


Fig. 1

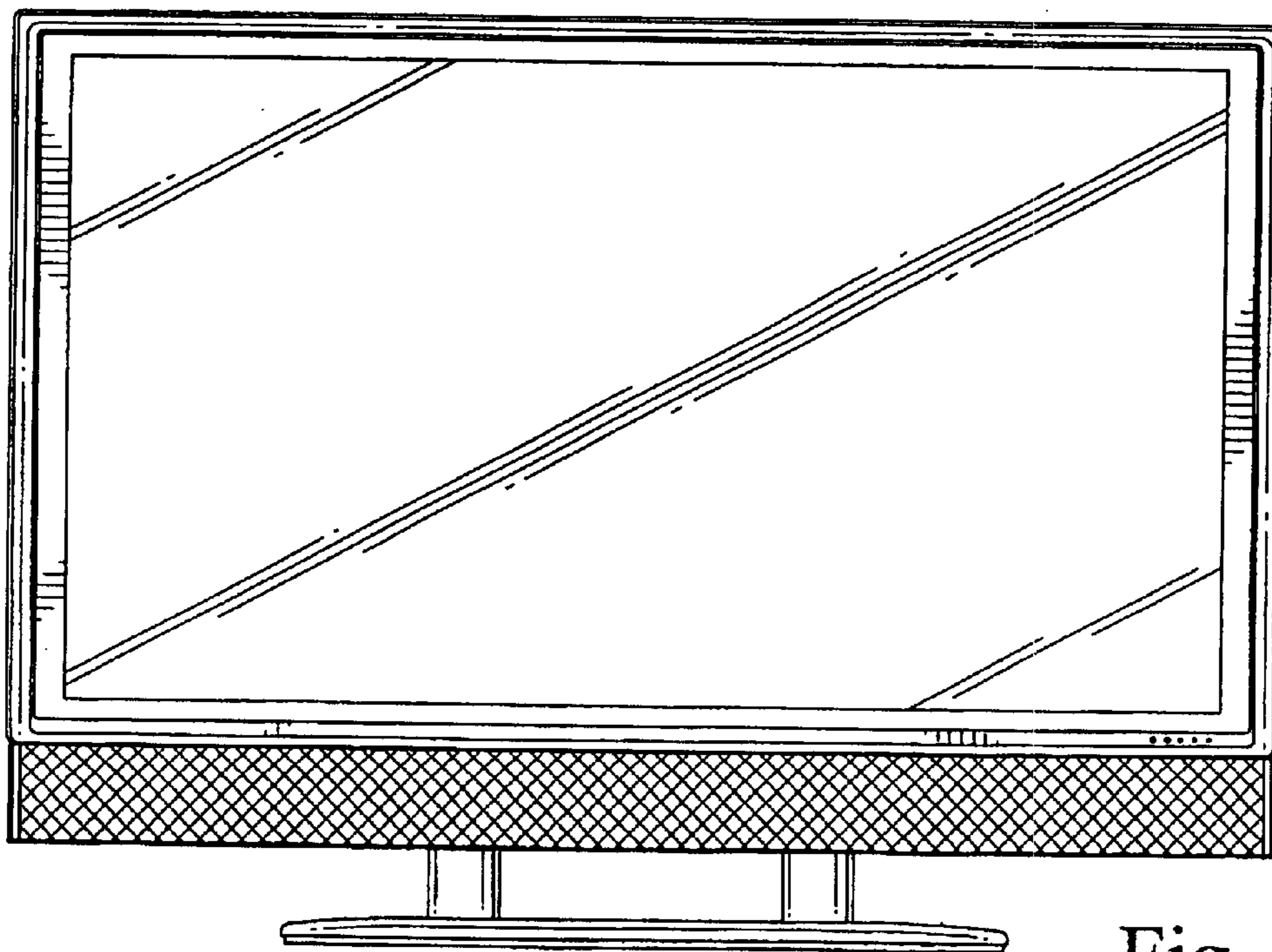


Fig. 2

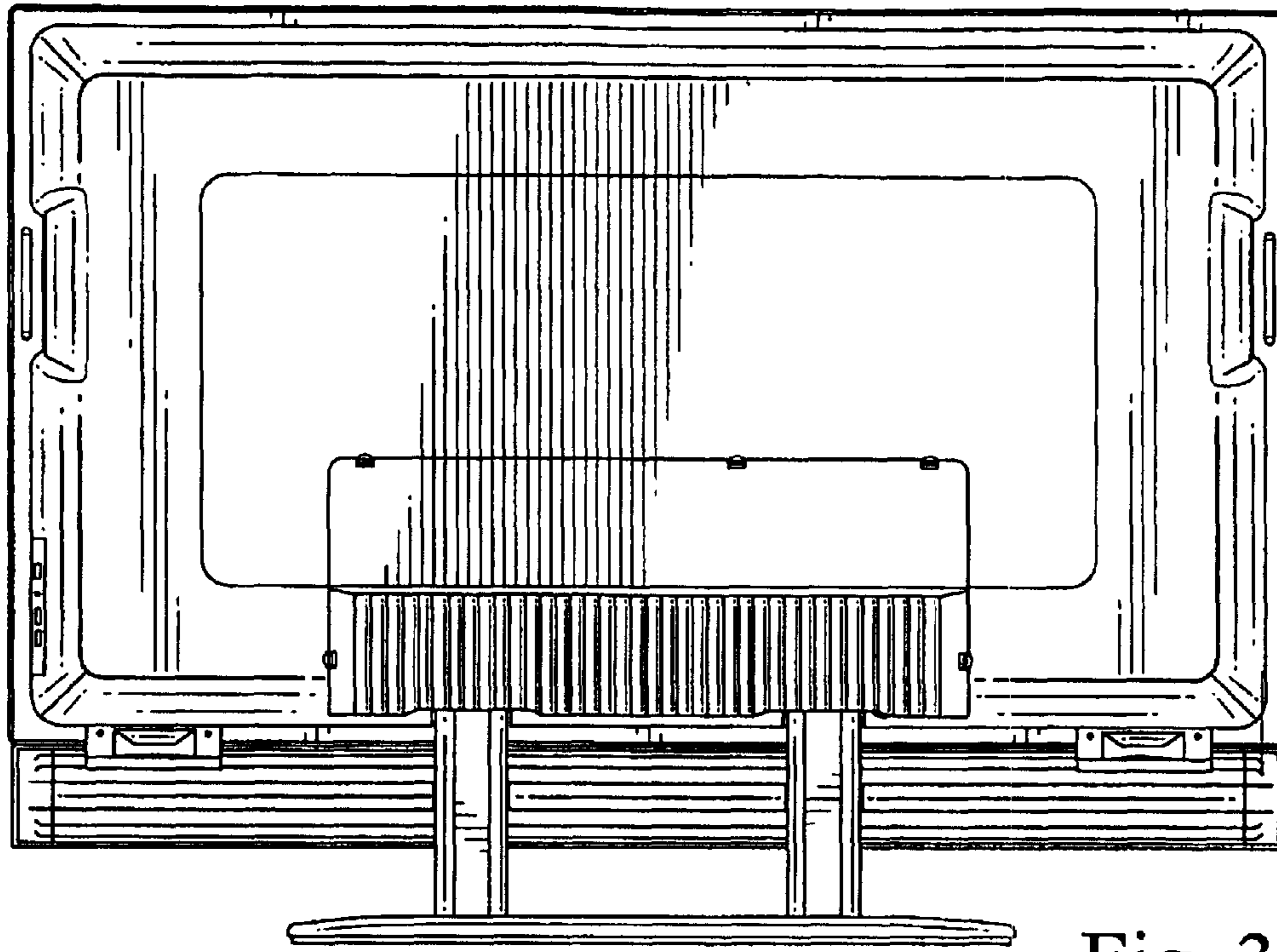


Fig. 3

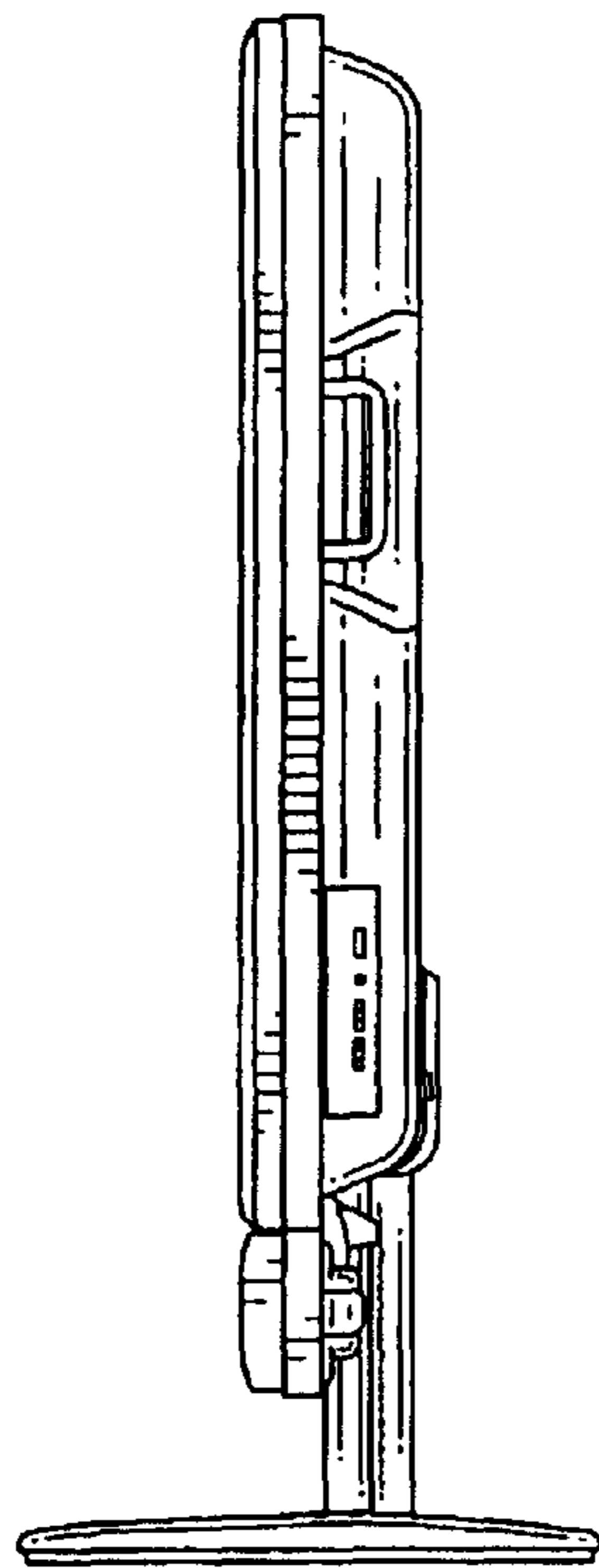


Fig. 4

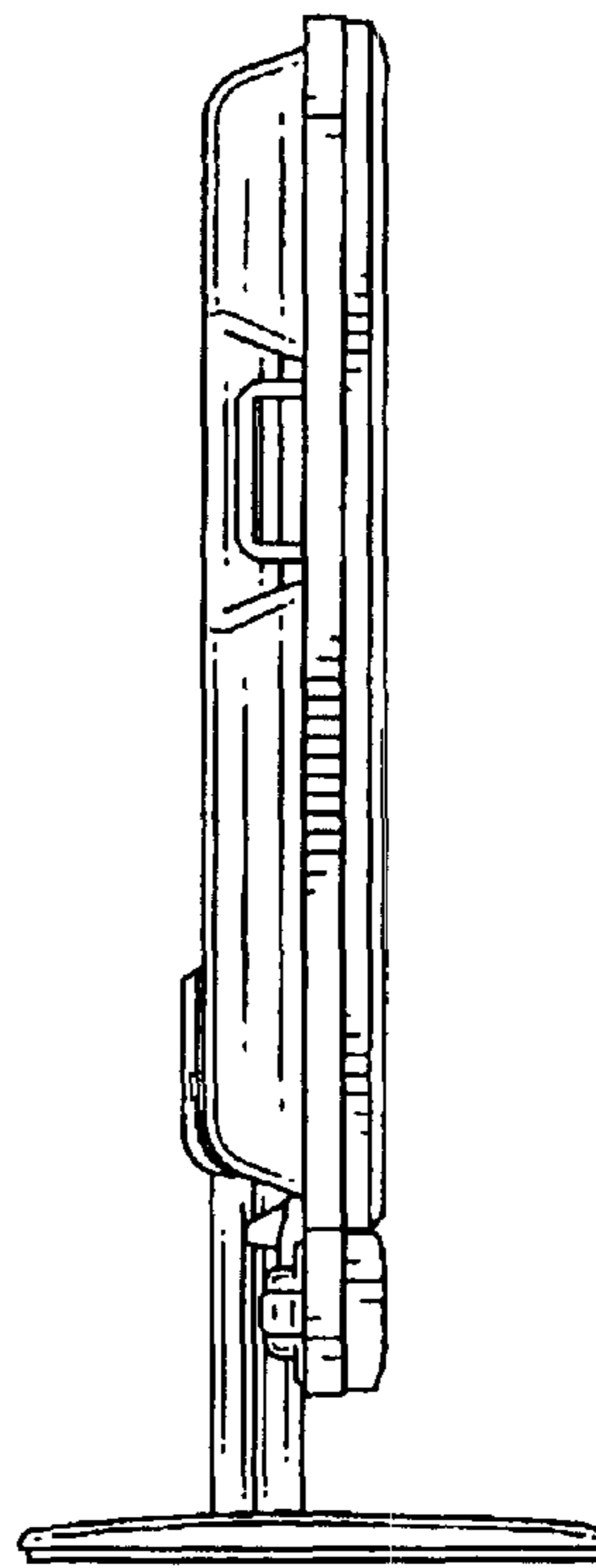


Fig. 5

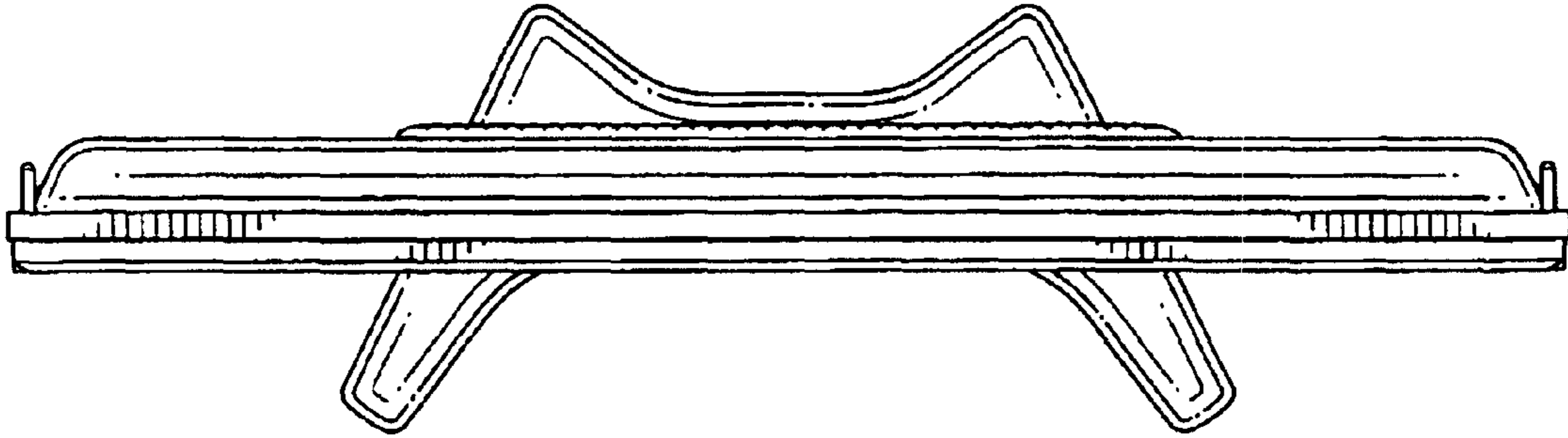


Fig. 6

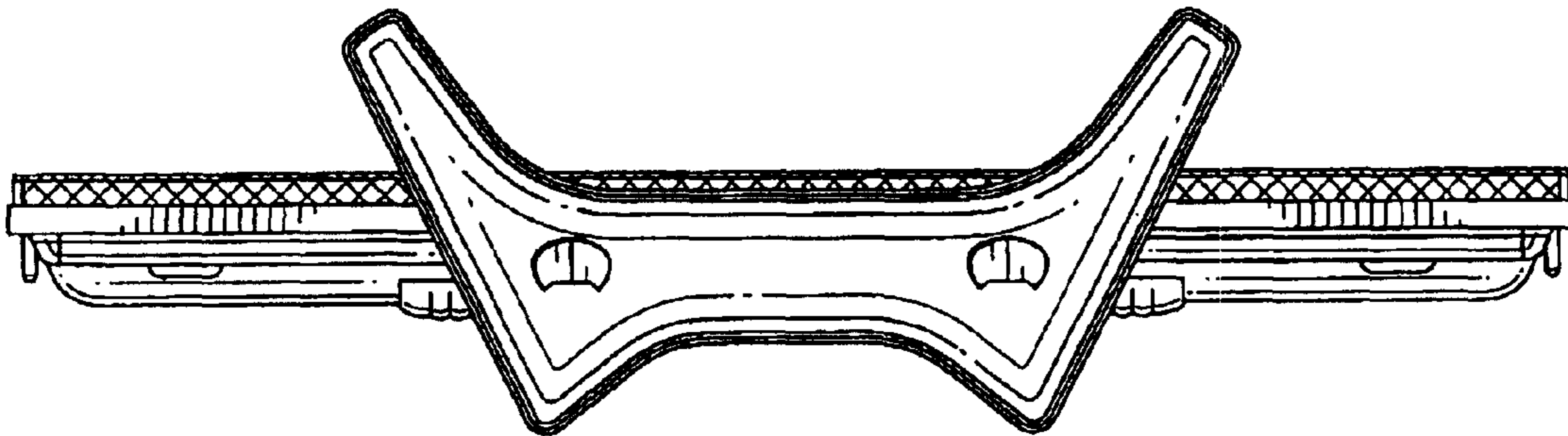


Fig. 7