

US00D540278S

(12) **United States Design Patent**  
**Ju et al.**

(10) **Patent No.:** **US D540,278 S**  
(45) **Date of Patent:** **\*\* Apr. 10, 2007**

(54) **PLASMA DISPLAY PANEL TELEVISION RECEIVER**

(75) Inventors: **Kun Ho Ju**, Seoul (KR); **Hyung Rak Son**, Seoul (KR); **Tae Bong Kim**, Seoul (KR)

(73) Assignee: **LG Electronics Inc.**, Seoul (KR)

(\*\*) Term: **14 Years**

(21) Appl. No.: **29/222,092**

(22) Filed: **Jan. 27, 2005**

(30) **Foreign Application Priority Data**

Jul. 29, 2004 (KR) ..... 30-2004-0023286

(51) **LOC (8) Cl.** ..... **14-03**

(52) **U.S. Cl.** ..... **D14/126**

(58) **Field of Classification Search** ..... D14/125-135, D14/239, 379, 371, 374, 375, 376, 113; D13/151, D13/153; 312/7.2; 348/836, 838, 180, 184, 348/325, 739; 341/12; 248/917-924; 345/104, 345/133, 156, 168, 87, 173; 349/1, 2, 11, 349/62

See application file for complete search history.

(56) **References Cited**

**U.S. PATENT DOCUMENTS**

D424,068 S \* 5/2000 Takemasa ..... D14/374

D486,456 S \* 2/2004 Fujiki ..... D14/126  
D494,553 S \* 8/2004 Yang ..... D14/126  
D497,352 S \* 10/2004 Asanuma et al. .... D14/126  
6,837,469 B2 \* 1/2005 Wu et al. .... 248/278.1  
D510,567 S \* 10/2005 Honda ..... D14/126  
D511,753 S \* 11/2005 Joe et al. .... D14/128  
D511,754 S \* 11/2005 Hirano ..... D14/128  
D517,508 S \* 3/2006 Inaba ..... D14/126

\* cited by examiner

*Primary Examiner*—Raphael Barkai

*Assistant Examiner*—Randall H. Gholson

(74) *Attorney, Agent, or Firm*—Birch, Stewart, Kolasch & Birch, LLP

(57) **CLAIM**

We claim the ornamental design for plasma display panel television receiver, as shown and described.

**DESCRIPTION**

FIG. 1 is a perspective view of plasma display panel television receiver showing the new design; FIG. 2 is a front elevation view thereof; FIG. 3 is a rear elevation view thereof; FIG. 4 is a left-side elevation view thereof; FIG. 5 is a right-side elevation view thereof; FIG. 6 is a top plan view thereof; and, FIG. 7 is a bottom plan view thereof.

**1 Claim, 4 Drawing Sheets**

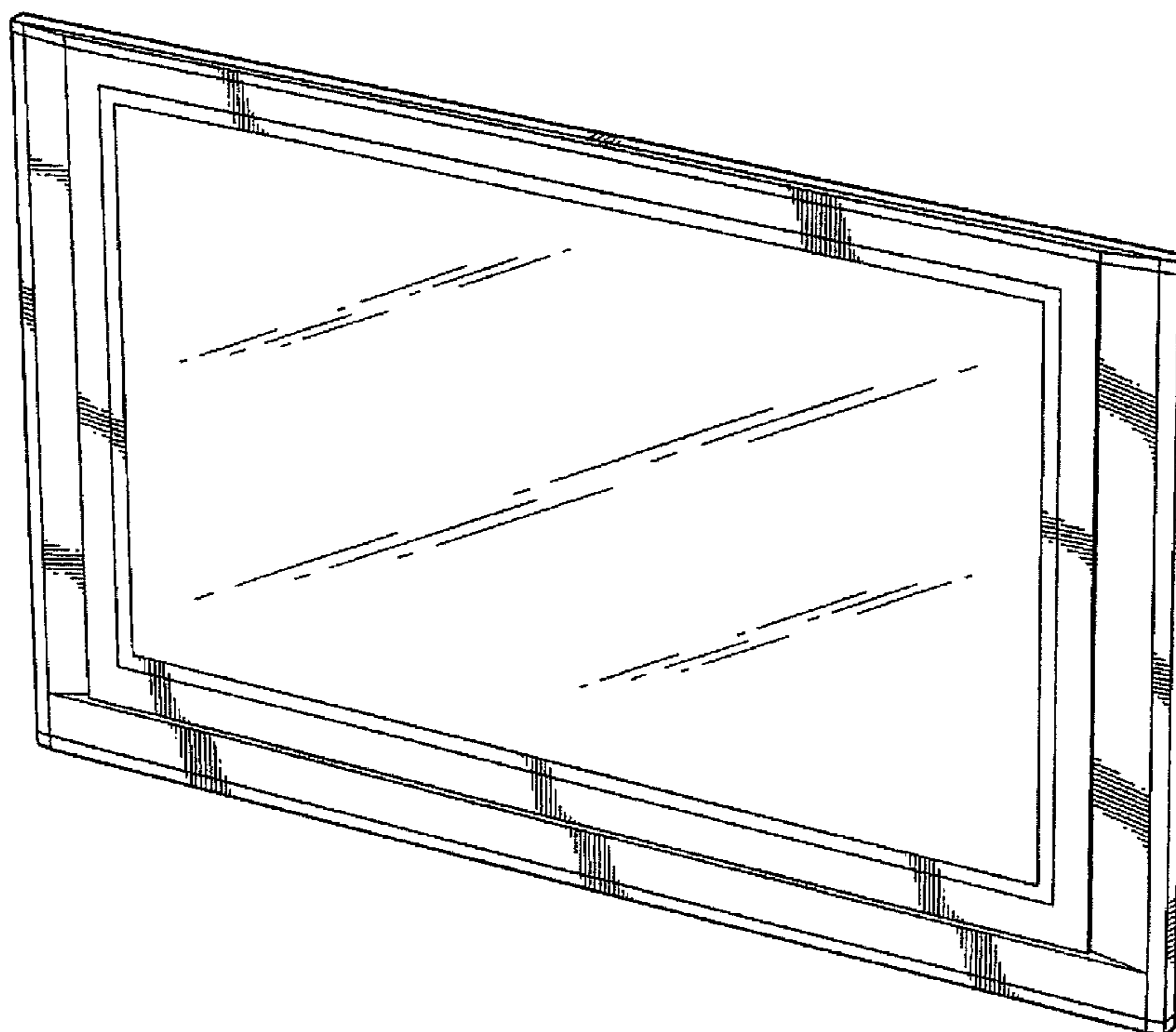


FIG. 1

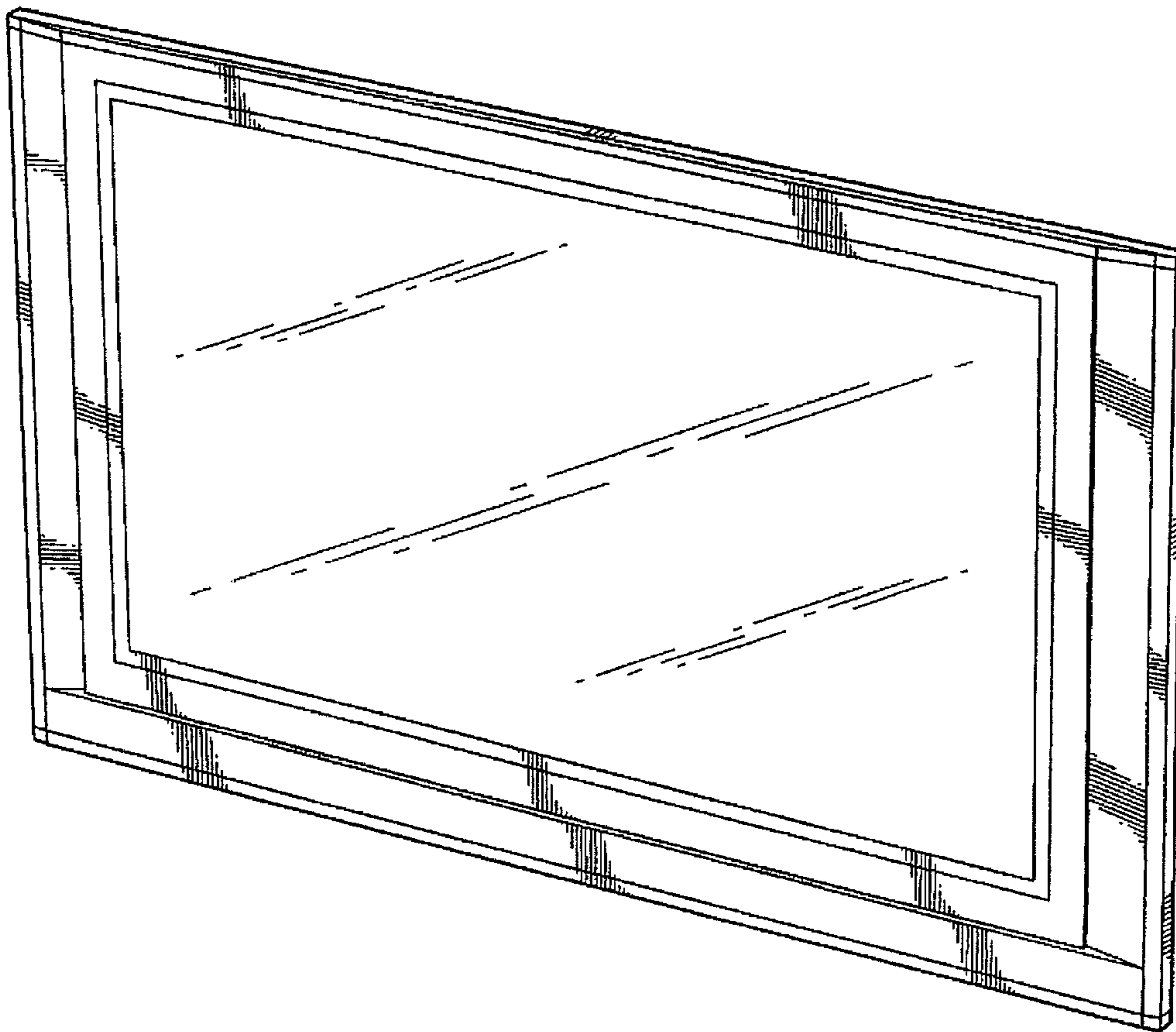


FIG.2

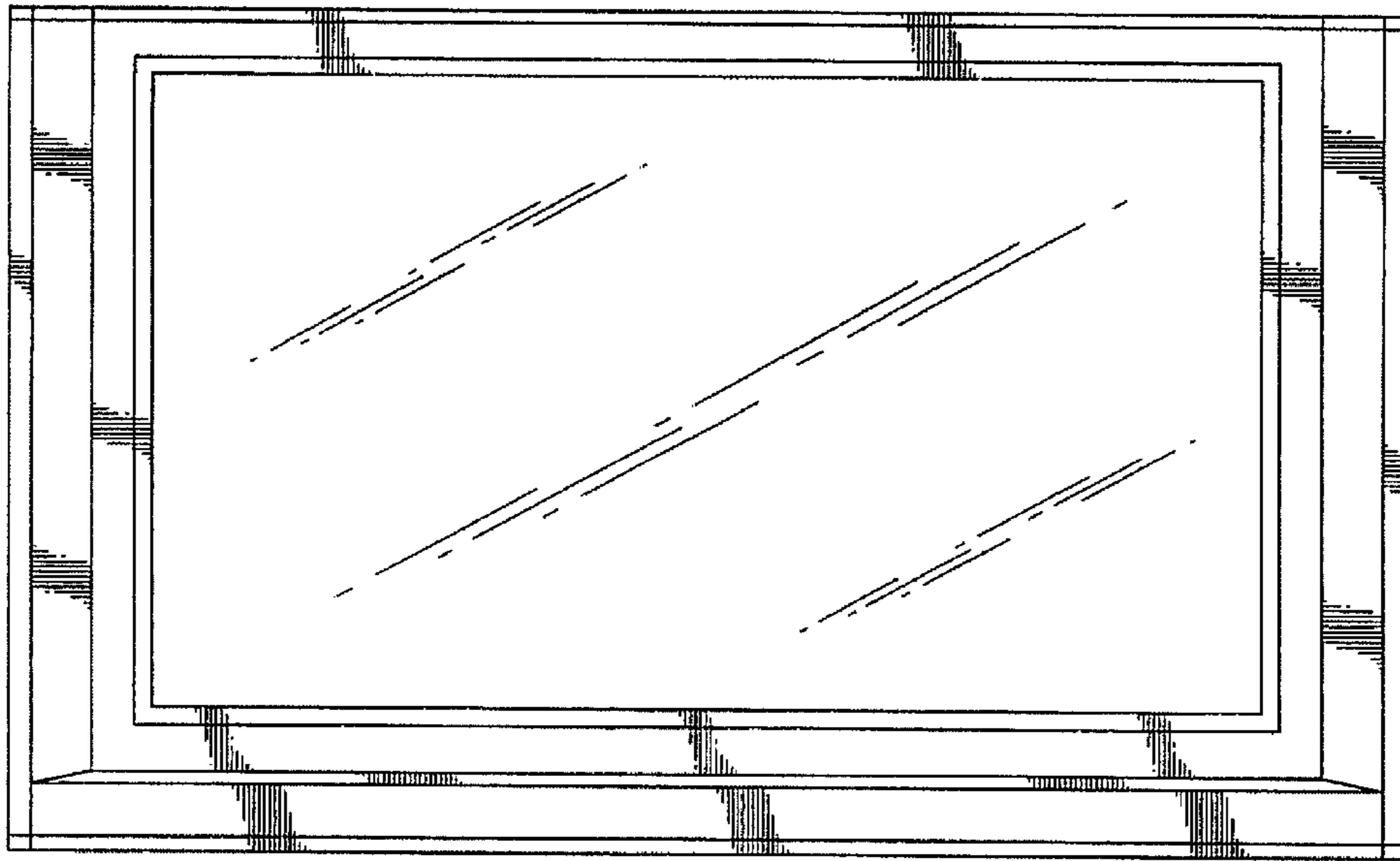


FIG.3

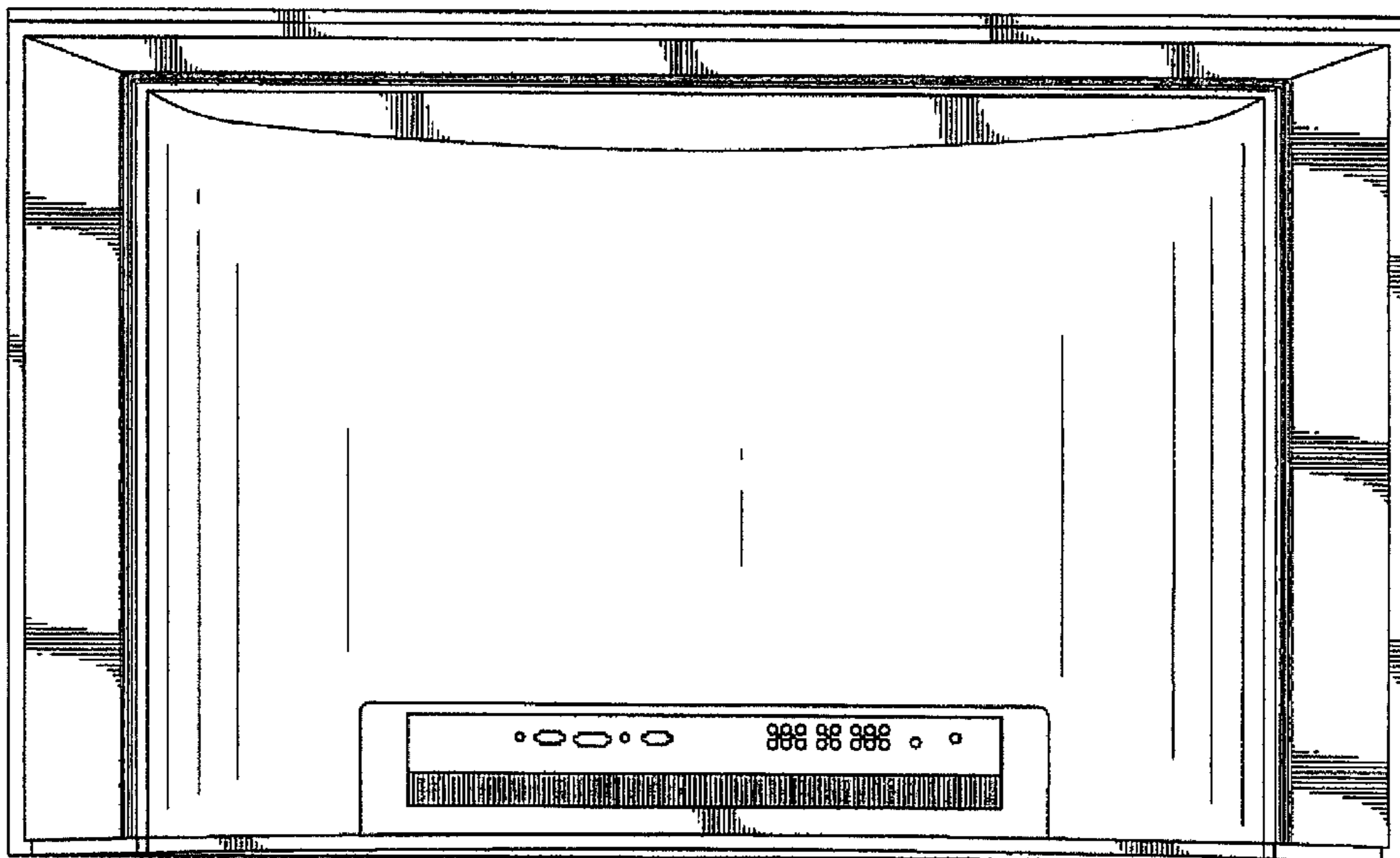


FIG.4



FIG.5

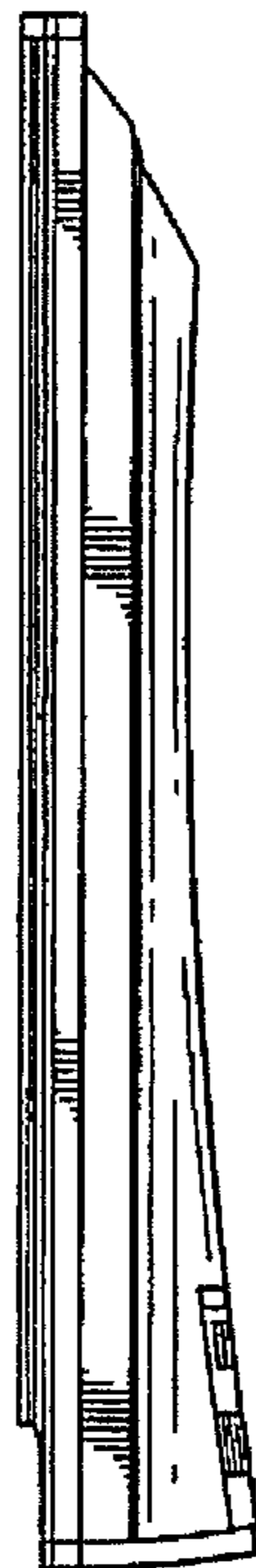


FIG.6

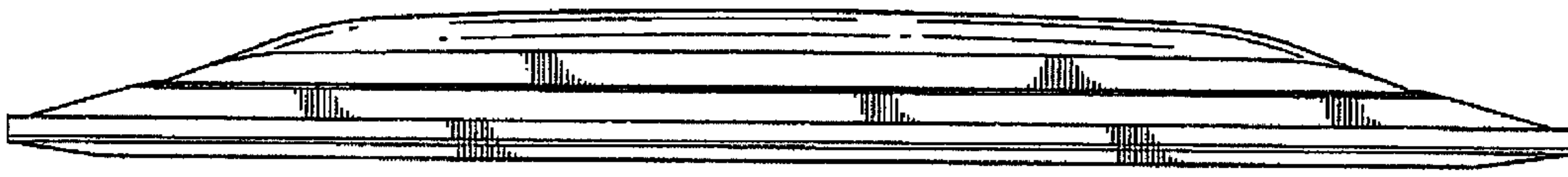


FIG.7

