

US00D540277S

(12) **United States Design Patent**  
**Kim et al.**

(10) **Patent No.:** **US D540,277 S**

(45) **Date of Patent:** **\*\* Apr. 10, 2007**

(54) **LCD TV RECEIVER**

(75) Inventors: **Young-Jun Kim**, Seoul (KR); **Hwoan Uk Joo**, Seoul (KR)

(73) Assignee: **Samsung Electronics Co., Ltd.** (KR)

(\*\*) Term: **14 Years**

(21) Appl. No.: **29/216,499**

(22) Filed: **Nov. 3, 2004**

(51) **LOC (8) Cl.** ..... **14-03**

(52) **U.S. Cl.** ..... **D14/126**

(58) **Field of Classification Search** ..... D14/125-135,  
D14/239, 379, 371, 374, 375, 376, 113; D13/151,  
D13/153; 312/7.2; 348/836, 838, 180, 184,  
348/325, 739; 341/12; 248/917-924; 345/104,  
345/133, 156, 168, 87, 173; 349/1, 2, 11,  
349/62

See application file for complete search history.

(56) **References Cited**

**U.S. PATENT DOCUMENTS**

D411,522 S	*	6/1999	Chuo et al.	.....	D14/375
D458,236 S	*	6/2002	Bong et al.	.....	D14/126
D460,425 S	*	7/2002	Joe	.....	D14/126
D486,456 S	*	2/2004	Fujiki	.....	D14/126
D488,451 S	*	4/2004	Niitsu	.....	D14/126
D500,991 S	*	1/2005	Niitsu	.....	D14/126

6,837,469 B2	*	1/2005	Wu et al.	.....	248/278.1
D504,669 S	*	5/2005	Fujiki	.....	D14/126
D511,754 S	*	11/2005	Hirano	.....	D14/128
D515,049 S	*	2/2006	Asanuma et al.	.....	D14/129
D523,856 S	*	6/2006	Phipps et al.	.....	D14/375

\* cited by examiner

*Primary Examiner*—Philip Hyder

*Assistant Examiner*—Randall H. Gholson

(74) *Attorney, Agent, or Firm*—Irving Keschner

(57) **CLAIM**

The ornamental design for LCD TV receiver, as shown.

**DESCRIPTION**

FIG. 1 is a perspective view of the ornamental design of the present invention;

FIG. 2 is a front elevational view of the ornamental design of the present invention;

FIG. 3 is a rear elevational view of the ornamental design of the present invention;

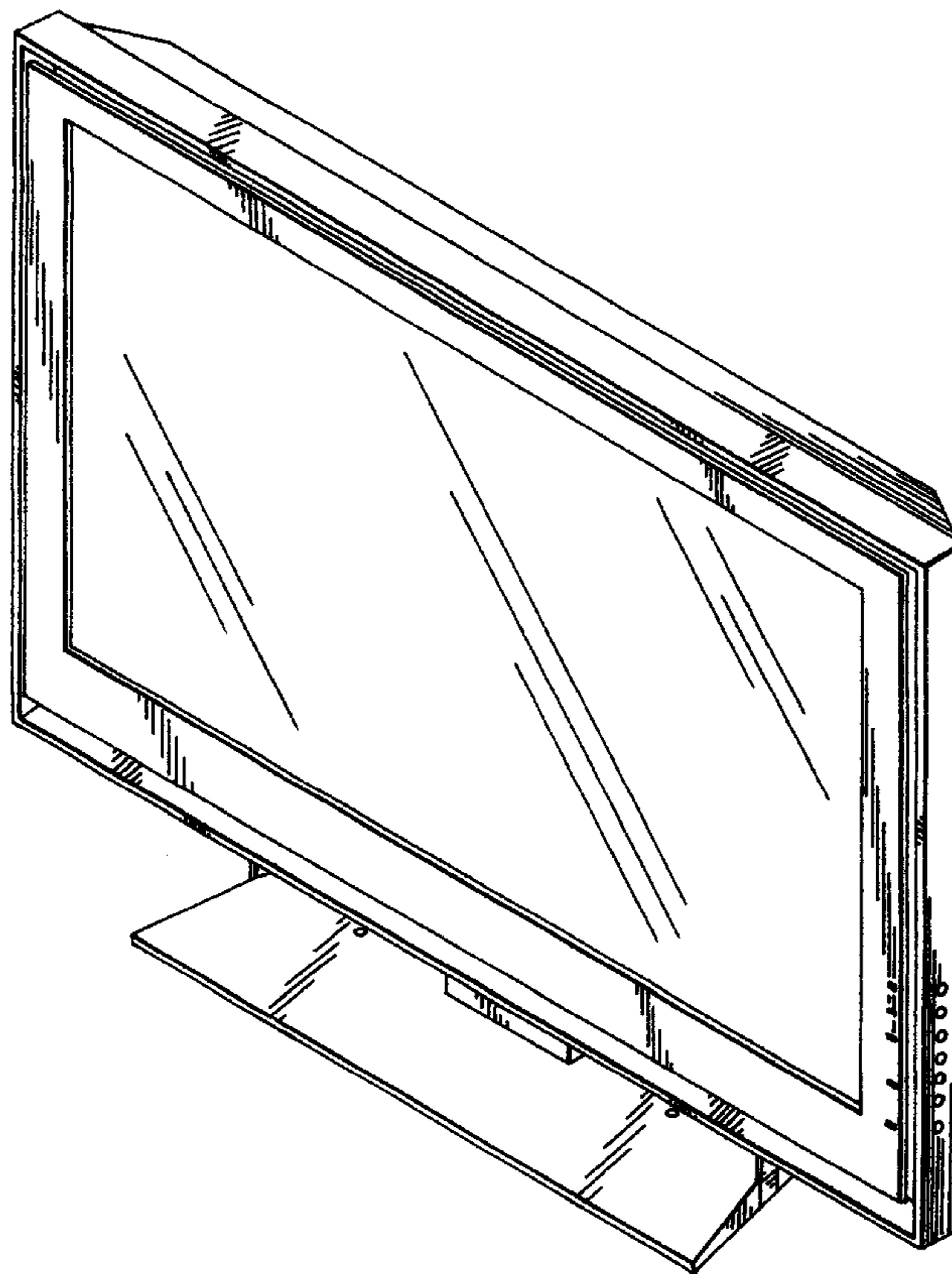
FIG. 4 is a left side elevational view of the ornamental design of the present invention;

FIG. 5 is a right side elevational view of the ornamental design of the present invention;

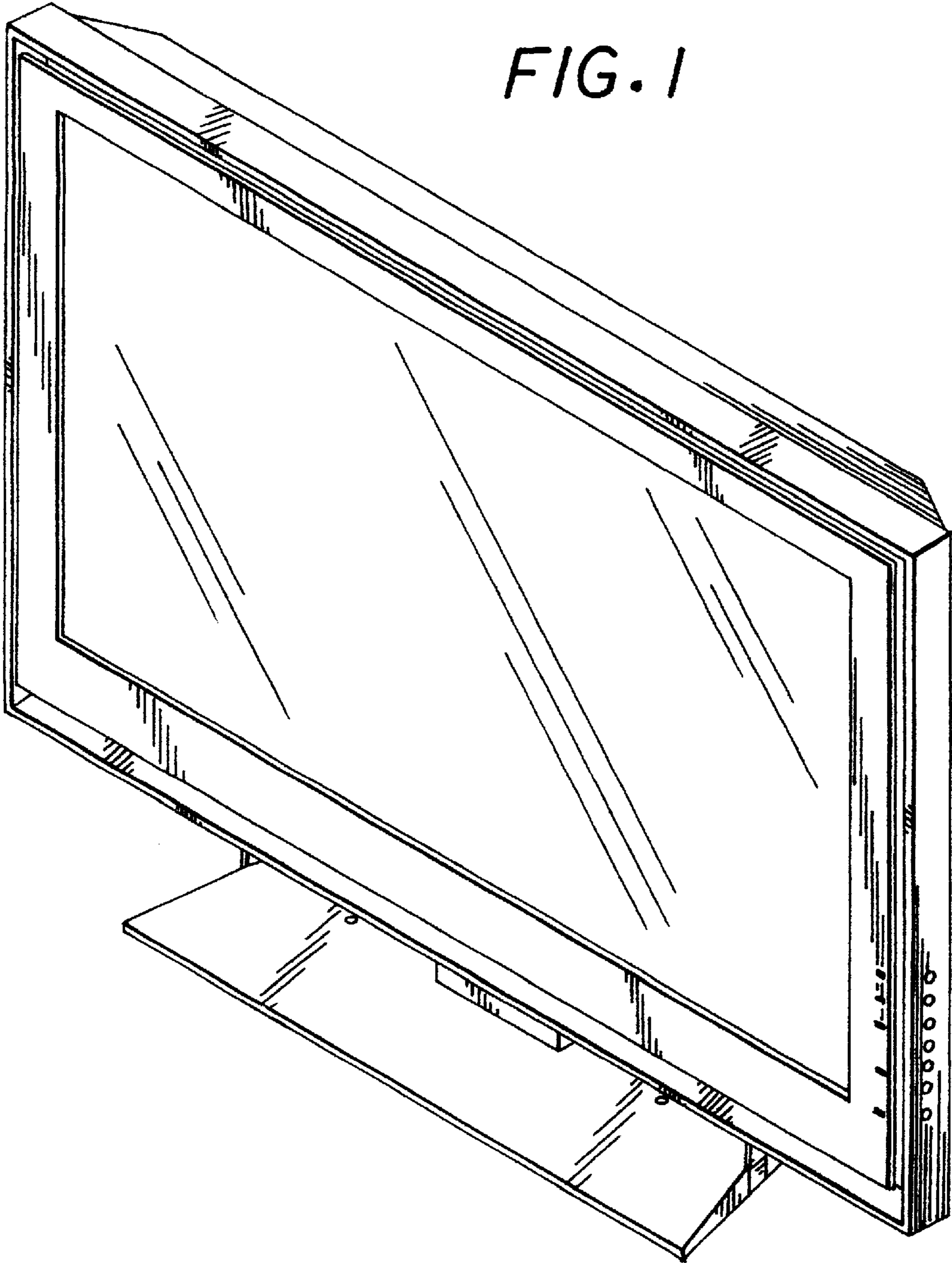
FIG. 6 is a top plan view of the ornamental design of the present invention; and,

FIG. 7 is a bottom view of the ornamental design of the present invention.

**1 Claim, 5 Drawing Sheets**



*FIG. 1*



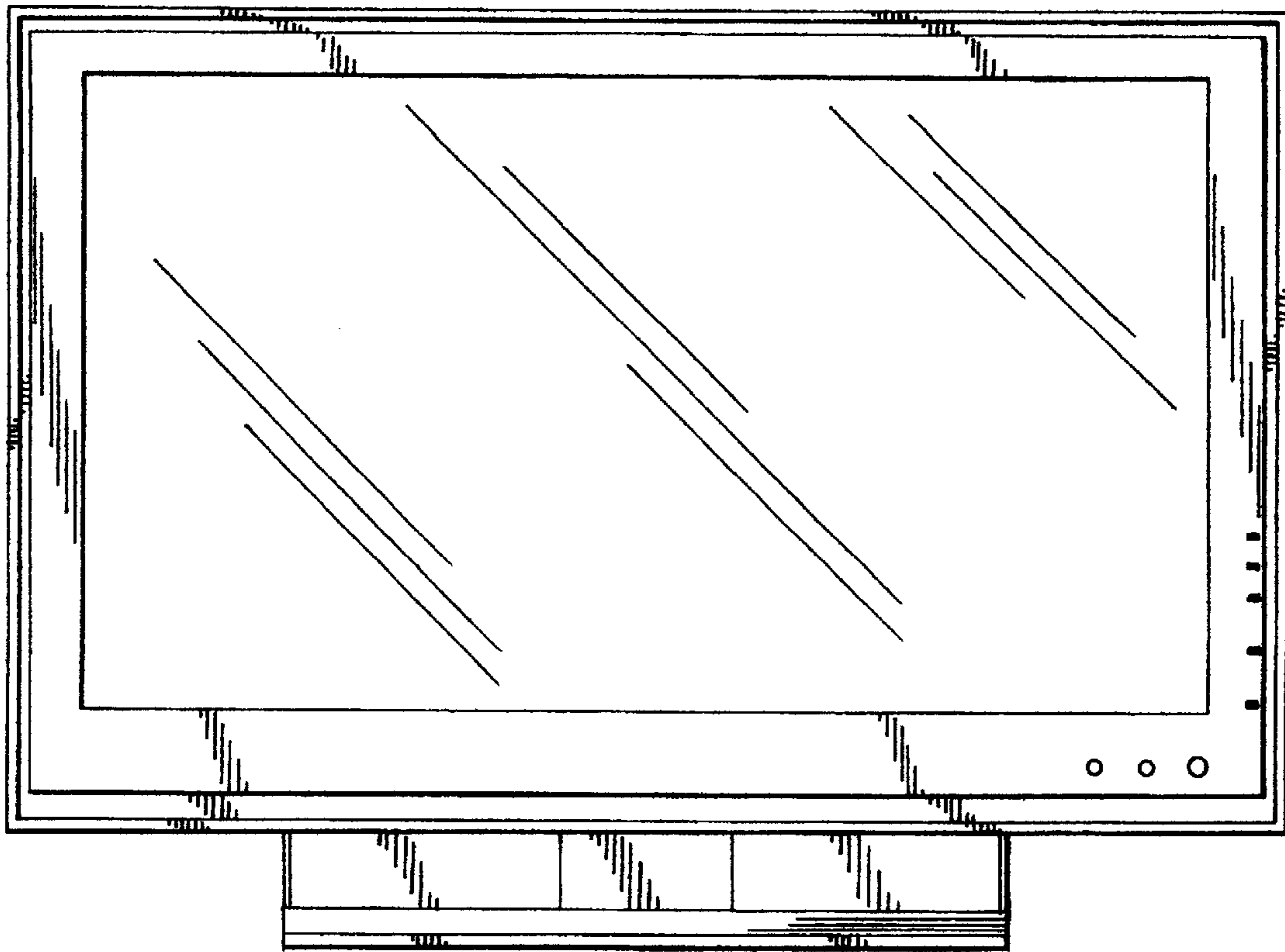
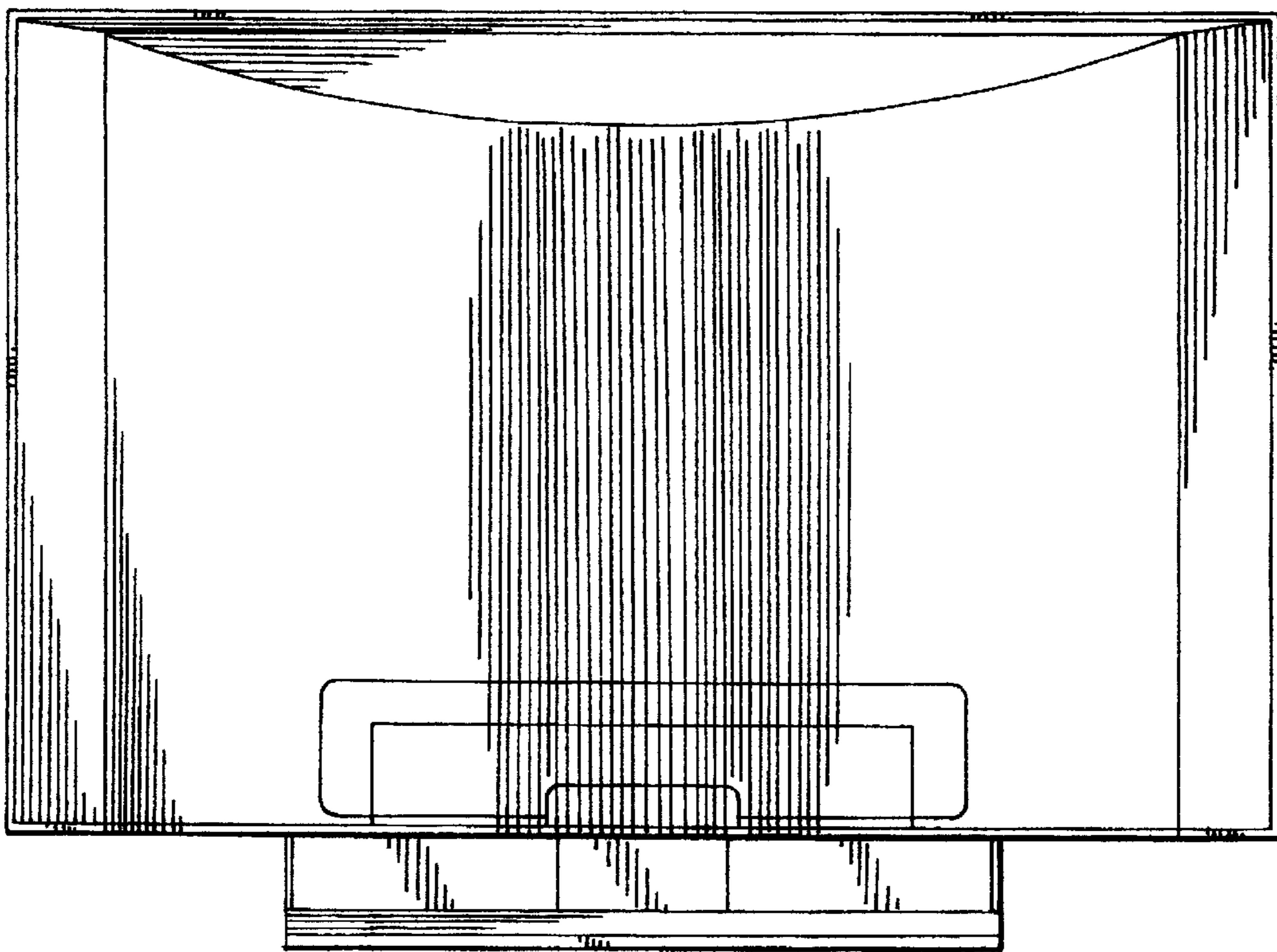


FIG. 2



*FIG. 3*



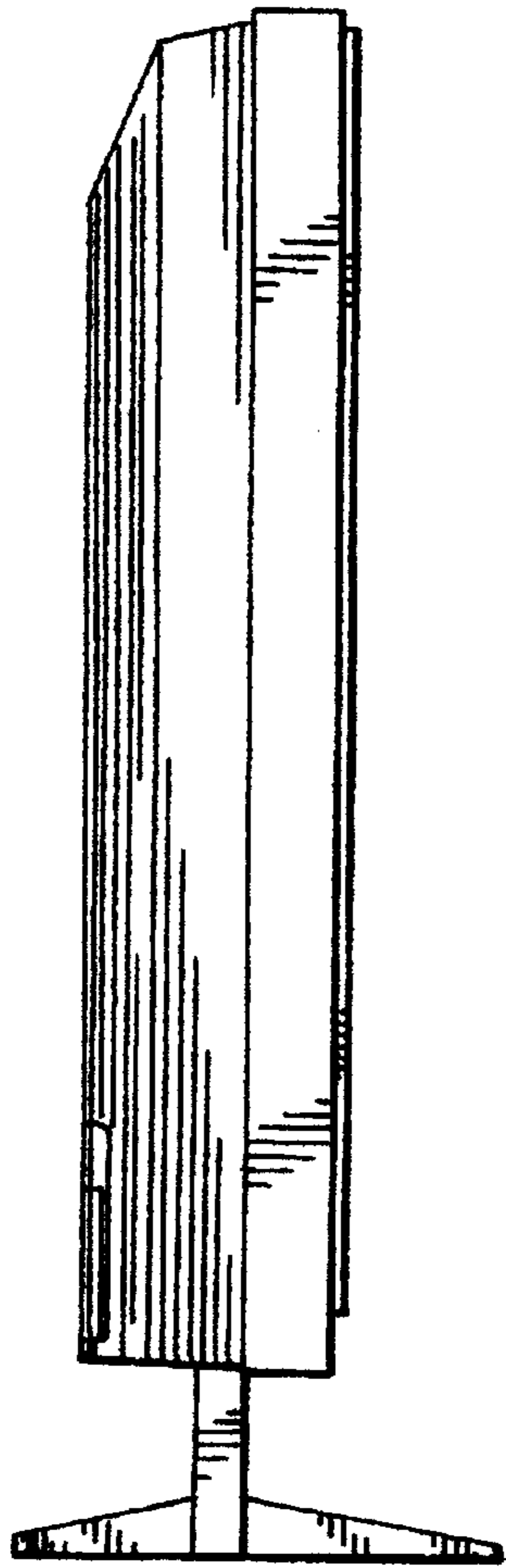


FIG. 4

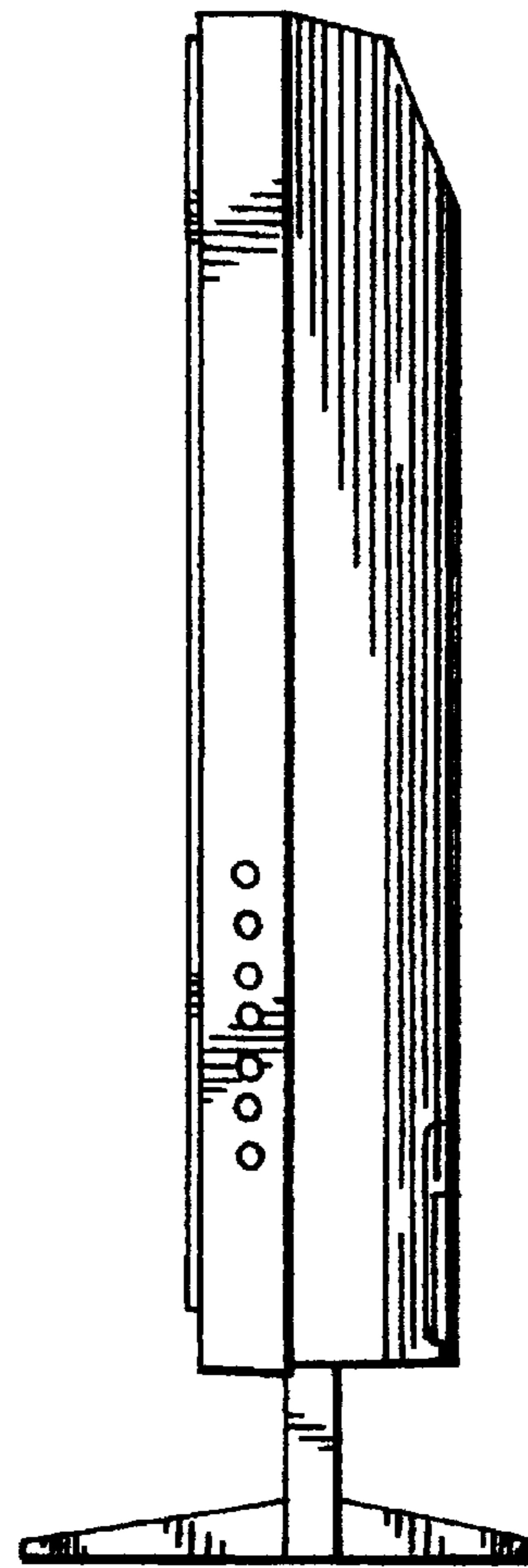
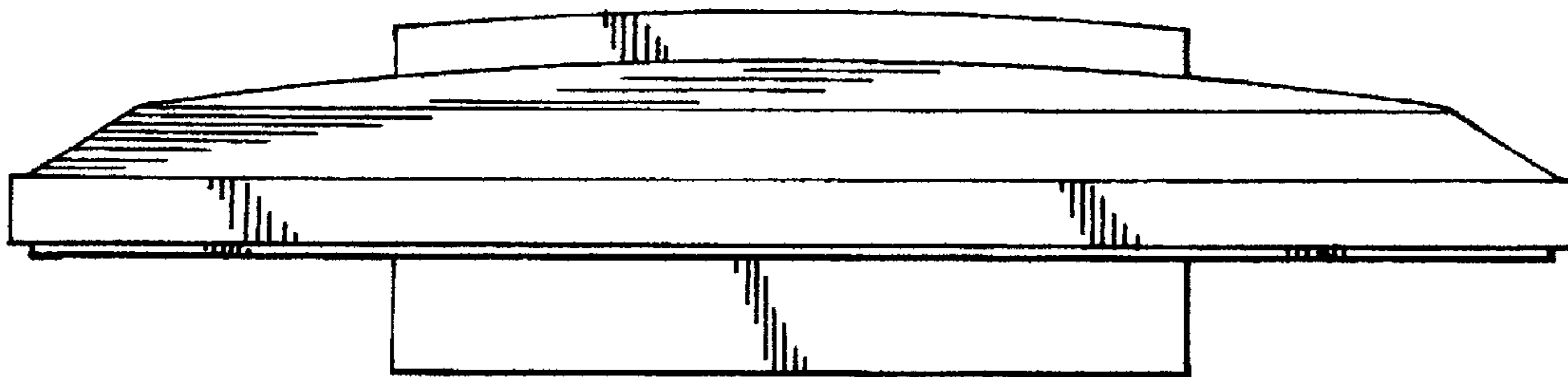
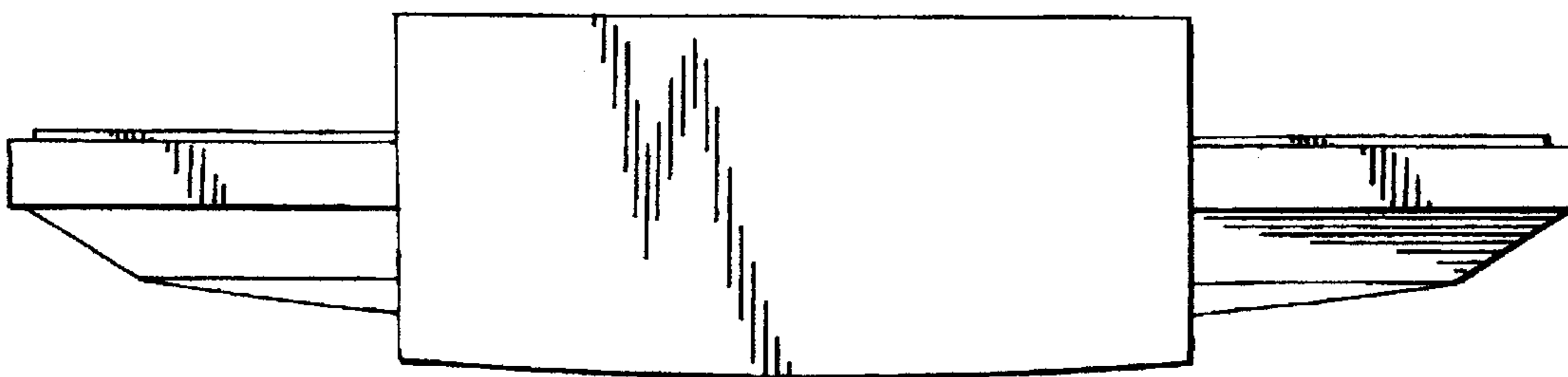


FIG. 5



*FIG. 6*



*FIG. 7*