



US00D540275S

(12) **United States Design Patent**
Lewis

(10) **Patent No.:** **US D540,275 S**
(45) **Date of Patent:** **** Apr. 10, 2007**

(54) **TELEVISION SYSTEM**

(75) Inventor: **David Lewis**, Copenhagen K (DK)

(73) Assignee: **Bang & Olufsen A/S**, Struer (DK)

(**) Term: **14 Years**

(21) Appl. No.: **29/214,180**

(22) Filed: **Sep. 30, 2004**

(51) **LOC (8) Cl.** **14-03**

(52) **U.S. Cl.** **D14/126**

(58) **Field of Classification Search** D14/125-135,
D14/239, 379, 371, 374, 375, 376, 113; D13/151,
D13/153; 312/7.2; 348/836, 838, 180, 184,
348/325, 739; 341/12; 248/917-924; 345/104,
345/133, 156, 168, 87, 173; 349/1, 2, 11,
349/62

See application file for complete search history.

(56) **References Cited**

U.S. PATENT DOCUMENTS

D417,659 S	*	12/1999	Takemasa	D14/126
D431,537 S	*	10/2000	Saeki et al.	D14/126
D432,102 S	*	10/2000	Arie	D14/126
D458,236 S	*	6/2002	Bong et al.	D14/126
D463,431 S	*	9/2002	Yamamoto et al.	D14/374
D471,194 S	*	3/2003	Huang	D14/375
D474,452 S	*	5/2003	Kanatani	D14/126
D479,209 S	*	9/2003	Teng et al.	D14/126
D489,340 S	*	5/2004	Honda	D14/126
D523,827 S	*	6/2006	Lin et al.	D14/126

OTHER PUBLICATIONS

One Call catalog dated 2003 p. 29.*

* cited by examiner

Primary Examiner—Raphael Barkai
Assistant Examiner—Randall H. Gholson

(74) *Attorney, Agent, or Firm*—Buchanan Ingersoll & Rooney PC

(57) **CLAIM**

The ornamental design for a television system, as shown and described.

DESCRIPTION

FIG. 1 is a front perspective view of a television system showing my new design.

FIG. 2 is a rear perspective view thereof.

FIG. 3 is a front elevational view thereof

FIG. 4 is a rear elevational view thereof.

FIG. 5 is a left side elevational view thereof; the right side being a mirror image thereof.

FIG. 6 is a top plan view thereof.

FIG. 7 is a bottom plan view thereof.

FIG. 8 is a front perspective view of the television monitor shown in FIG. 1.

FIG. 9 is a rear perspective view thereof.

FIG. 10 is a front elevational view thereof.

FIG. 11 is a rear elevational view thereof.

FIG. 12 is a left side elevational view thereof.

FIG. 13 is a right side elevational view thereof.

FIG. 14 is a top plan view thereof.

FIG. 15 is a bottom plan view thereof.

FIG. 16 is a front perspective view of the loud speaker shown in FIG. 1.

FIG. 17 is a rear perspective view thereof.

FIG. 18 is a front elevational view thereof.

FIG. 19 is a rear elevational view thereof.

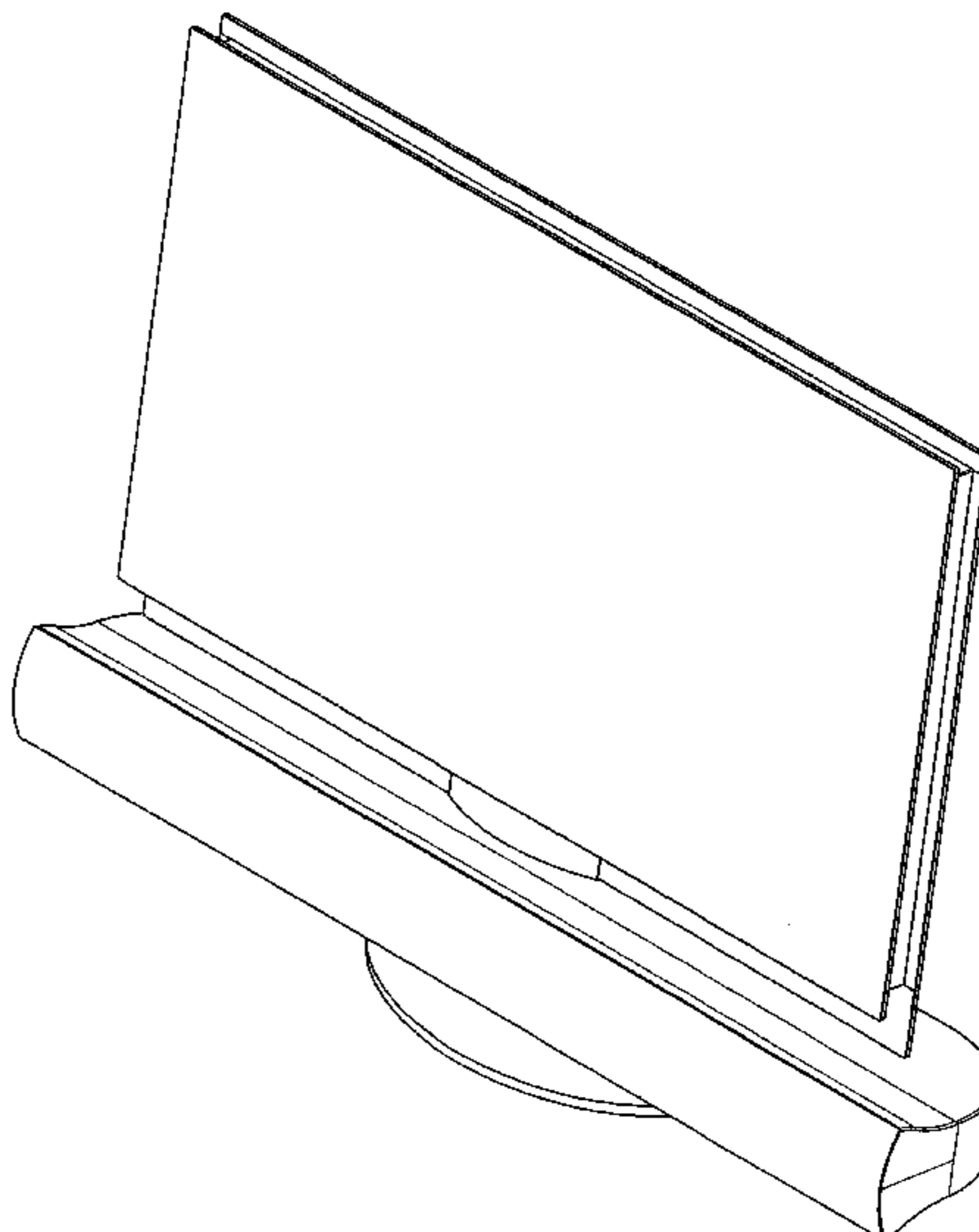
FIG. 20 is a left side elevational view thereof; the right side being a mirror image view thereof.

FIG. 21 top plan view thereof; and,

FIG. 22 is a bottom plan view thereof.

The elements shown separately in FIGS. 8-22 are for ease of illustration only.

1 Claim, 22 Drawing Sheets



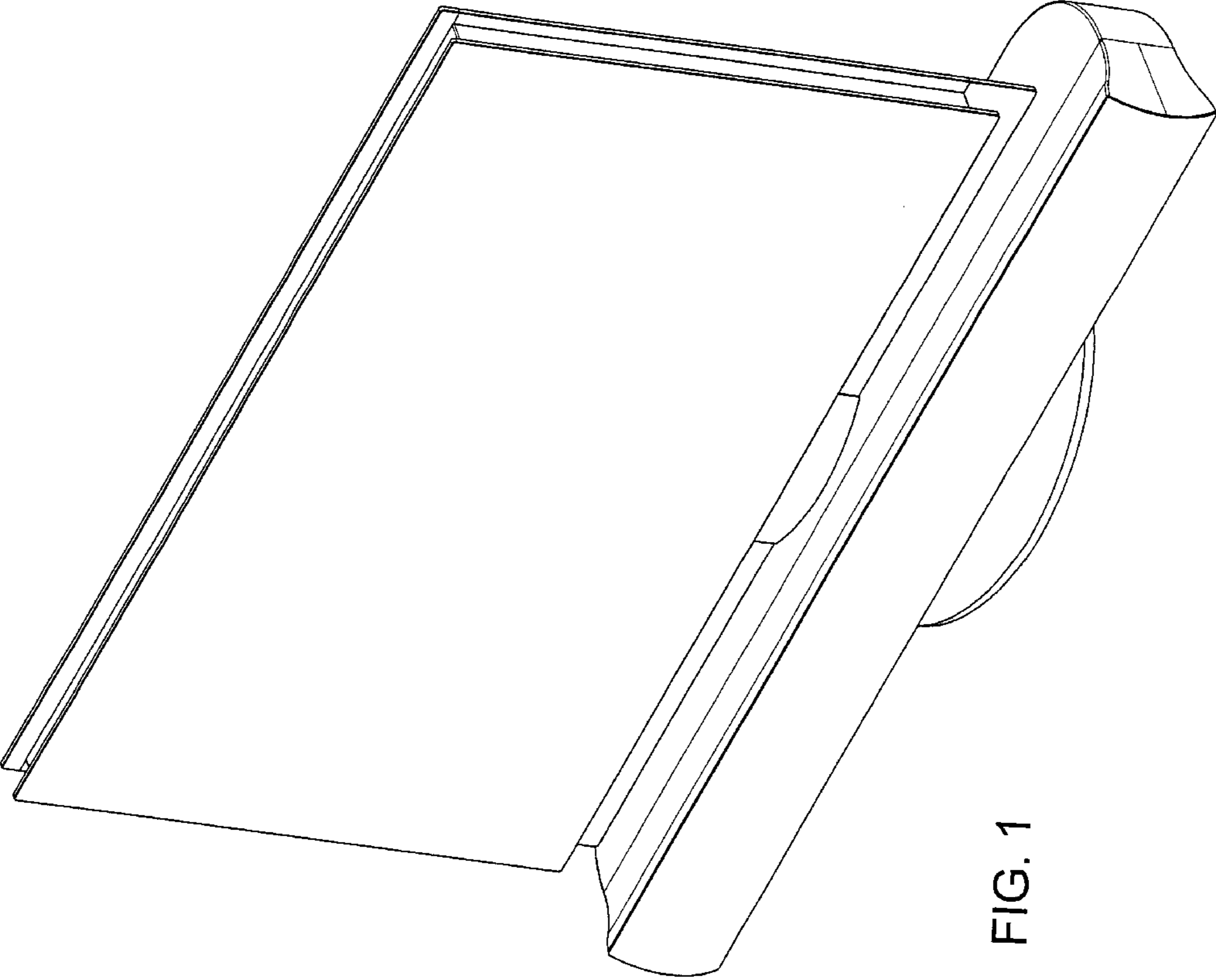


FIG. 1

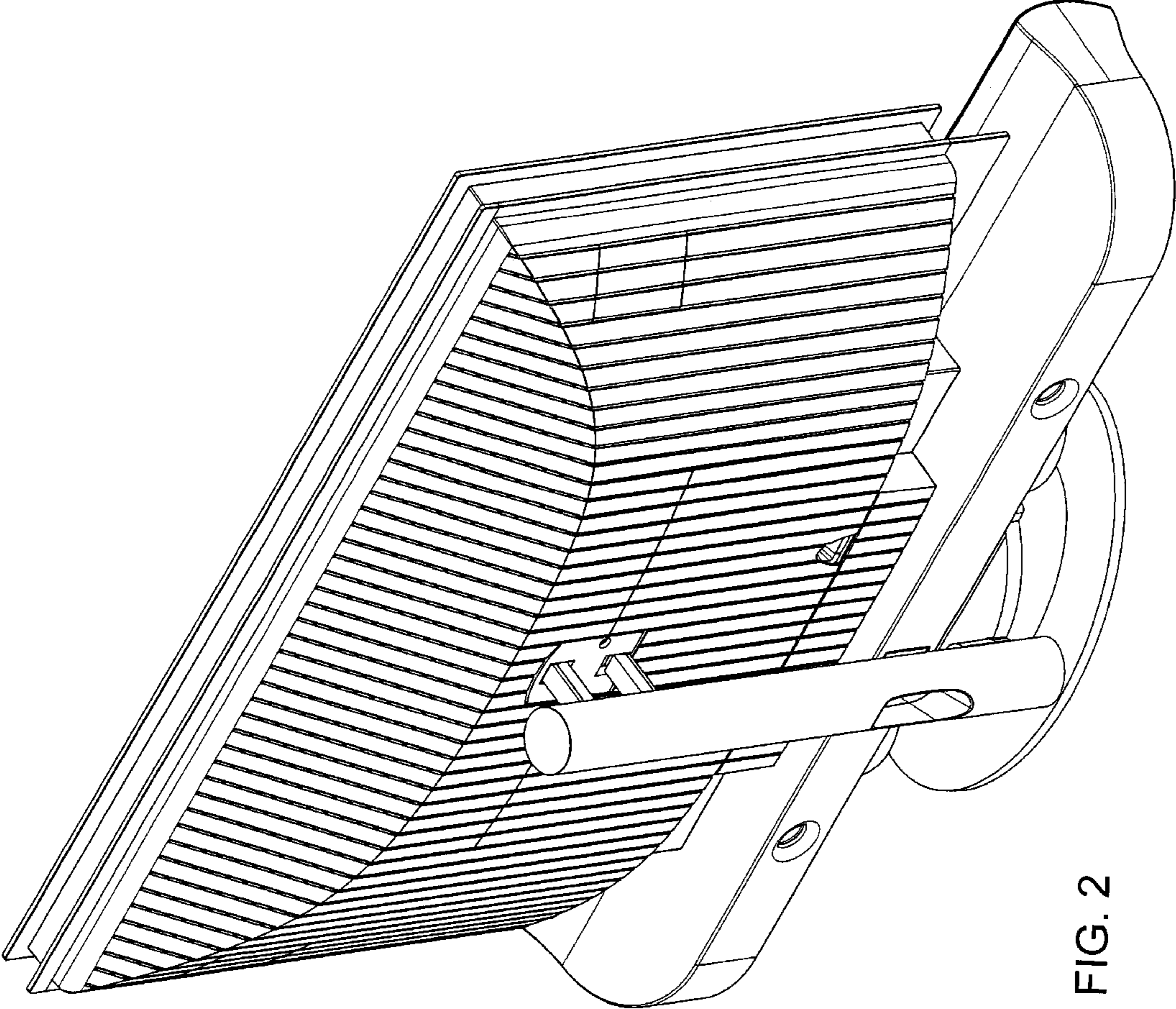


FIG. 2

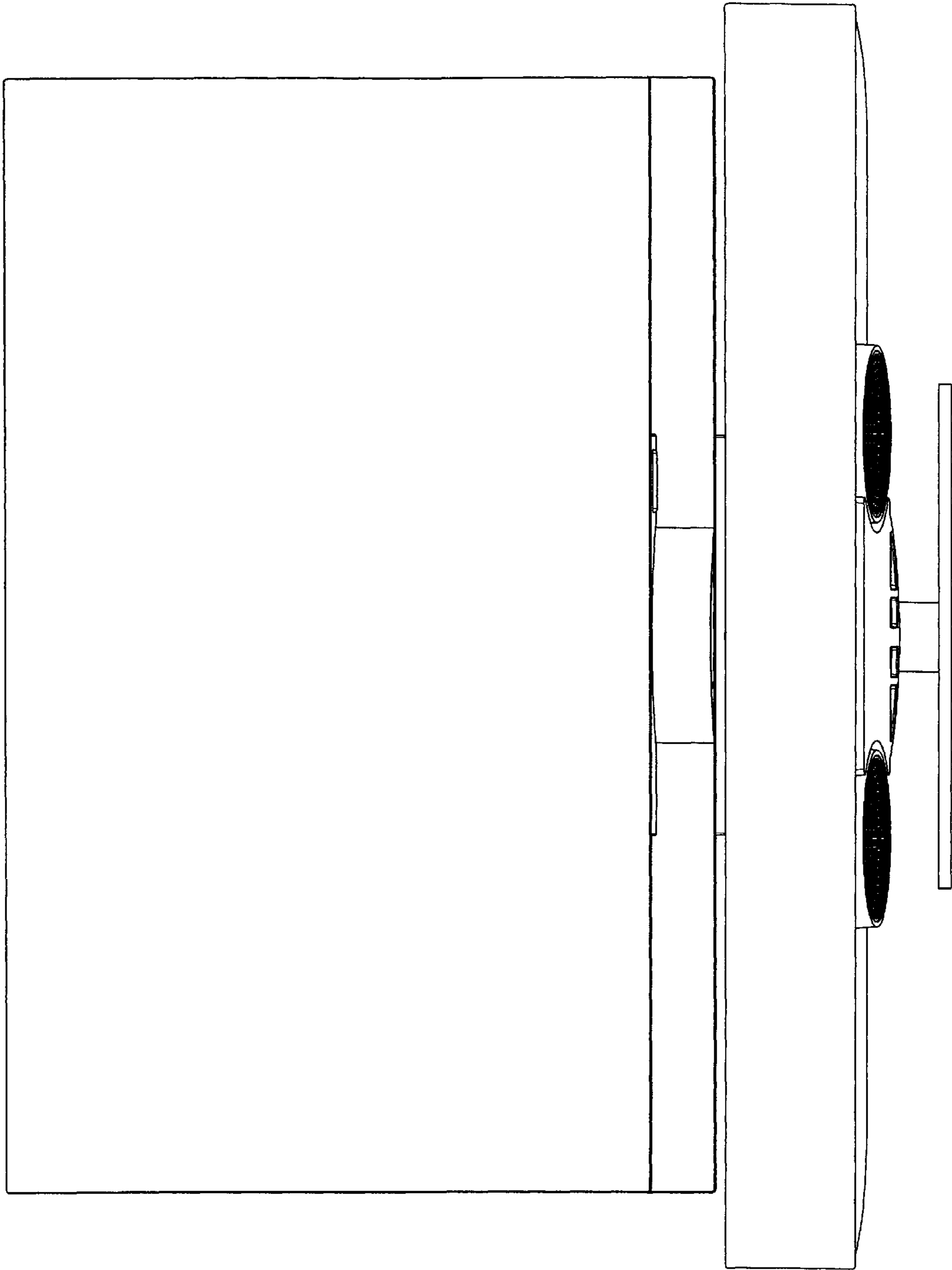


FIG. 3

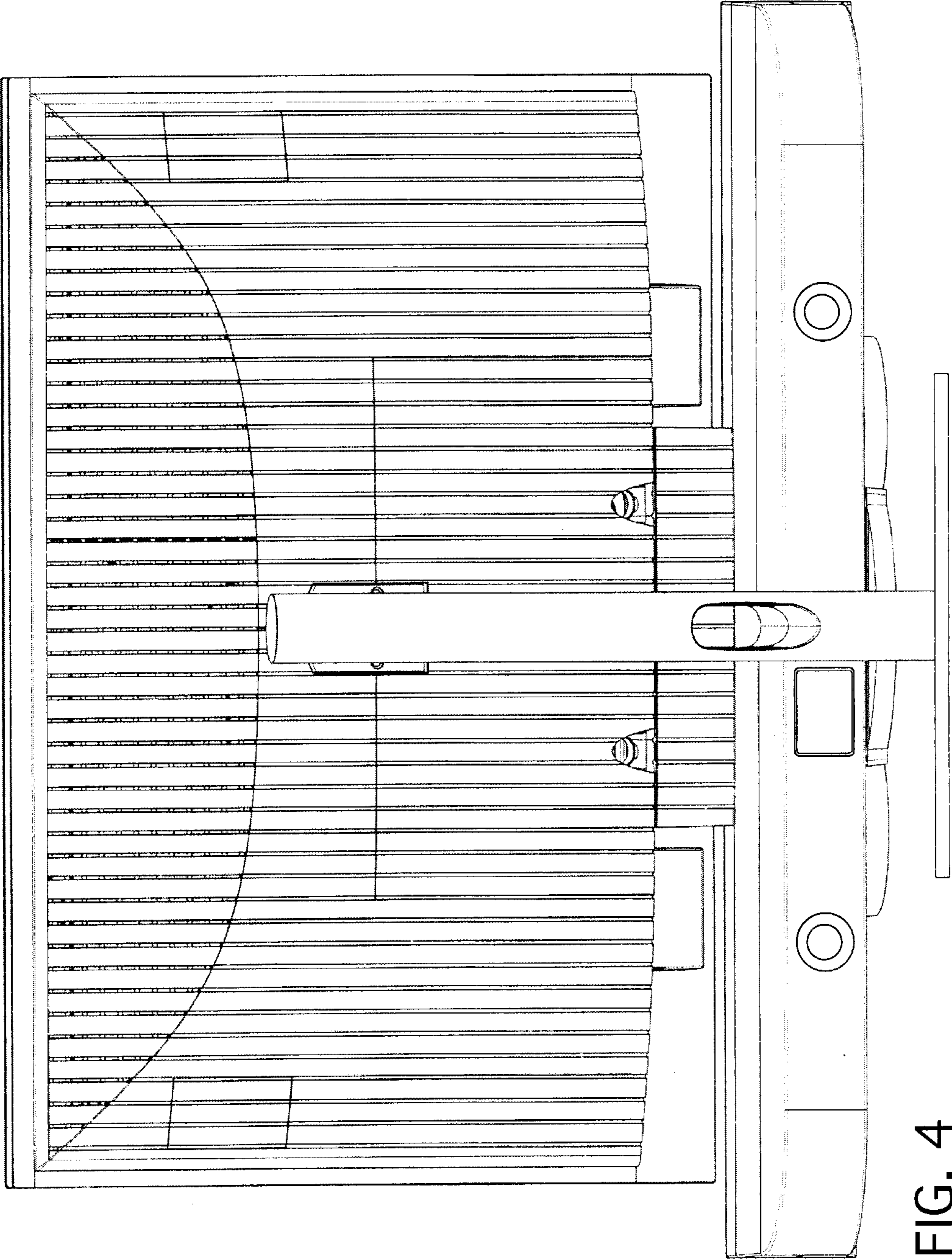


FIG. 4

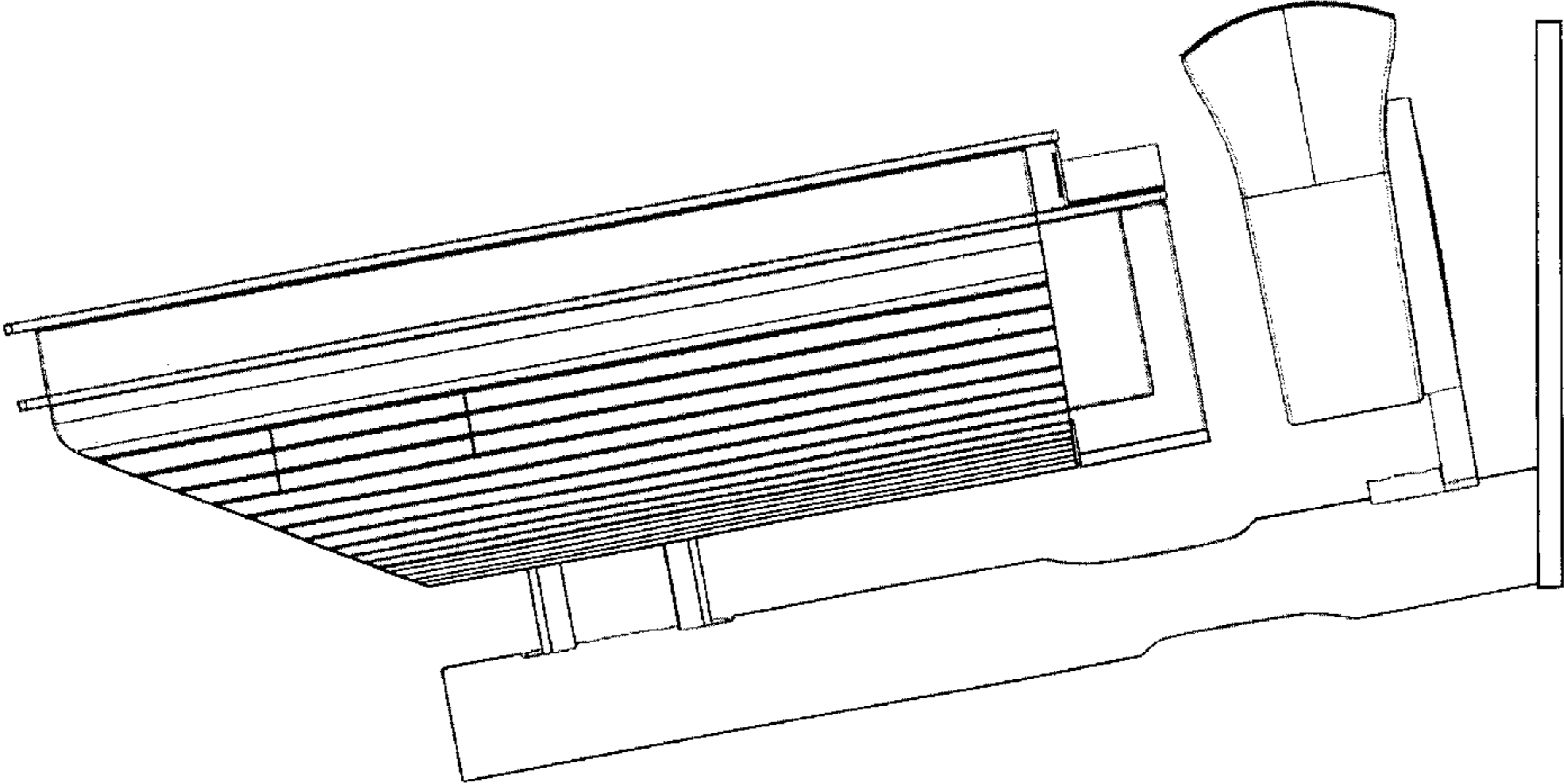


FIG. 5

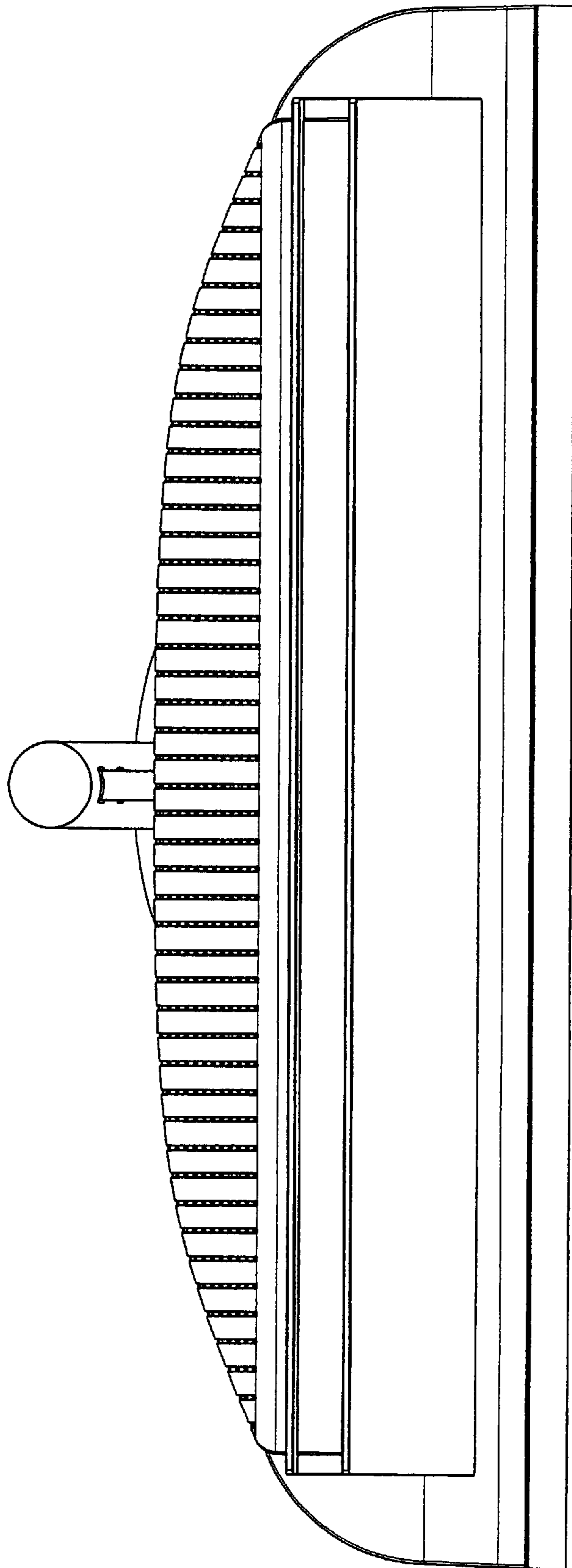


FIG. 6

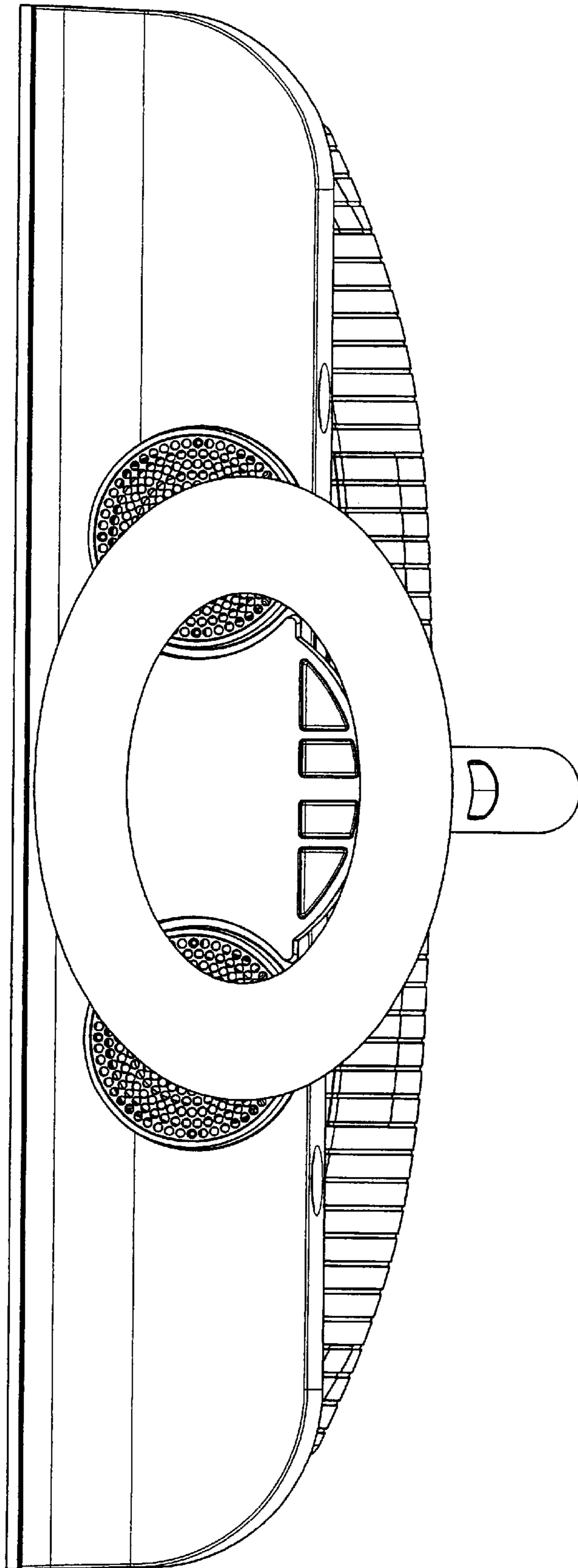


FIG. 7

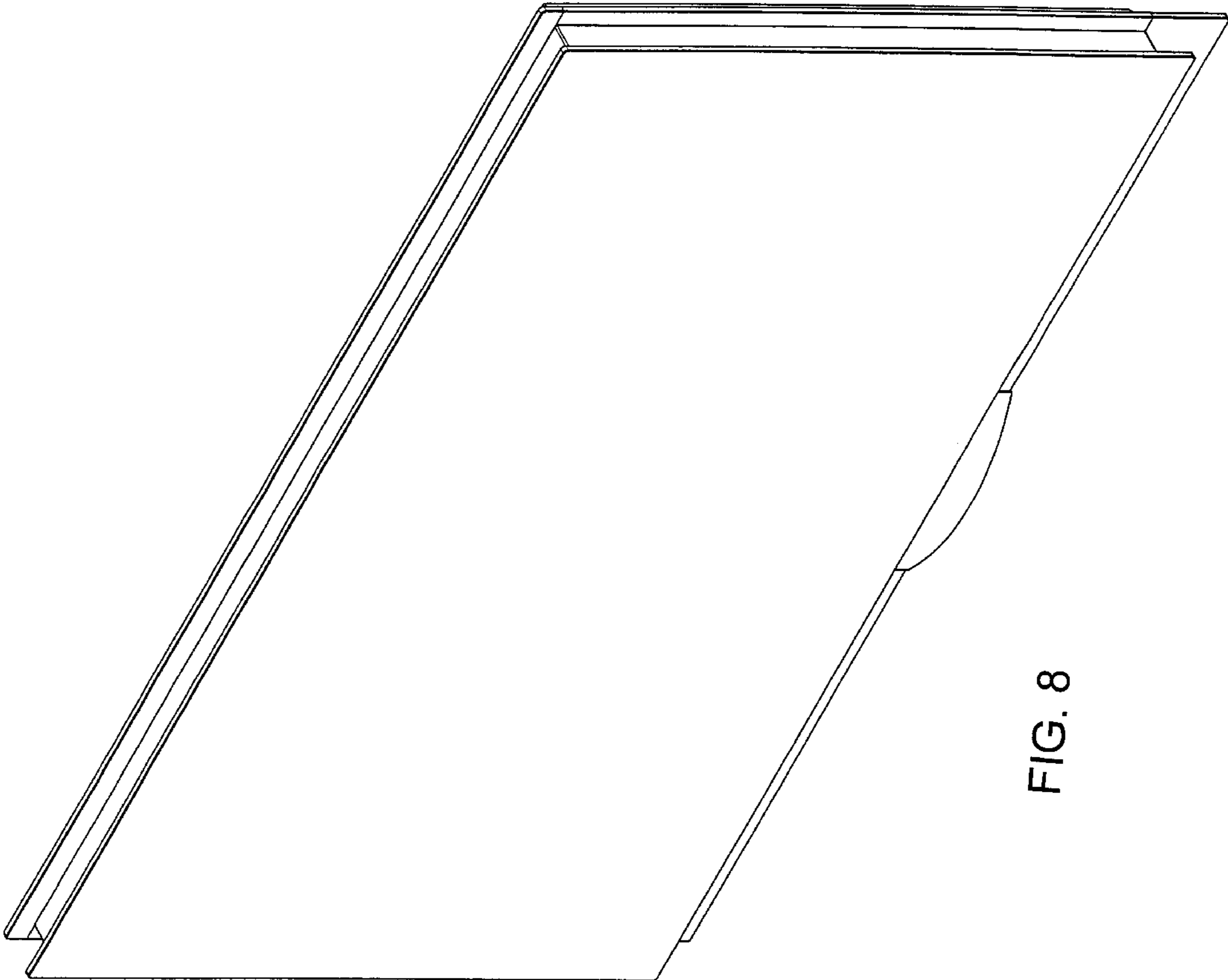


FIG. 8

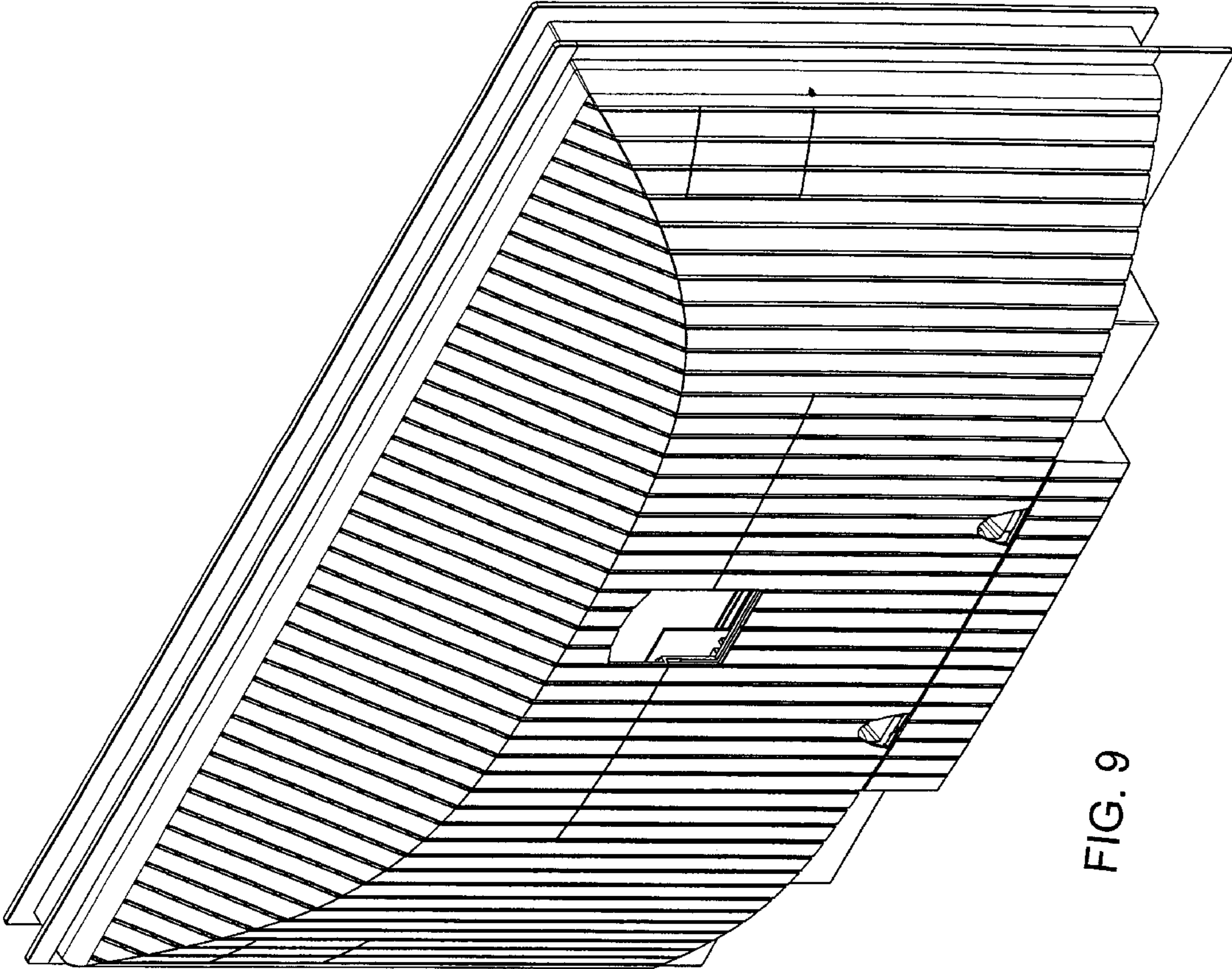


FIG. 9

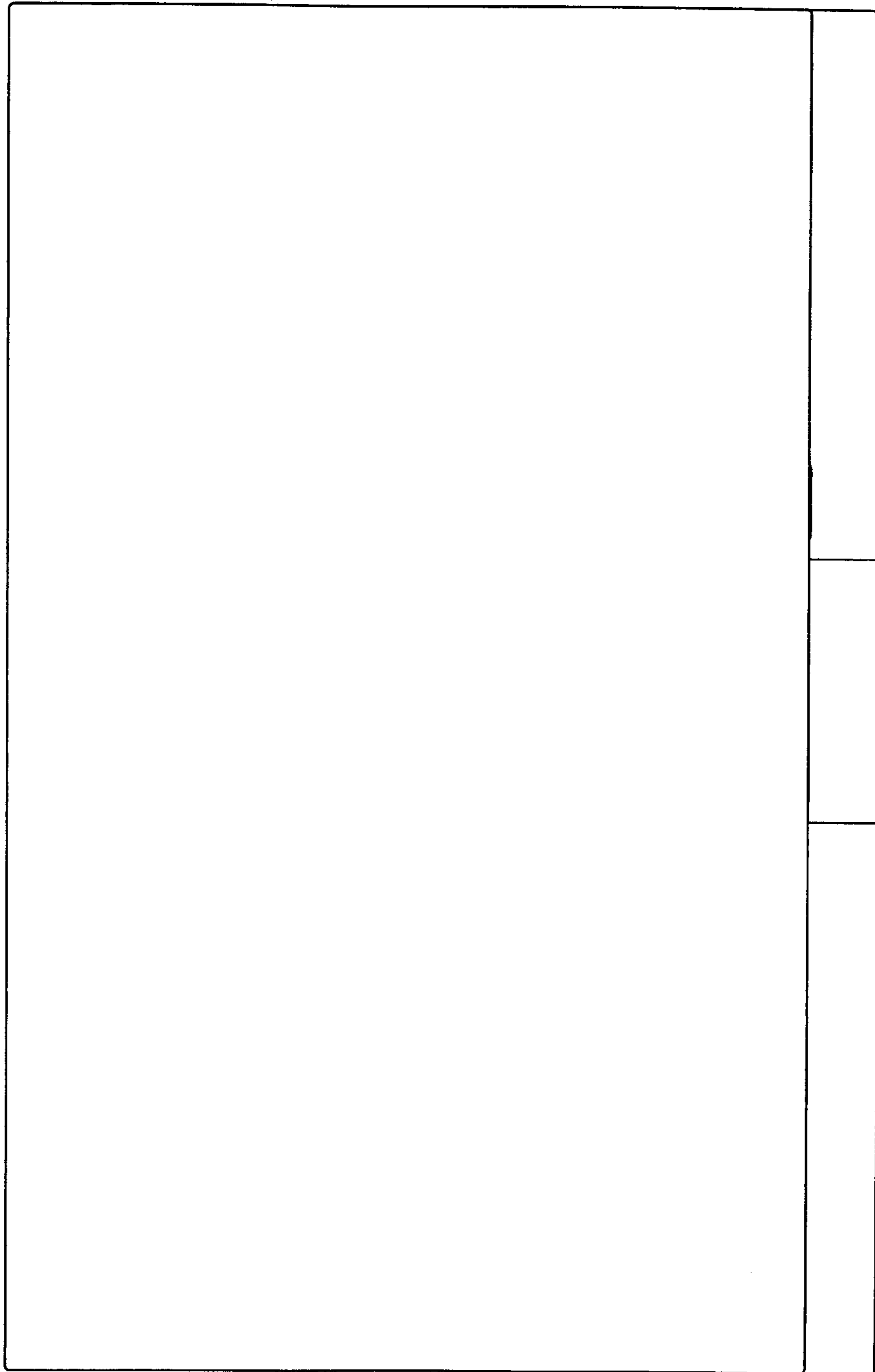


FIG. 10

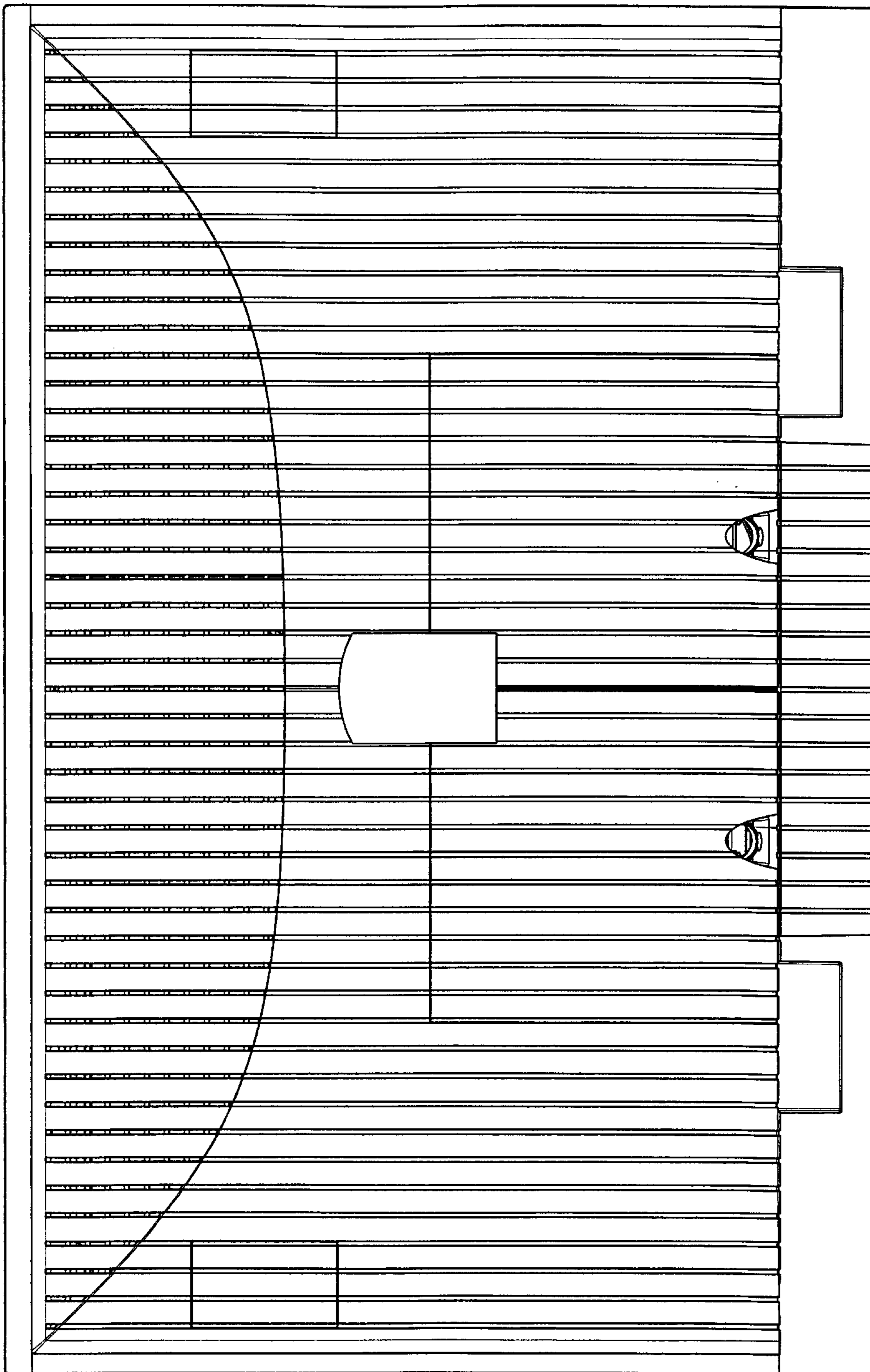


FIG. 11

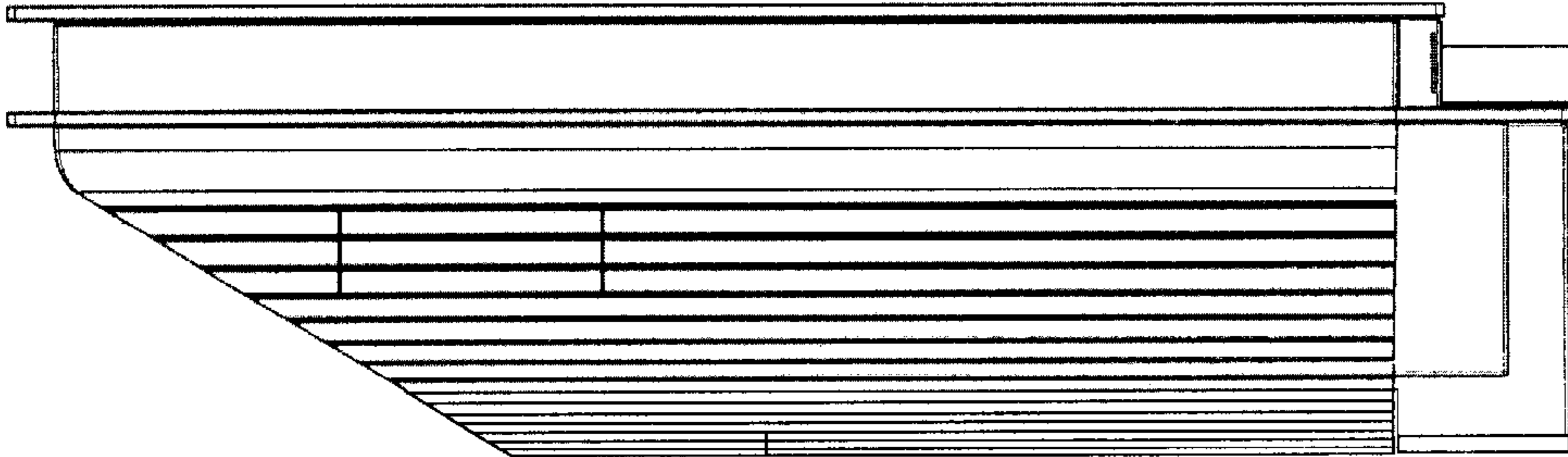


FIG. 12

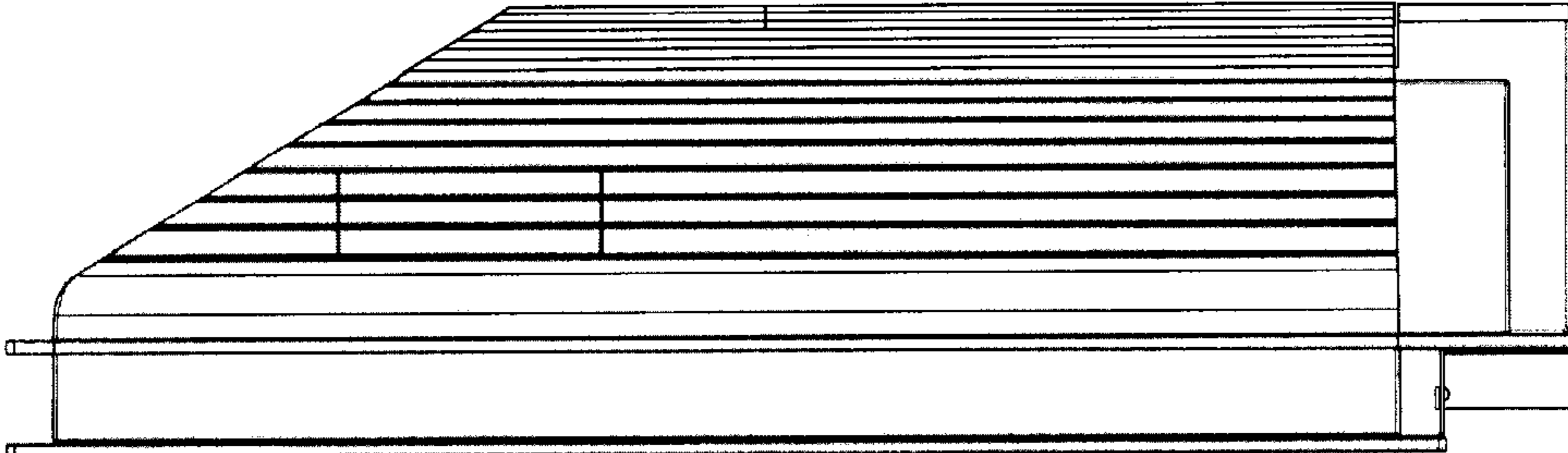


FIG. 13

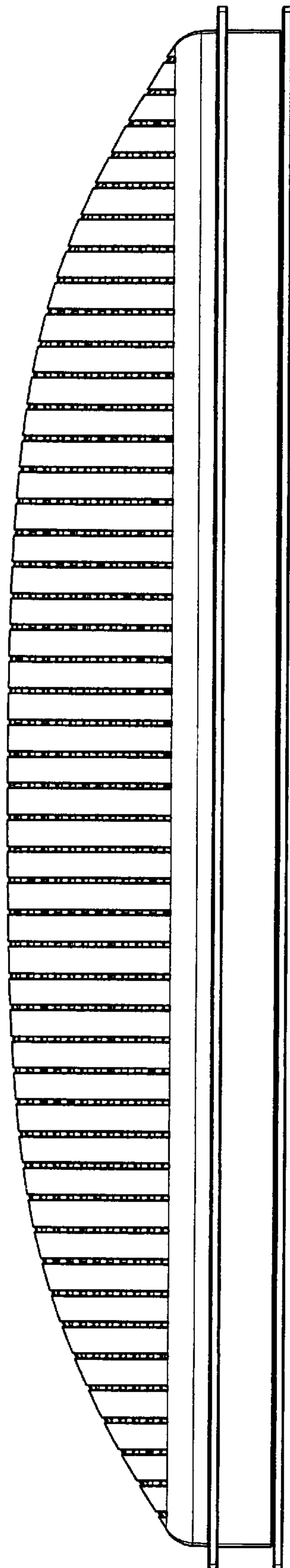


FIG. 14

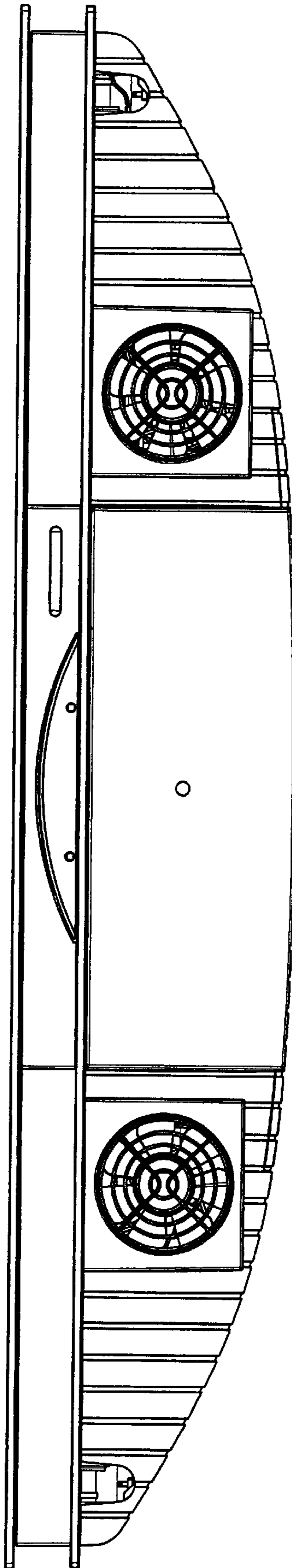


FIG. 15

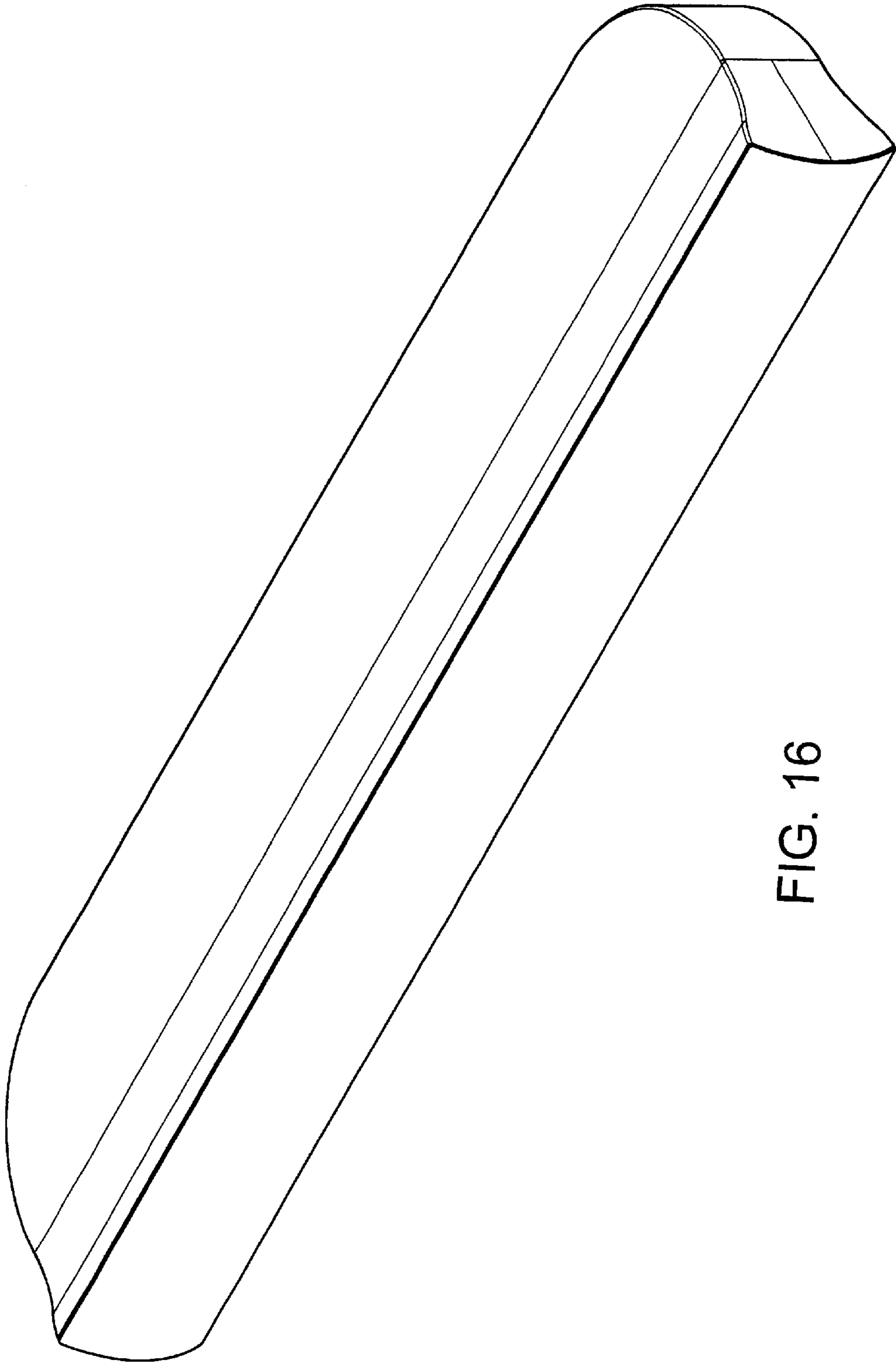


FIG. 16

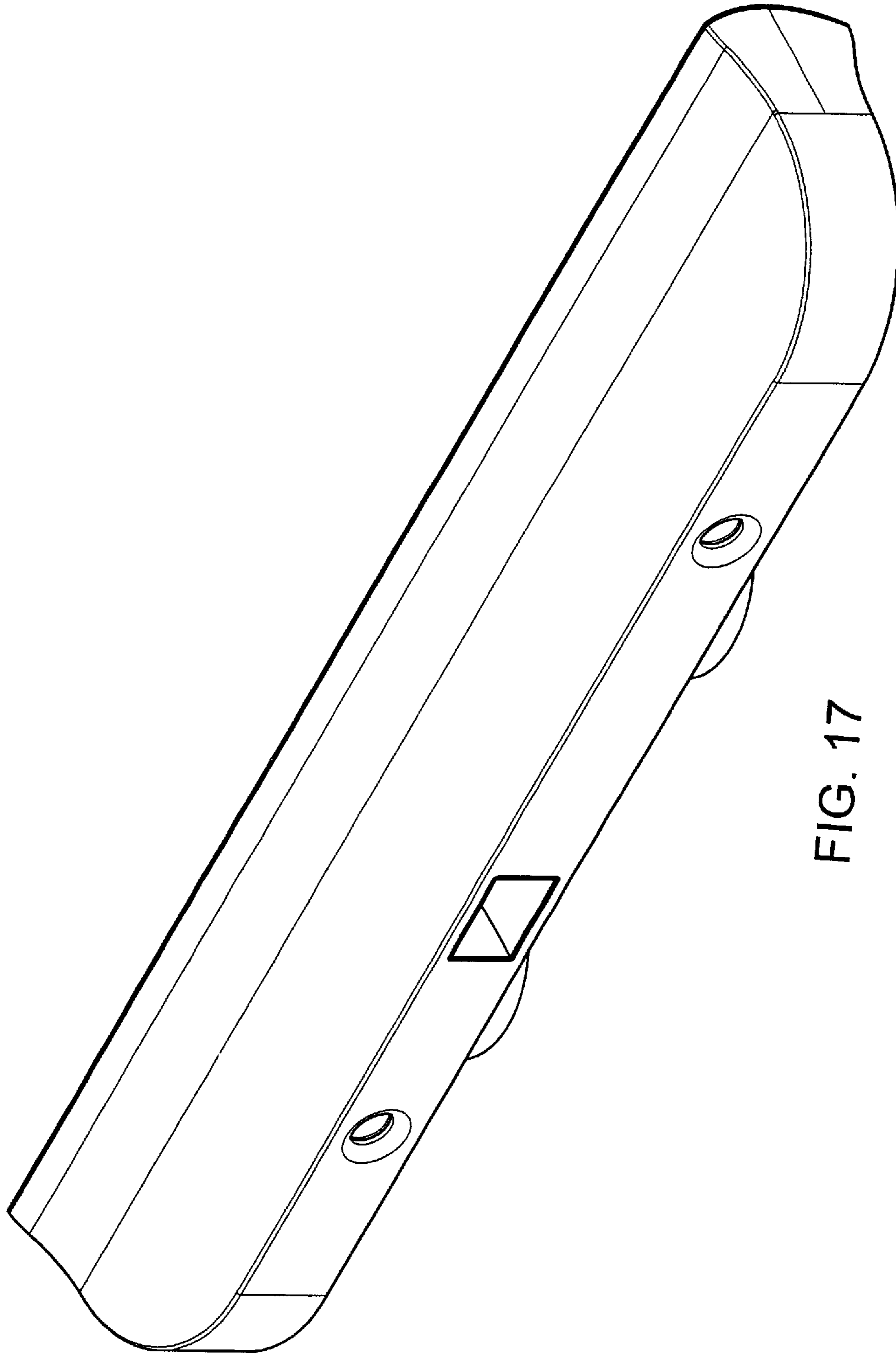


FIG. 17

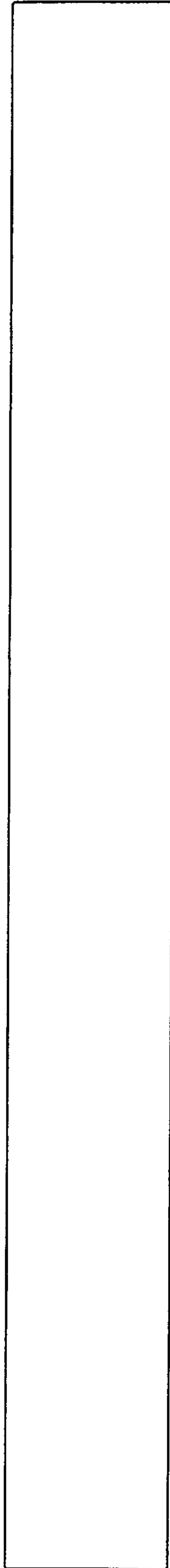


FIG. 18

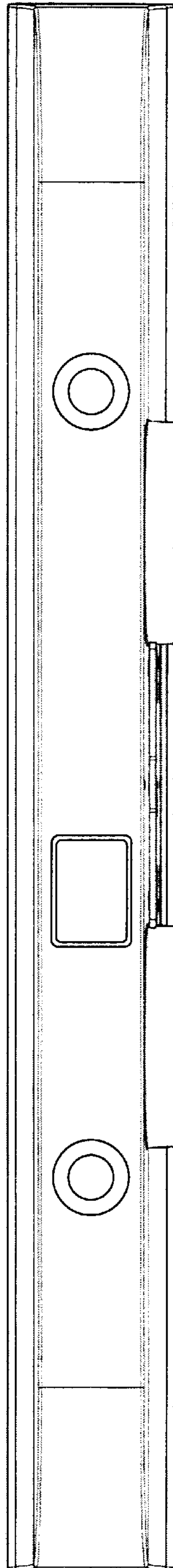


FIG. 19

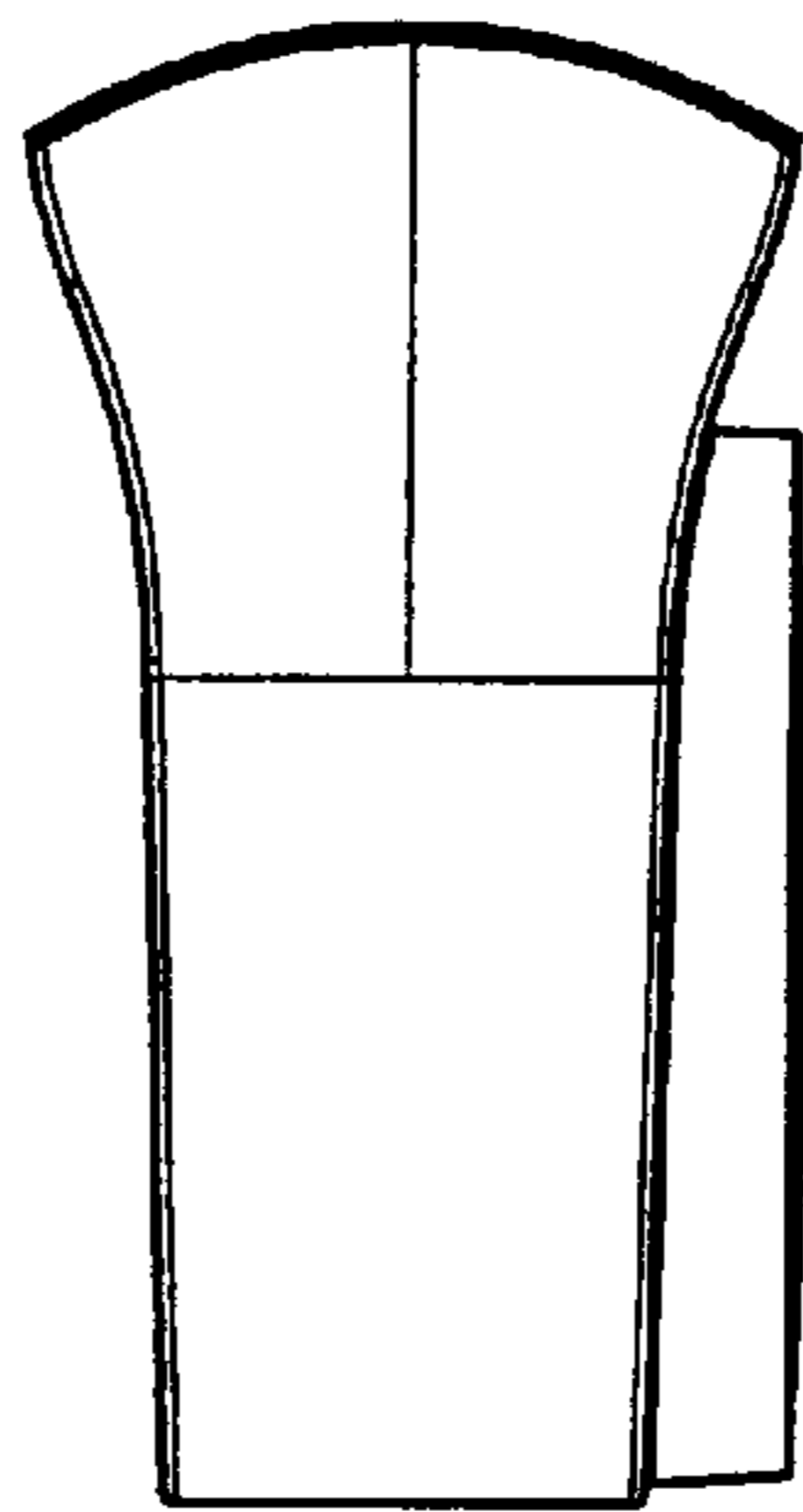


FIG. 20

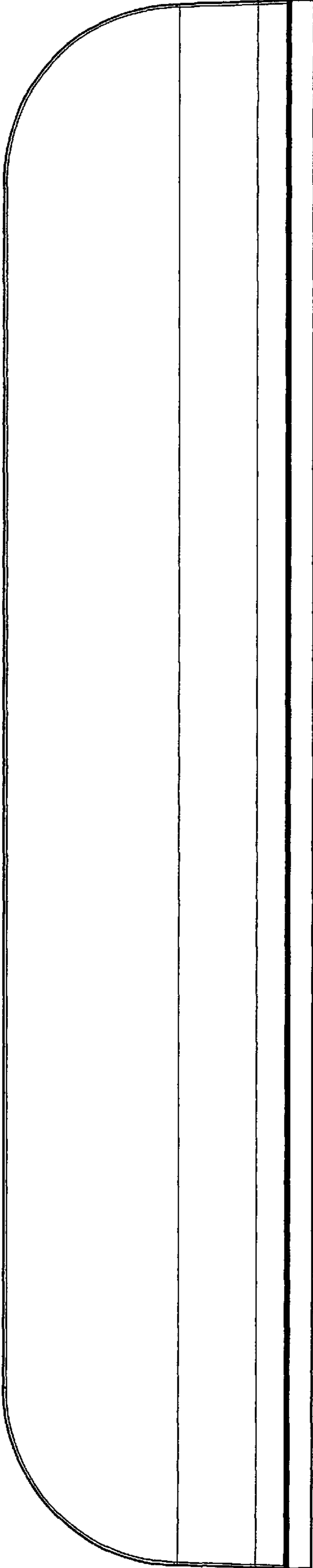


FIG. 21

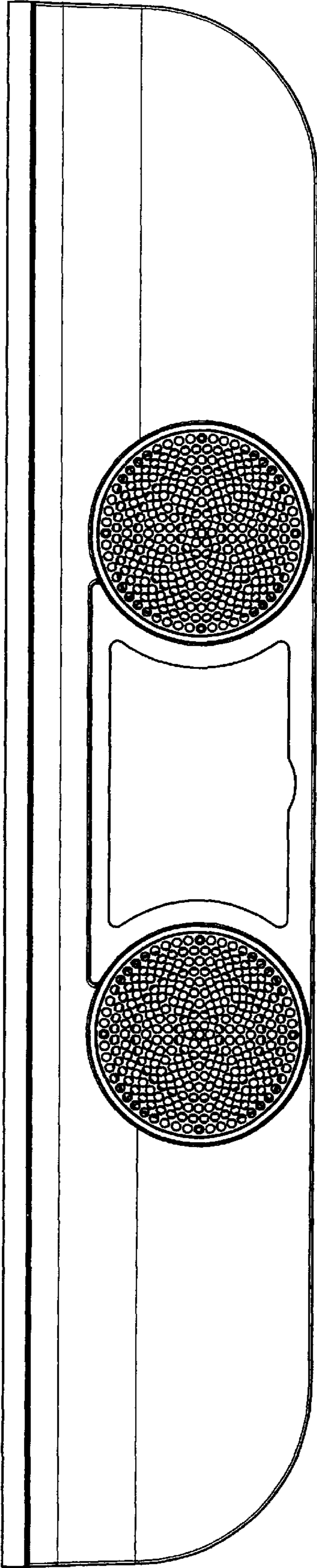


FIG. 22