

US00D540269S

(12) **United States Design Patent**
Inoue

(10) **Patent No.:** **US D540,269 S**

(45) **Date of Patent:** **** *Apr. 10, 2007**

(54) **PACKAGE FOR LIGHT EMITTING DIODE**

FOREIGN PATENT DOCUMENTS

(75) Inventor: **Tomio Inoue**, Kyoto (JP)

TW 581547 3/2004

(73) Assignee: **Rohm Co., Ltd.**, Kyoto-shi (JP)

* cited by examiner

(*) Notice: This patent is subject to a terminal disclaimer.

Primary Examiner—Selina Sikder

(74) *Attorney, Agent, or Firm*—Rabin & Berdo, PC

(**) Term: **14 Years**

(57) **CLAIM**

I claim; the ornamental design for a package for light emitting diode, substantially as shown and described.

(21) Appl. No.: **29/227,033**

DESCRIPTION

(22) Filed: **Apr. 6, 2005**

FIG. 1 is a perspective view of a package for light emitting diode showing my new design, a lighting element is indicated in dashed lines for environmental purposes only;

(30) **Foreign Application Priority Data**

Oct. 18, 2004 (JP) 2004-034988

FIG. 2 is a front view thereof;

(51) **LOC (8) Cl.** **13-03**

FIG. 3 is a rear view thereof;

(52) **U.S. Cl.** **D13/180**

FIG. 4 is a right side view thereof;

(58) **Field of Classification Search** D13/180;

FIG. 5 is a top plan view thereof;

D26/2; 257/79, 80, 81, 82, 88, 89, 95, 98,

FIG. 6 is a bottom plan view thereof;

257/99, 100, 433, 434, 666; 313/483, 498,

FIG. 7 is a cross-sectional view taken along line 7—7 in FIG. 2;

313/500; 361/820; 362/235, 555, 800; 372/45

FIG. 8 is a cross-sectional view taken along line 8—8 in FIG. 2; and,

See application file for complete search history.

FIG. 9 is a cross-sectional view taken along line 9—9 in FIG. 2.

(56) **References Cited**

U.S. PATENT DOCUMENTS

D478,877 S * 8/2003 Hoshiba D13/182

The subject matter illustrated in dashed lines in FIGS. 1 through 9 has been shown for illustrative purposes only and forms no part of the claimed design. The dash-dot lines shown in FIGS. 1, 2 and 5–9 define the bounds of the claimed design and form no part thereof FIG. 1, 2, 7, 8 and 9 are lined for color (gray). This gray has a gray-scale value of about 1, i.e., 10% balck.

D500,292 S * 12/2004 Ishida D13/180

D500,294 S * 12/2004 Ishida D13/180

D501,831 S * 2/2005 Ishida D13/180

6,953,952 B2 * 10/2005 Asakawa 257/103

D511,148 S * 11/2005 Ishida D13/180

2005/0121688 A1 * 6/2005 Nagai et al. 257/99

1 Claim, 3 Drawing Sheets

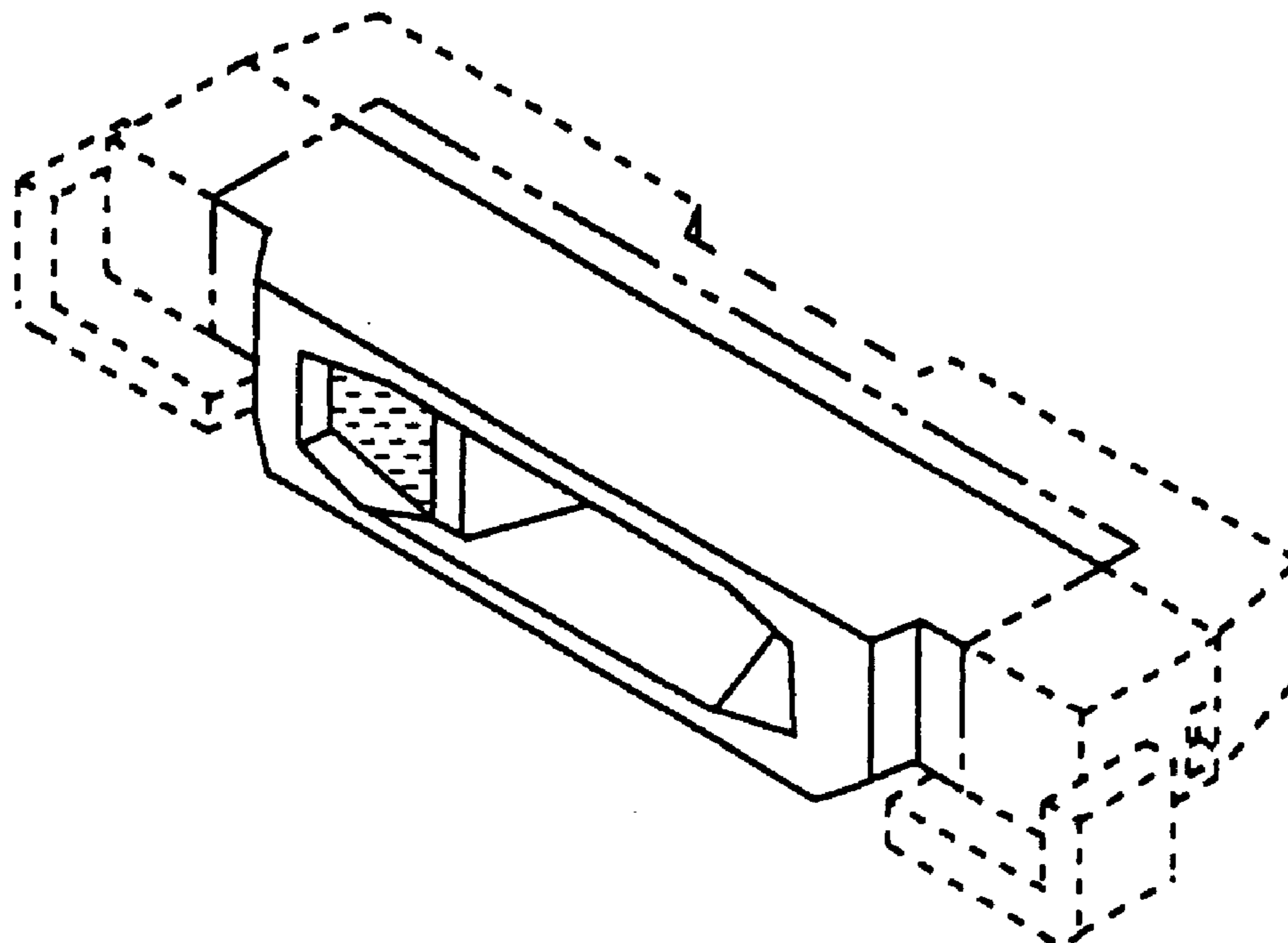


FIG. 1

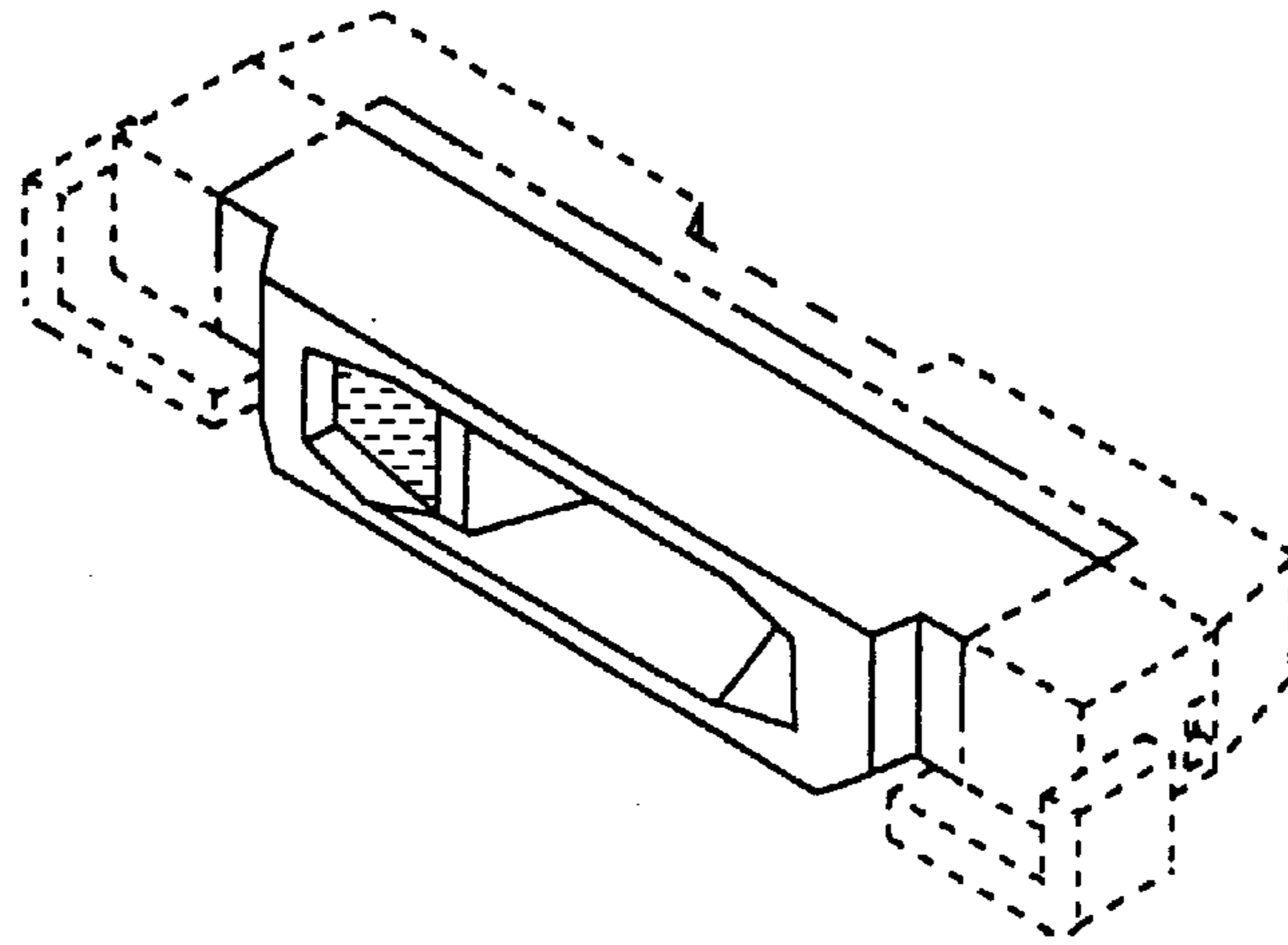


FIG. 2

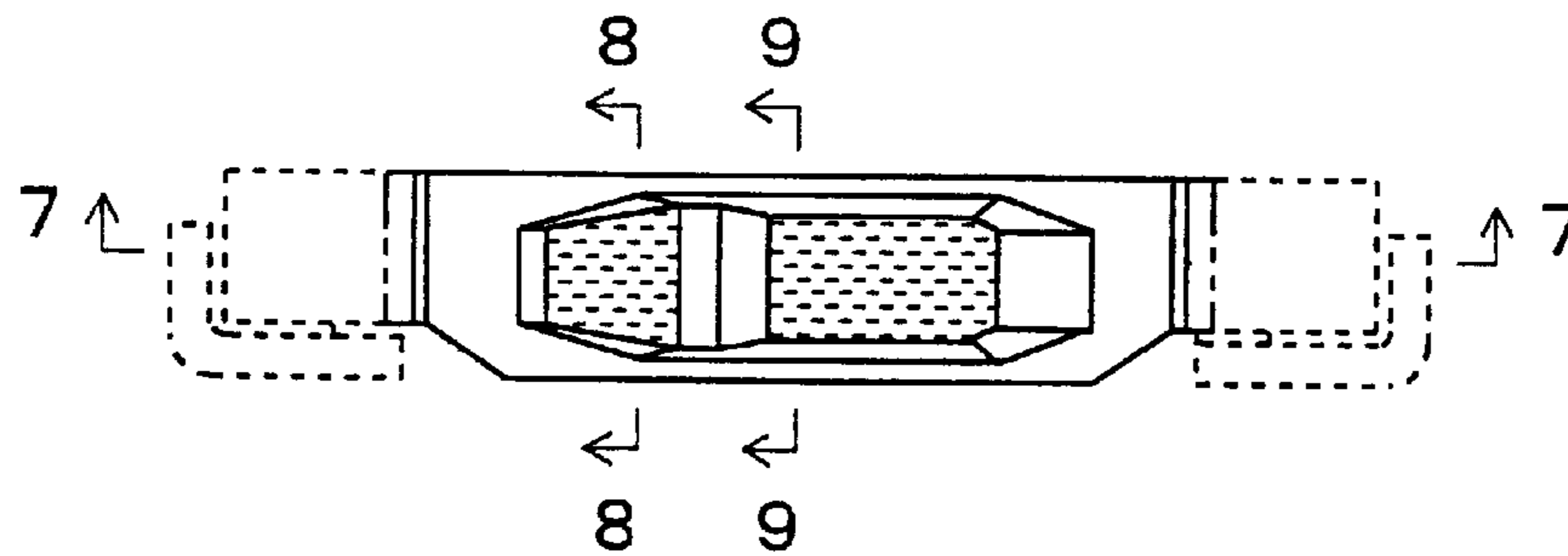


FIG. 3

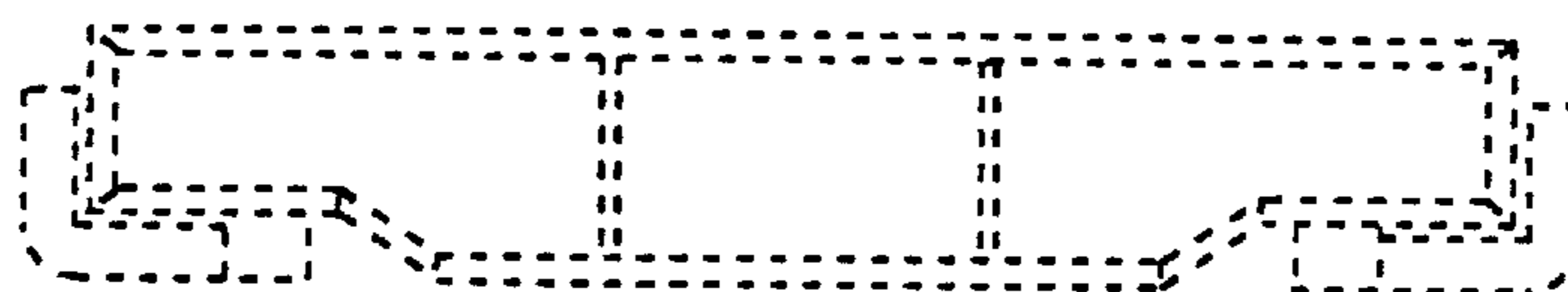


FIG. 4

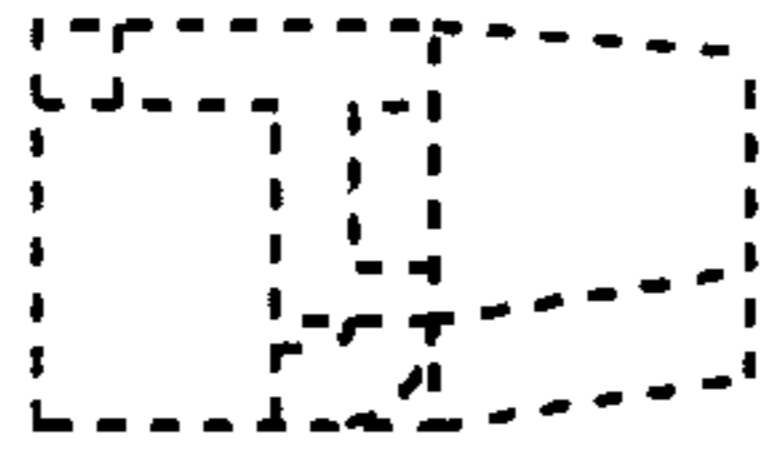


FIG. 5

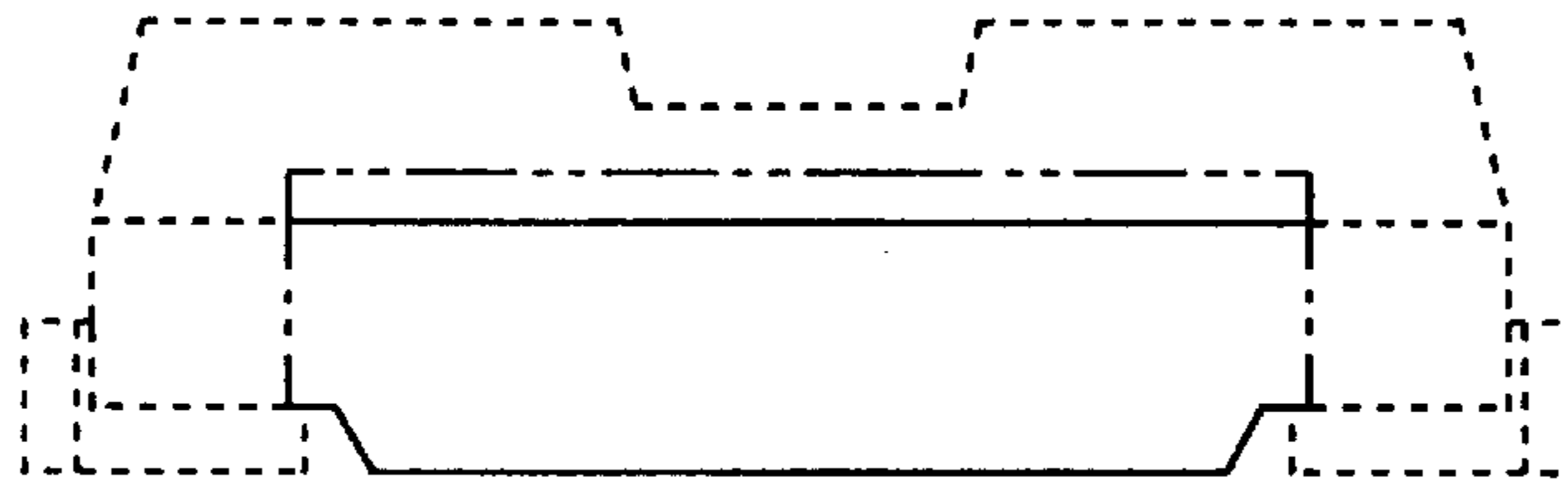


FIG. 6

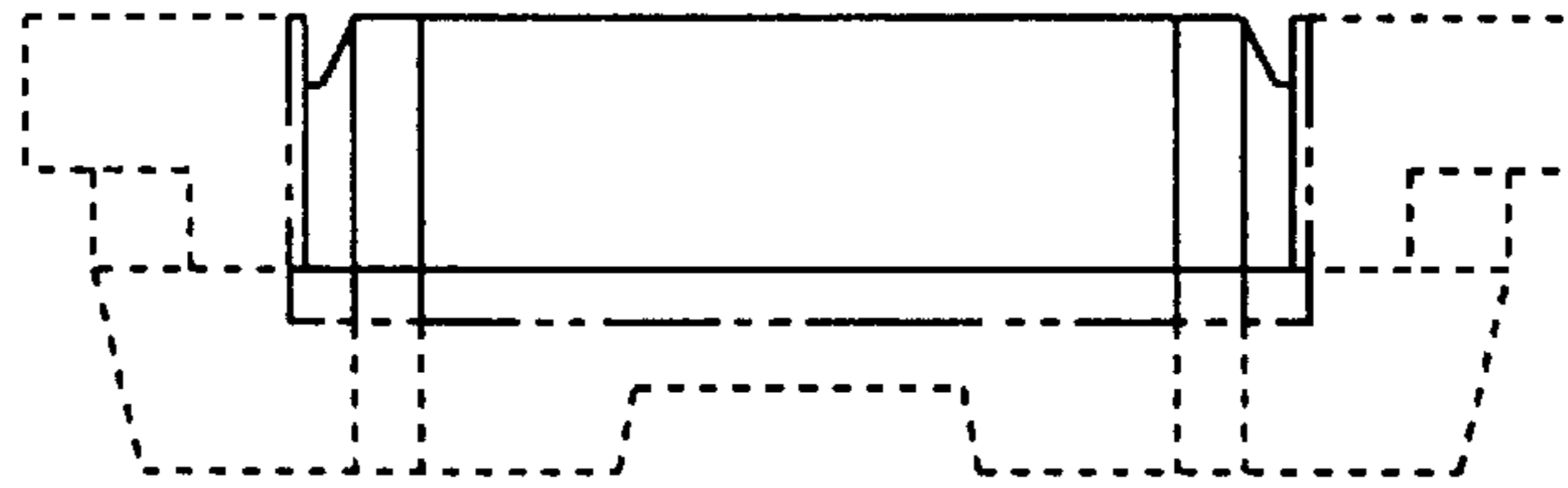


FIG. 7

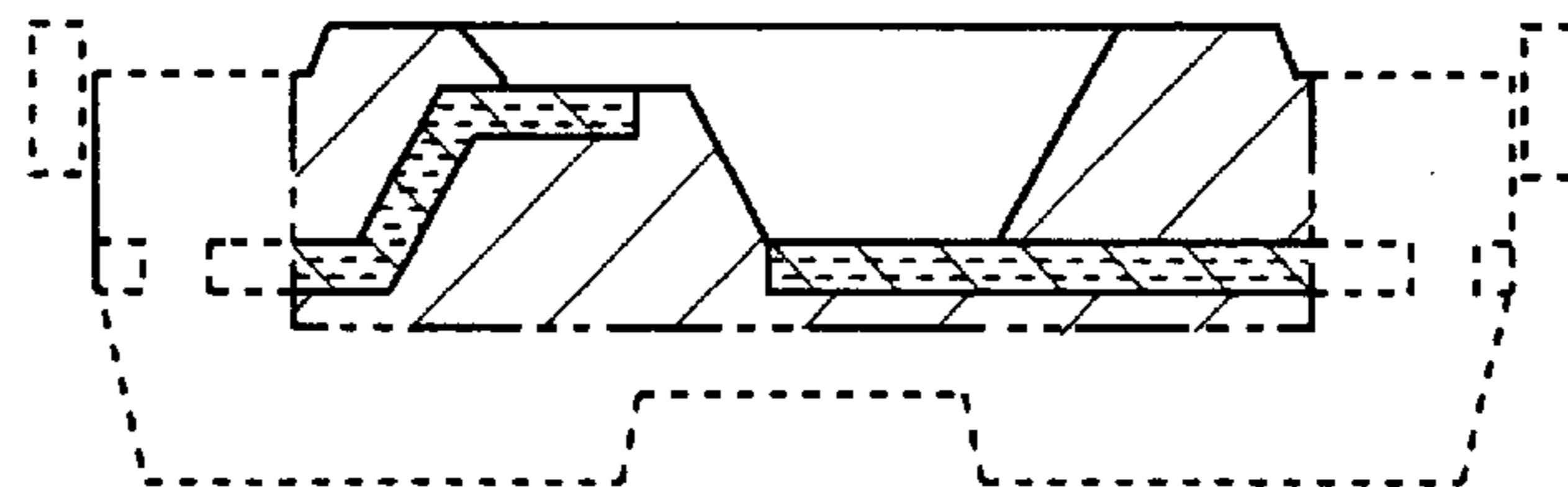


FIG. 8

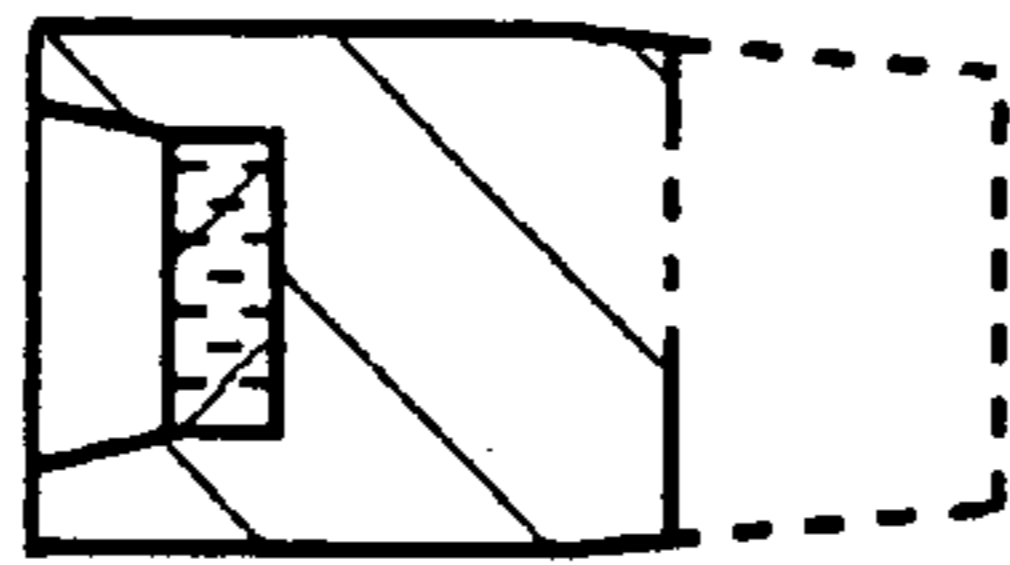


FIG. 9

