



US00D540267S

(12) **United States Design Patent**  
**Larson et al.**

(10) **Patent No.:** **US D540,267 S**  
(45) **Date of Patent:** **\*\* Apr. 10, 2007**

(54) **DIMMER SWITCH**

(75) Inventors: **Paul A. Larson**, Macungie, PA (US);  
**Joel S. Spira**, Coopersburg, PA (US)

(73) Assignee: **Lutron Electronics Co., Inc.**,  
Coopersburg, PA (US)

(\*\*) Term: **14 Years**

(21) Appl. No.: **29/264,663**

(22) Filed: **Aug. 15, 2006**

**Related U.S. Application Data**

(60) Division of application No. 29/214,402, filed on Oct. 1, 2004, which is a continuation-in-part of application No. 29/207,371, filed on Jun. 10, 2004.

(51) **LOC (8) Cl.** ..... **13-03**

(52) **U.S. Cl.** ..... **D13/162; D13/170; D13/171**

(58) **Field of Classification Search** ..... D13/162,  
D13/164, 169, 170, 171; D10/108, 116, 118;  
D8/353; 200/5 A, 293, 296, 297, 329, 333,  
200/335, 339, 341, 520, 530, 537, 552; 220/241;  
307/125, 139; 315/291-296

See application file for complete search history.

(56) **References Cited**

**U.S. PATENT DOCUMENTS**

D227,577 S	7/1973	Mayo	.....	D26/13 B
D249,141 S	8/1978	Mayo	.....	D13/32
D254,001 S	1/1980	Mayo	.....	D13/32

(Continued)

**OTHER PUBLICATIONS**

Technical Sheet for "MEM Tungsten Grid Dimmer Push On/Off Slide to Dim", by Eaton Electric Limited, Oldham, United Kingdom, 1 page, dated Apr. 28, 2003.

Instruction Sheet for "MultiDim Modular Panels", Doc. No. 7860032, 2 pages, by Philips, dated Feb. 11, 2001.

Product Literature for "MultiDim Control System", 2 pages numbered 1/14 and 4/14, by Philips, dated Jun. 2004.

*Primary Examiner*—Selina Sikder

(74) *Attorney, Agent, or Firm*—Drinker Biddle & Reath LLP

(57) **CLAIM**

The ornamental design for a dimmer switch, as shown and described.

**DESCRIPTION**

FIG. 1 is a front perspective view of a dimmer switch showing a first embodiment of our new design.

FIG. 2 is a front elevation view thereof.

FIG. 3 is a right side view thereof.

FIG. 4 is a left side view thereof.

FIG. 5 is a top view thereof.

FIG. 6 is a bottom view thereof.

FIG. 7 is a front perspective view of a dimmer switch according to a second embodiment of the design shown in FIG. 1.

FIG. 8 is a front elevation view thereof.

FIG. 9 is a right side view thereof.

FIG. 10 is a left side view thereof.

FIG. 11 is a top view thereof.

FIG. 12 is a bottom view thereof.

FIG. 13 is a front perspective view of a dimmer switch according to a third embodiment of the design shown in FIG. 1.

FIG. 14 is a front elevation view thereof.

FIG. 15 is a right side view thereof.

FIG. 16 is a left side view thereof.

FIG. 17 is a top view thereof.

FIG. 18 is a bottom view thereof.

FIG. 19 is a front perspective view of a dimmer switch according to a fourth embodiment of the design shown in FIG. 1.

FIG. 20 is a front elevation view thereof.

FIG. 21 is a right side view thereof.

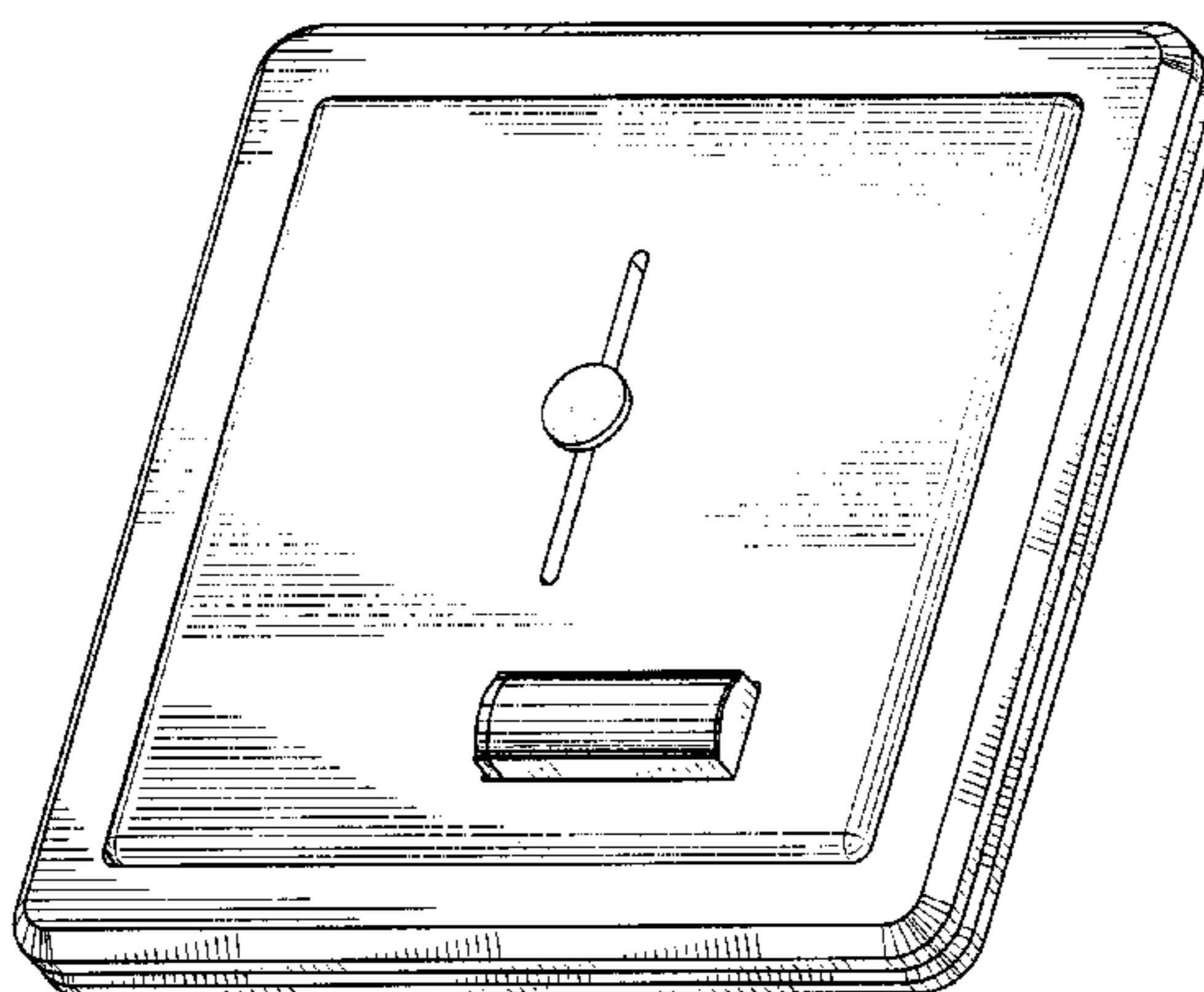
FIG. 22 is a left side view thereof.

FIG. 23 is a top view thereof; and,

FIG. 24 is a bottom view thereof.

The rear views form no part of the design and are omitted. The portions of the drawings appearing in broken line are for environment only and do not form a part of the design.

**1 Claim, 16 Drawing Sheets**



# US D540,267 S

Page 2

---

## U.S. PATENT DOCUMENTS

4,196,406 A	4/1980	Salem .....	333/141	D421,246 S	2/2000	Mayo et al. ....	D13/162
D311,485 S	10/1990	Jacoby et al. ....	D8/353	D422,567 S	4/2000	Mayo et al. ....	D13/162
D320,786 S	10/1991	Darnell et al. ....	D13/171	D436,930 S	1/2001	Butler .....	D13/162
D325,567 S	4/1992	Jacoby et al. ....	D13/170	D437,584 S	2/2001	Radosavljevic et al. ...	D13/170
D329,635 S	9/1992	Tsai .....	D13/110	D437,834 S	2/2001	Mayo et al. ....	D13/162
D380,451 S	7/1997	Krajci et al. ....	D13/170	D442,558 S	5/2001	Mayo et al. ....	D13/162
D384,038 S	9/1997	Ko .....	D13/162	D453,742 S	2/2002	Butler et al. ....	D13/164
D405,061 S	2/1999	Thomas .....	D13/170	D456,783 S	5/2002	Mayo et al. ....	D13/164
D409,579 S	5/1999	Thomas .....	D13/170	D457,863 S	5/2002	Jacoby .....	D13/170
D412,491 S	8/1999	Mayo et al. ....	D13/164	D461,782 S	8/2002	Butler et al. ....	D13/171
				D510,074 S	9/2005	Larson et al. ....	D13/164

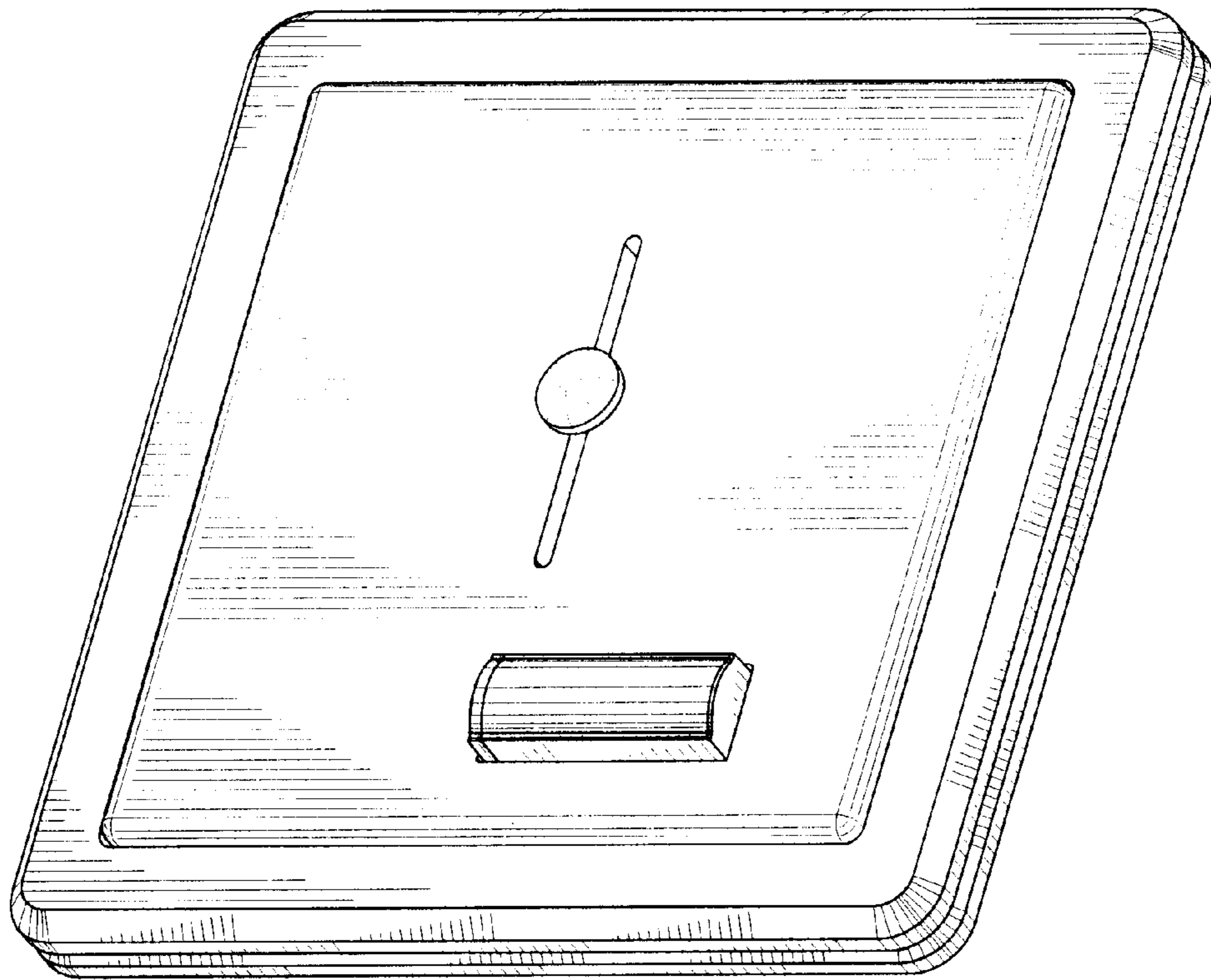


FIG. 1

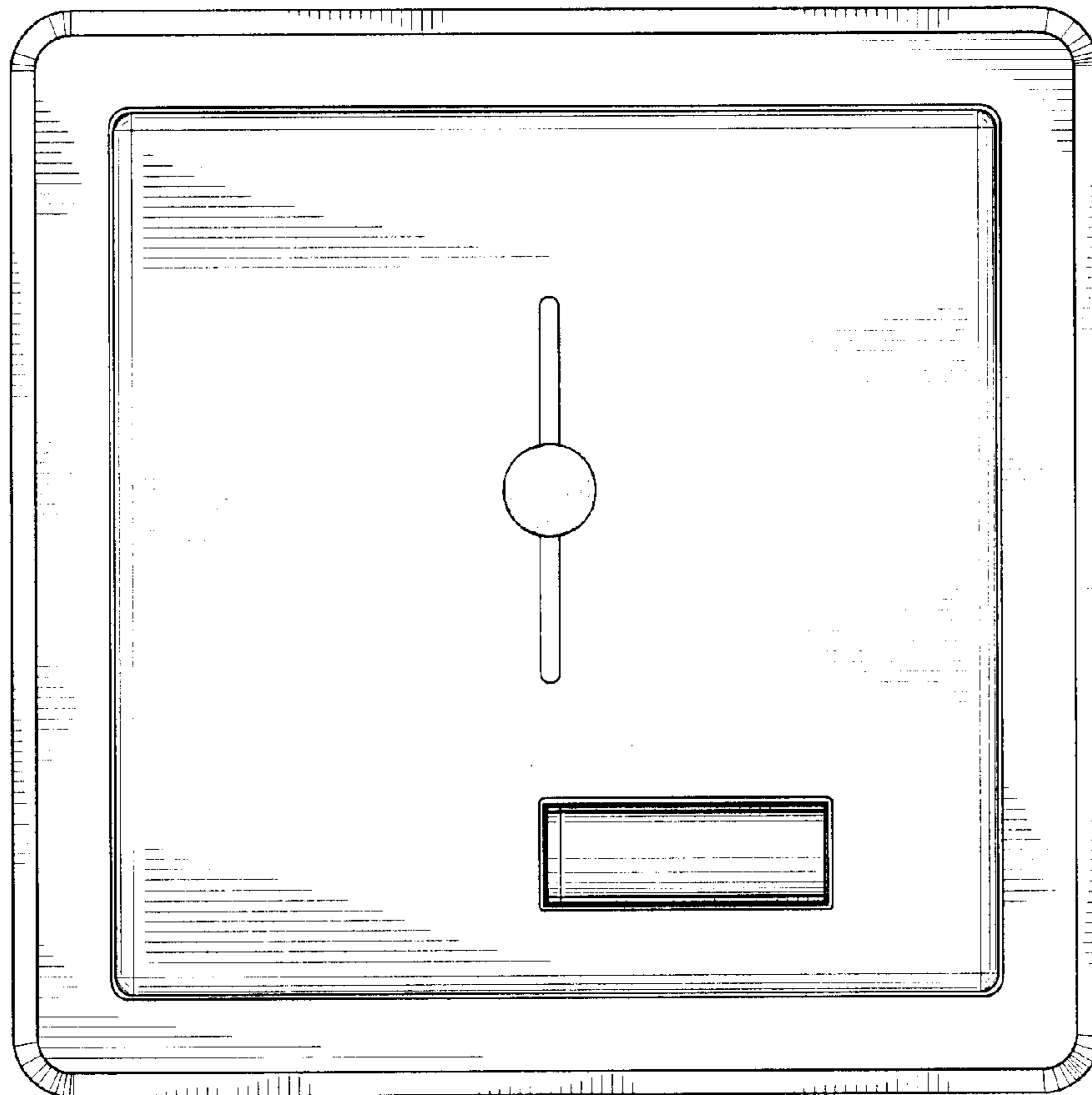


FIG. 2

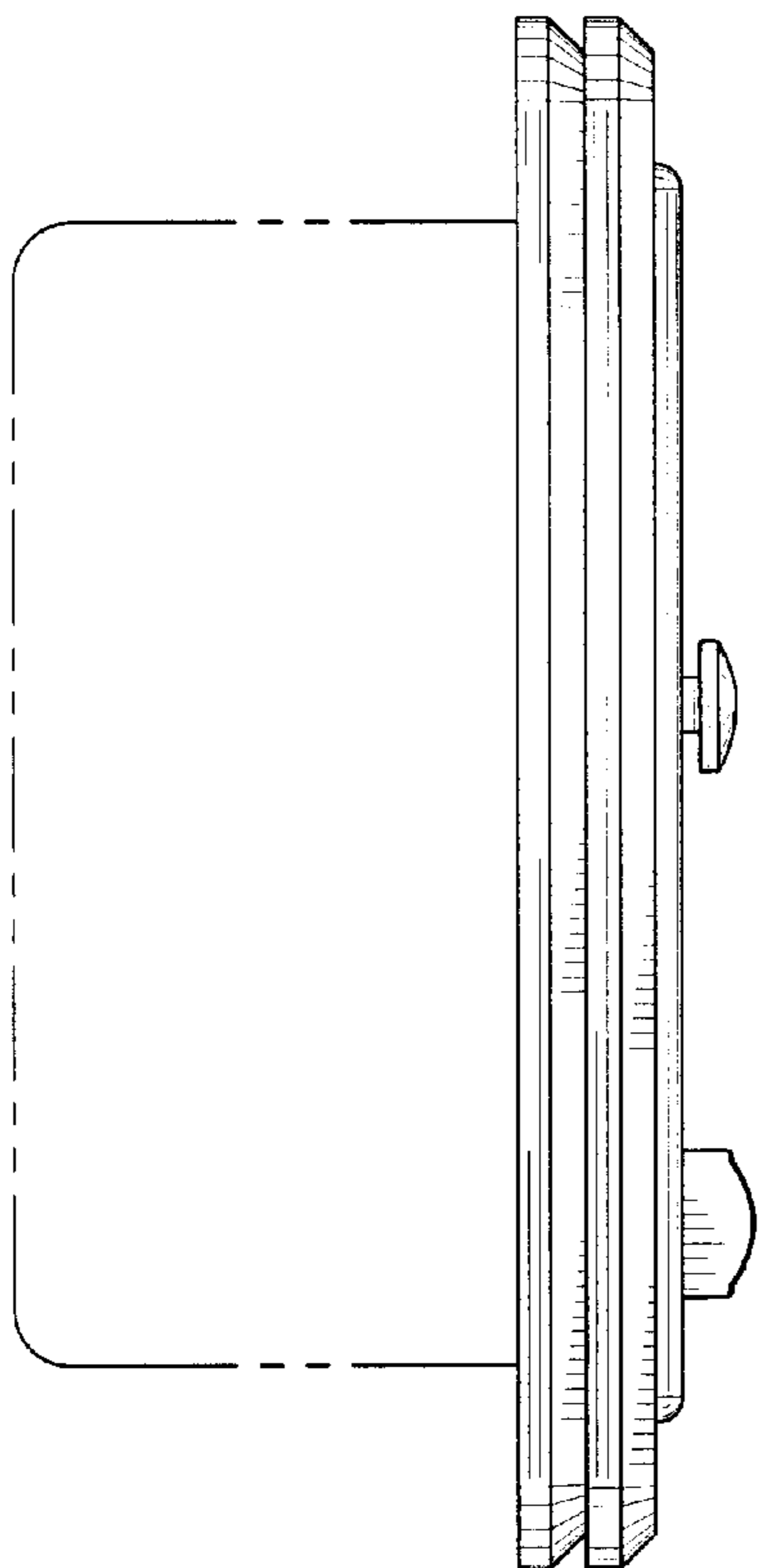


FIG. 4

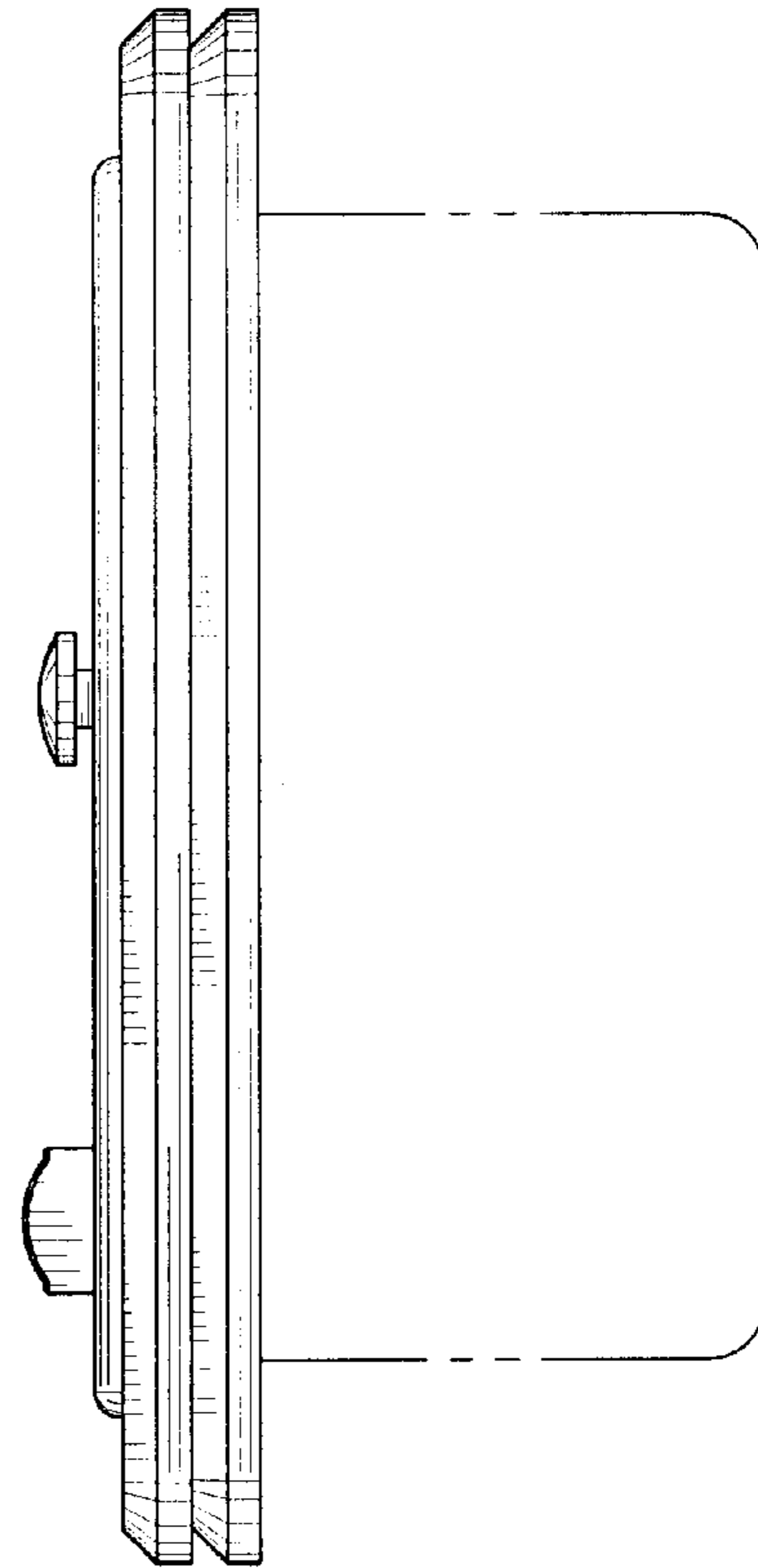


FIG. 3

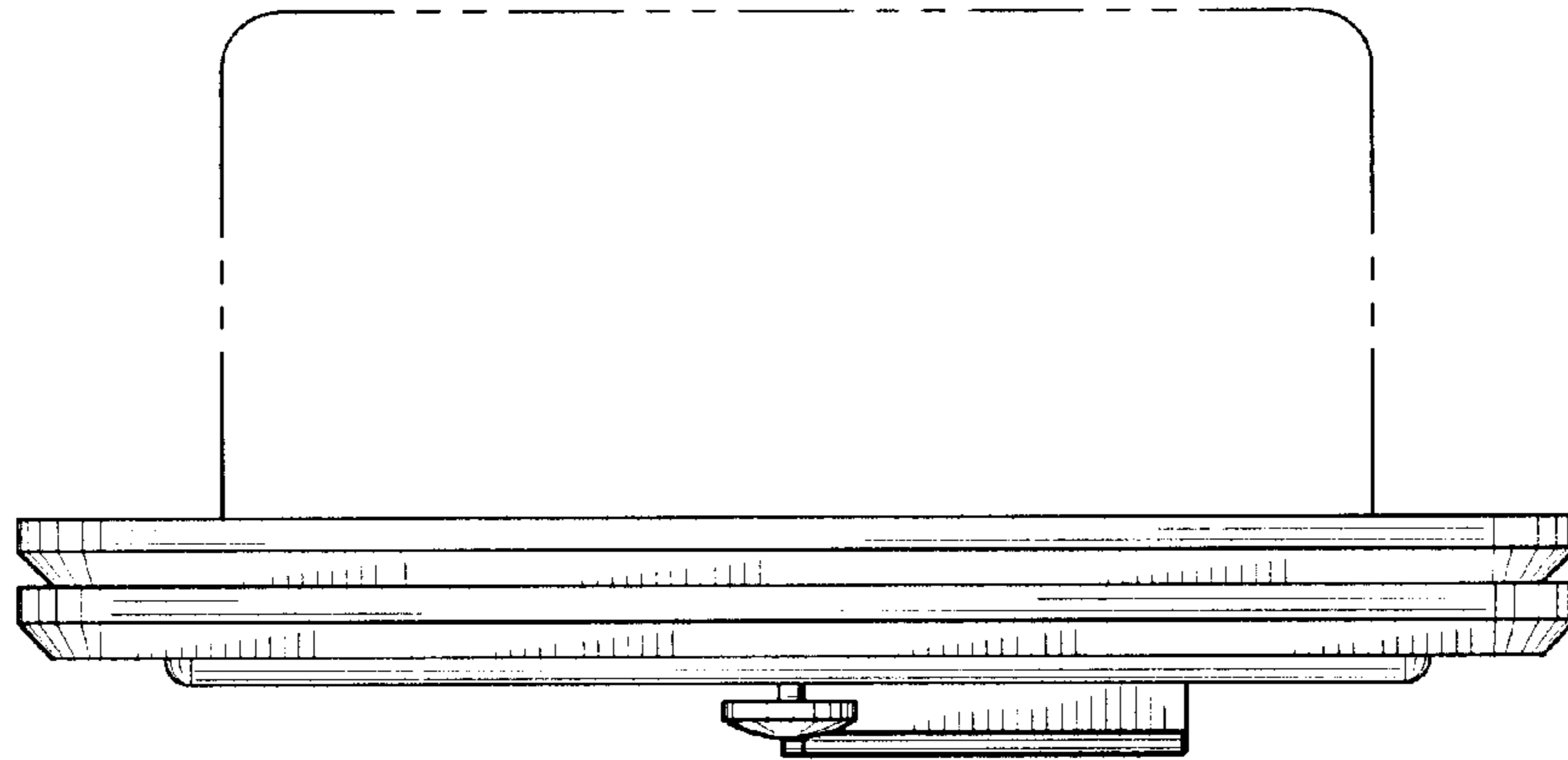


FIG. 5

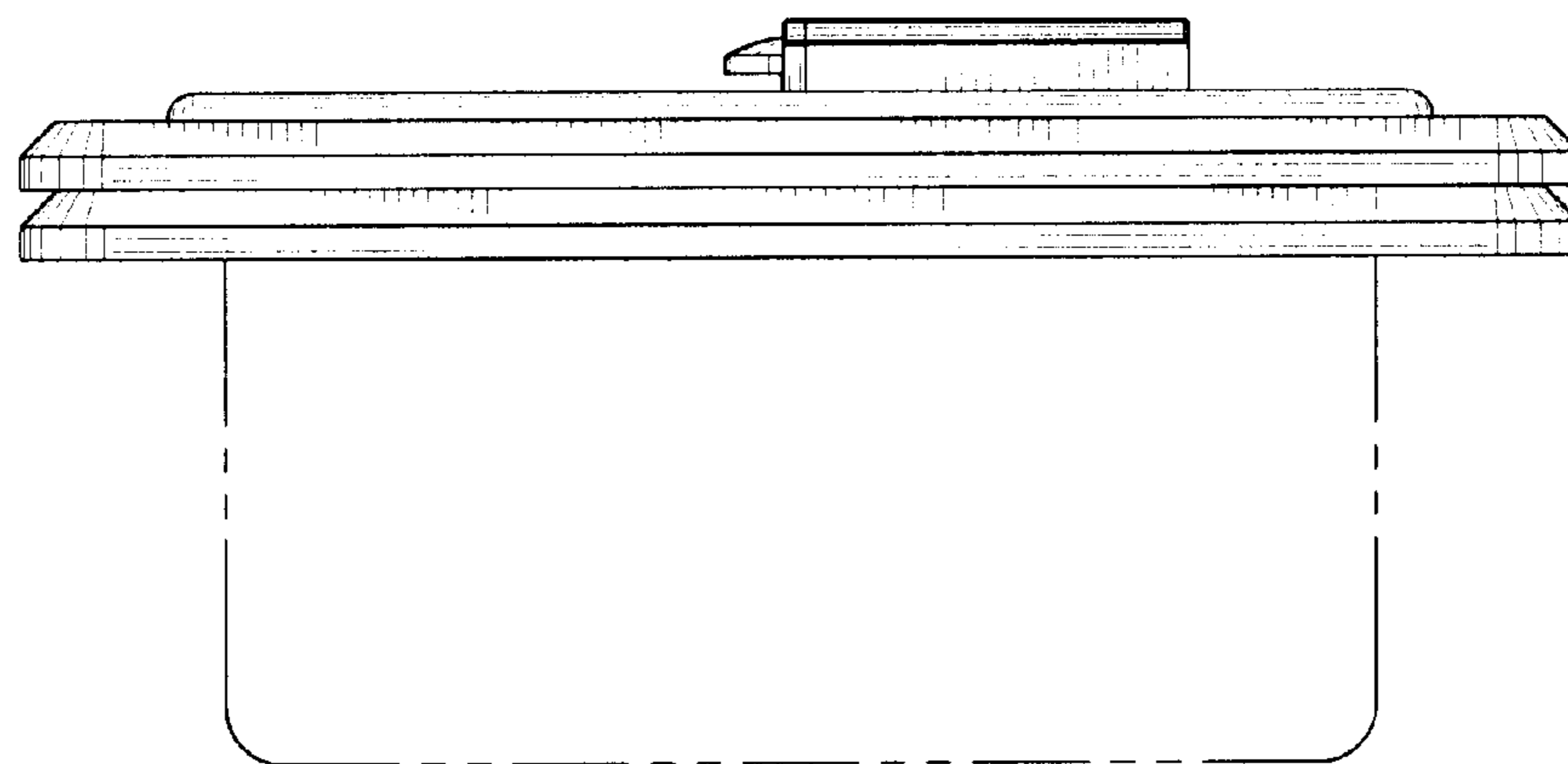


FIG. 6

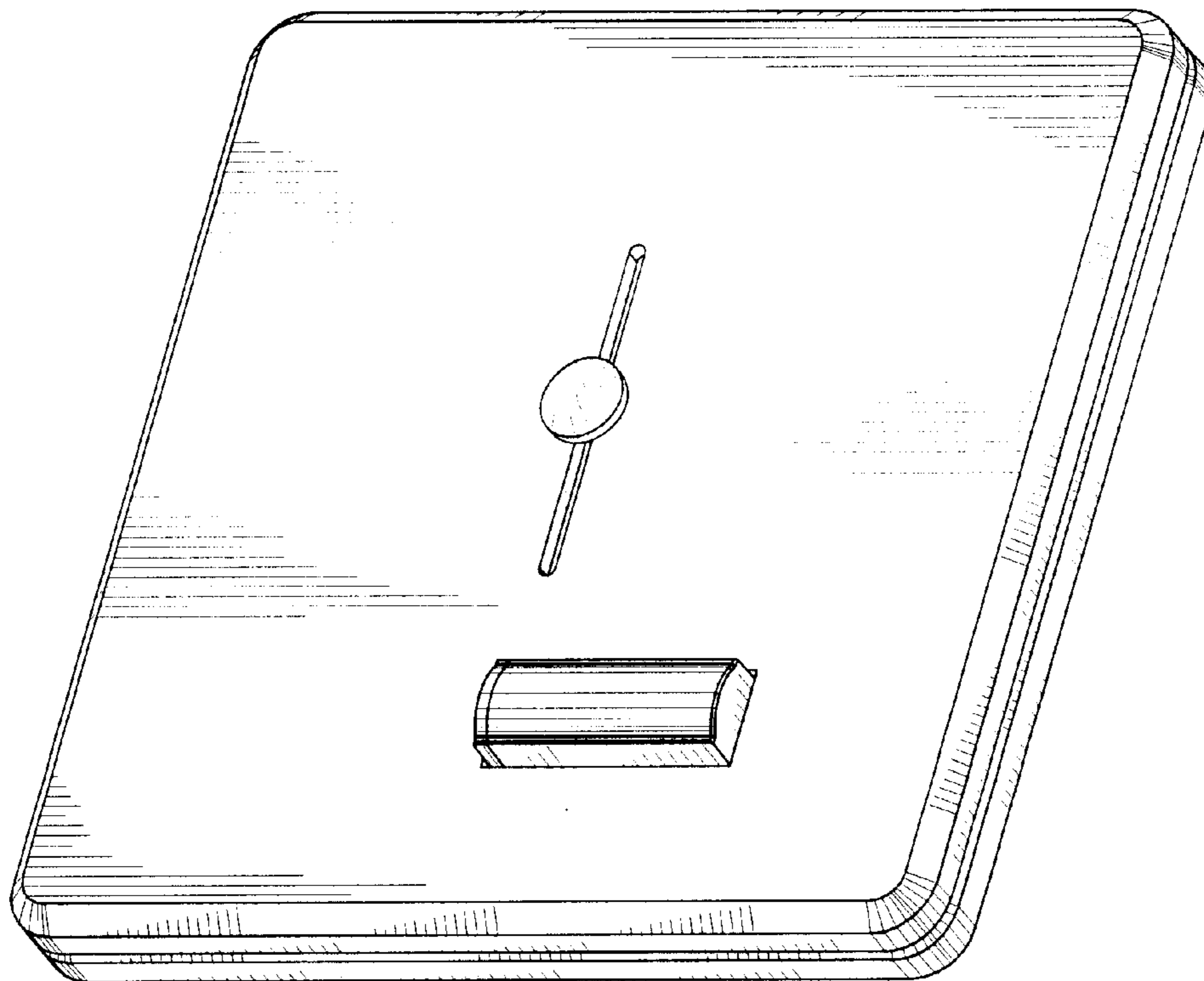


FIG. 7

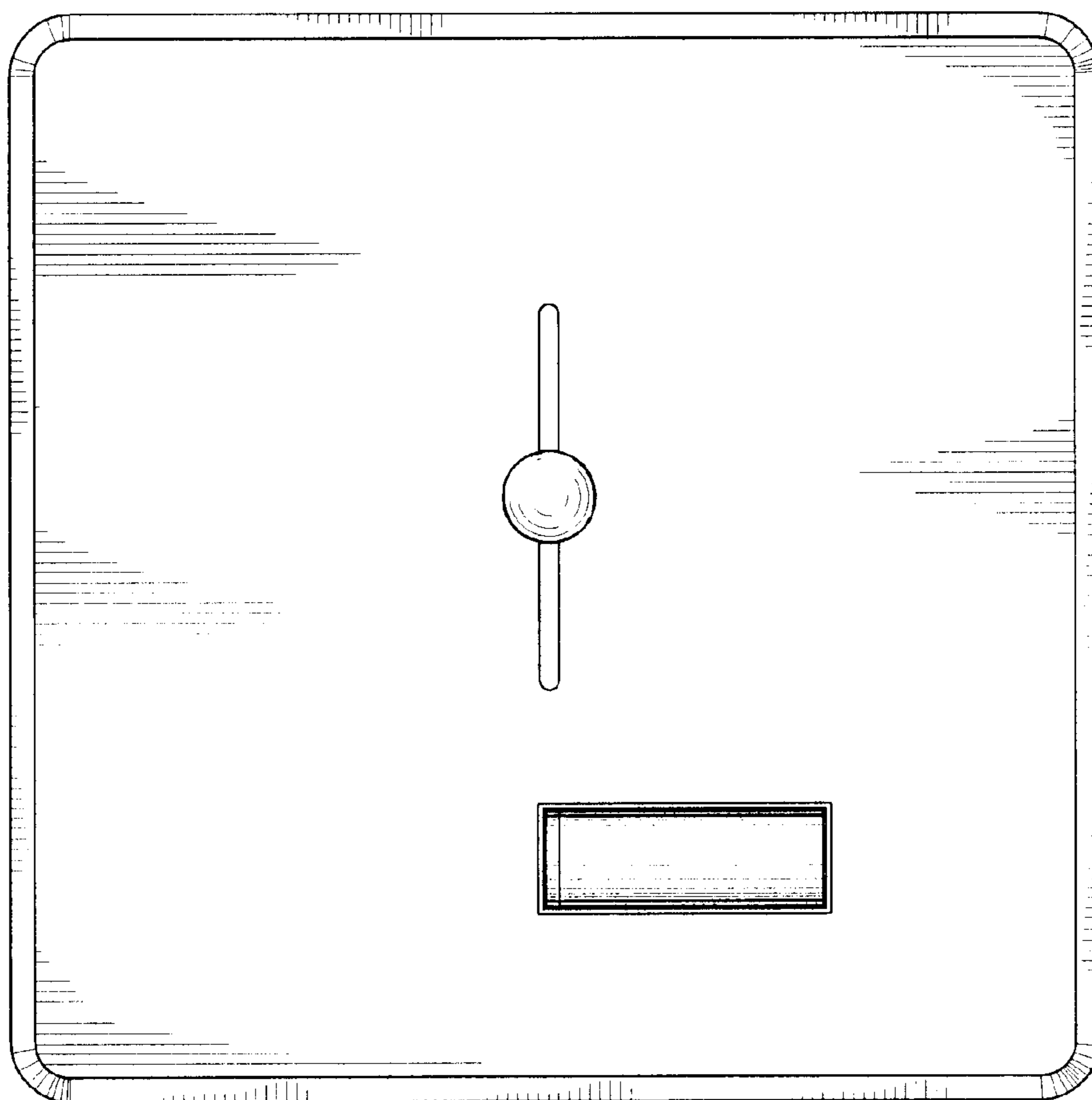


FIG. 8



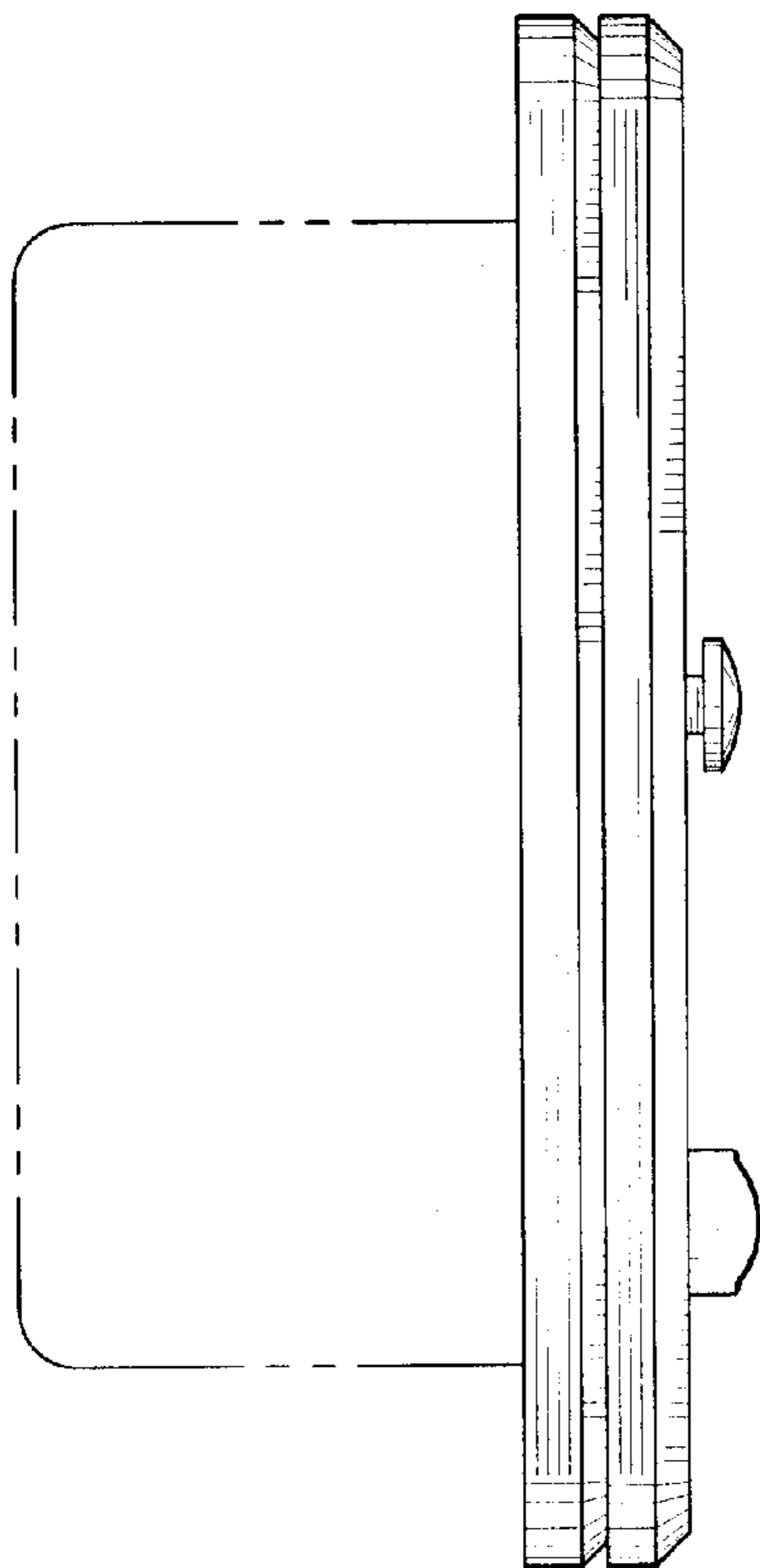


FIG. 10

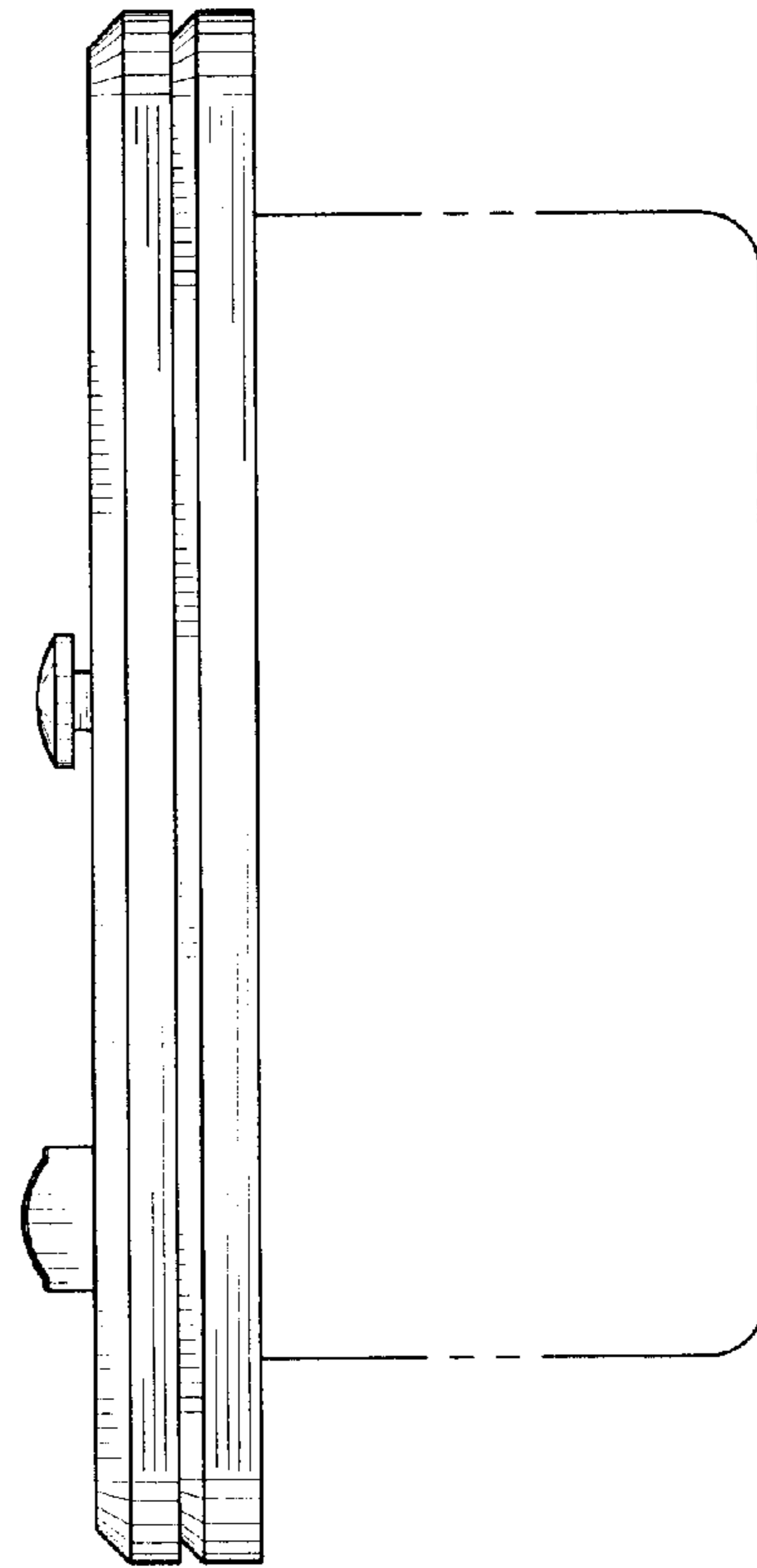


FIG. 9

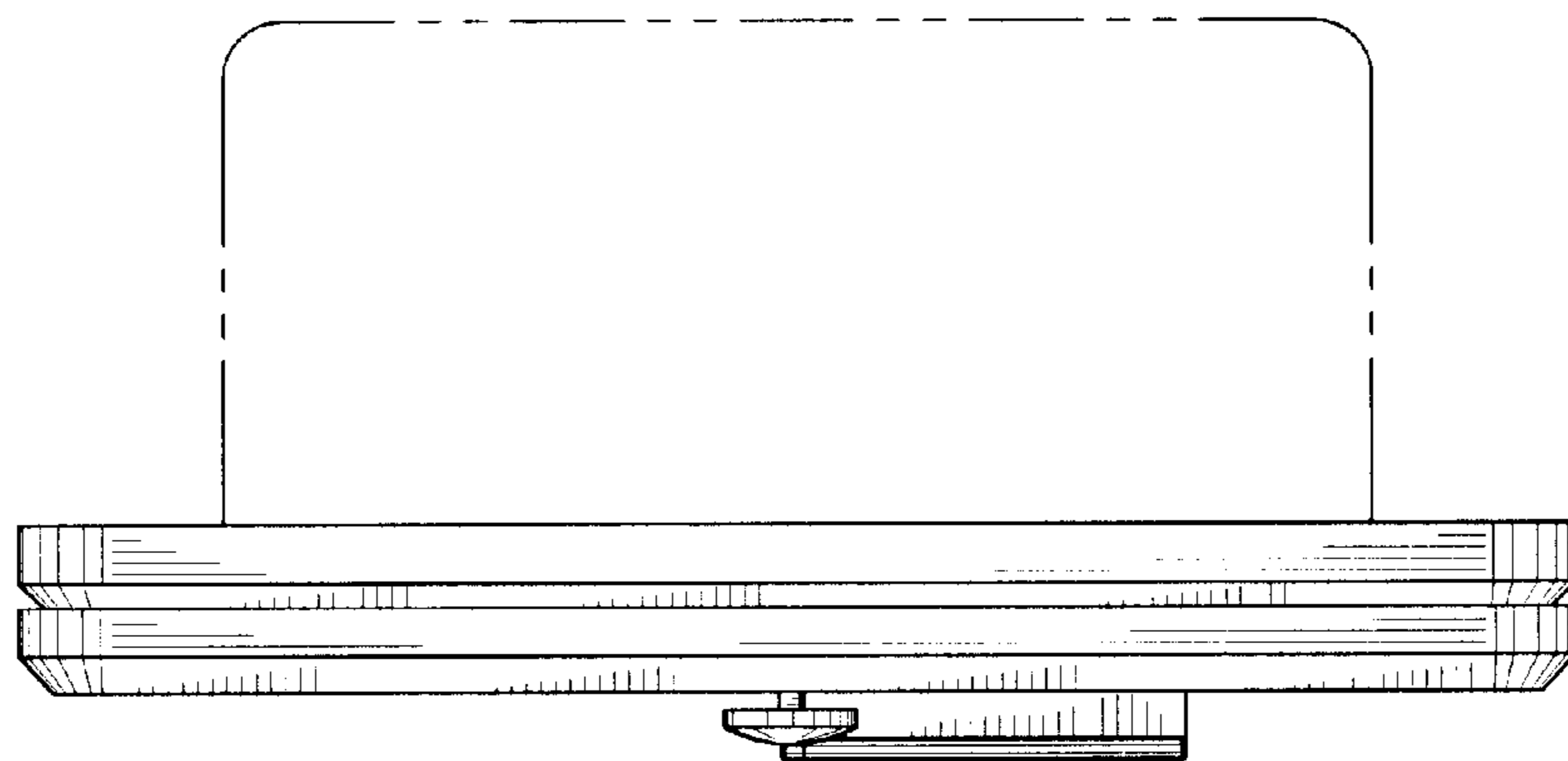


FIG. 11

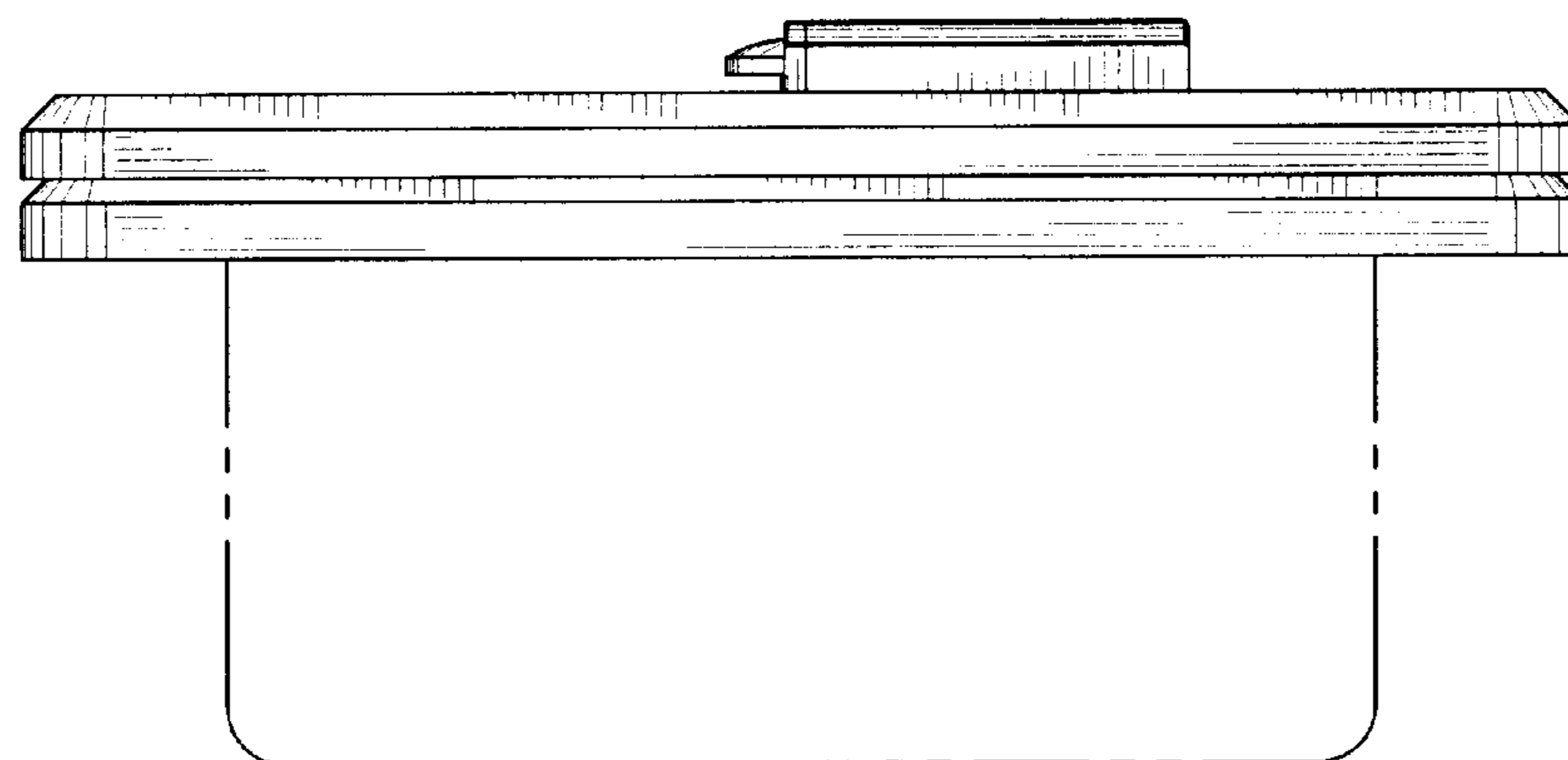


FIG. 12

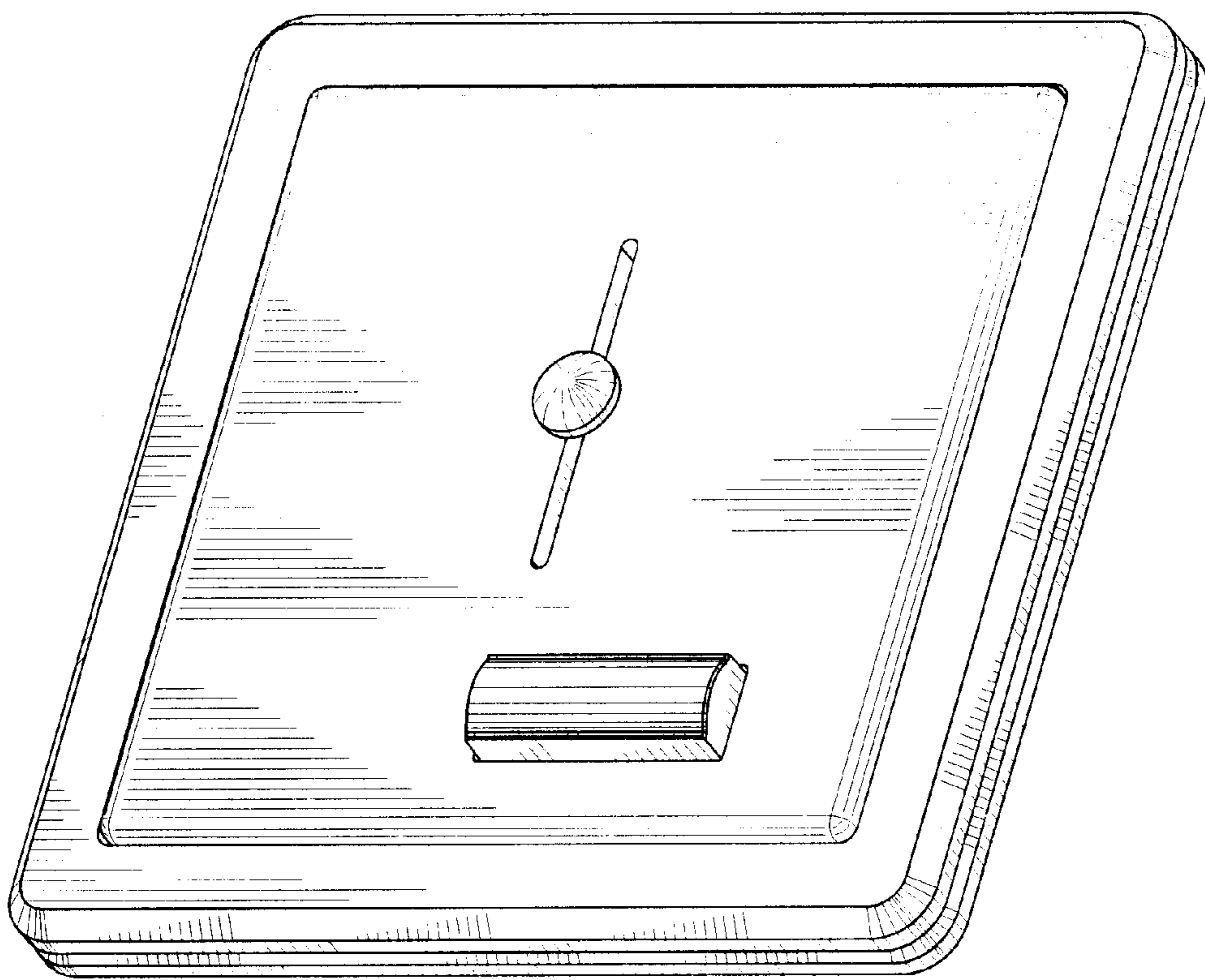


FIG. 13

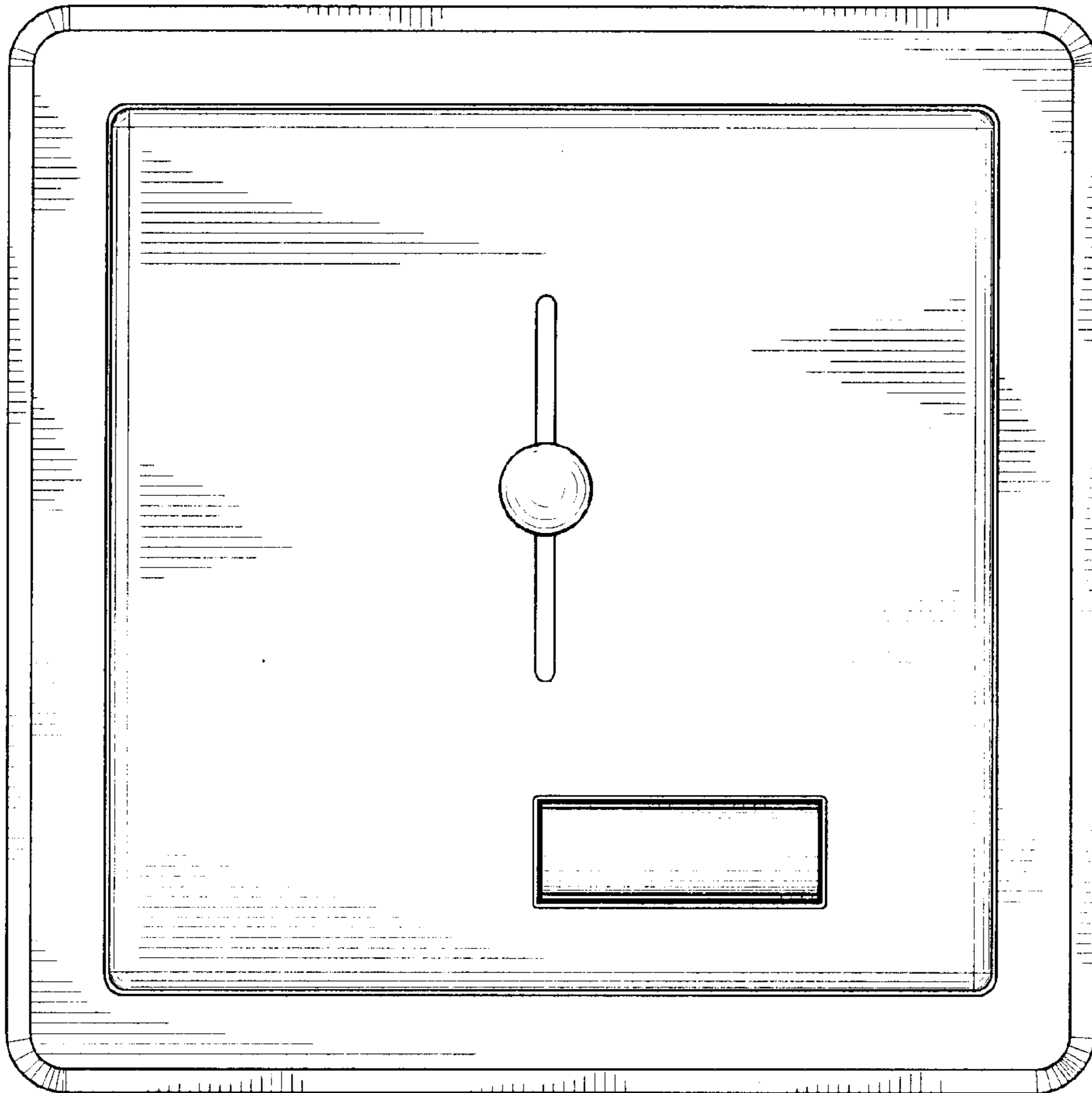


FIG. 14

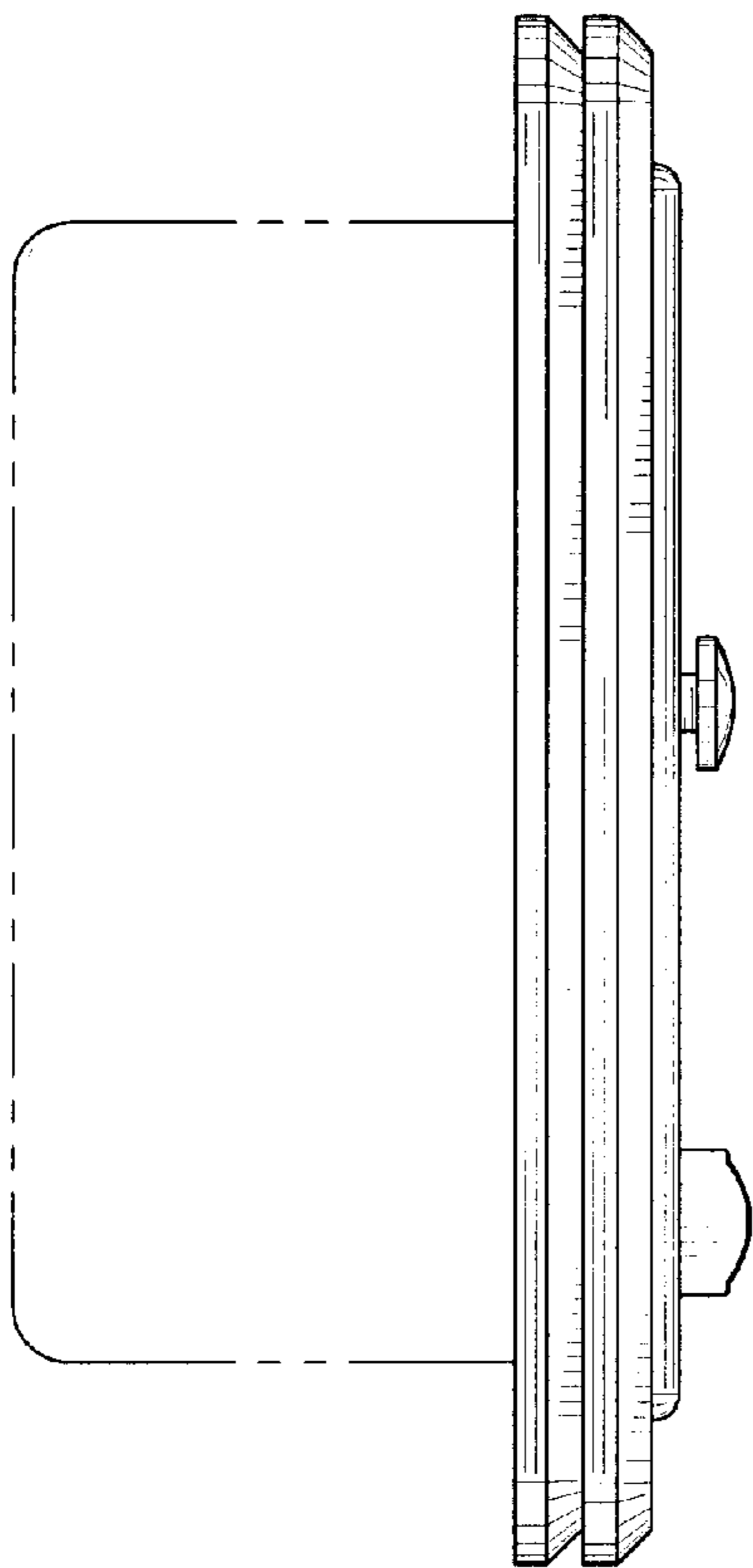


FIG. 16

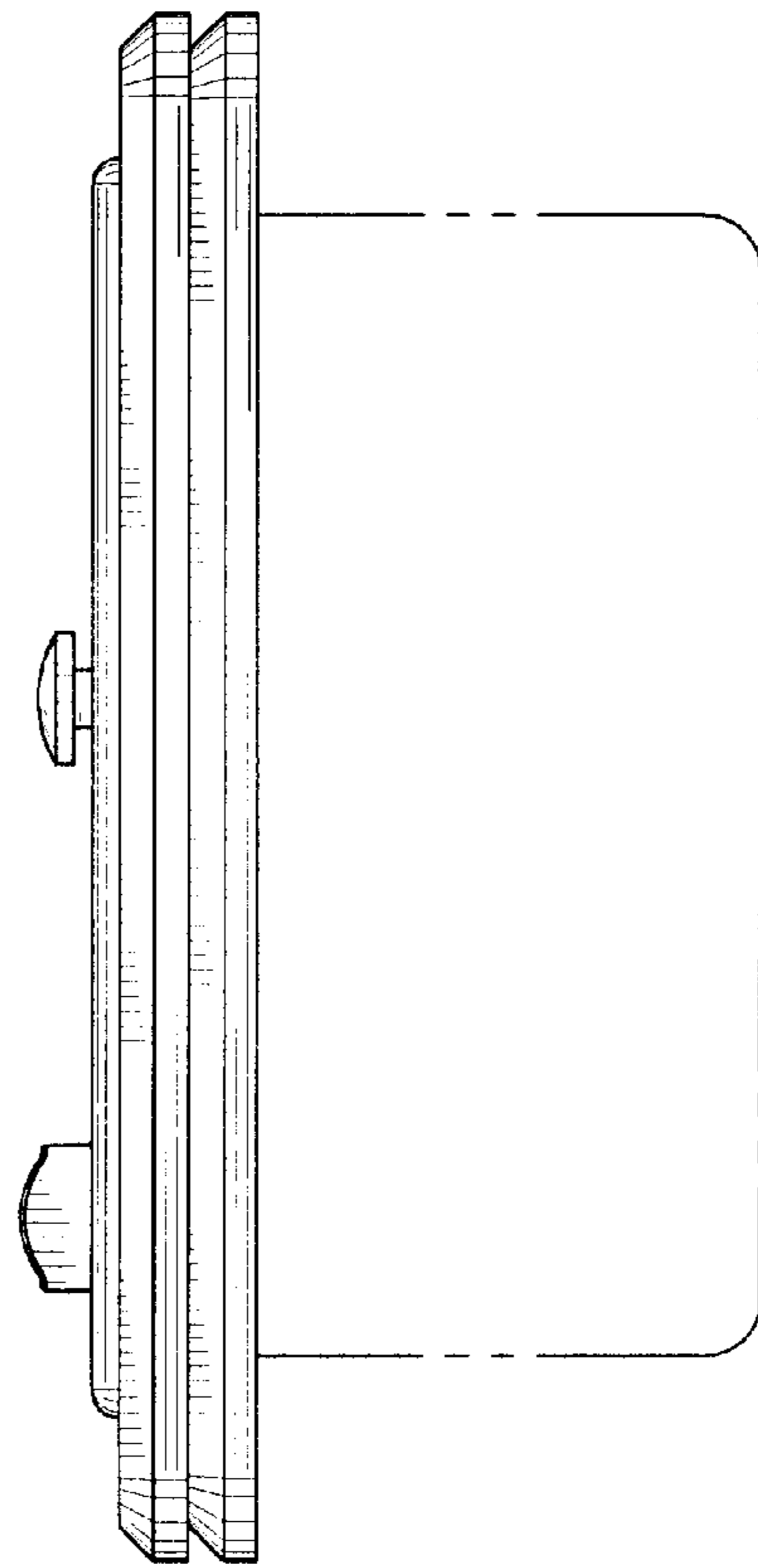


FIG. 15

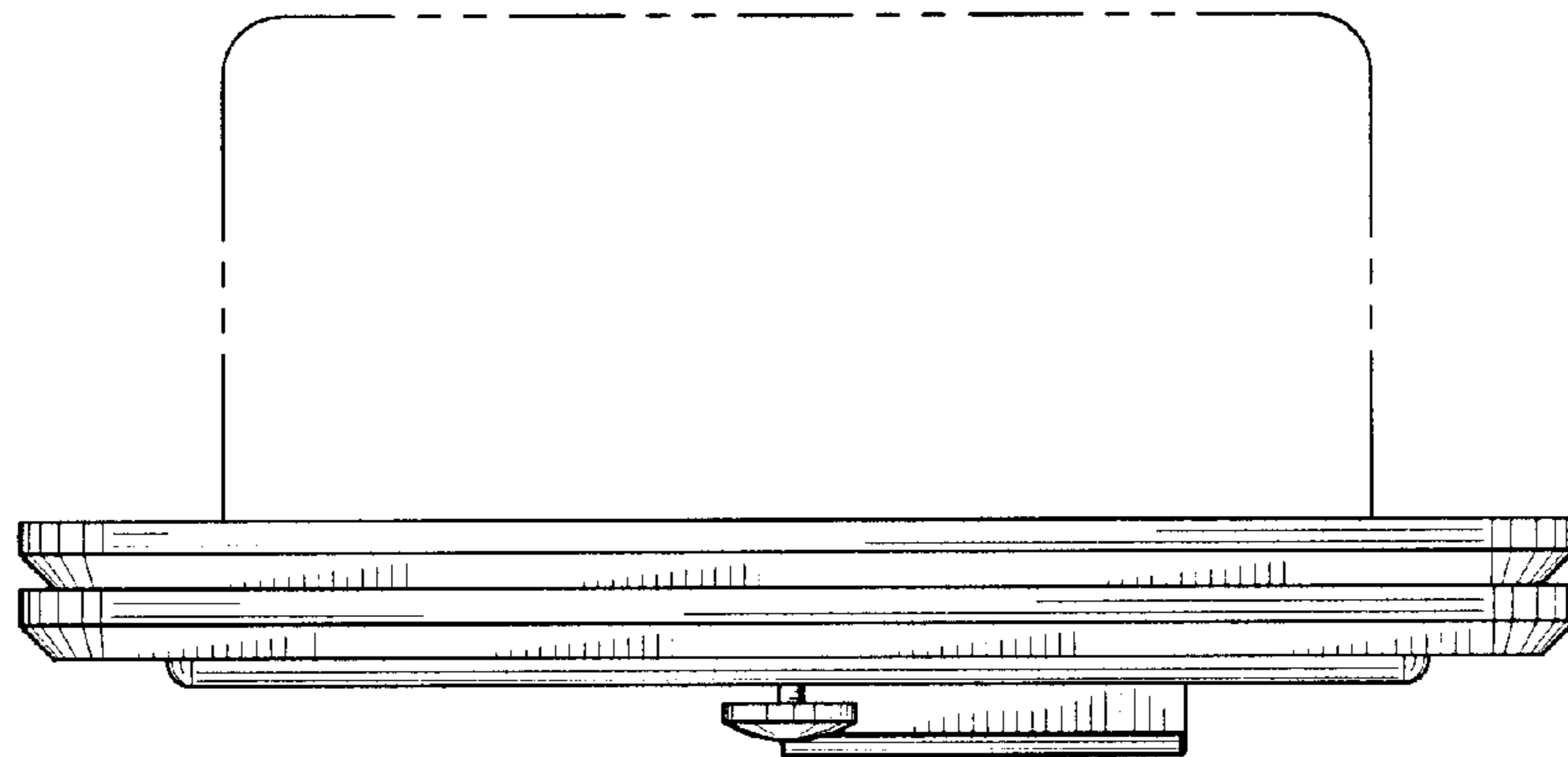


FIG. 17

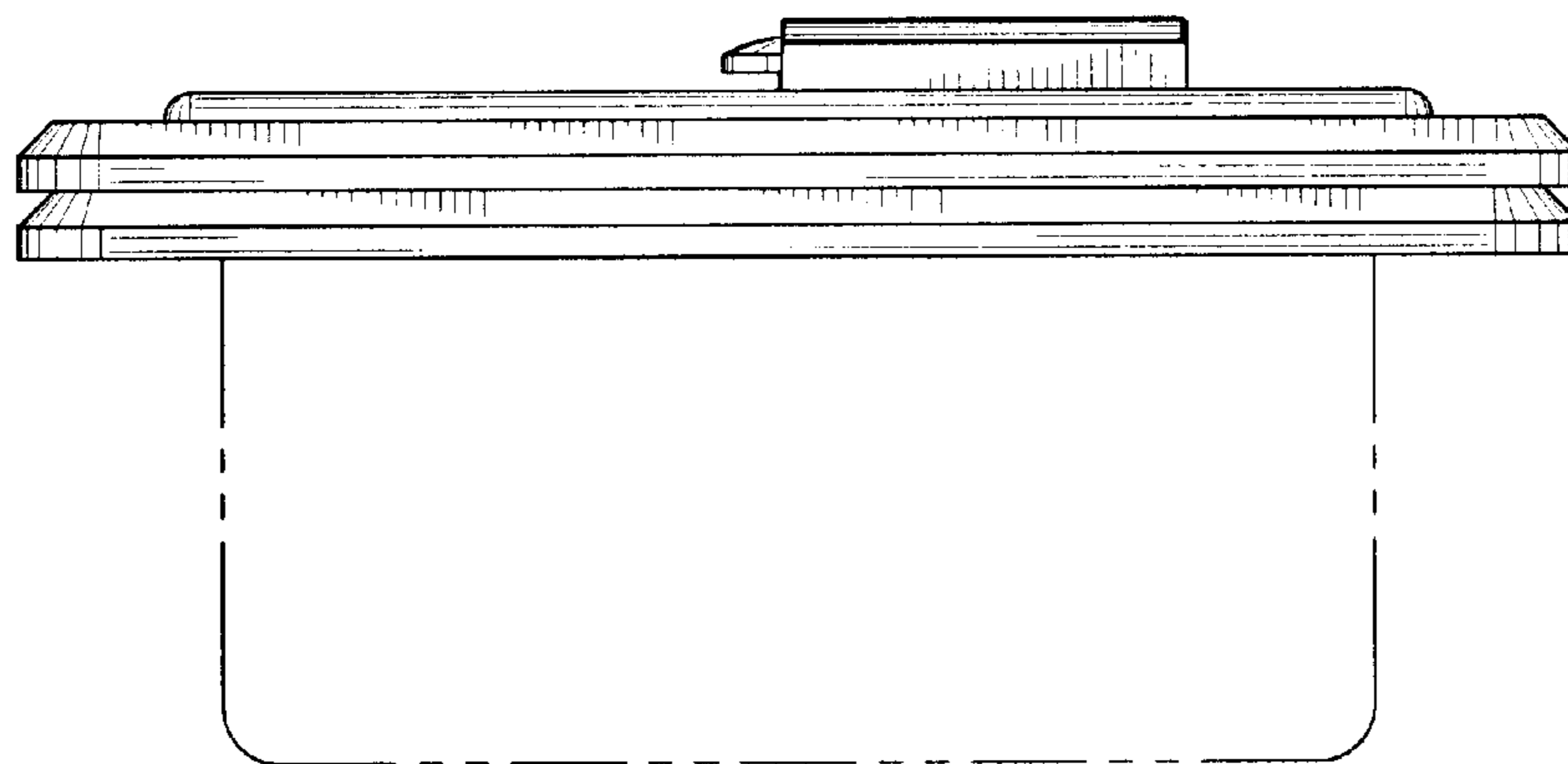


FIG. 18

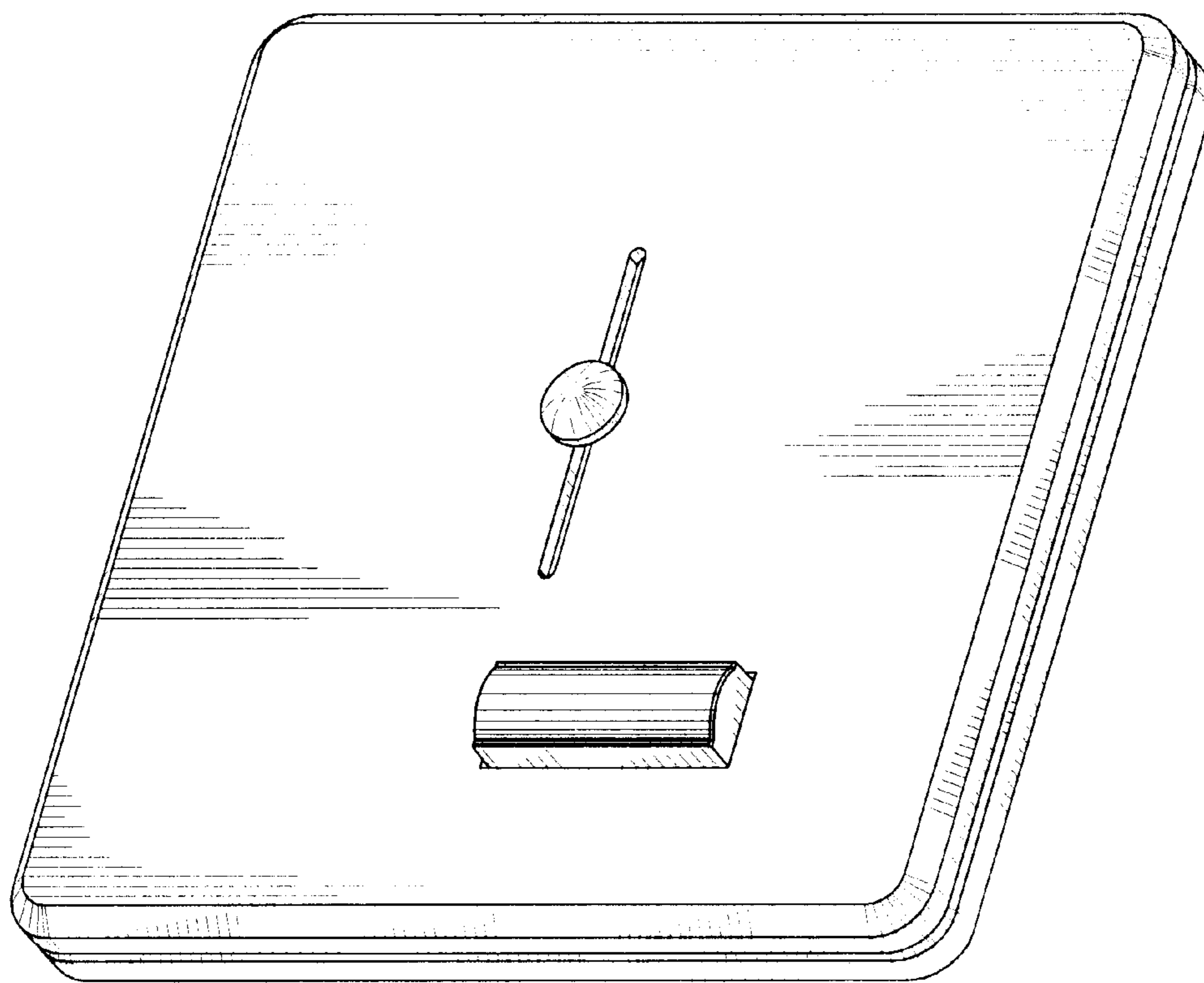


FIG. 19

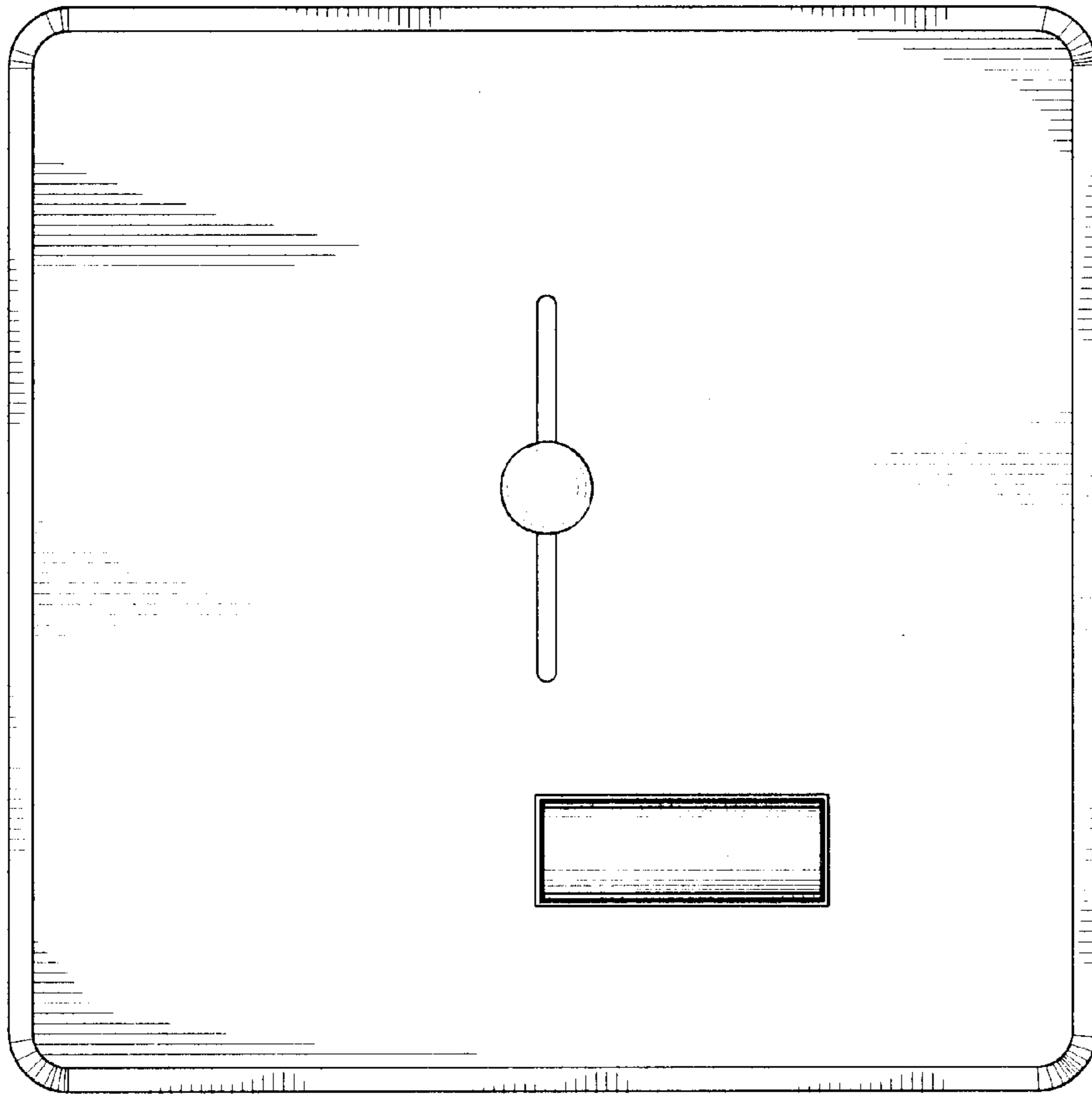


FIG. 20



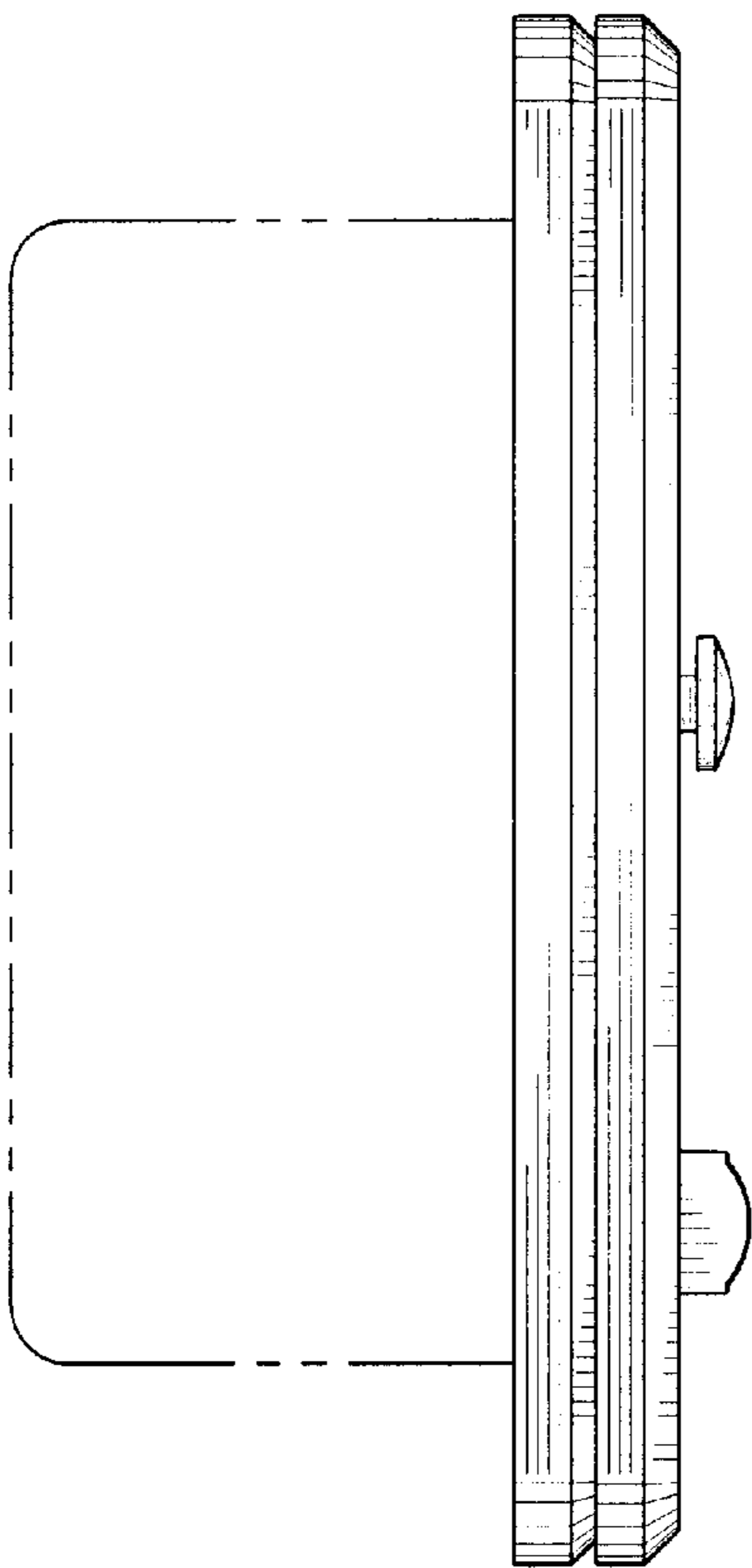


FIG. 22

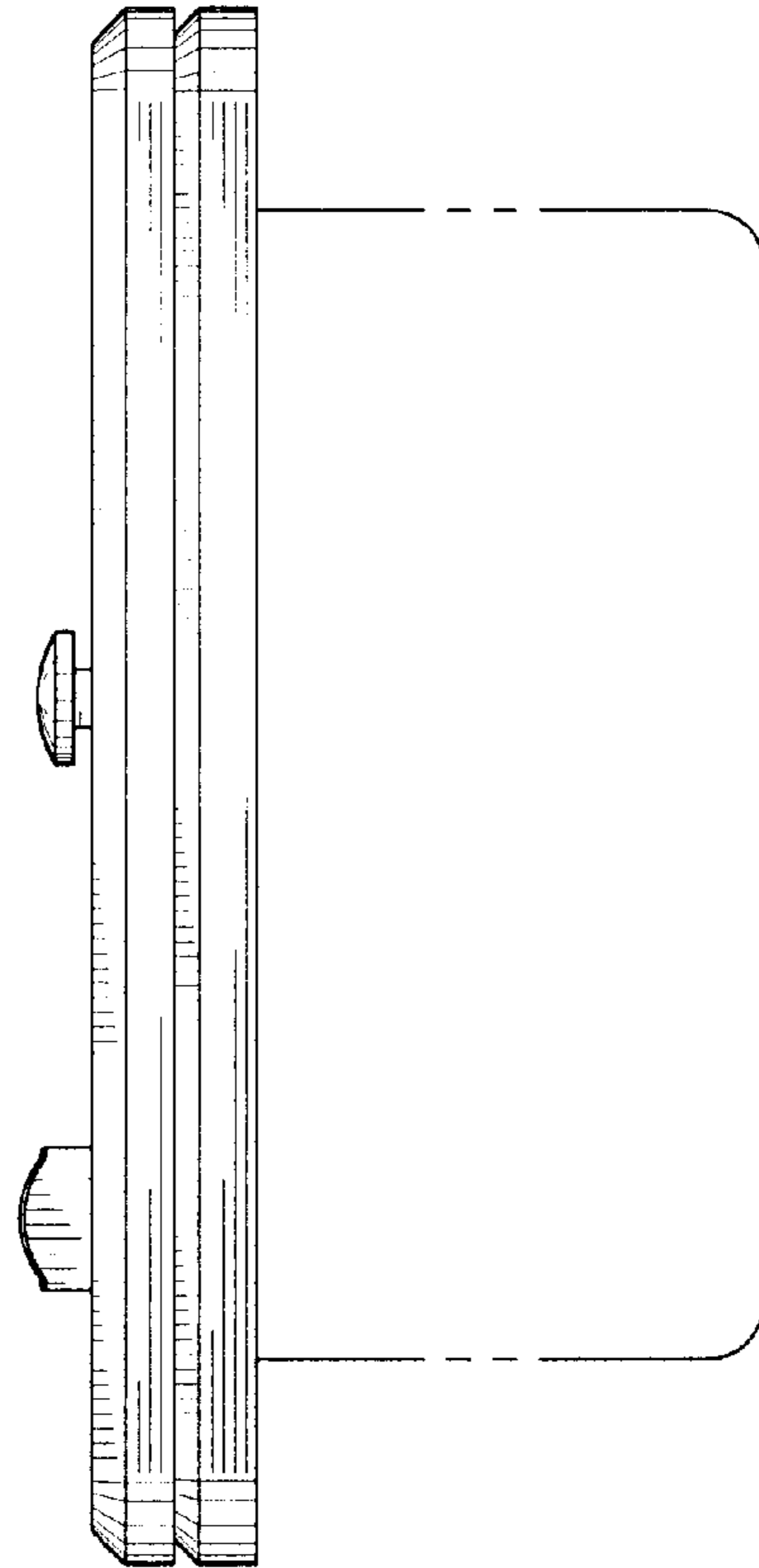


FIG. 21

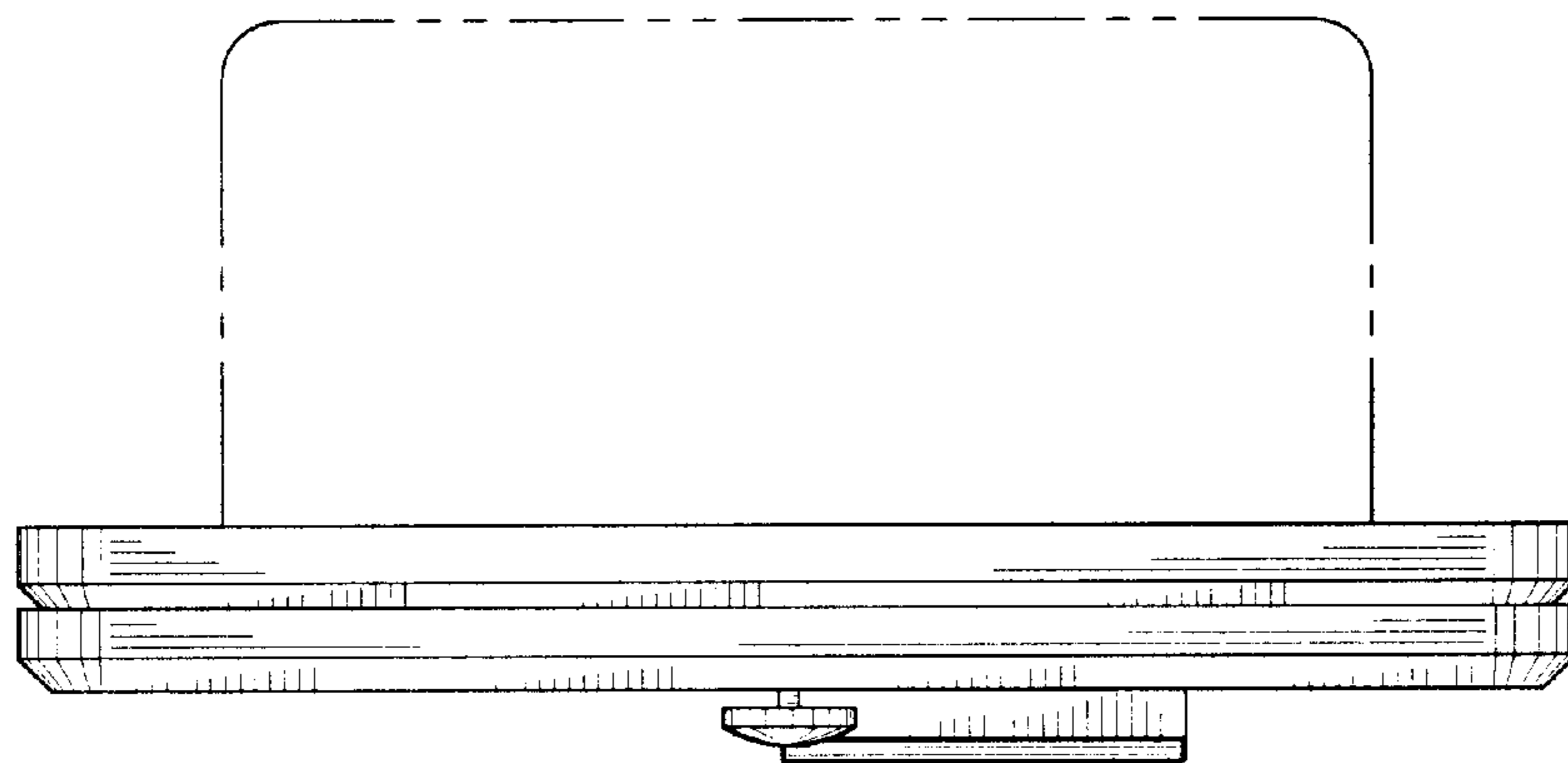


FIG. 23

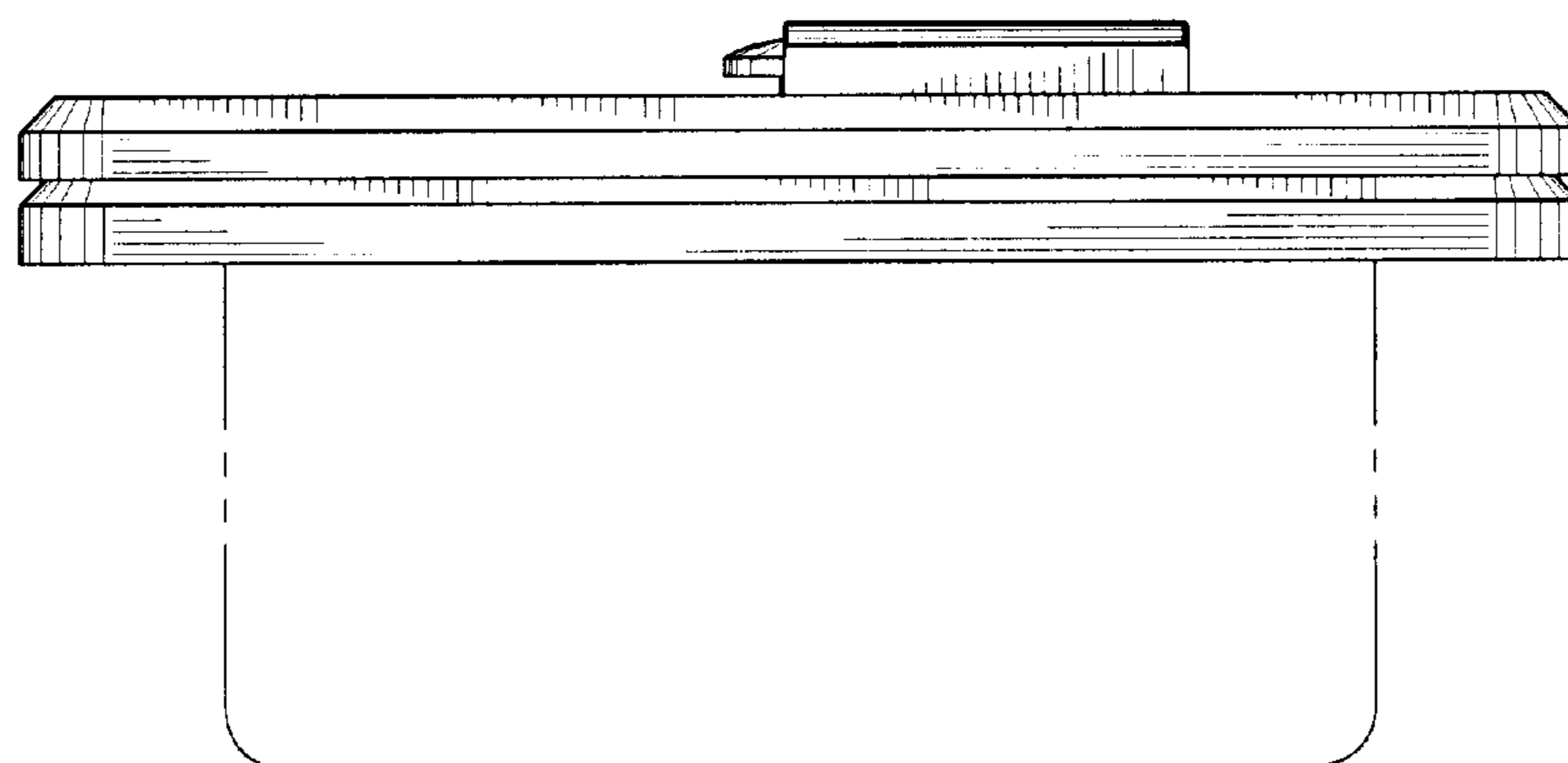


FIG. 24