

US00D540263S

(12) **United States Design Patent**
Kishi et al.

(10) **Patent No.:** **US D540,263 S**
(45) **Date of Patent:** **** Apr. 10, 2007**

(54) **CONNECTOR**

(75) Inventors: **Masanori Kishi**, Tsu (JP); **Kenji Okura**, Tsu (JP)

(73) Assignee: **Matsushita Electric Works, Ltd.** (JP)

(**) Term: **14 Years**

(21) Appl. No.: **29/261,137**

(22) Filed: **Jun. 8, 2006**

(30) **Foreign Application Priority Data**

Dec. 14, 2005 (JP) 2005-036816

(51) **LOC (8) Cl.** **13-03**

(52) **U.S. Cl.** **D13/147**

(58) **Field of Classification Search** D13/133,
D13/146-147, 149, 154, 184; D14/432-436,
D14/438; 439/64, 79, 159-160, 260, 325,
439/329, 395, 492, 495, 607-610, 630

See application file for complete search history.

(56) **References Cited**

U.S. PATENT DOCUMENTS

5,888,077 A * 3/1999 Champion et al. 439/108
D413,577 S * 9/1999 Ono et al. D13/147
D453,734 S * 2/2002 Shimoyama et al. D13/147
D455,125 S * 4/2002 Shimoyama et al. D13/147
6,793,506 B1 * 9/2004 Hirata et al. 439/74
D501,448 S * 2/2005 Ishikawa D13/147
D502,921 S * 3/2005 Zhang et al. D13/147
7,037,117 B2 * 5/2006 Goto 439/74
2006/0035489 A1 * 2/2006 Goto 439/74

FOREIGN PATENT DOCUMENTS

JP 1085941 9/2000
JP 1175606 6/2003

* cited by examiner

Primary Examiner—Daniel Bui

(74) *Attorney, Agent, or Firm*—Osha Liang LLP

(57) **CLAIM**

The ornamental design for a connector, as shown and described.

DESCRIPTION

FIG. 1 is a top perspective view of a connector, showing our new design.

FIG. 2 is a front elevation view thereof.

FIG. 3 is a rear elevation view thereof.

FIG. 4 is a left side elevation view thereof.

FIG. 5 is a right side elevation view thereof.

FIG. 6 is a top plan view thereof.

FIG. 7 is a bottom plan view thereof.

FIG. 8 is a cross-sectional view taken along line 8—8 as shown in FIG. 2.

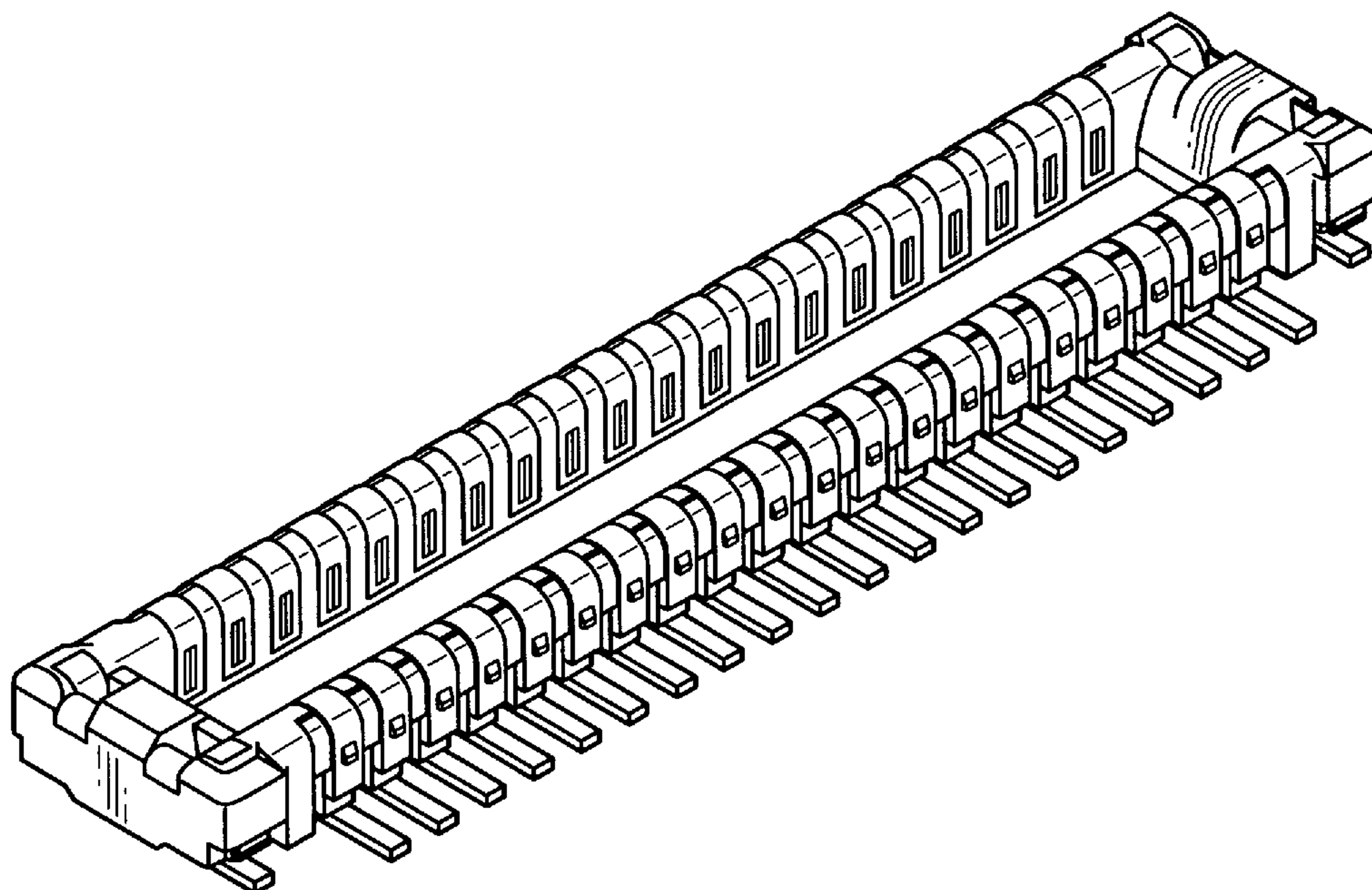
FIG. 9 is a cross-sectional view taken along line 9—9 as shown in FIG. 6.

FIG. 10 is a cross-sectional view taken along line 10—10 as shown in FIG. 6.

FIG. 11 is a cross-sectional view taken along line 11—11 as shown in FIG. 6; and,

FIG. 12 is a cross-sectional view taken along line 12—12 as shown in FIG. 6.

1 Claim, 5 Drawing Sheets



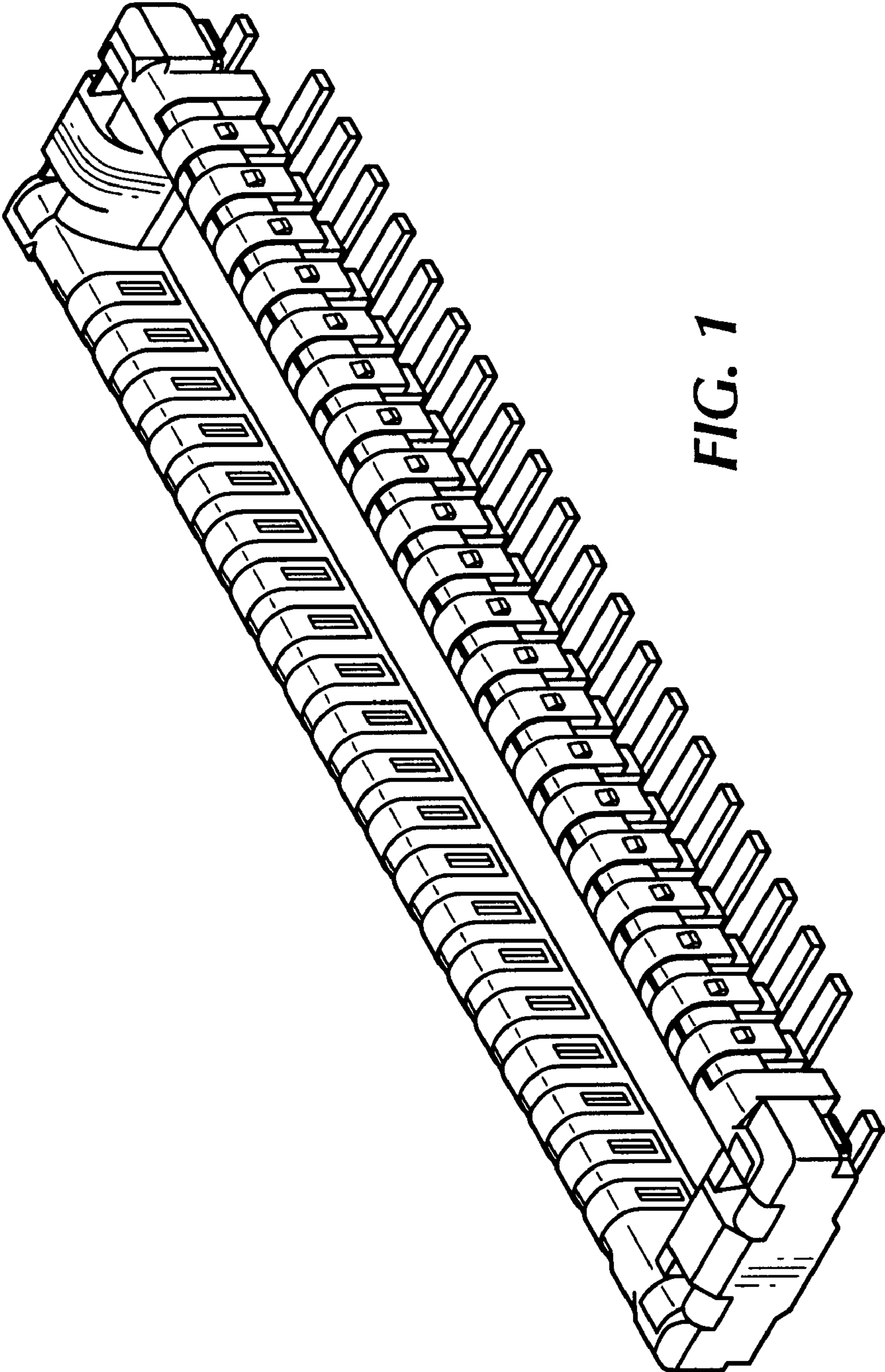


FIG. 1

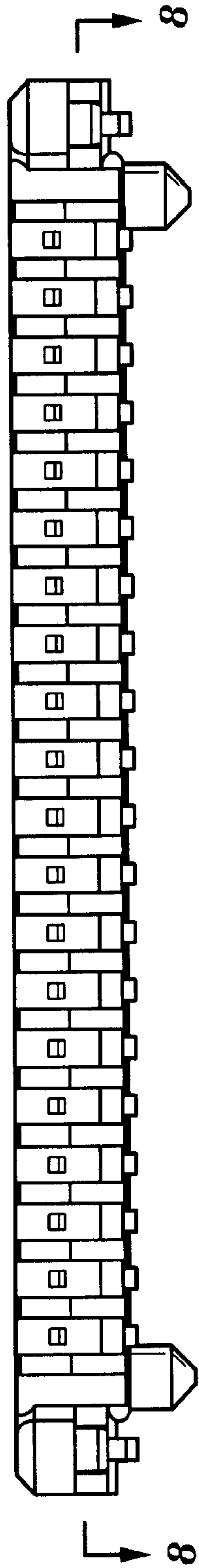


FIG. 2

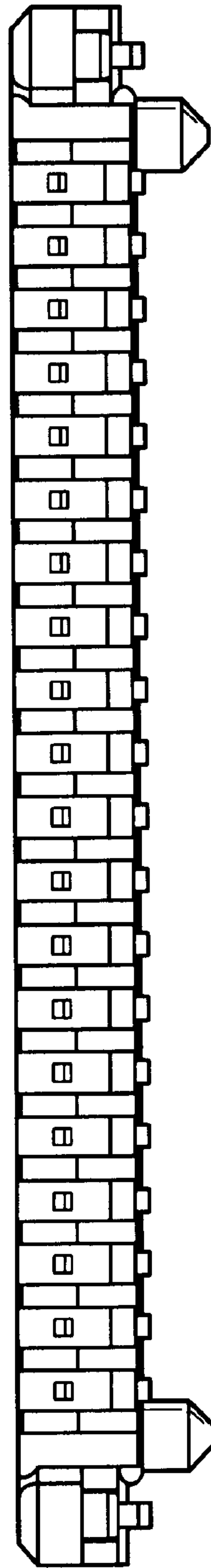


FIG. 3

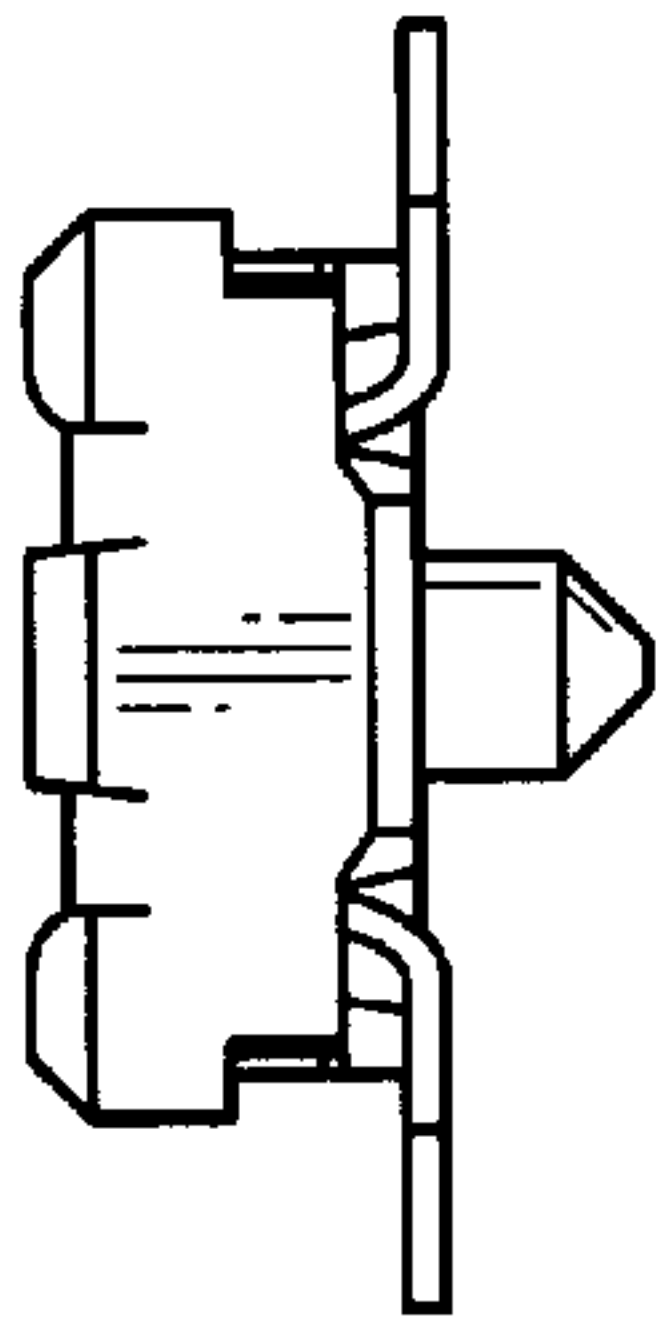


FIG. 5

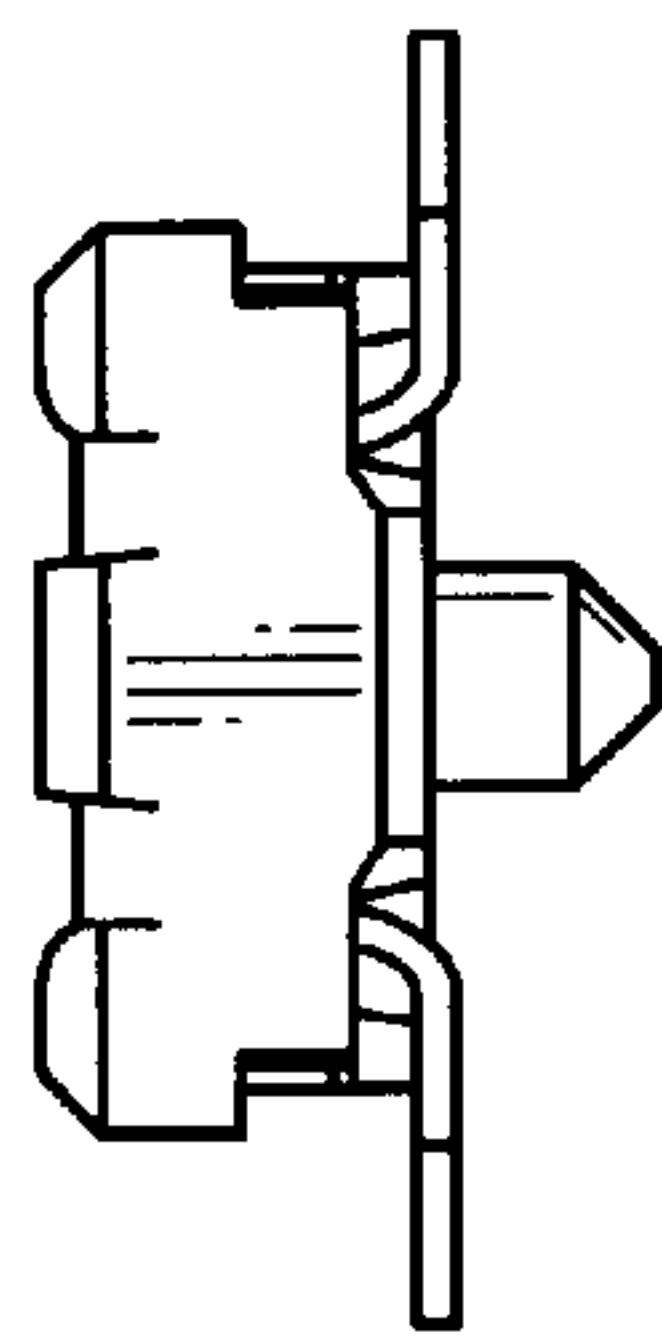


FIG. 4

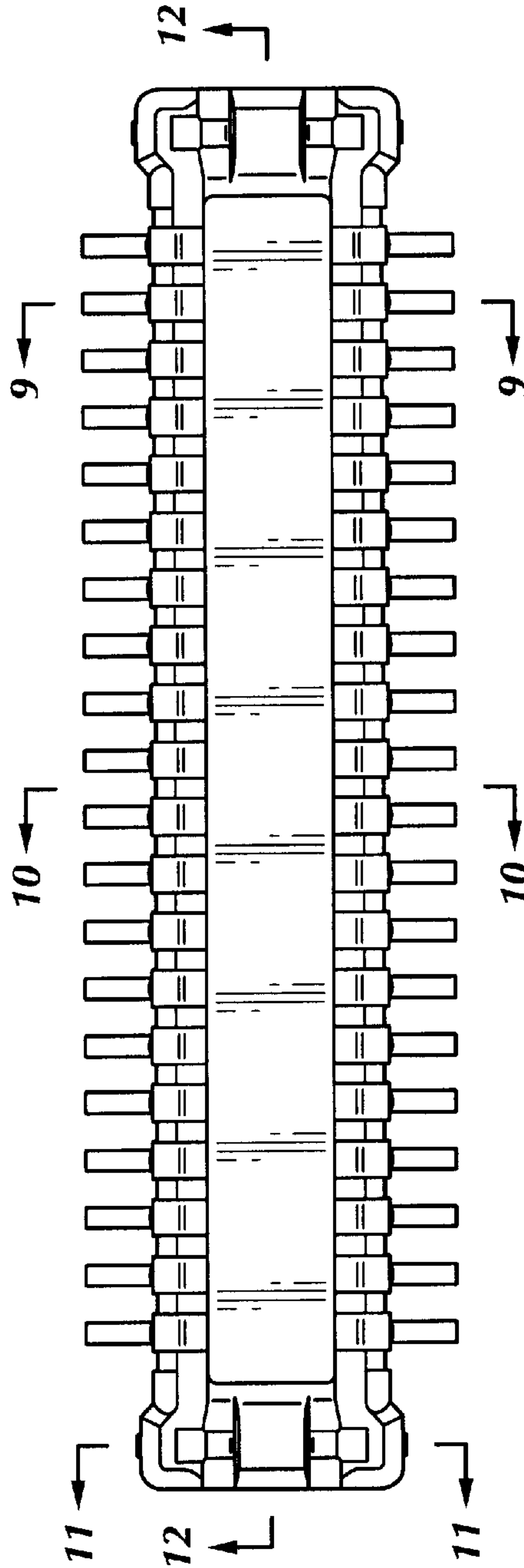


FIG. 6

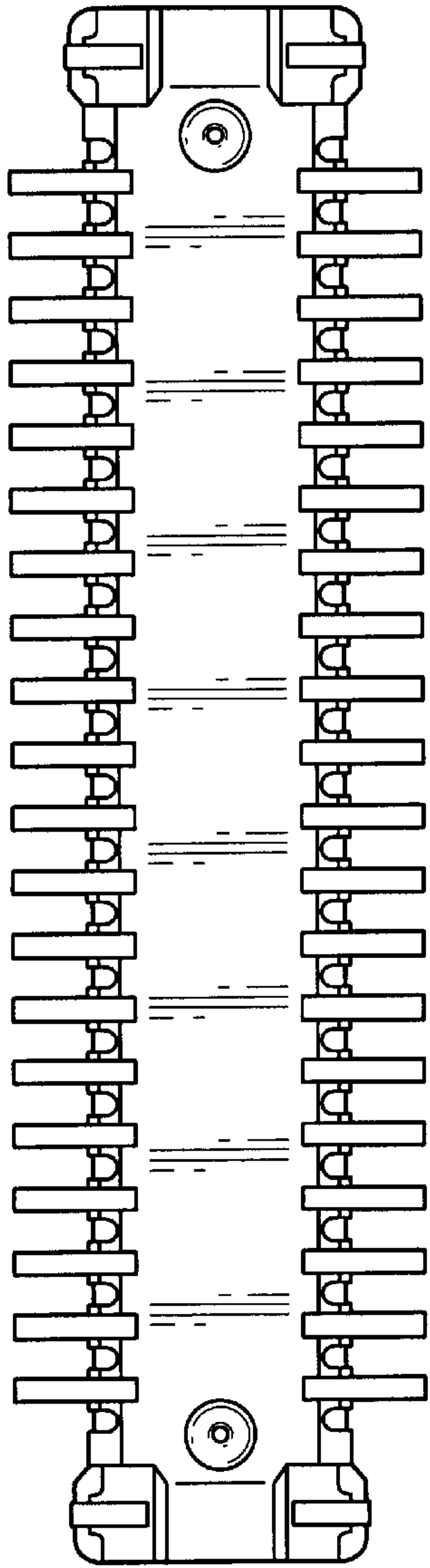


FIG. 7

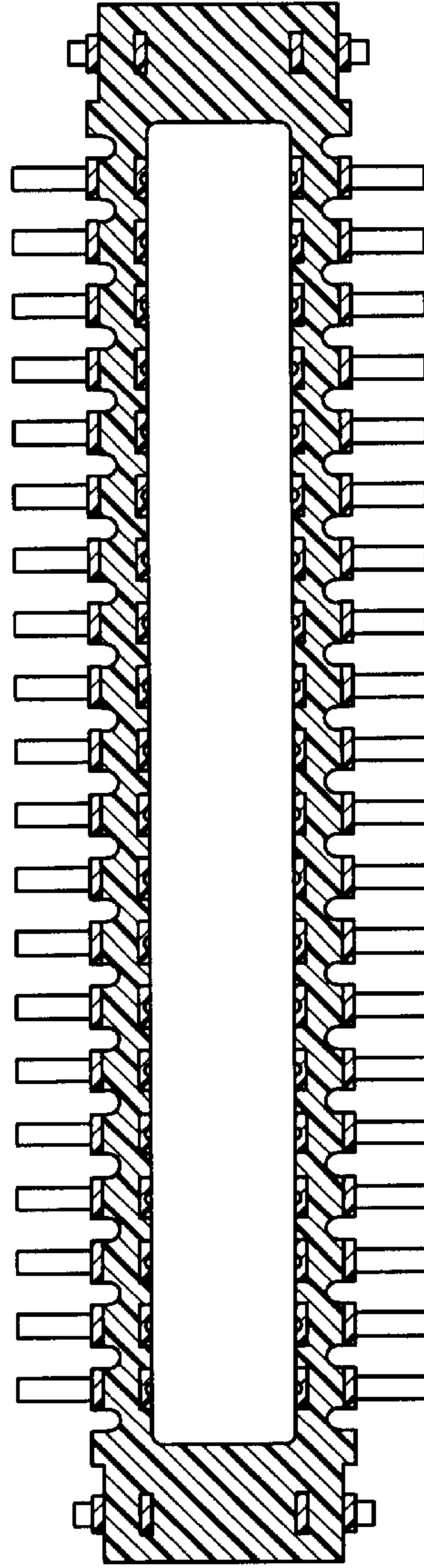


FIG. 8

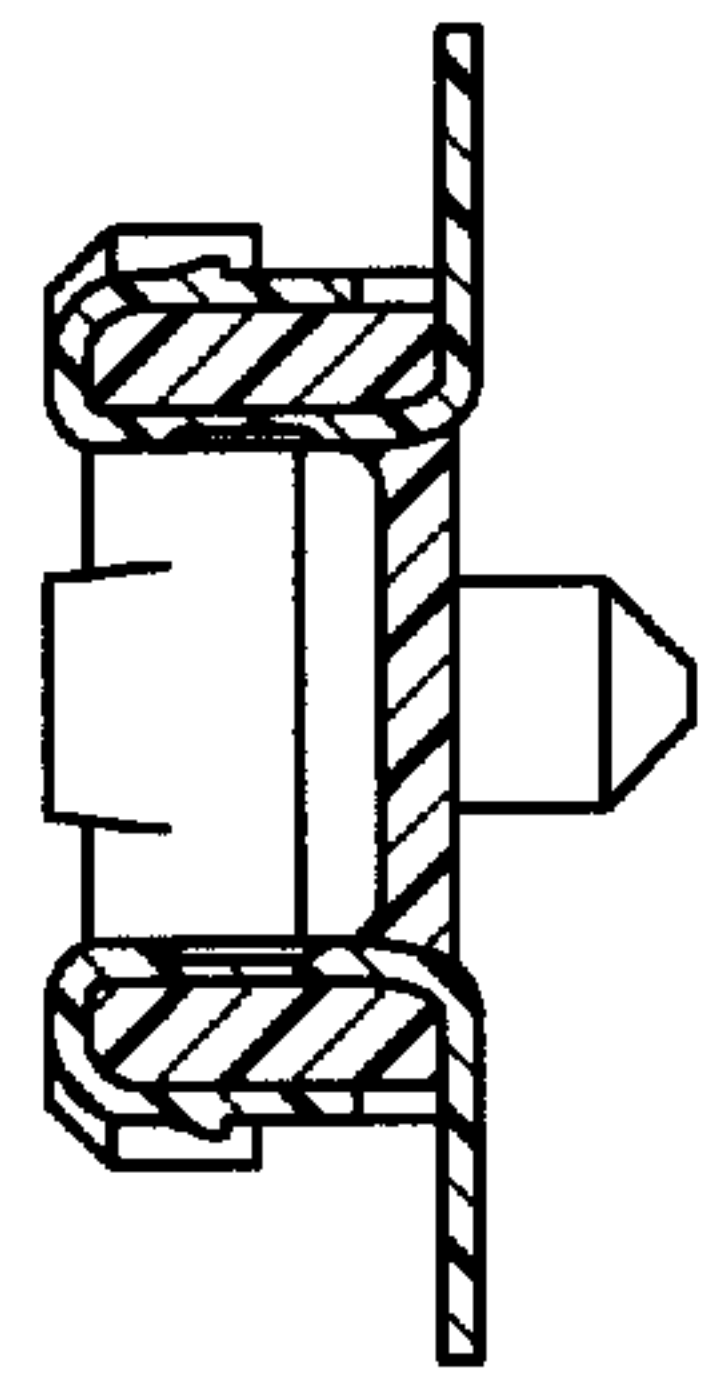


FIG. 9

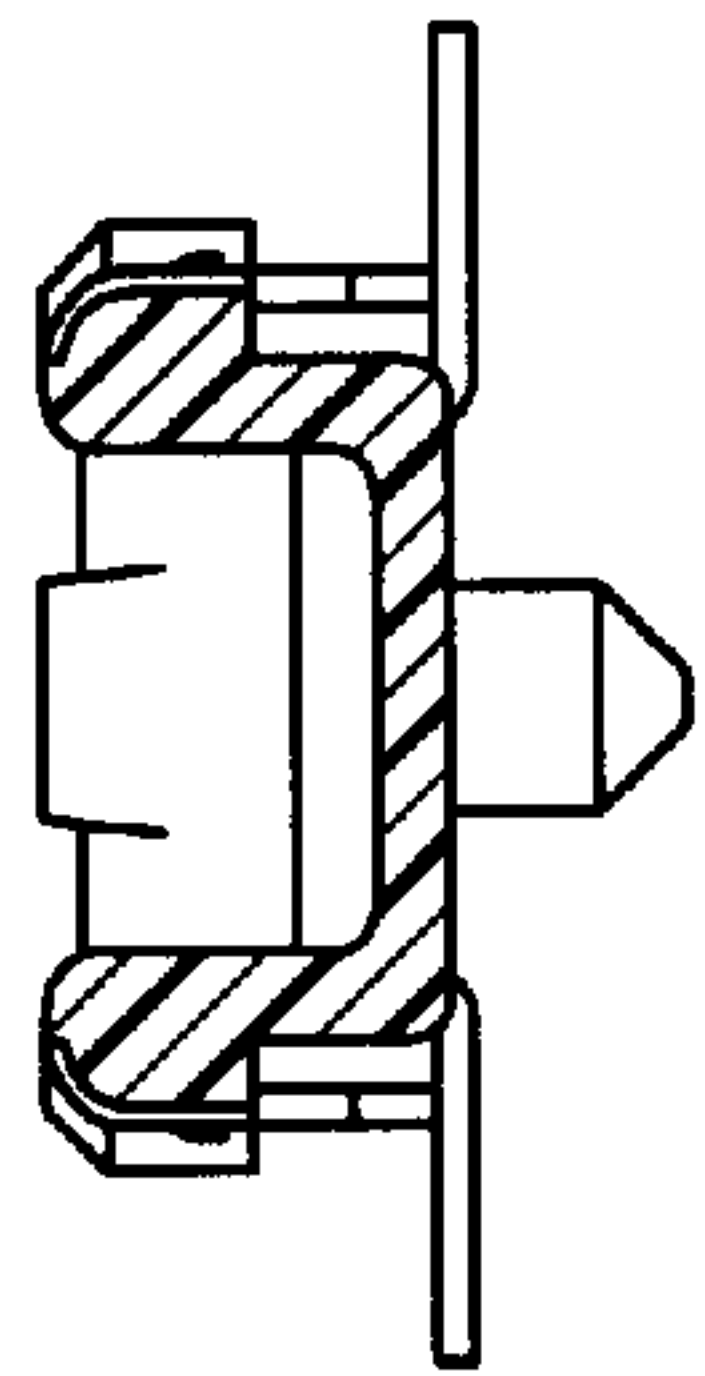


FIG. 10

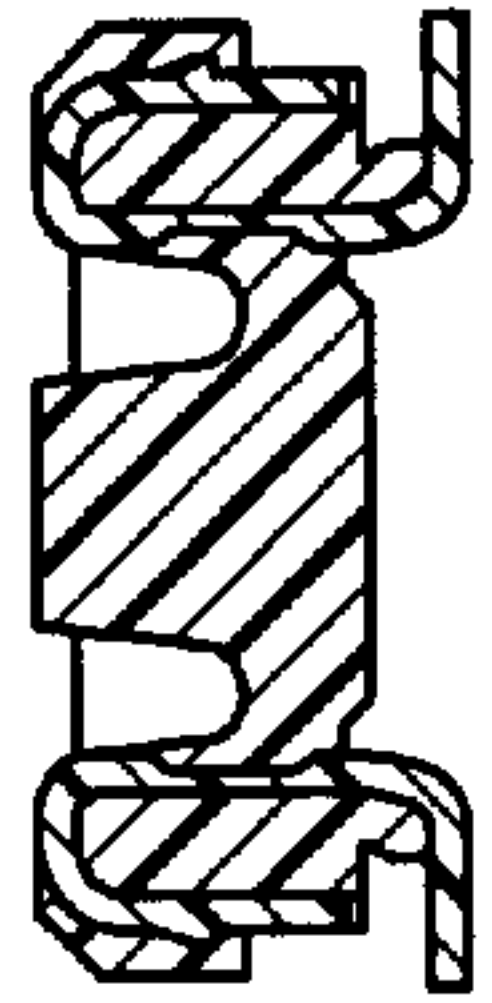


FIG. 11

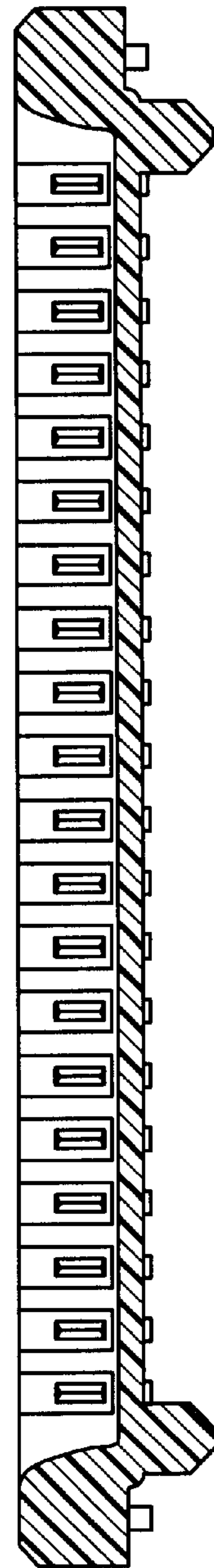


FIG. 12