



US00D540262S

(12) **United States Design Patent**
Yoneyama et al.

(10) **Patent No.:** **US D540,262 S**

(45) **Date of Patent:** **** Apr. 10, 2007**

(54) **ELECTRICAL CONNECTOR**

(75) Inventors: **Kazuo Yoneyama**, Kyoto (JP); **Tomoki Yamamoto**, Kyoto (JP); **Tomoyuki Sakiyama**, Kyoto (JP); **Nobuaki Kawahara**, Osaka (JP)

(73) Assignees: **Nintendo Co., Ltd.**, Kyoto (JP); **Hosiden Corporation**, Osaka (JP)

(**) Term: **14 Years**

(21) Appl. No.: **29/246,705**

(22) Filed: **May 4, 2006**

(30) **Foreign Application Priority Data**

Nov. 4, 2005 (JP) 2005-032364

(51) **LOC (8) Cl.** **13-03**

(52) **U.S. Cl.** **D13/147**

(58) **Field of Classification Search** D13/133,
D13/146-147, 149, 154, 184; D14/432-436,
D14/438; 439/64, 79, 159-160, 260, 325,
439/329, 395, 492, 495, 607-610, 630
See application file for complete search history.

(56) **References Cited**

U.S. PATENT DOCUMENTS

D293,432 S * 12/1987 Masuda D13/147
D371,542 S * 7/1996 Takayasu D13/147
D455,403 S * 4/2002 Yoneyama et al. D13/147
D466,481 S * 12/2002 Wu D13/147

D507,533 S * 7/2005 Yoneyama et al. D13/147
D517,492 S * 3/2006 Nakamura et al. D13/147
D517,995 S * 3/2006 Nakamura et al. D13/147
D518,437 S * 4/2006 Yoneyama et al. D13/147

* cited by examiner

Primary Examiner—Daniel Bui

(74) *Attorney, Agent, or Firm*—Akin Gump Strauss Hauer & Feld, LLP

(57) **CLAIM**

The ornamental design for an electrical connector, as shown and described.

DESCRIPTION

FIG. 1 is a top, front and right side perspective view of an electrical connector, showing our new design;
FIG. 2 is a top, rear, and right side perspective view thereof;
FIG. 3 is a bottom, front and left side perspective view thereof;
FIG. 4 is a bottom, rear and right side perspective view thereof;
FIG. 5 is a front view thereof;
FIG. 6 is a rear view thereof;
FIG. 7 is a left side view thereof, the right side view is a mirror image thereto;
FIG. 8 is a top view thereof;
FIG. 9 is a bottom view thereof; and,
FIG. 10 is a sectional view taken along a line 10—10 in FIG. 5.

1 Claim, 5 Drawing Sheets

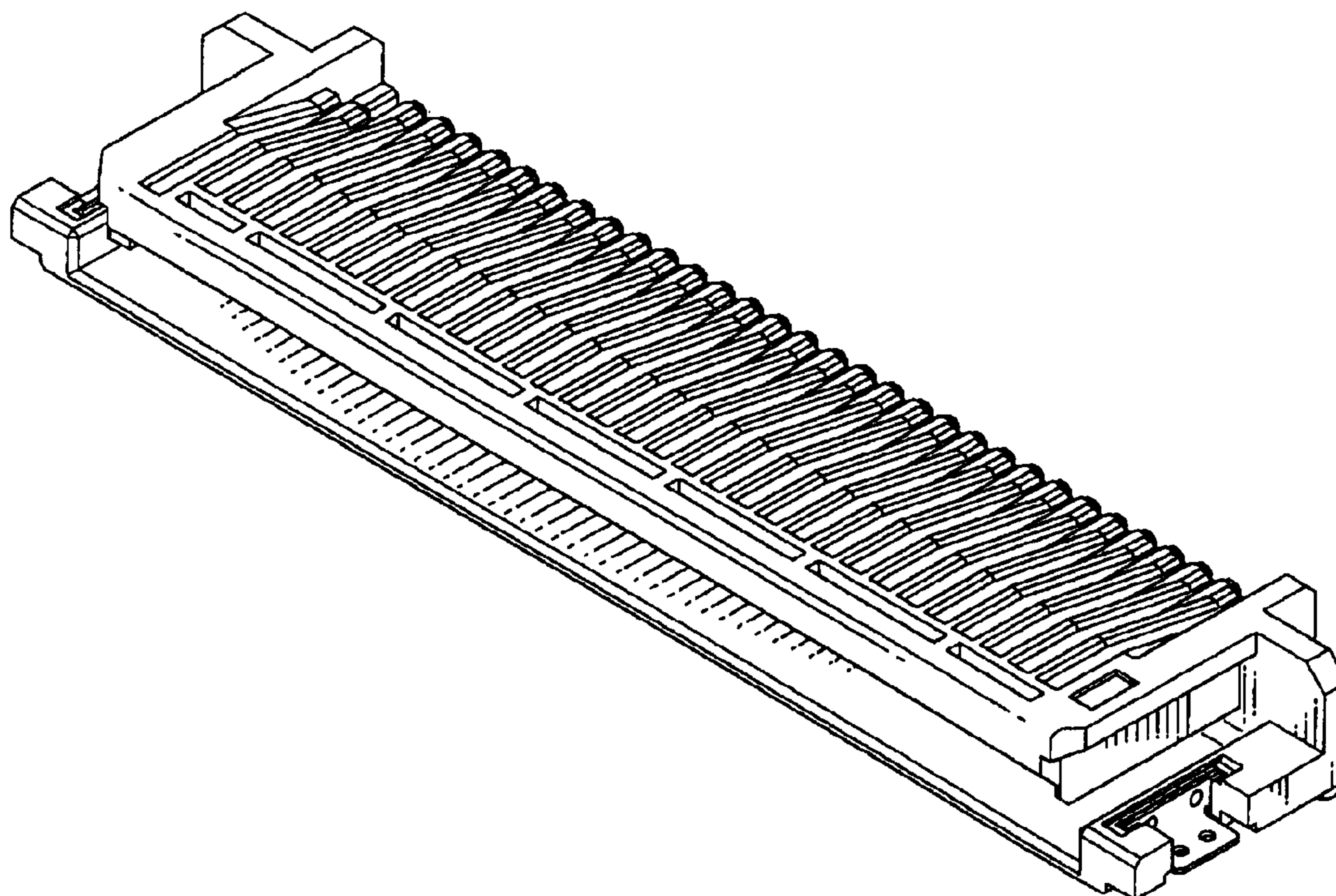


Fig. 1

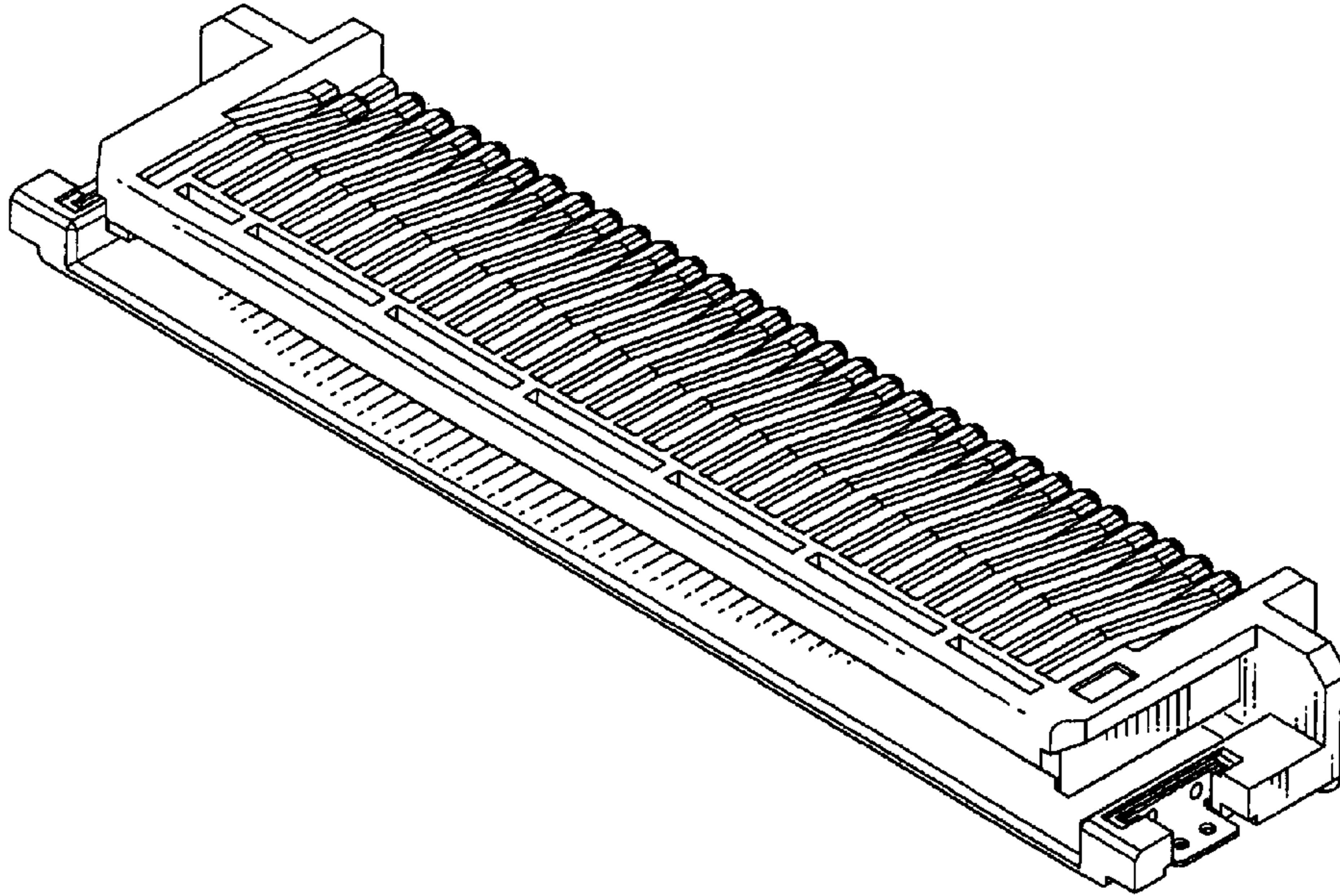


Fig. 2

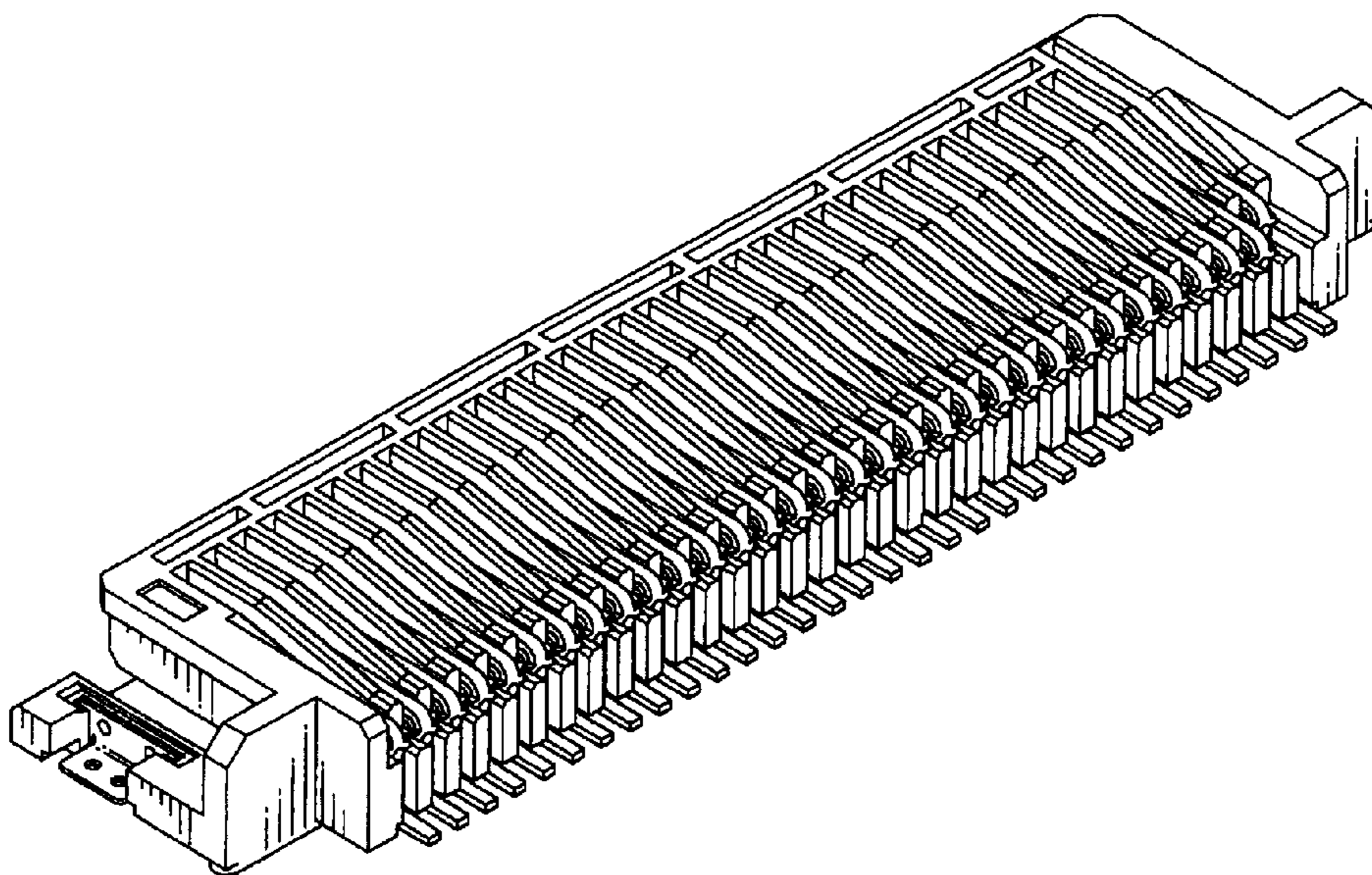


Fig. 3

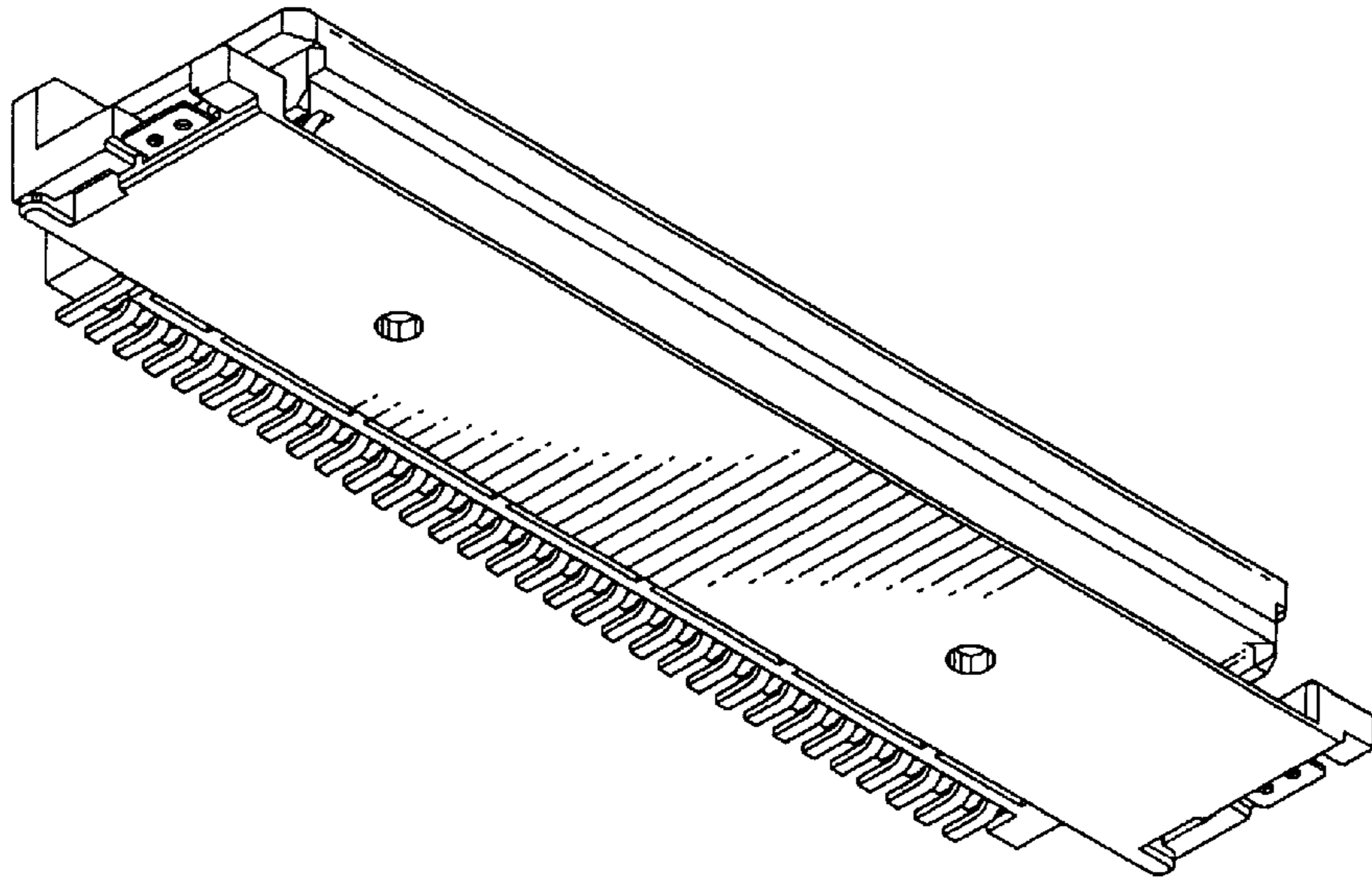


Fig. 4

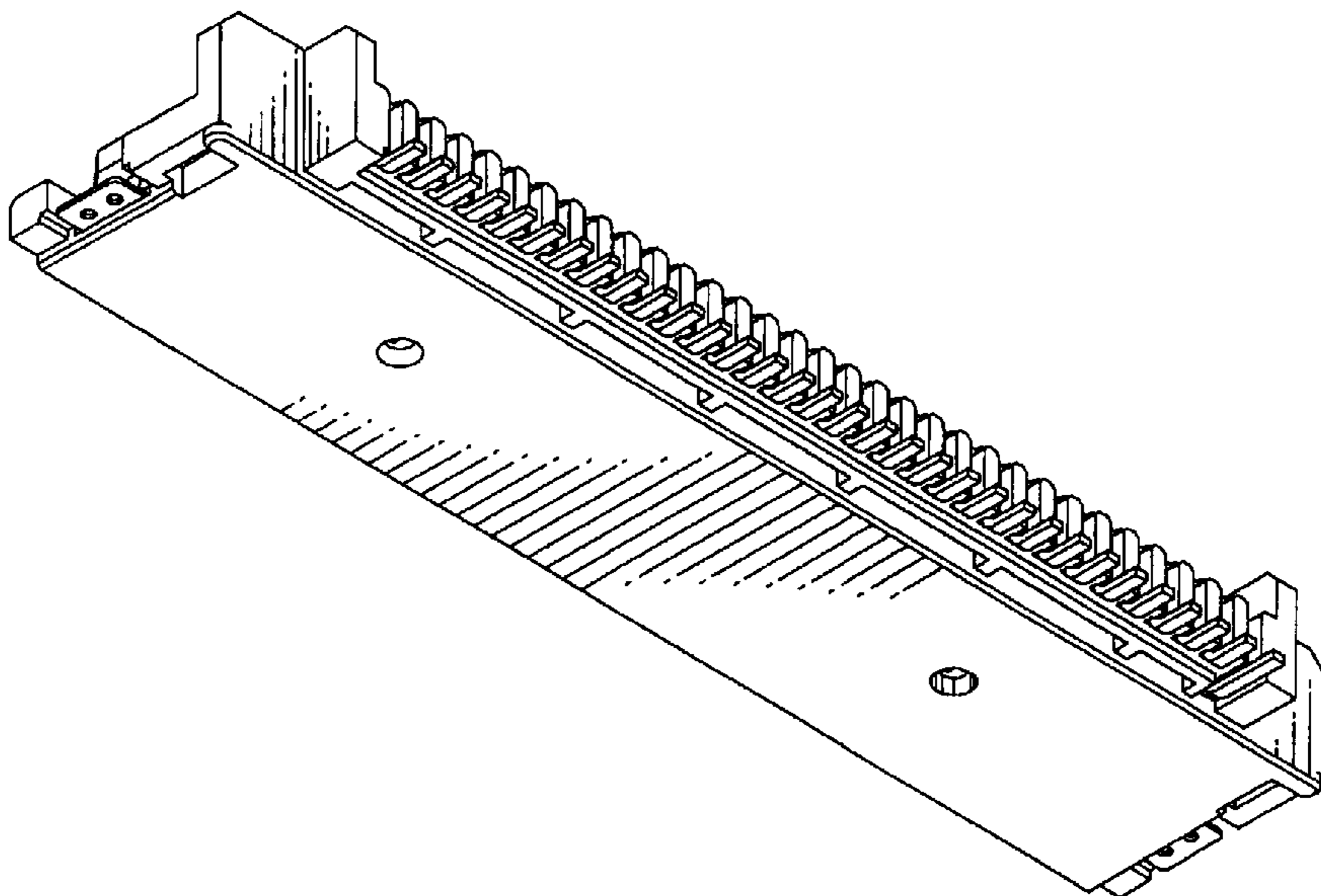
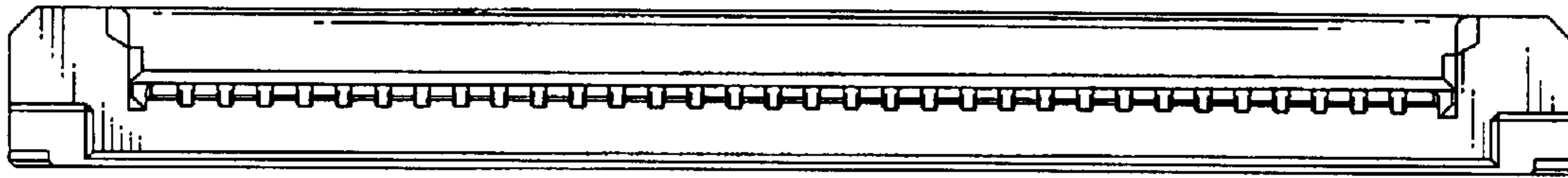


Fig. 5

→ 10



→ 10

Fig. 6

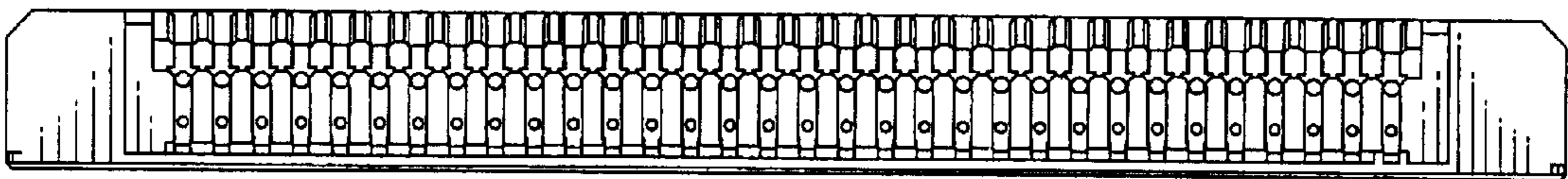


Fig. 7

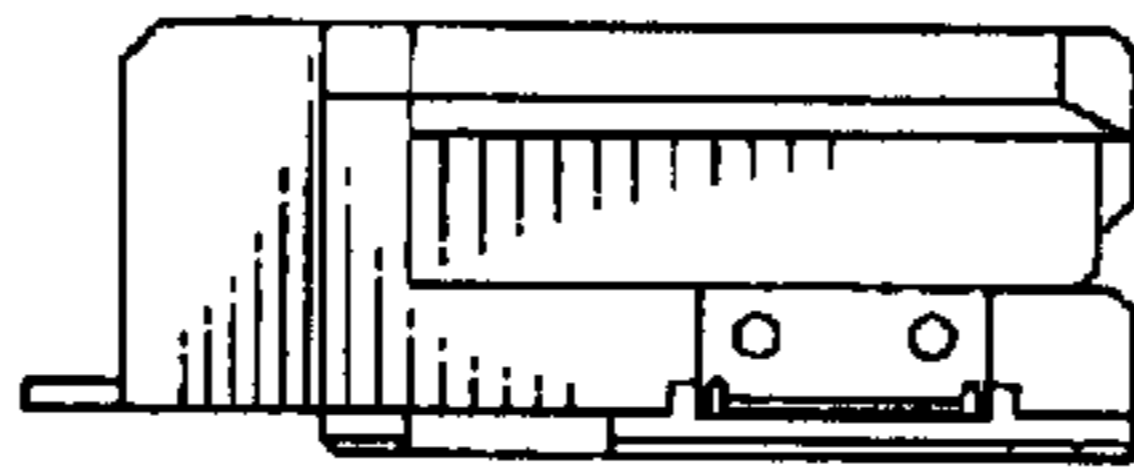


Fig. 8

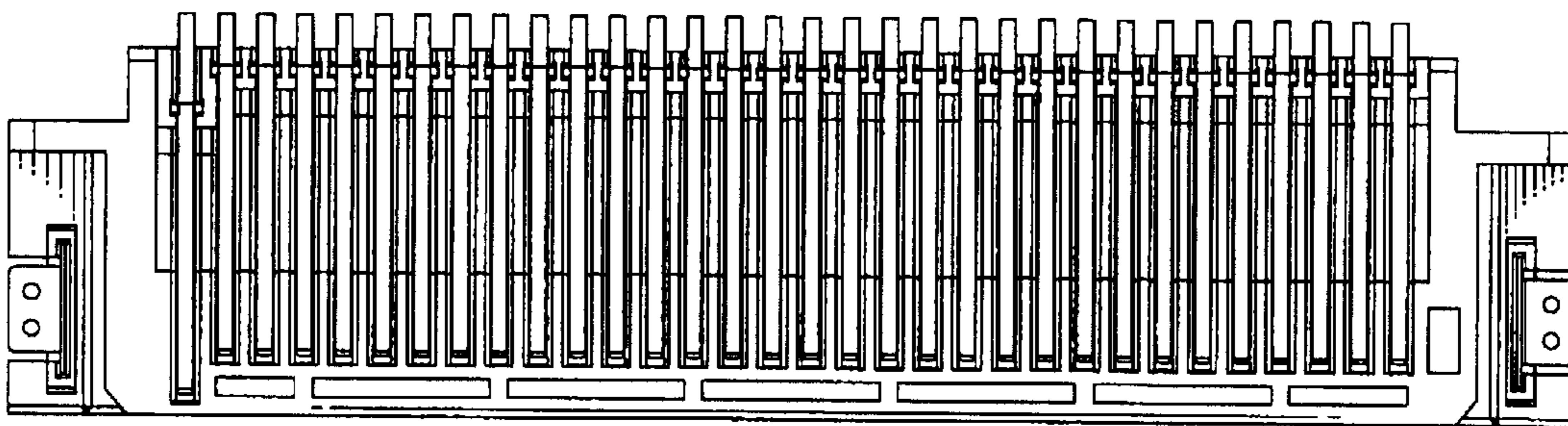


Fig. 9

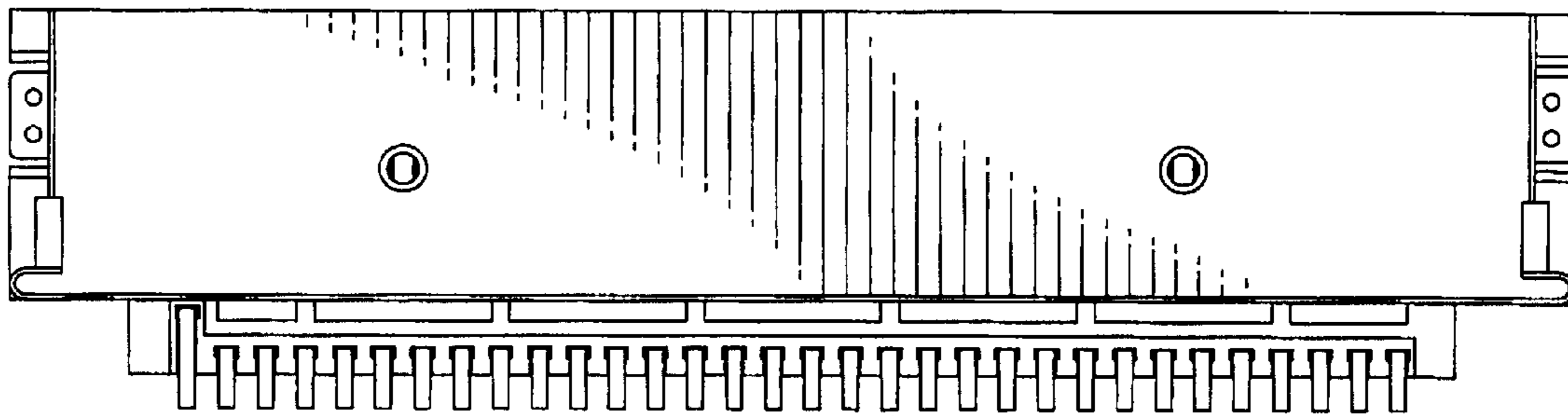


Fig. 10

