

US00D540261S

(12) **United States Design Patent**  
**Yang**

(10) **Patent No.:** **US D540,261 S**

(45) **Date of Patent:** **\*\* Apr. 10, 2007**

(54) **ELECTRICAL CONNECTOR**

(75) Inventor: **Meng-Huan Yang**, Tu-Cheng (TW)

(73) Assignee: **Hon Hai Precision Ind. Co., Ltd.**,  
Taipei Hsien (TW)

(\*\*) Term: **14 Years**

(21) Appl. No.: **29/240,022**

(22) Filed: **Oct. 6, 2005**

(30) **Foreign Application Priority Data**

May 10, 2005 (CN) ..... 2005 3 0083393

(51) **LOC (8) Cl.** ..... **13-03**

(52) **U.S. Cl.** ..... **D13/147**

(58) **Field of Classification Search** ..... D13/123,  
D13/133, 146-147, 154, 184; D14/432-433,  
D14/435-436, 439; D16/200, 218; 439/71-73,  
439/83, 638, 330-331, 607-610, 625-626,  
439/629-631, 680, 876

See application file for complete search history.

(56) **References Cited**

**U.S. PATENT DOCUMENTS**

5,073,116 A \* 12/1991 Beck, Jr. .... 439/71

5,364,278 A \* 11/1994 Laub ..... 439/69

5,588,847 A \* 12/1996 Tate ..... 439/71

D382,578 S \* 8/1997 Cieslikowski ..... D16/200  
6,393,698 B1 \* 5/2002 Kuriyama et al. .... 29/883  
D524,749 S \* 7/2006 Wang et al. .... D13/147  
7,077,680 B1 \* 7/2006 Wang et al. .... 439/331  
2005/0239302 A1 \* 10/2005 Wada ..... 439/71

\* cited by examiner

*Primary Examiner*—Daniel Bui

(74) *Attorney, Agent, or Firm*—Wei Te Chung

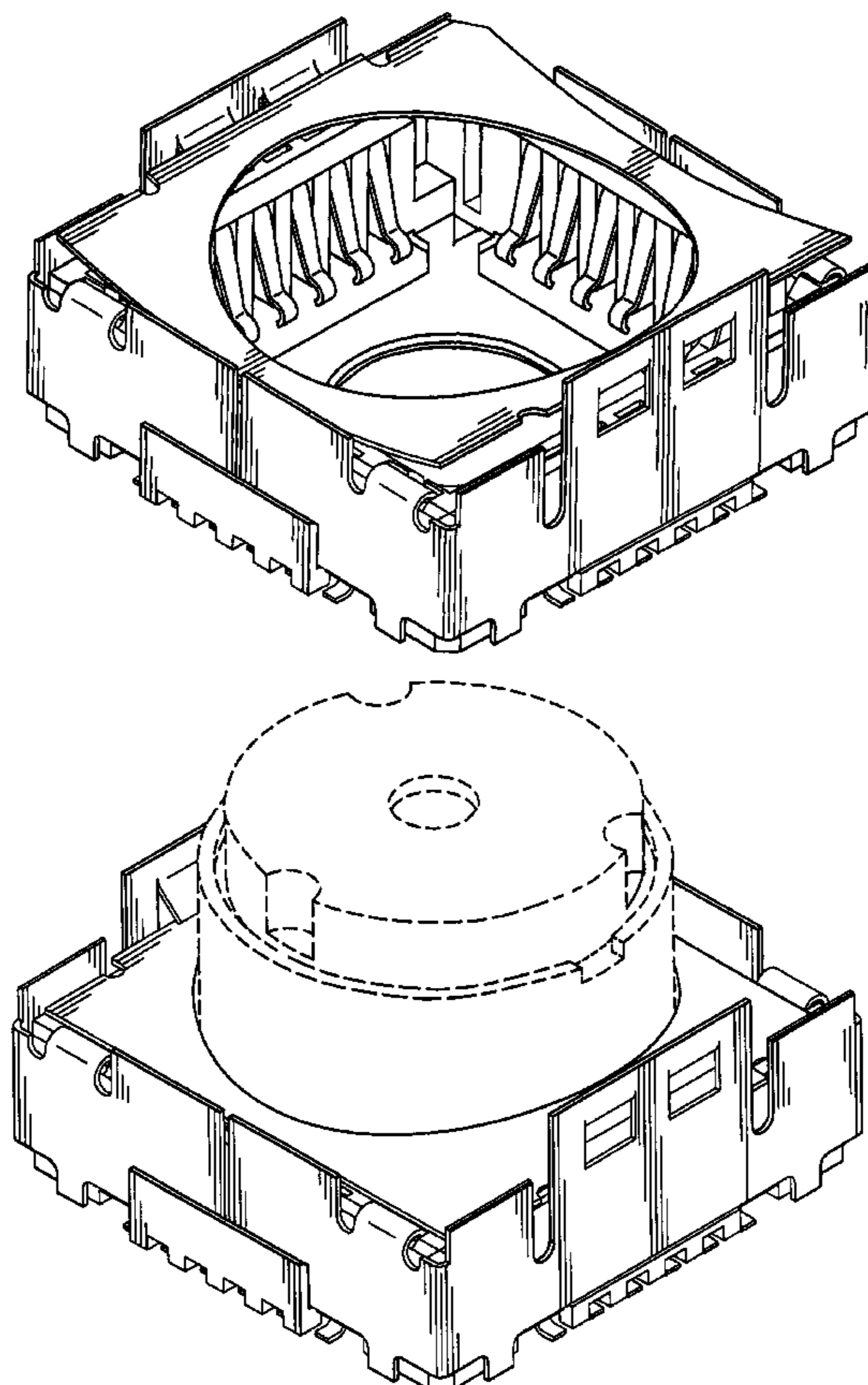
(57) **CLAIM**

The ornamental design for an electrical connector, as shown and described.

**DESCRIPTION**

FIG. 1 is a front, top and right side perspective view of an electrical connector showing my new design;  
FIG. 2 is a front elevational view thereof;  
FIG. 3 is a rear elevational view thereof;  
FIG. 4 is a left side elevational view thereof;  
FIG. 5 is a right side elevational view thereof;  
FIG. 6 is a top plan view thereof;  
FIG. 7 is a bottom plan view thereof; and,  
FIG. 8 is a front, top and right side perspective view thereof, in use condition. The broken line showing of the environment is for illustrative purposes only and forms no part of the claimed design.

**1 Claim, 8 Drawing Sheets**



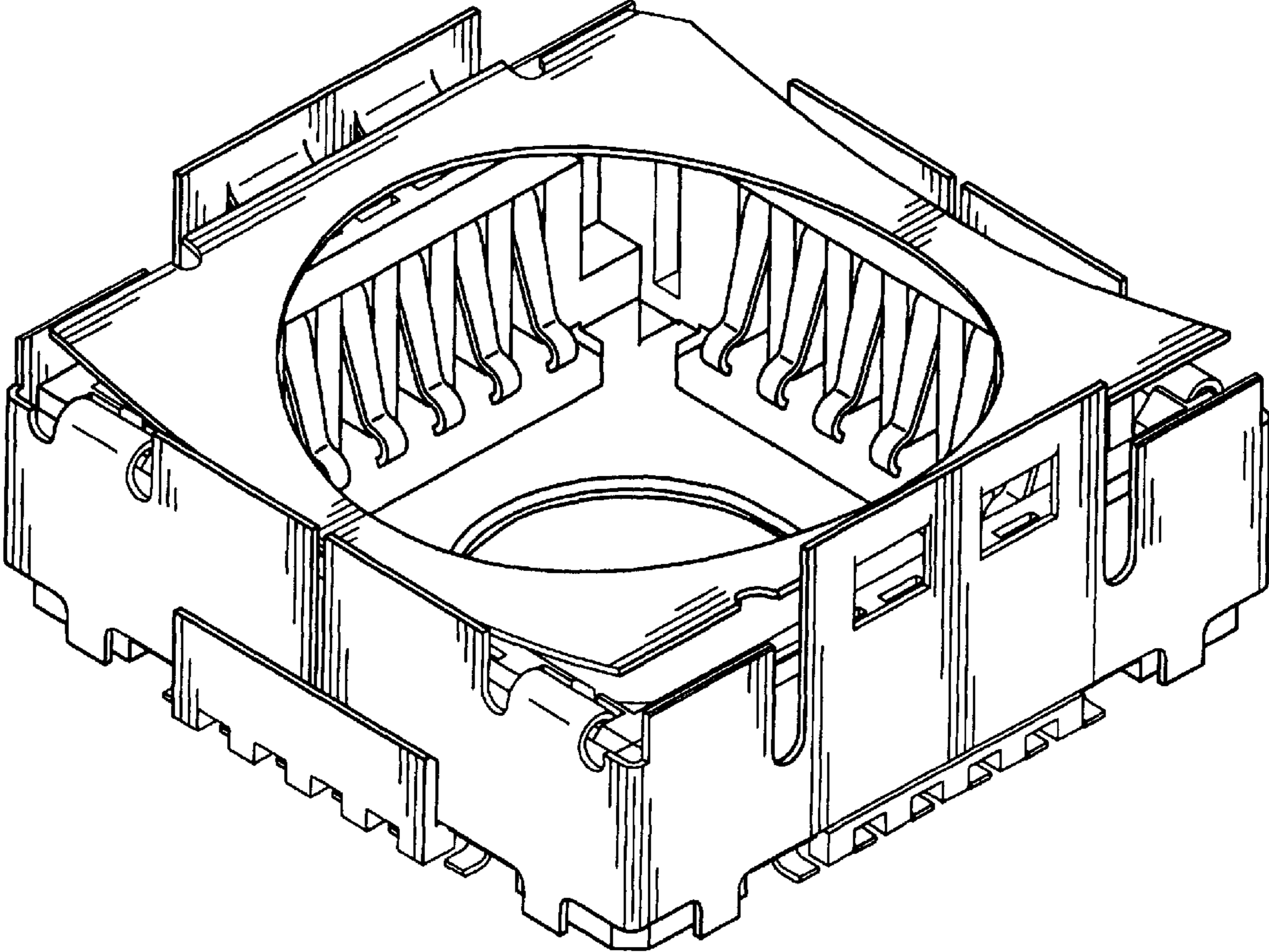


FIG. 1

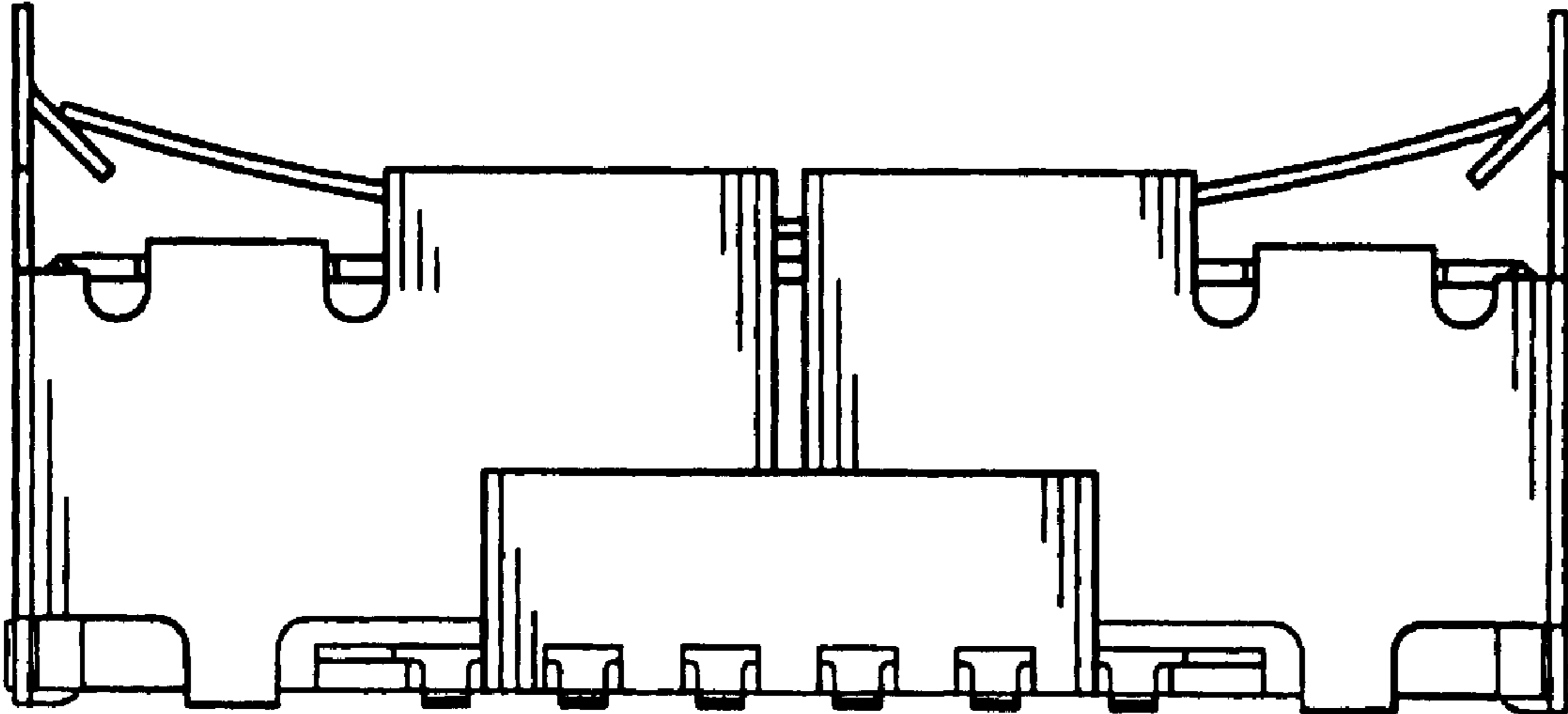


FIG. 2

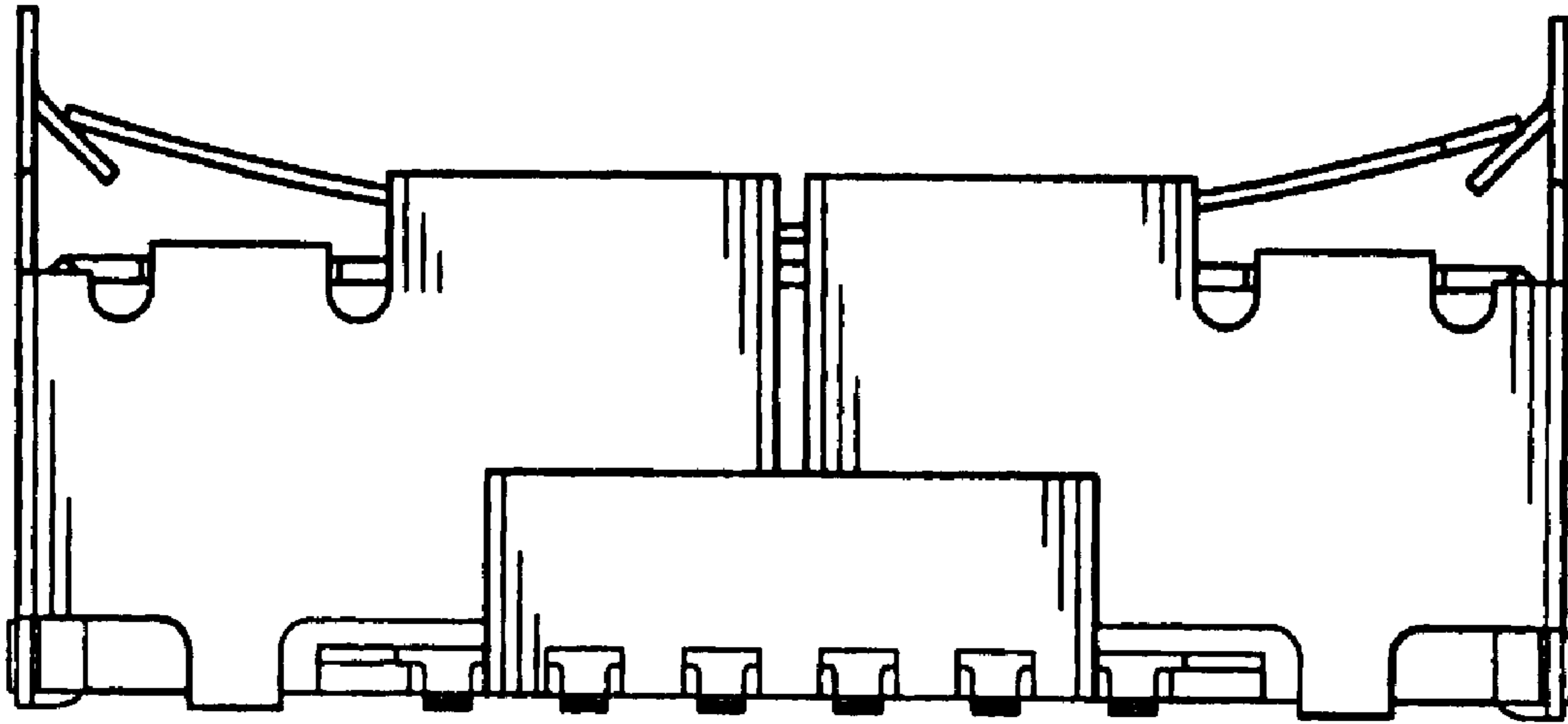


FIG. 3

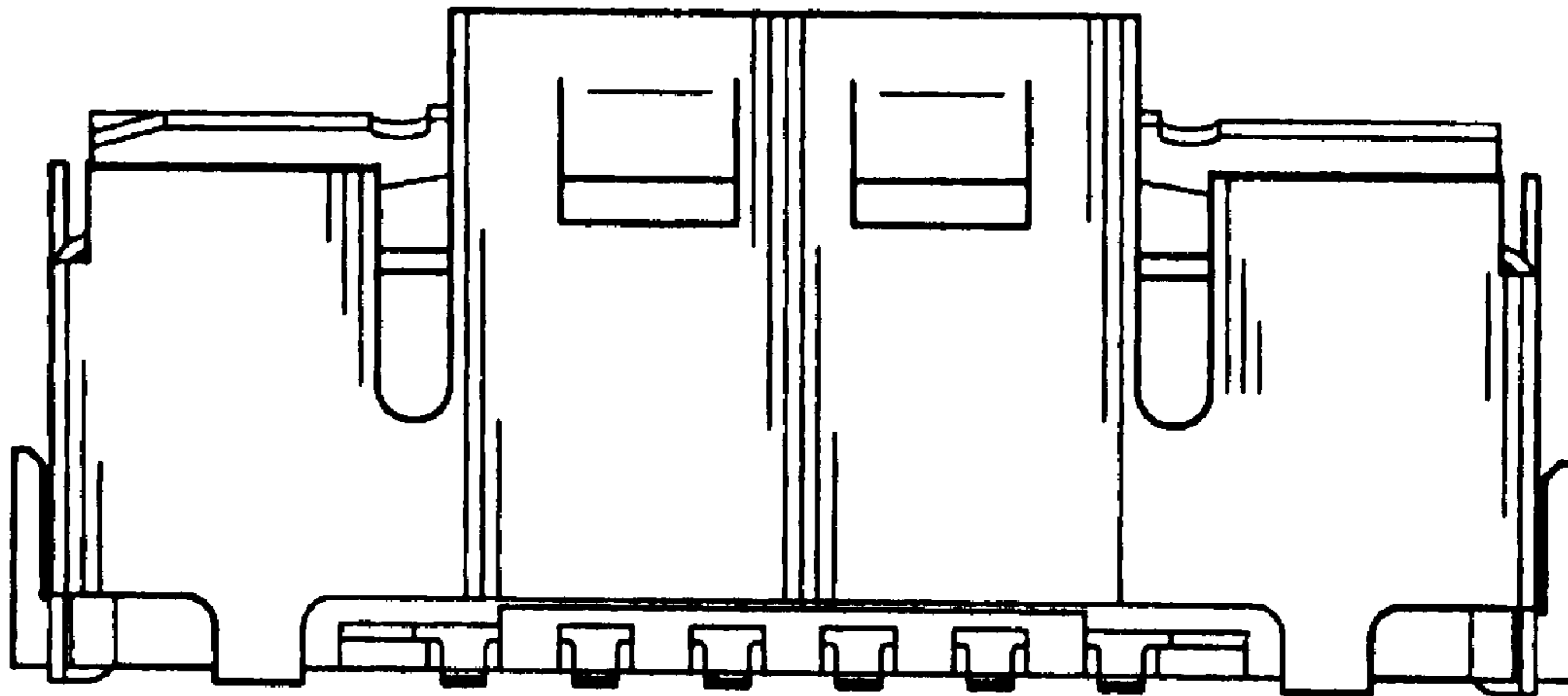


FIG. 4

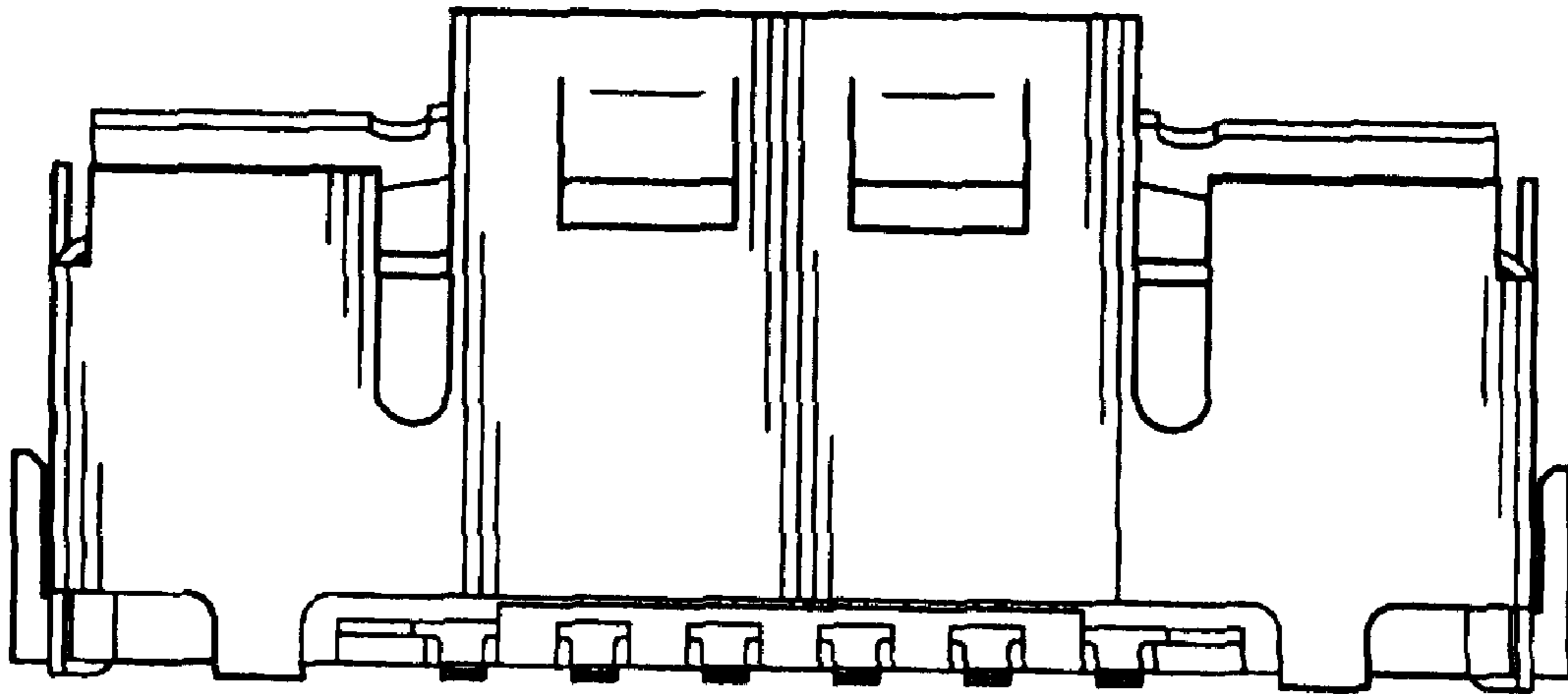


FIG. 5

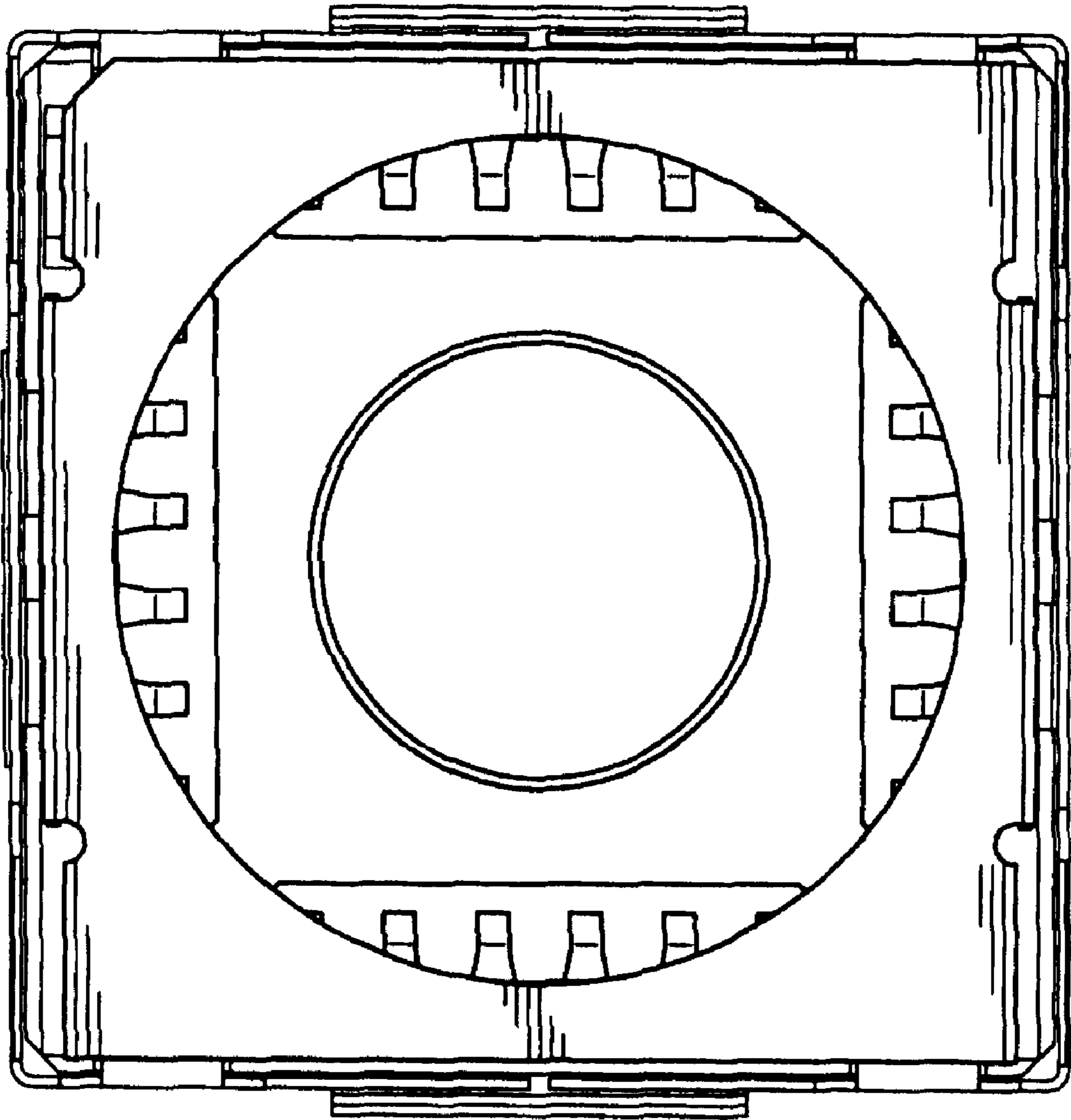


FIG. 6

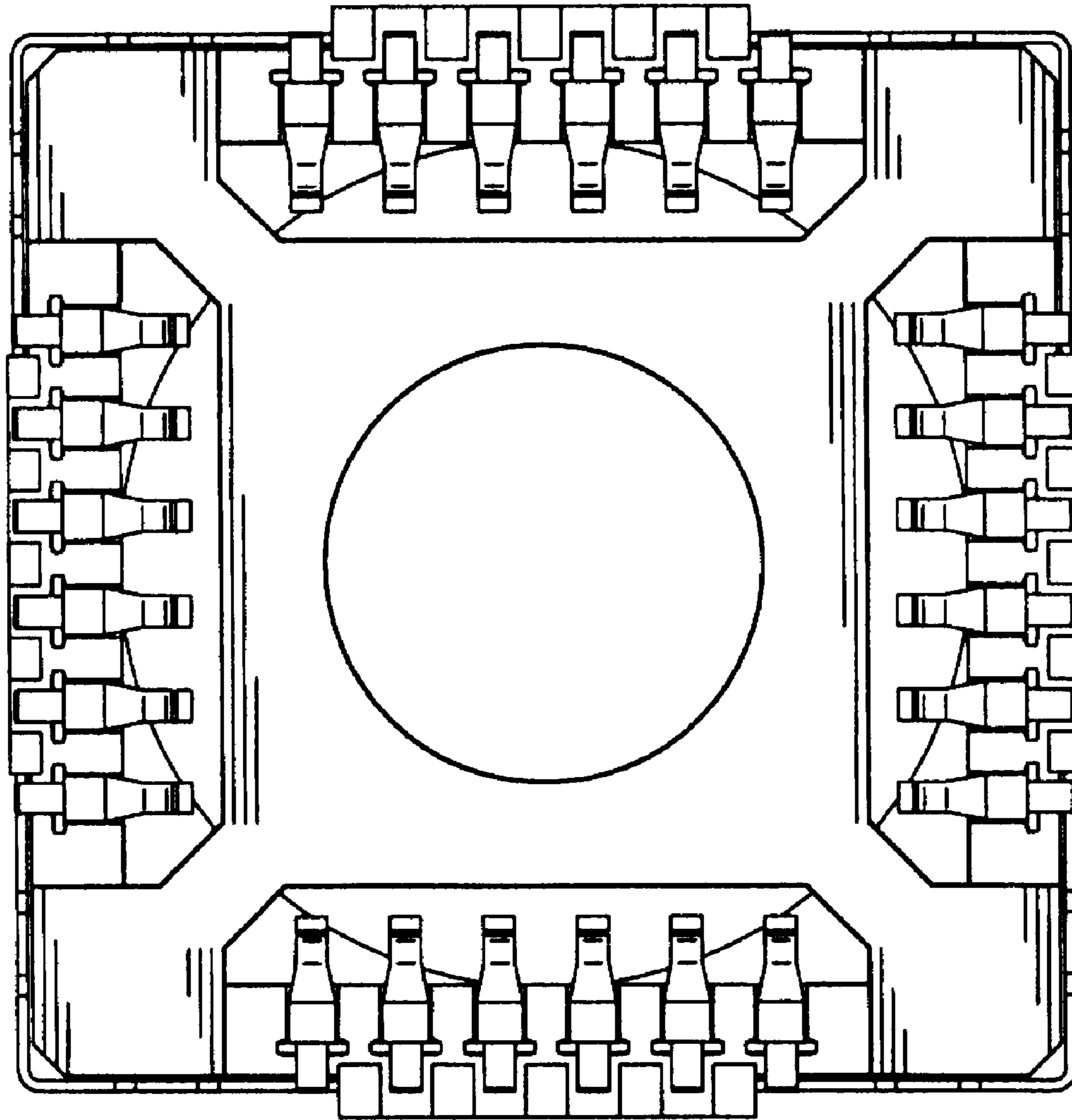


FIG. 7



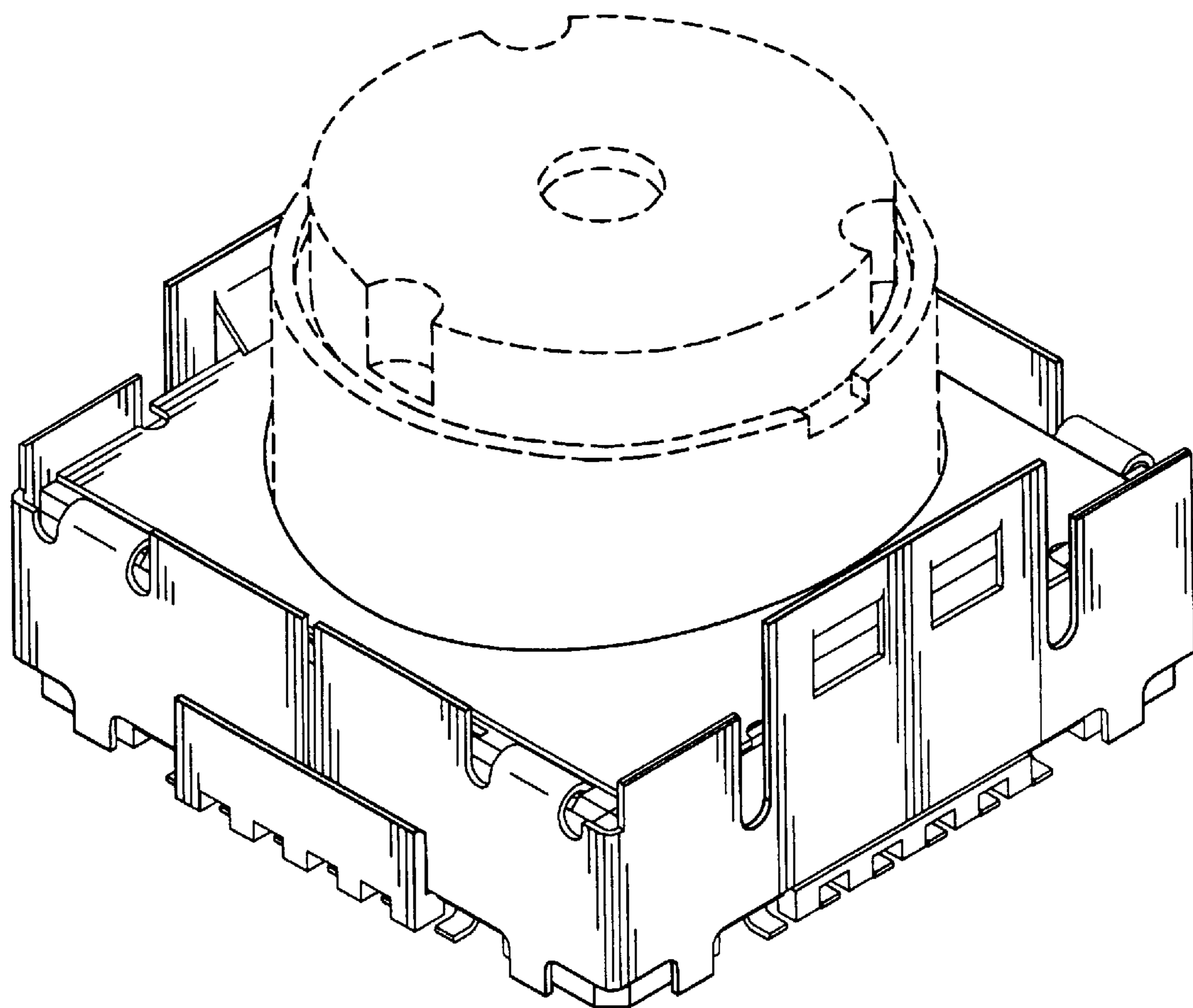


FIG. 8