



US00D540259S

(12) **United States Design Patent**
Huang et al.

(10) **Patent No.:** **US D540,259 S**

(45) **Date of Patent:** **** Apr. 10, 2007**

(54) **CONNECTOR ADAPTER**

(75) Inventors: **Hung-Way Huang**, Taipei (TW);
Swu-Lin Dwan, Taipei (TW);
Fang-Hwung Wang, Taipei (TW)

(73) Assignee: **Advanced-Connectek, Inc.**, Taipei (TW)

(**) Term: **14 Years**

(21) Appl. No.: **29/225,584**

(22) Filed: **Mar. 18, 2005**

(30) **Foreign Application Priority Data**

Oct. 22, 2004 (TW) 93306228

(51) **LOC (8) Cl.** **13-03**

(52) **U.S. Cl.** **D13/147**

(58) **Field of Classification Search** D13/133,
D13/146-147, 154, 184, 199; 439/352-353,
439/357-358, 677-681, 607, 610, 686
See application file for complete search history.

(56) **References Cited**

U.S. PATENT DOCUMENTS

D297,530 S	*	9/1988	Cooper	D13/147
D319,431 S	*	8/1991	Constien	D13/184
D396,689 S	*	8/1998	Karten et al.	D13/147
D406,819 S	*	3/1999	Taguchi	D13/154
D459,703 S	*	7/2002	Aldridge	D13/147

D463,373 S	*	9/2002	Lee	D13/147
D468,266 S	*	1/2003	Huang	D13/147
D513,408 S	*	1/2006	Suckle	D13/154
D515,036 S	*	2/2006	Liang	D13/147

* cited by examiner

Primary Examiner—Stella Reid

Assistant Examiner—Daniel Bui

(74) *Attorney, Agent, or Firm*—Johnson & Associates, PC;
Chauncey B. Johnson, Esq.

(57) **CLAIM**

The ornamental design for a connector adapter, as shown and described.

DESCRIPTION

FIG. 1 is a perspective view of a connector adapter showing our new design;

FIG. 2 is a front view thereof;

FIG. 3 is a rear view thereof;

FIG. 4 is a top view thereof;

FIG. 5 is a bottom view thereof;

FIG. 6 is a left view thereof;

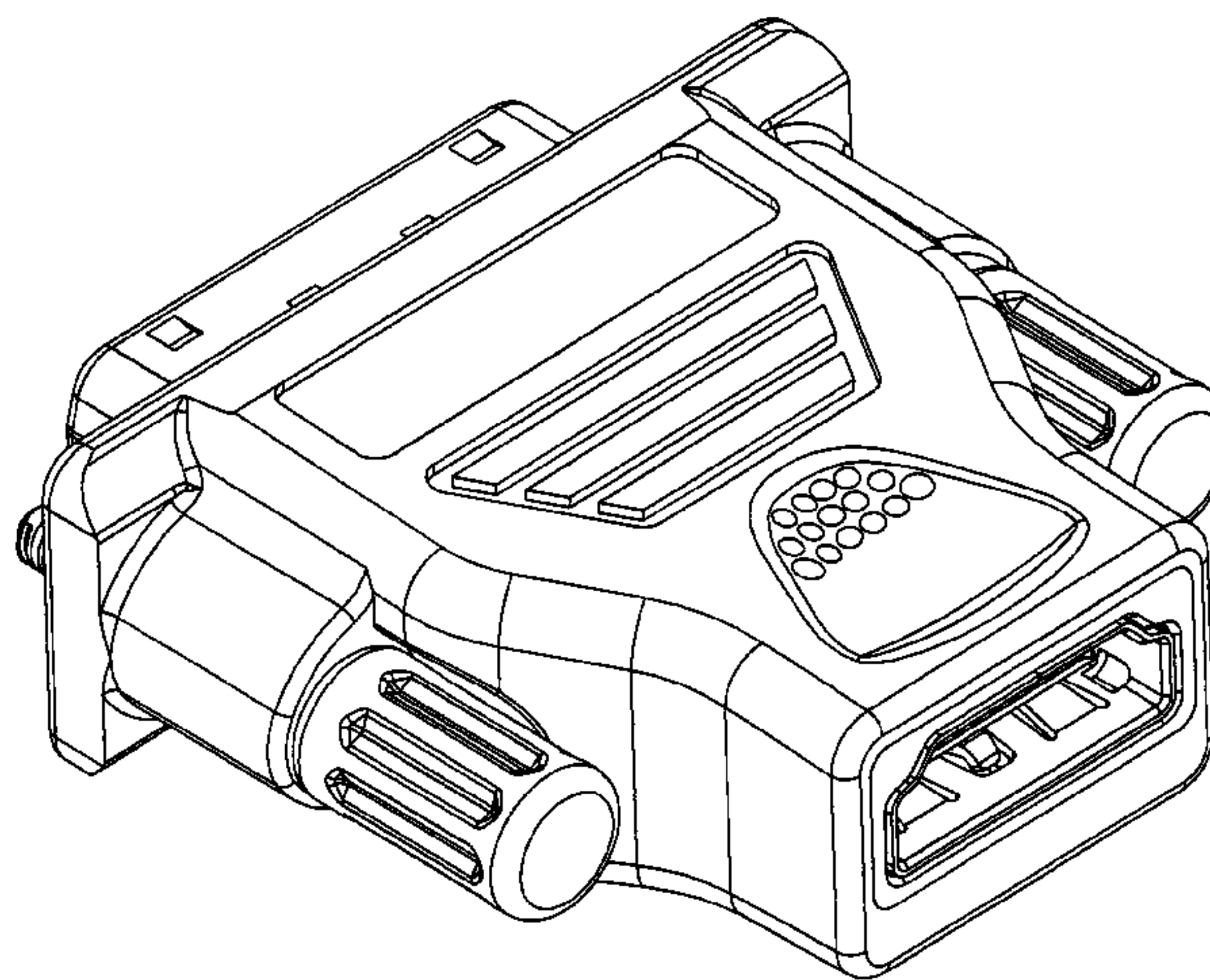
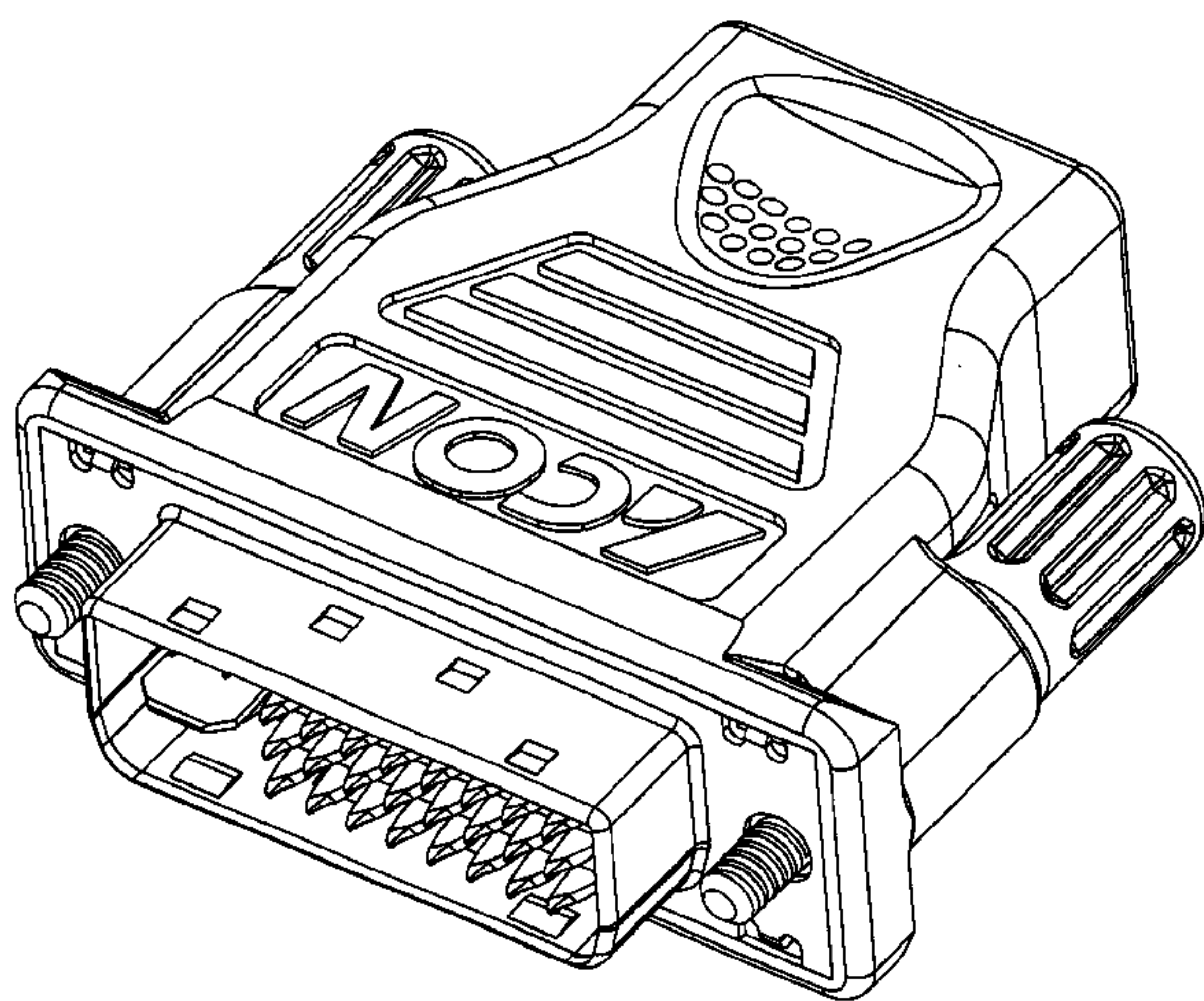
FIG. 7 is a right view thereof; and,

FIG. 8 is another perspective view thereof.

The trademark "ACON" forming part of the claimed design is a registered trademark (Reg. No. 2,157,036) of Advanced-Connectek Inc. (Taiwan Corporation).

The ornamental for a connector adapter, as shown and described.

1 Claim, 5 Drawing Sheets



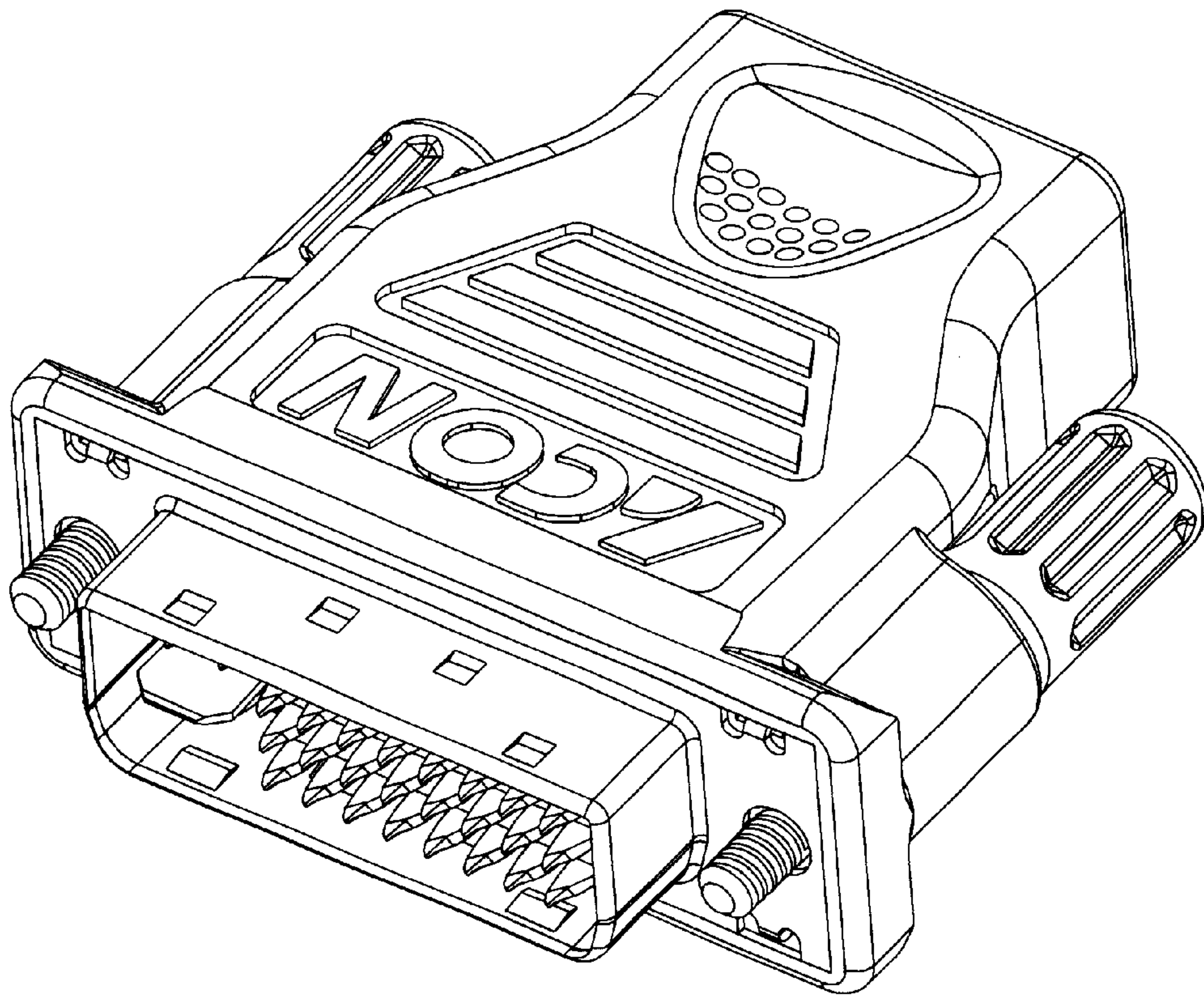


FIG.1

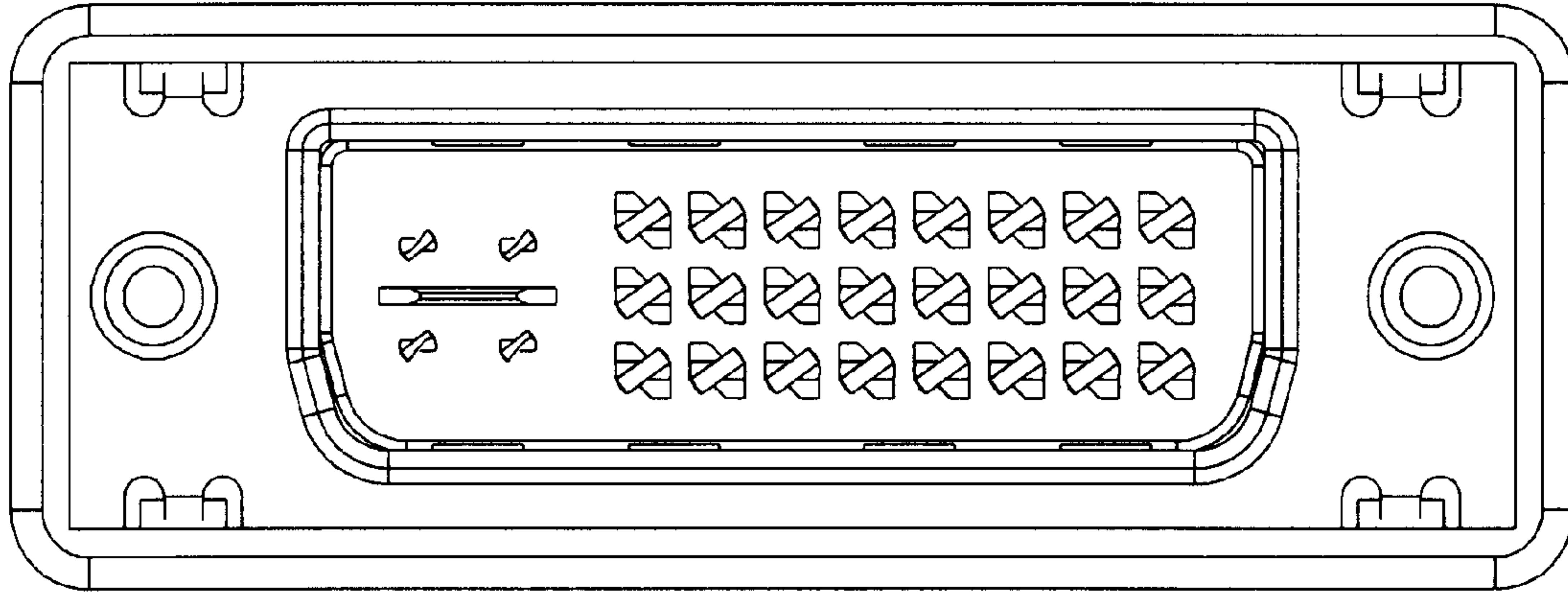


FIG. 2

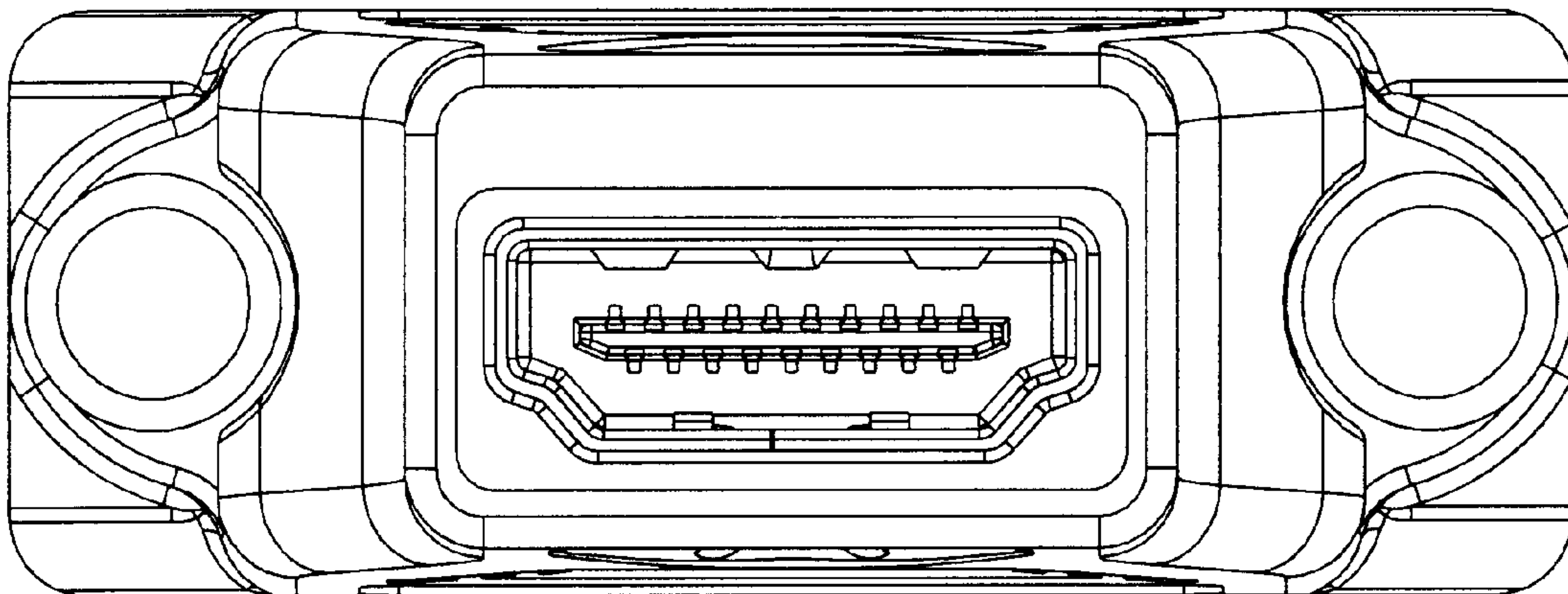


FIG. 3

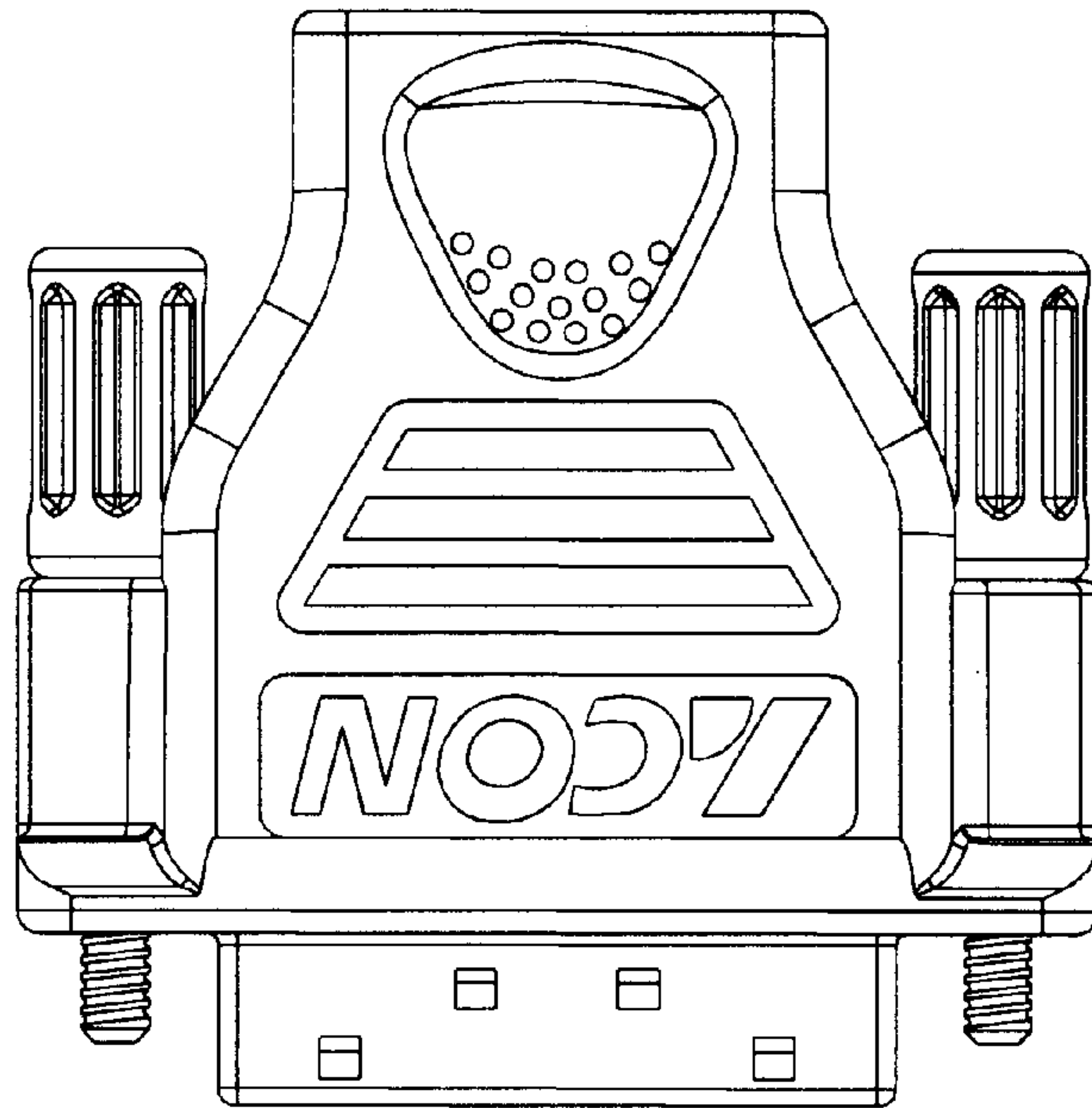


FIG. 4

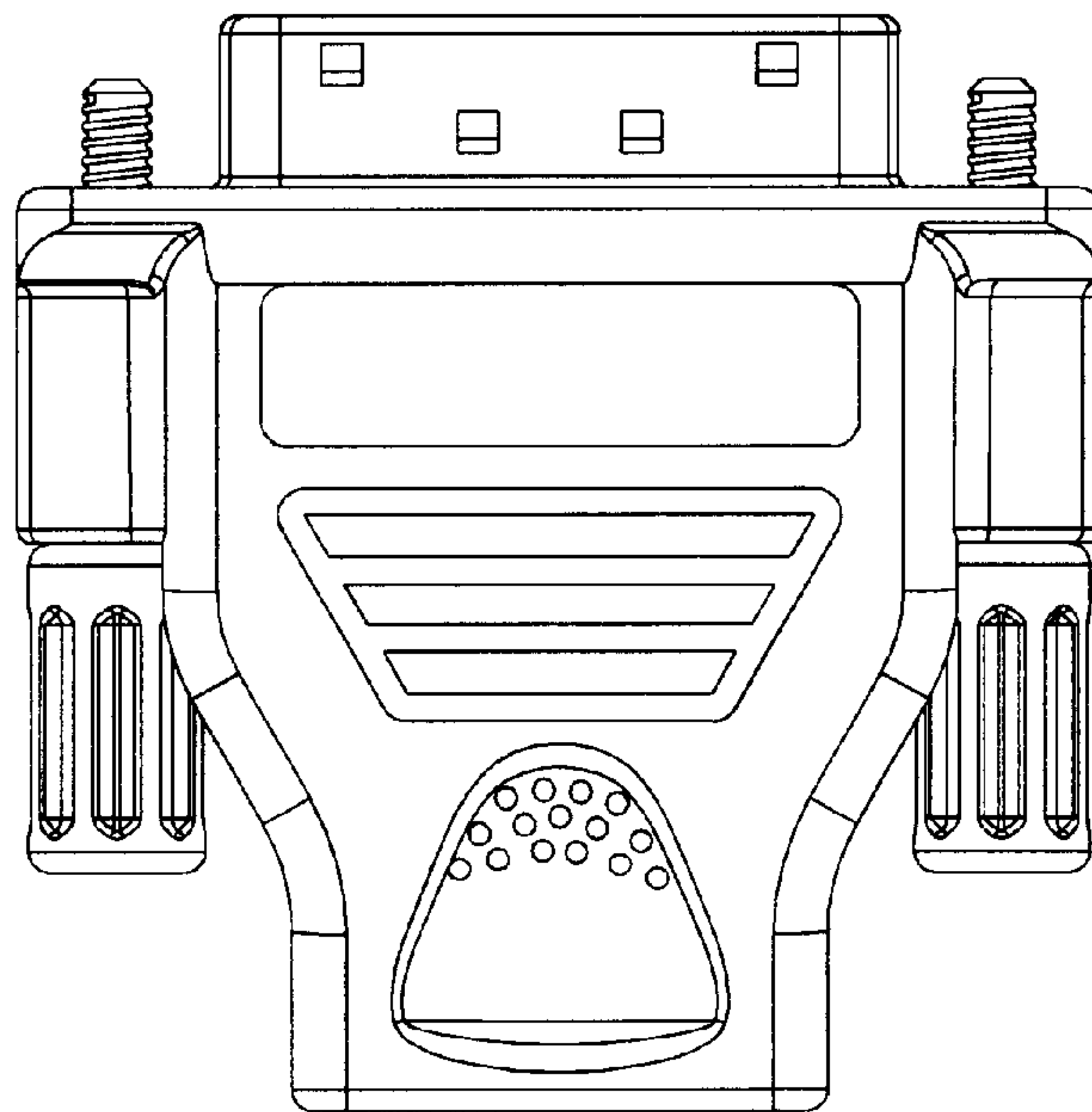


FIG. 5

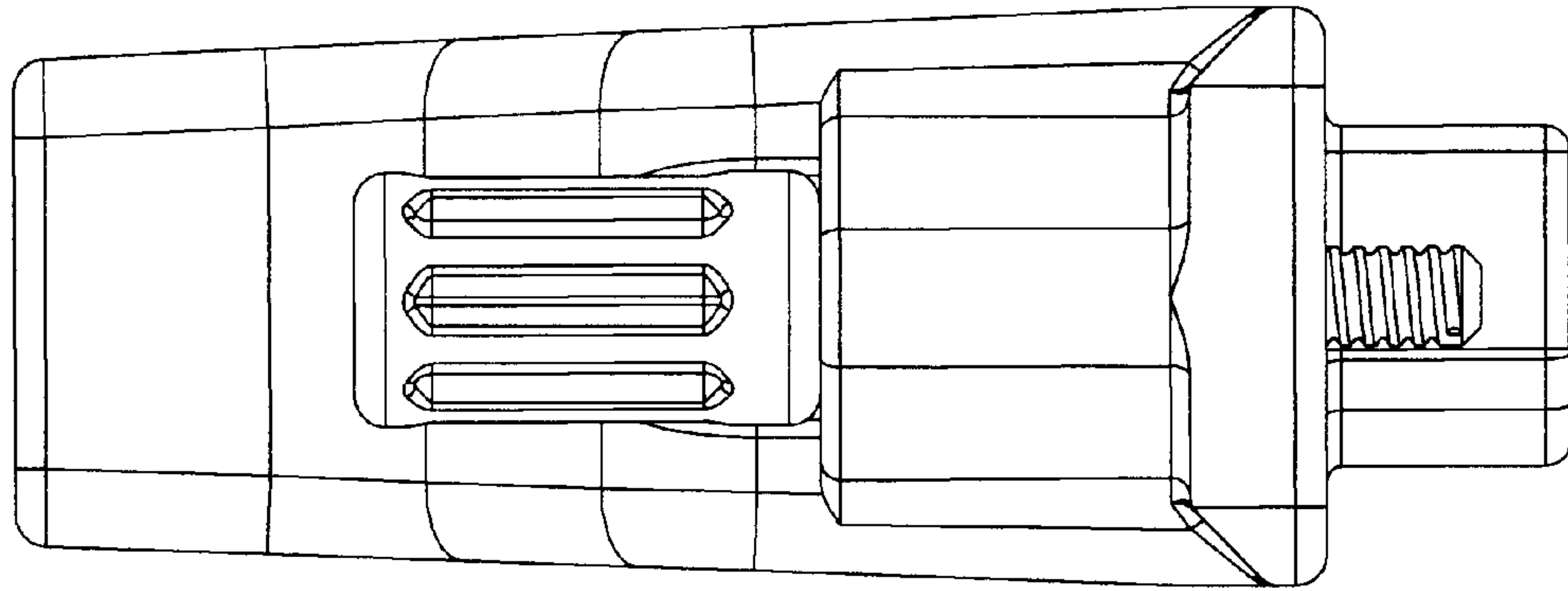


FIG. 6

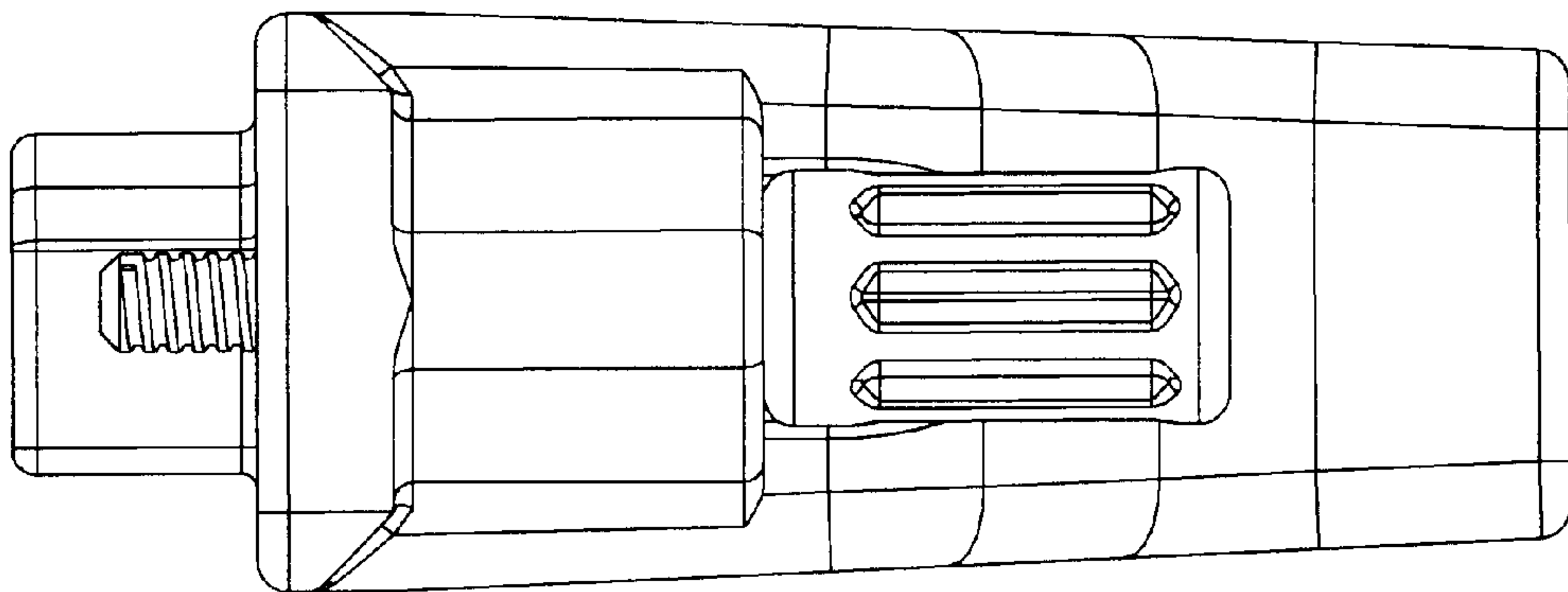


FIG. 7

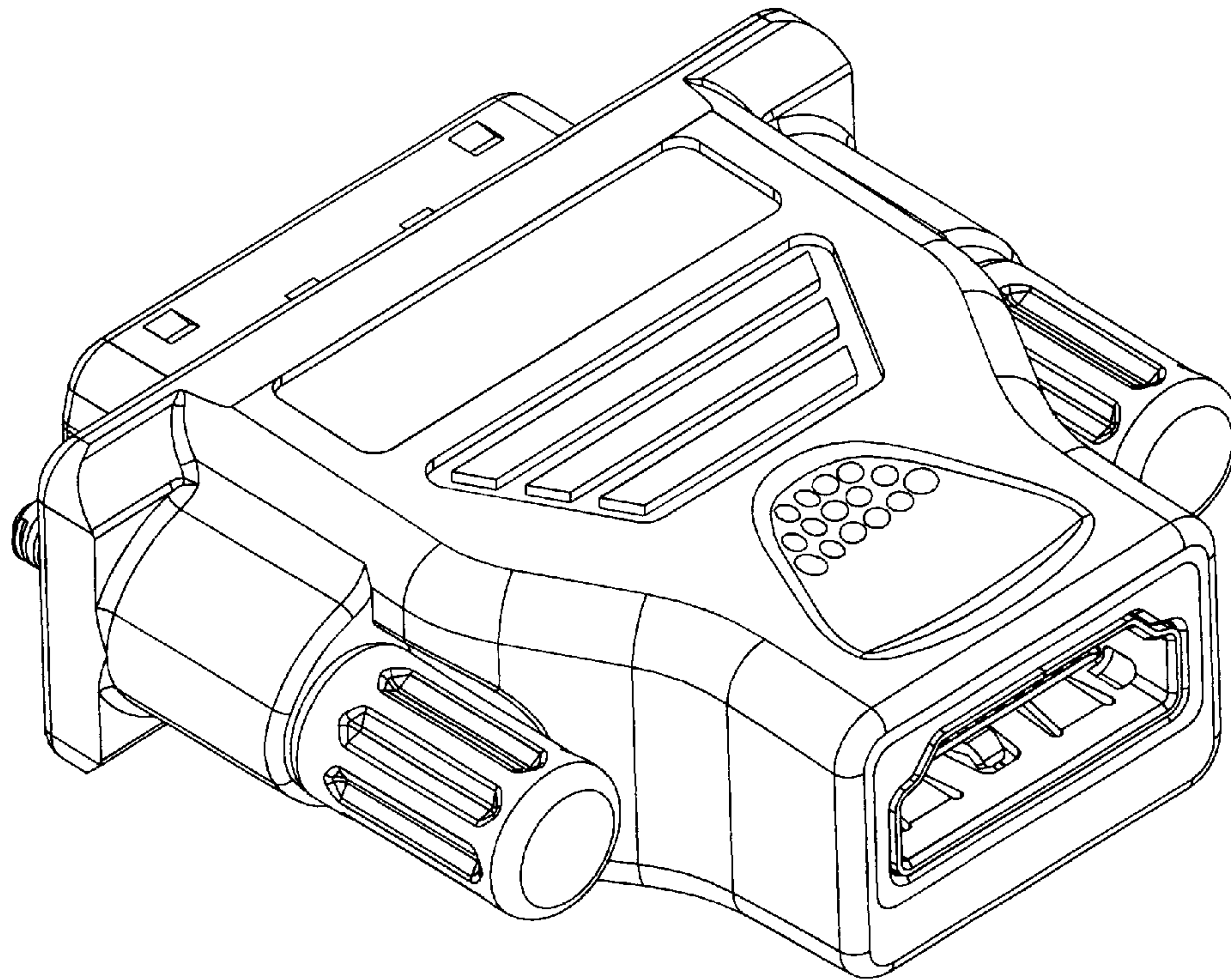


FIG.8