



US00D540257S

(12) **United States Design Patent**  
**Ivanova et al.**

(10) **Patent No.: US D540,257 S**  
(45) **Date of Patent: \*\* Apr. 10, 2007**

(54) **ELECTRICAL ADAPTER**

(76) Inventors: **Irina Ivanova**, 164 E. 33<sup>rd</sup> St. Apt. 9,  
New York, NY (US) 10016; **Botir T. Sagdullaev**, 164 E. 33<sup>rd</sup> St. Apt. 9,  
New York, NY (US) 10016

(\*\*) Term: **14 Years**

(21) Appl. No.: **29/242,439**

(22) Filed: **Nov. 11, 2005**

(51) **LOC (8) Cl.** ..... **13-03**

(52) **U.S. Cl.** ..... **D13/137.2**

(58) **Field of Classification Search** .. D13/137.1–137.4,  
D13/138.1, 138.2, 139.1, 139.6–139.8, 133,  
D13/154, 156; 439/171–172, 140, 160, 164,  
439/135–138, 446, 131, 606, 105–106, 11,  
439/13, 31, 650–655, 628, 476.1, 478, 480,  
439/483–484, 696, 692, 645–646; 174/53–58;  
337/197–187

See application file for complete search history.

(56) **References Cited**

**U.S. PATENT DOCUMENTS**

D86,613 S	*	3/1932	Lauter	.....	D13/137.2
D138,086 S	*	6/1944	Ludwig	.....	D13/137.2
D152,992 S	*	3/1949	Ludwig	.....	D13/139.7
2,673,969 A	*	3/1954	Pfister	.....	439/653
4,085,996 A	*	4/1978	Koslo	.....	439/105
D251,293 S	*	3/1979	Trueblood	.....	D13/137.2
4,293,172 A	*	10/1981	Lingaraju	.....	439/105
D276,225 S	*	11/1984	Powel	.....	D13/137.2
D318,849 S		8/1991	Luu		
D319,213 S		8/1991	Wiand		
D324,029 S		2/1992	Luu		
D327,873 S		7/1992	Luu		
D329,423 S		9/1992	Luu		
D349,885 S		8/1994	Lee		
D356,544 S		3/1995	Fladung		
D365,802 S		1/1996	Fladung		
D368,893 S		4/1996	Harwood et al.		
D411,168 S		6/1999	Rossman et al.		
D411,511 S		6/1999	Rossman et al.		
D427,973 S		7/2000	Giese		

D435,516 S		12/2000	Stekelenburg		
D436,923 S		1/2001	Stekelenburg		
6,220,897 B1	*	4/2001	Maxwell	.....	439/652
D445,401 S		7/2001	Tong et al.		
D446,189 S		8/2001	Lee		
D446,503 S		8/2001	Lee		
D452,215 S		12/2001	Stekelenburg		
D458,225 S		6/2002	Stekelenburg		
6,485,327 B1	*	11/2002	Morlock et al.	.....	439/527
D484,099 S		12/2003	Bettencourt		
D486,792 S		2/2004	Stoughton		
D492,253 S		6/2004	Lee		
D495,657 S	*	9/2004	Lee	.....	D13/137.2
D505,917 S		6/2005	Murphy		
D512,963 S	*	12/2005	Lee	.....	D13/137.2
D514,067 S	*	1/2006	Lee	.....	D13/137.2

**OTHER PUBLICATIONS**

Products, I (A–C, 1 sheet) depicting nine miscellaneous exemplars are dating Nov. 11, 2005.

Products –II (A–D, 1 sheet) depicting four miscellaneous exemplars are dating Nov. 11, 2005.

Products –III (A–C, 1 sheet) depicting three miscellaneous exemplars are dating Nov. 11, 2005.

\* cited by examiner

*Primary Examiner*—Ian Simmons

*Assistant Examiner*—Rosemary K. Tarcza

(74) *Attorney, Agent, or Firm*—Darby & Darby

(57) **CLAIM**

The ornamental design for an electrical adapter, as shown and described.

**DESCRIPTION**

FIG. 1 is a left, front, and top perspective view of our new design for an electrical adapter;

FIG. 2 is a left side elevation view of the electrical adapter shown in FIG. 1;

FIG. 3 is a front side elevation view of the electrical adapter shown in FIG. 1;

FIG. 4 is a top plan view of the electrical adapter shown in FIG. 1;

FIG. 5 is a right side elevation view of the electrical adapter shown in FIG. 1;

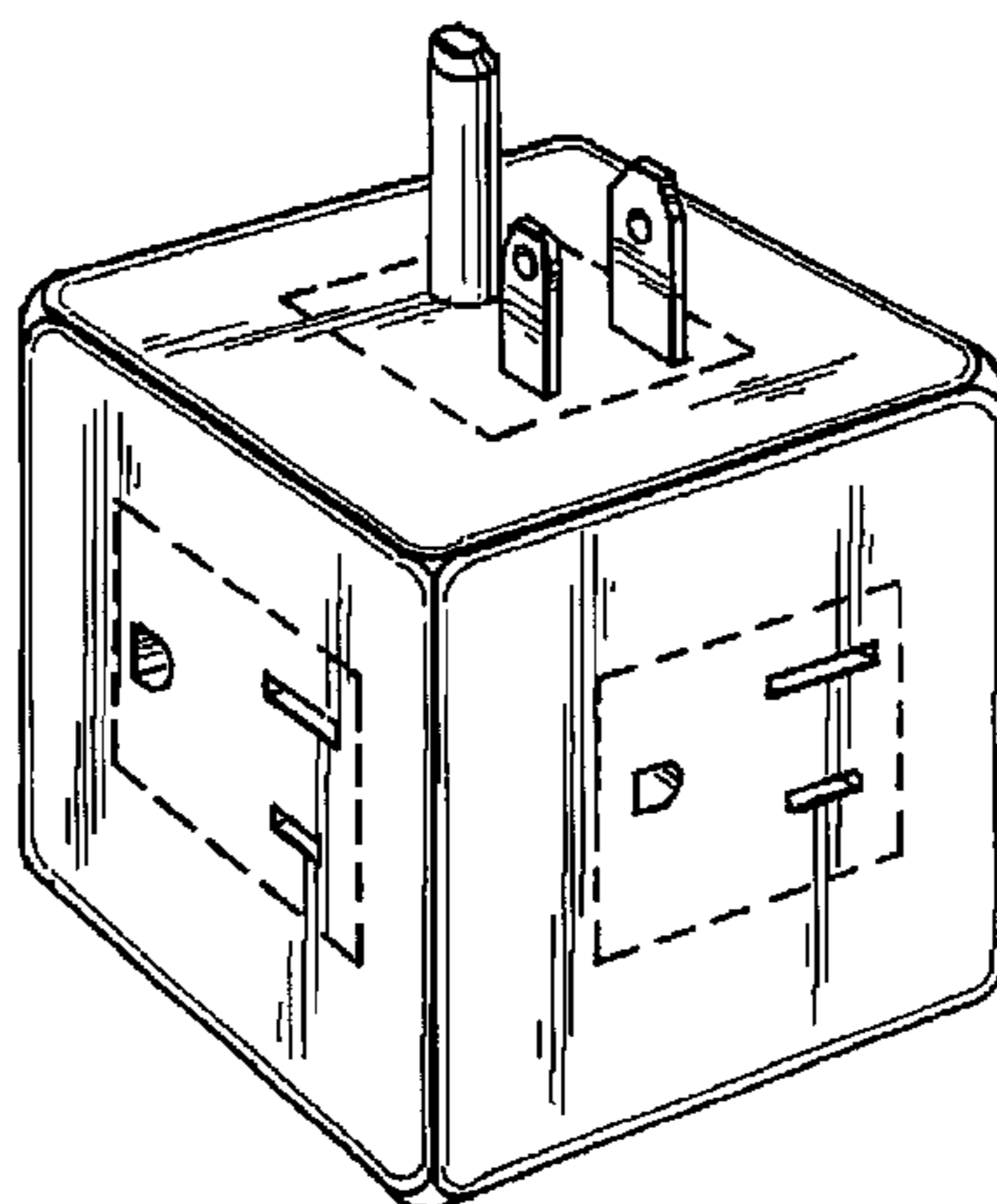
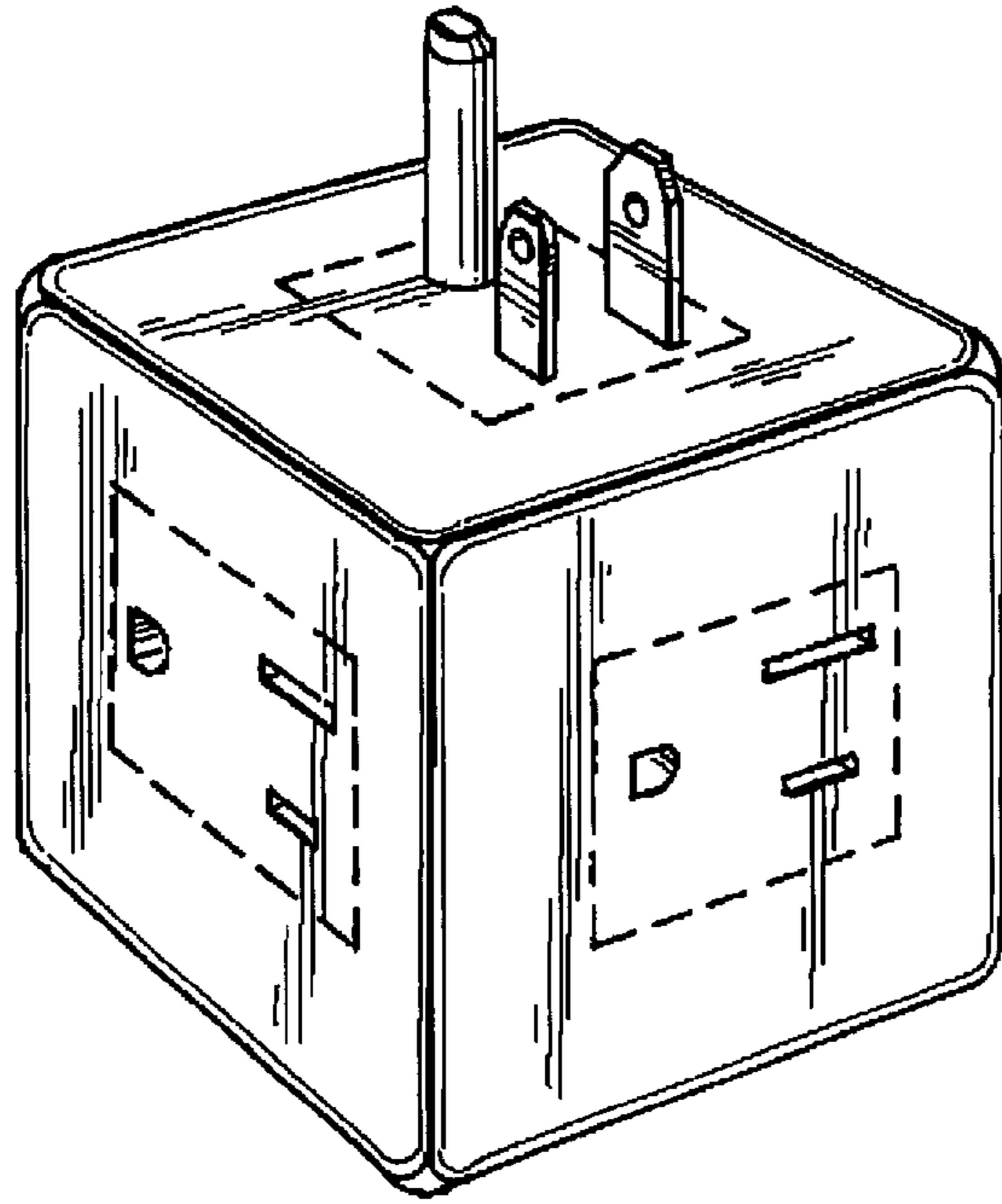


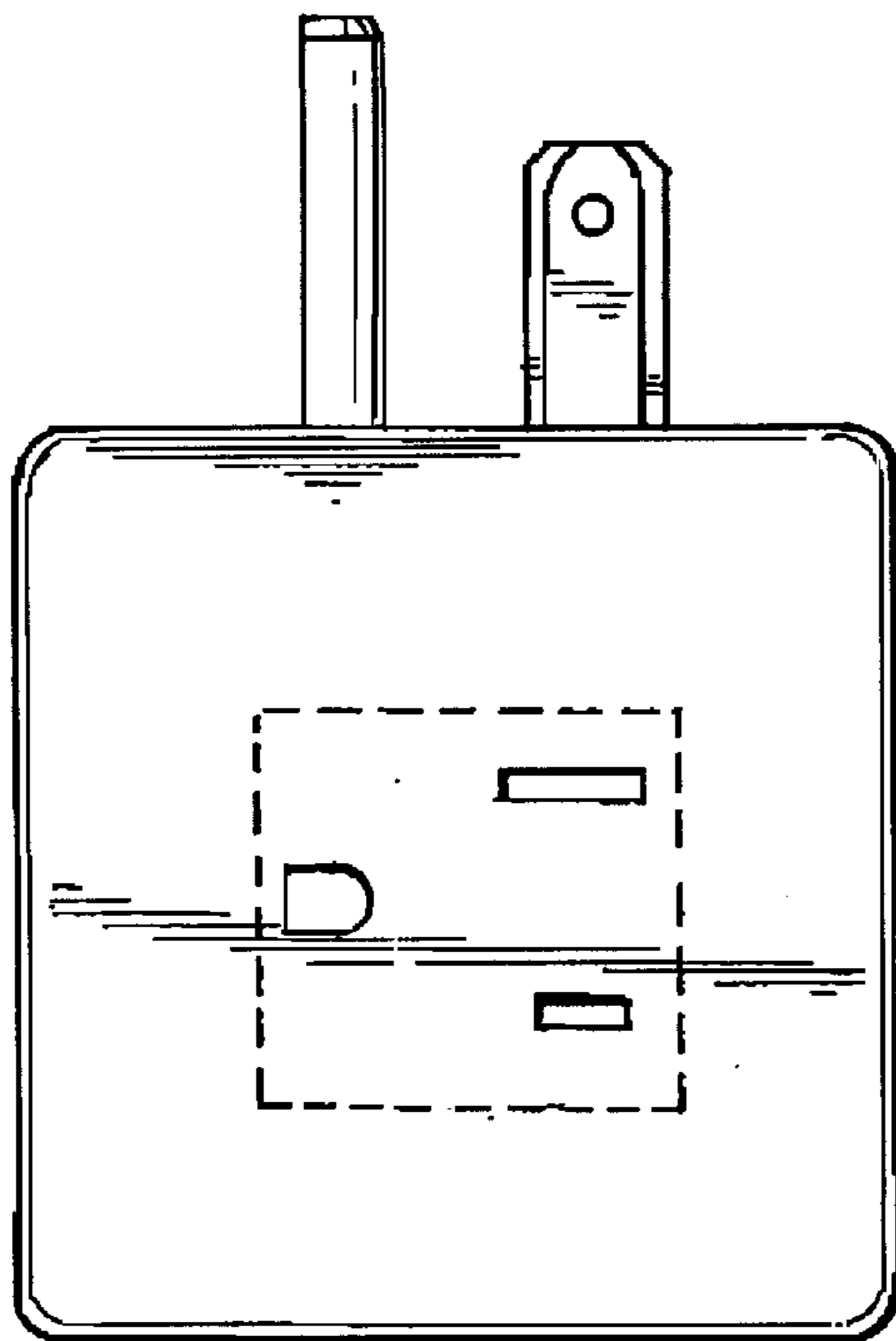
FIG. 6 is a rear elevation view of the electrical adapter shown in FIG. 1; and,  
FIG. 7 is a bottom plan view of the electrical adapter shown in FIG. 1.

The broken line showing is for illustrative purposes only and forms no part of the claimed design.

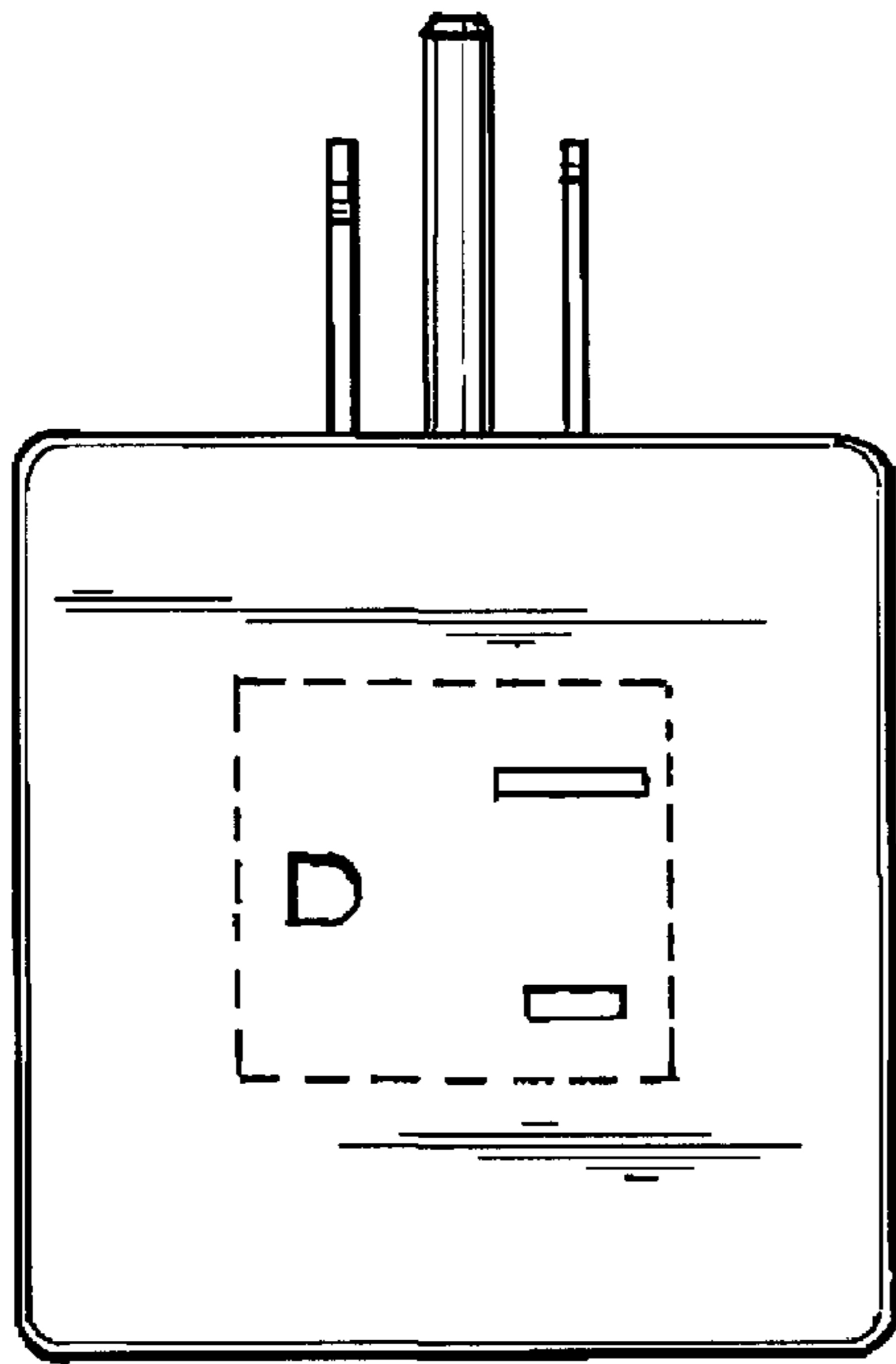
**1 Claim, 3 Drawing Sheets**



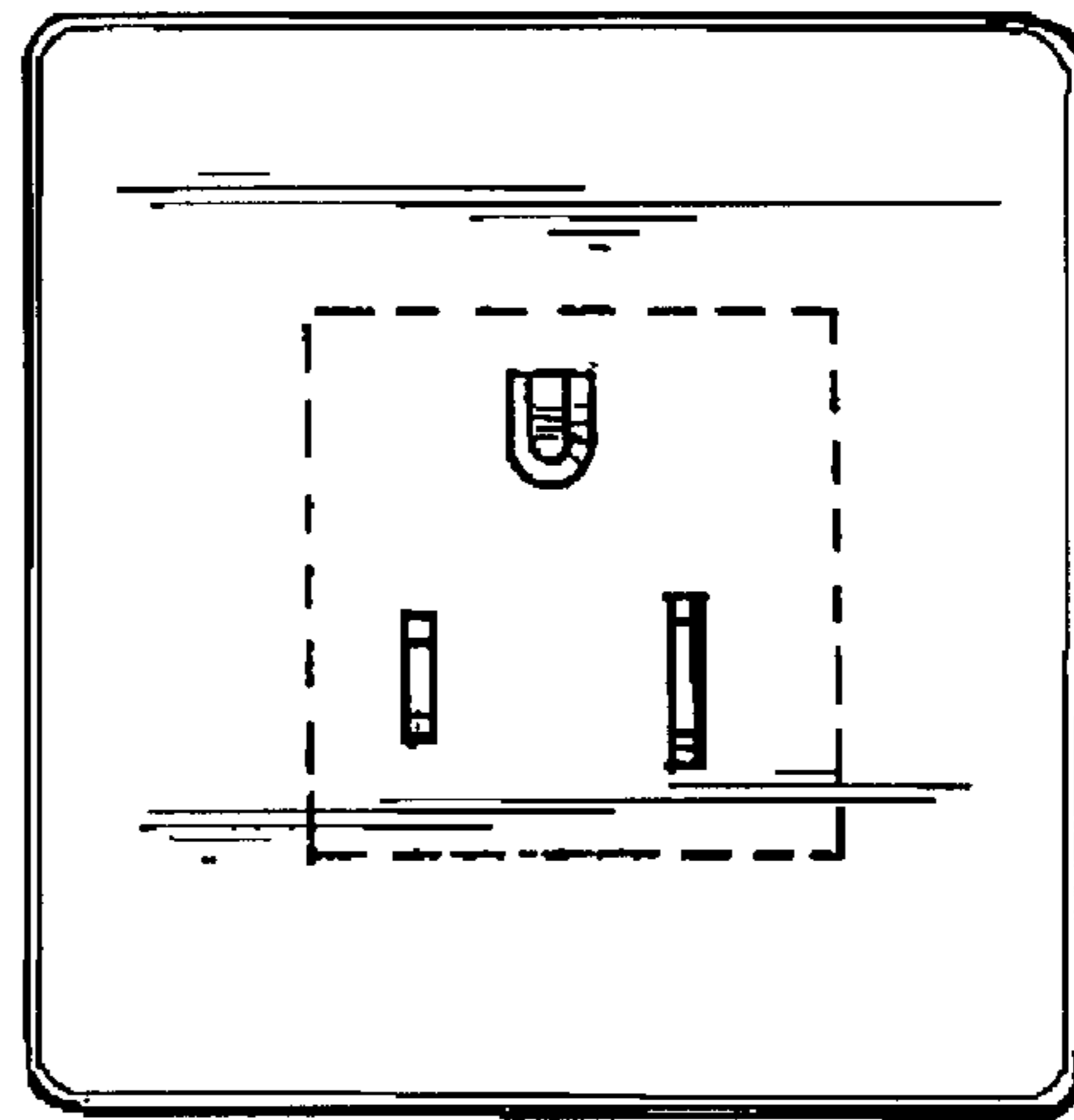
**FIG. 1**



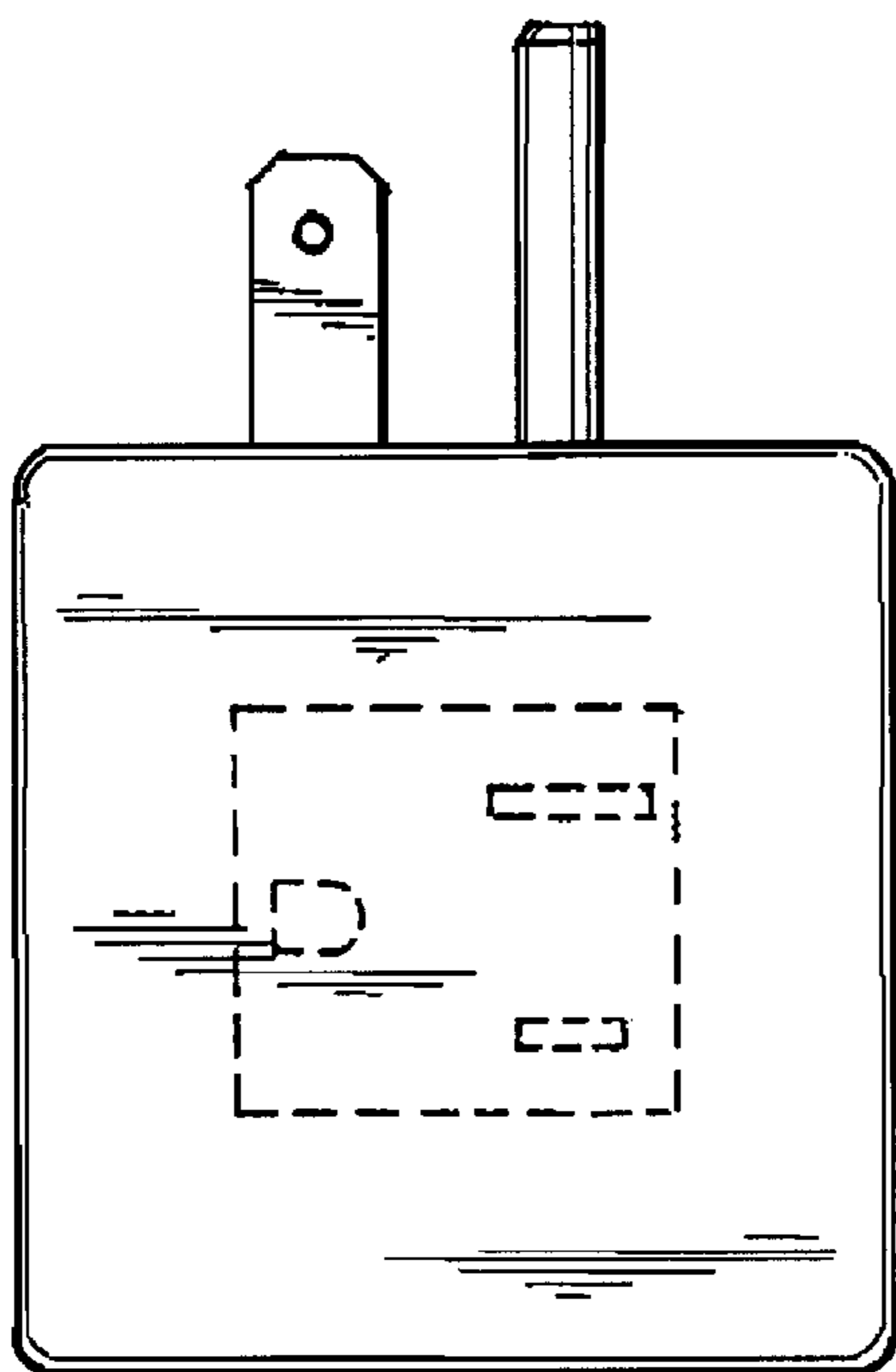
**FIG. 2**



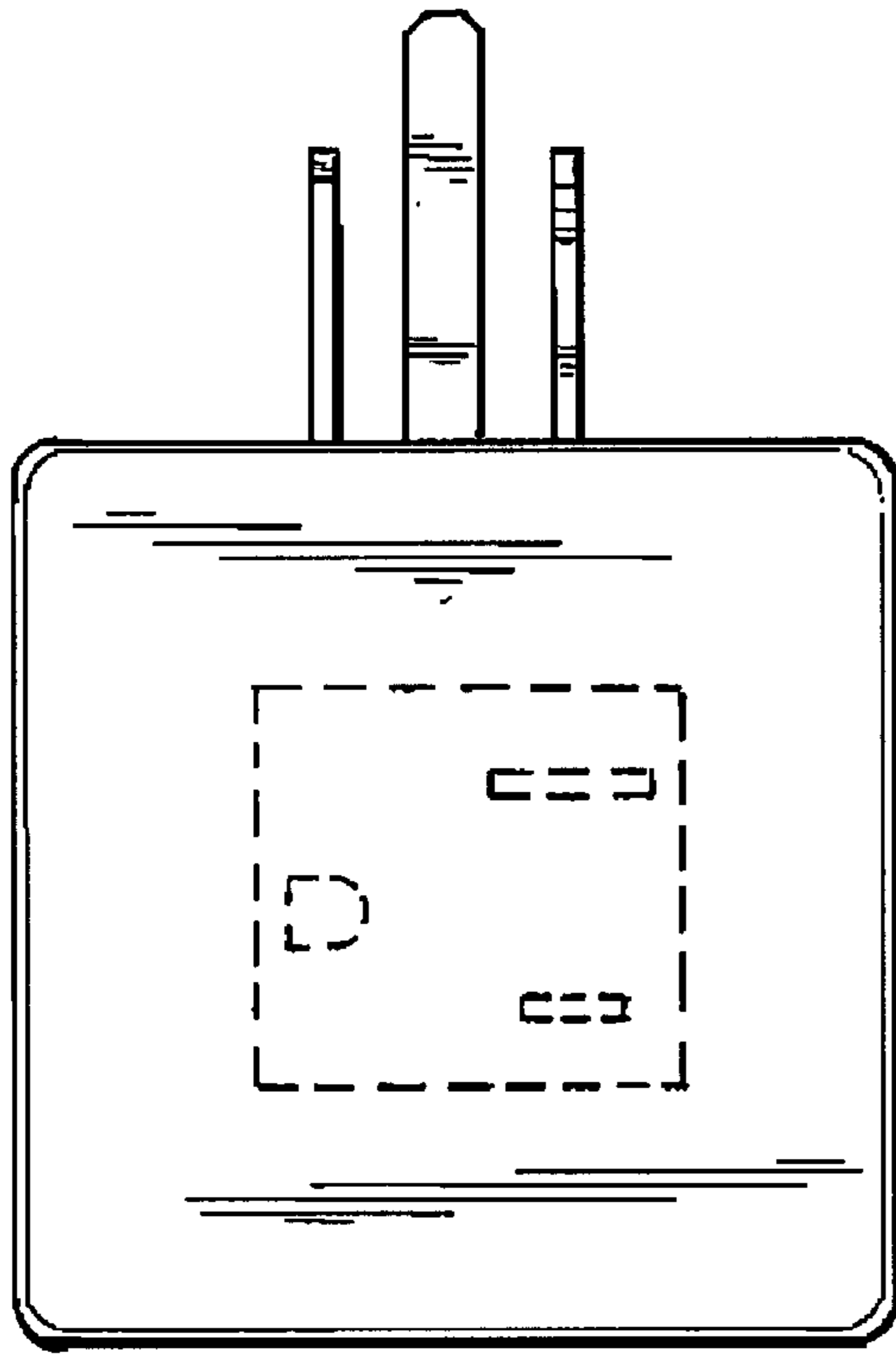
**FIG. 3**



**FIG. 4**



**FIG. 5**



**FIG. 6**

**FIG. 7**

