



US00D540254S

(12) **United States Design Patent**
Wolf

(10) **Patent No.:** **US D540,254 S**

(45) **Date of Patent:** **** Apr. 10, 2007**

(54) **MORCELLATOR MOTOR DRIVE**

2003/0149442 A1 * 8/2003 Gellman et al. 606/170

(75) Inventor: **Theo Wolf**, Senden (DE)

FOREIGN PATENT DOCUMENTS

(73) Assignee: **Karl Storz GmbH & Co. KG** (DE)

DE	199 16 144	A1	3/2000
EP	0 555 803	B1	2/1993
EP	0 806 183	A1	5/1997
WO	02/083006	A2	10/2002

(**) Term: **14 Years**

* cited by examiner

(21) Appl. No.: **29/225,313**

(22) Filed: **Mar. 14, 2005**

Primary Examiner—Prabhakar Deshmukh

Assistant Examiner—Derrick Holland

(30) **Foreign Application Priority Data**

Sep. 14, 2004 (EM) 000227202

(74) *Attorney, Agent, or Firm*—St. Onge Steward Johnston & Reens LLC

(51) **LOC (8) Cl.** **13-01**

(57) **CLAIM**

(52) **U.S. Cl.** **D13/112**

I claim the ornamental design for morcellator motor drive, as shown and described in the drawings.

(58) **Field of Classification Search** D13/112,
D13/1, 122, 199; D24/130, 146, 147; 310/40 R;
604/22; 606/46, 170, 175, 185

DESCRIPTION

See application file for complete search history.

FIG. 1 is a side perspective view of a morcellator motor drive in accordance with the new design;
FIG. 2 is a front view of the morcellator motor drive of FIG. 1;

(56) **References Cited**

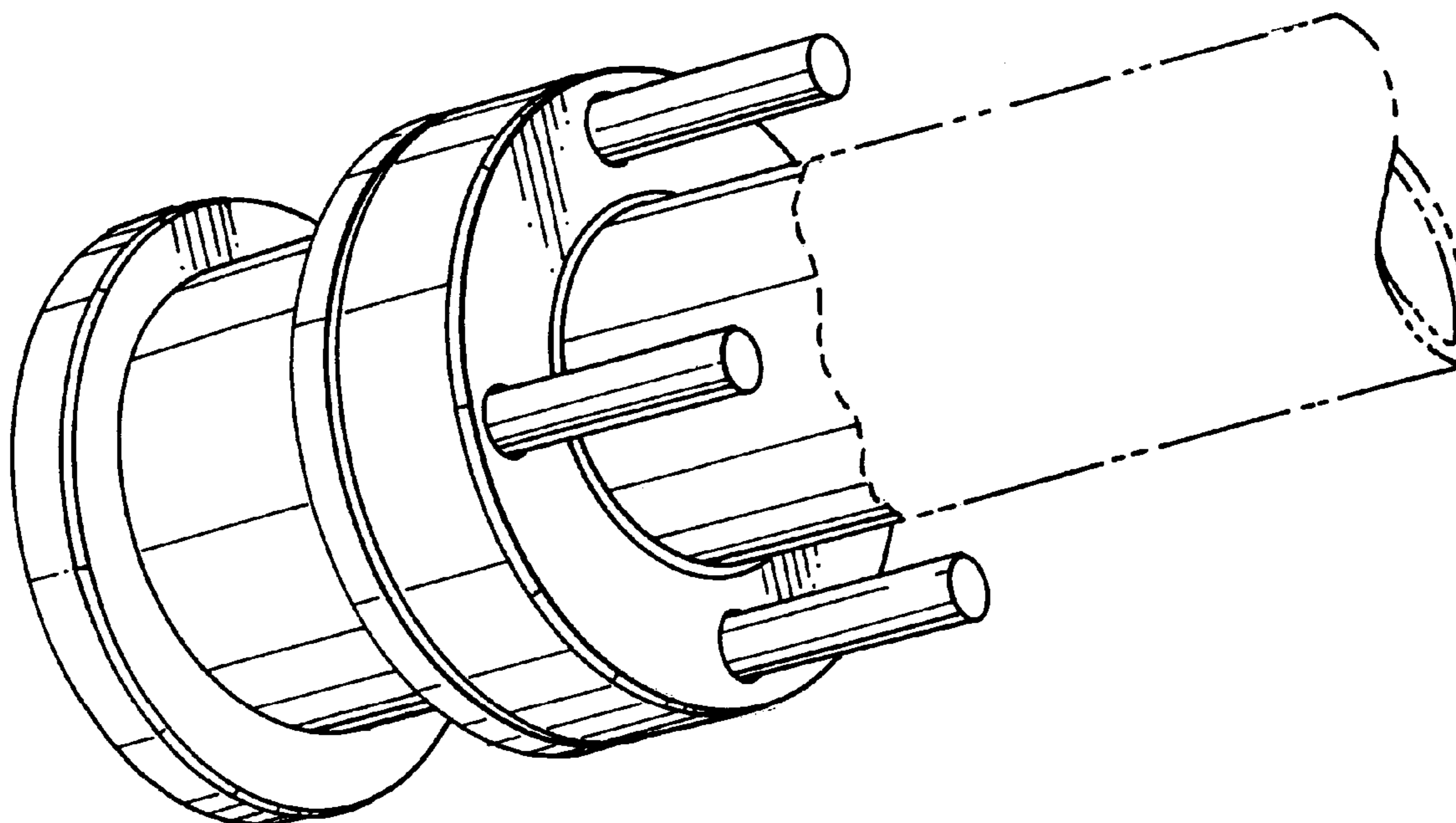
U.S. PATENT DOCUMENTS

D301,574	S	*	6/1989	Riggs	D13/112
D304,169	S	*	10/1989	Hoshino et al.	D13/112
5,123,904	A		6/1992	Shimomura et al.	604/22
5,197,964	A	*	3/1993	Parins	606/48
5,520,634	A	*	5/1996	Fox et al.	604/22
5,569,284	A	*	10/1996	Young et al.	606/180
5,618,296	A	*	4/1997	Sorensen et al.	606/180
D409,564	S	*	5/1999	Koshida	D13/112
6,039,748	A	*	3/2000	Savage et al.	606/180
6,638,238	B1		10/2003	Weber et al.	604/22
2002/0035372	A1	*	3/2002	Zisterer et al.	606/180

FIG. 3 is a side perspective view of the morcellator motor drive of FIG. 1, shown with morcellator;
FIG. 4 is a side perspective view of the morcellator motor drive of FIG. 1, shown in use; and,
FIG. 5 is a perspective view of the morellator motor drive of FIG. 1 shown in use.

The broken lines showing are for illustrative purposes and form no part of the claimed design.

1 Claim, 3 Drawing Sheets



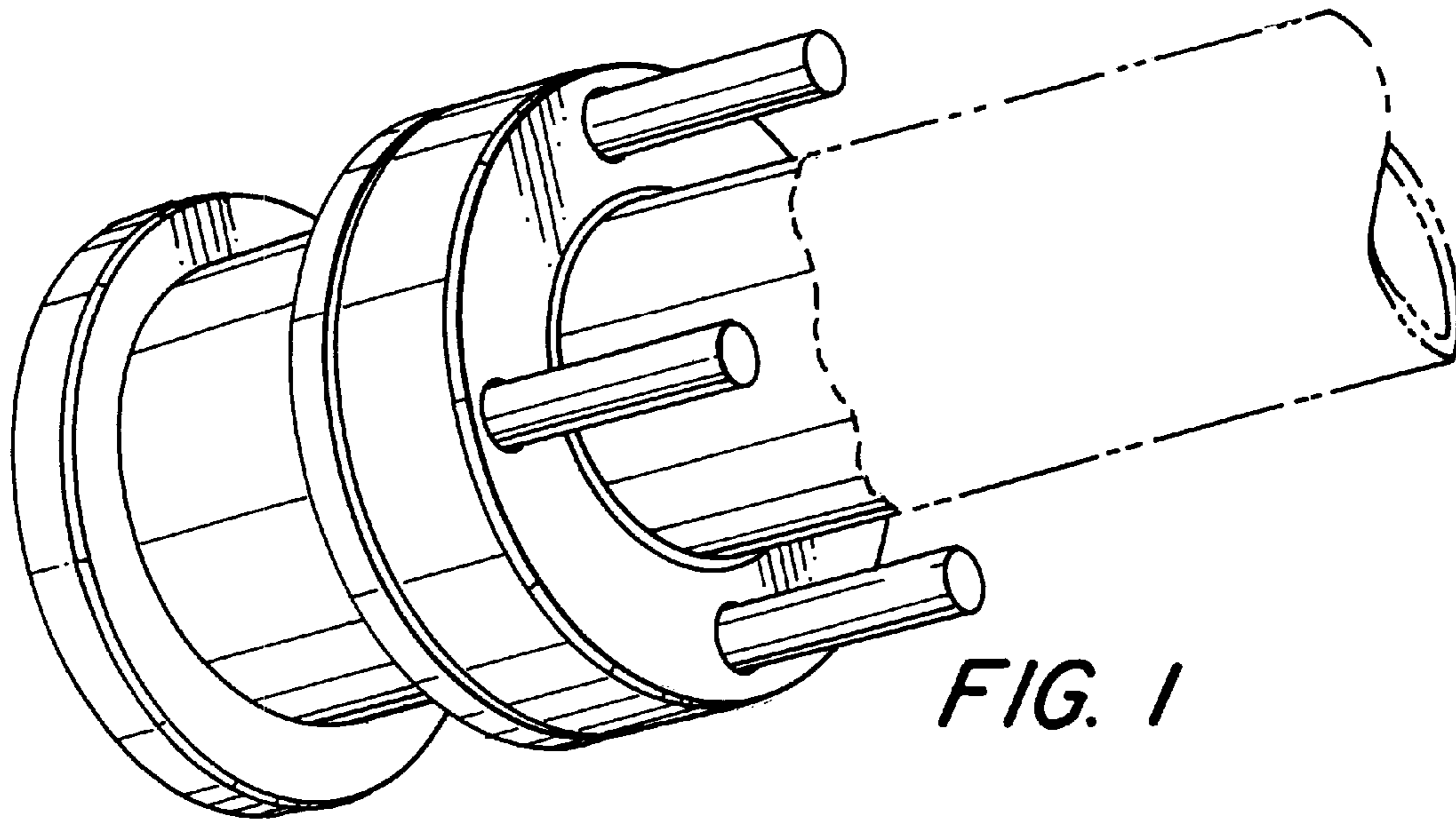


FIG. 1

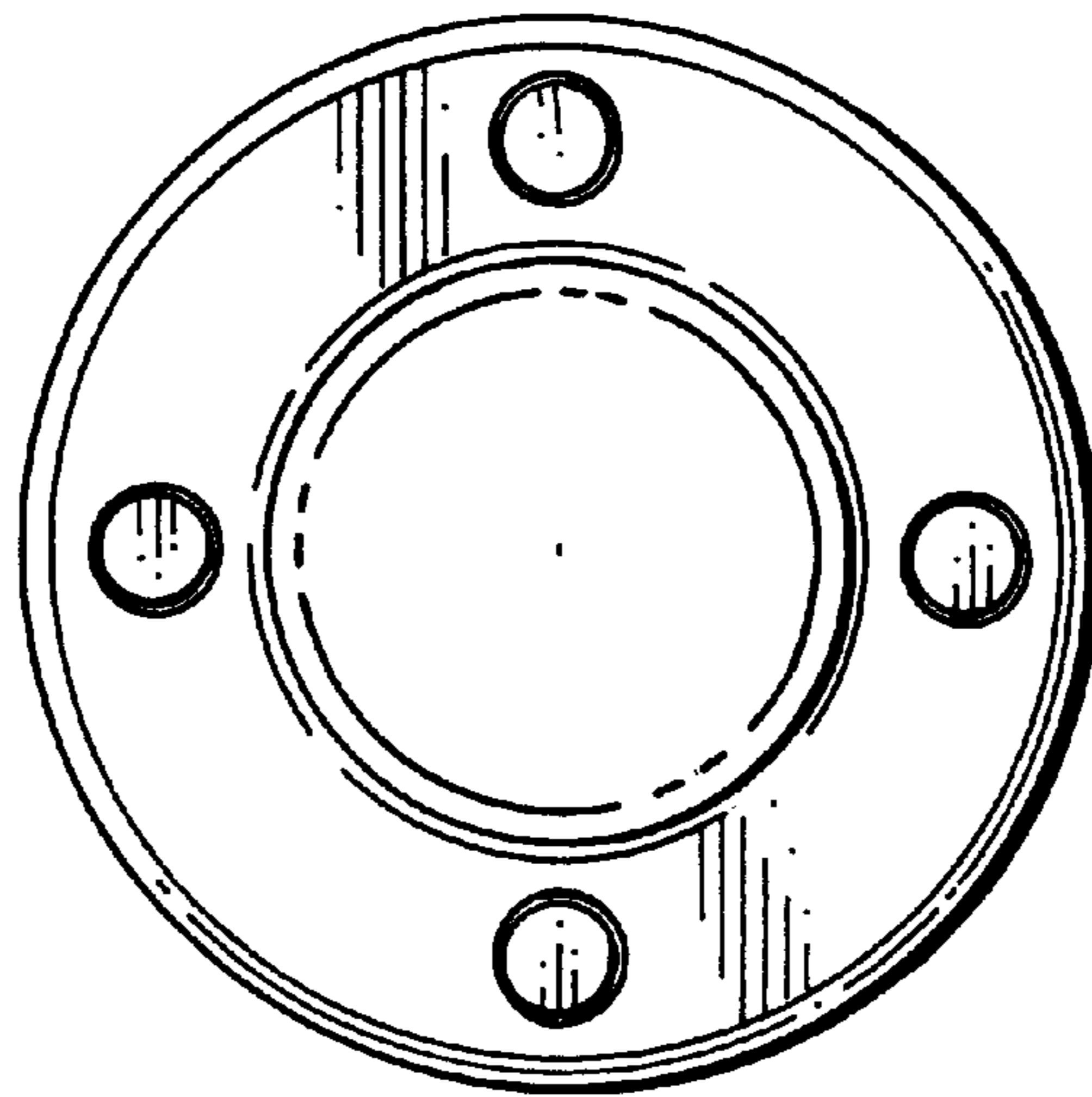


FIG. 2

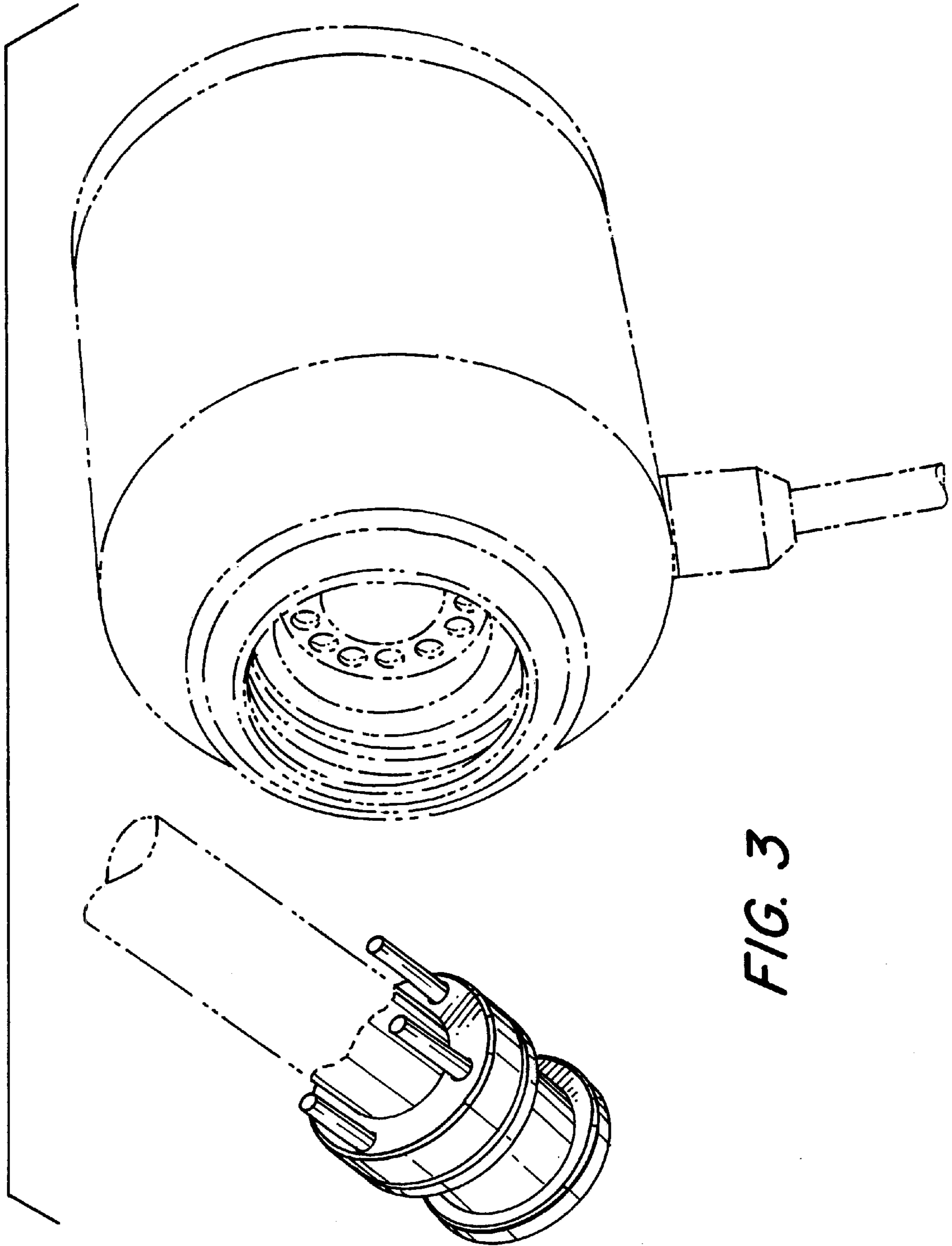


FIG. 3

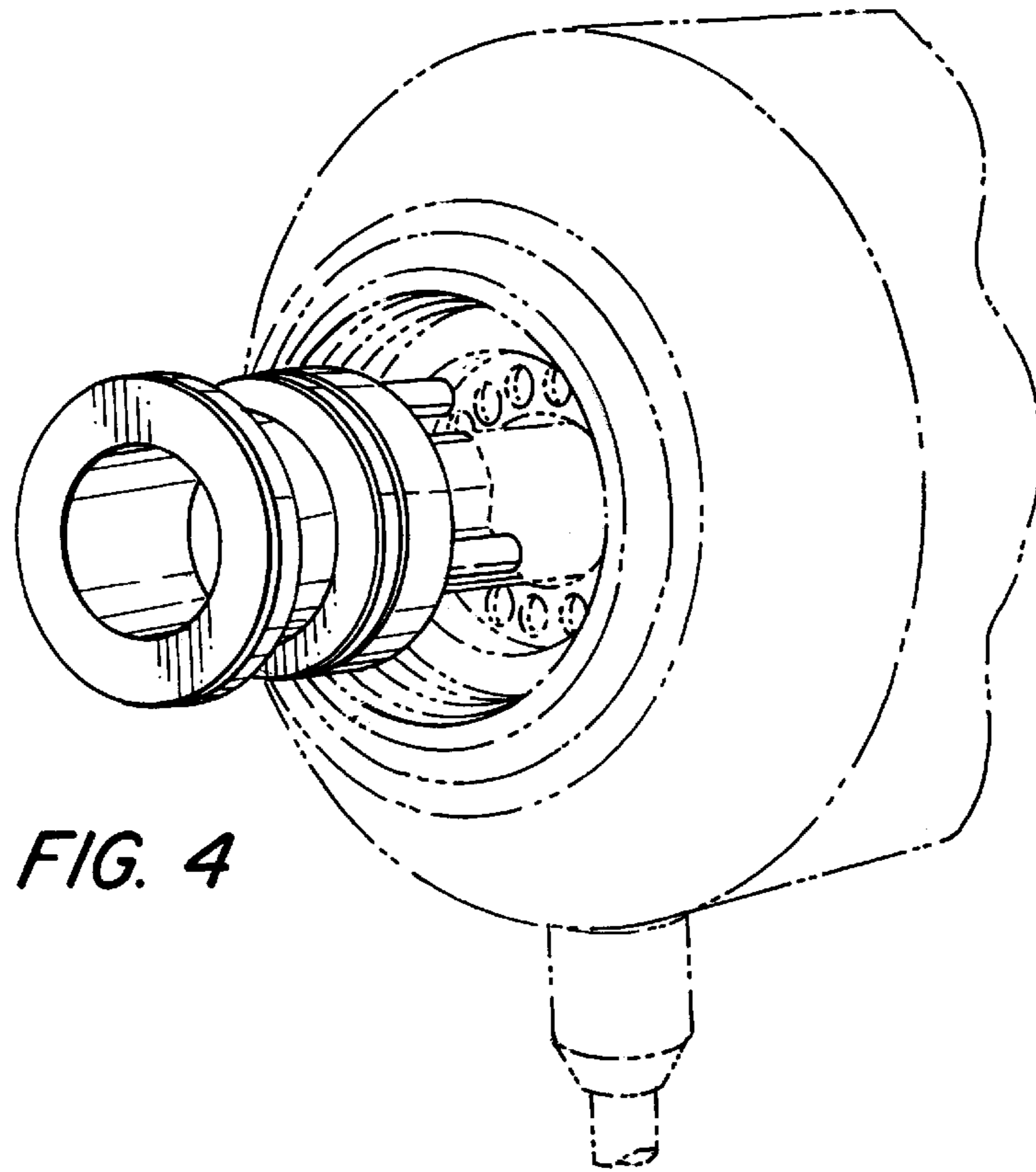


FIG. 4

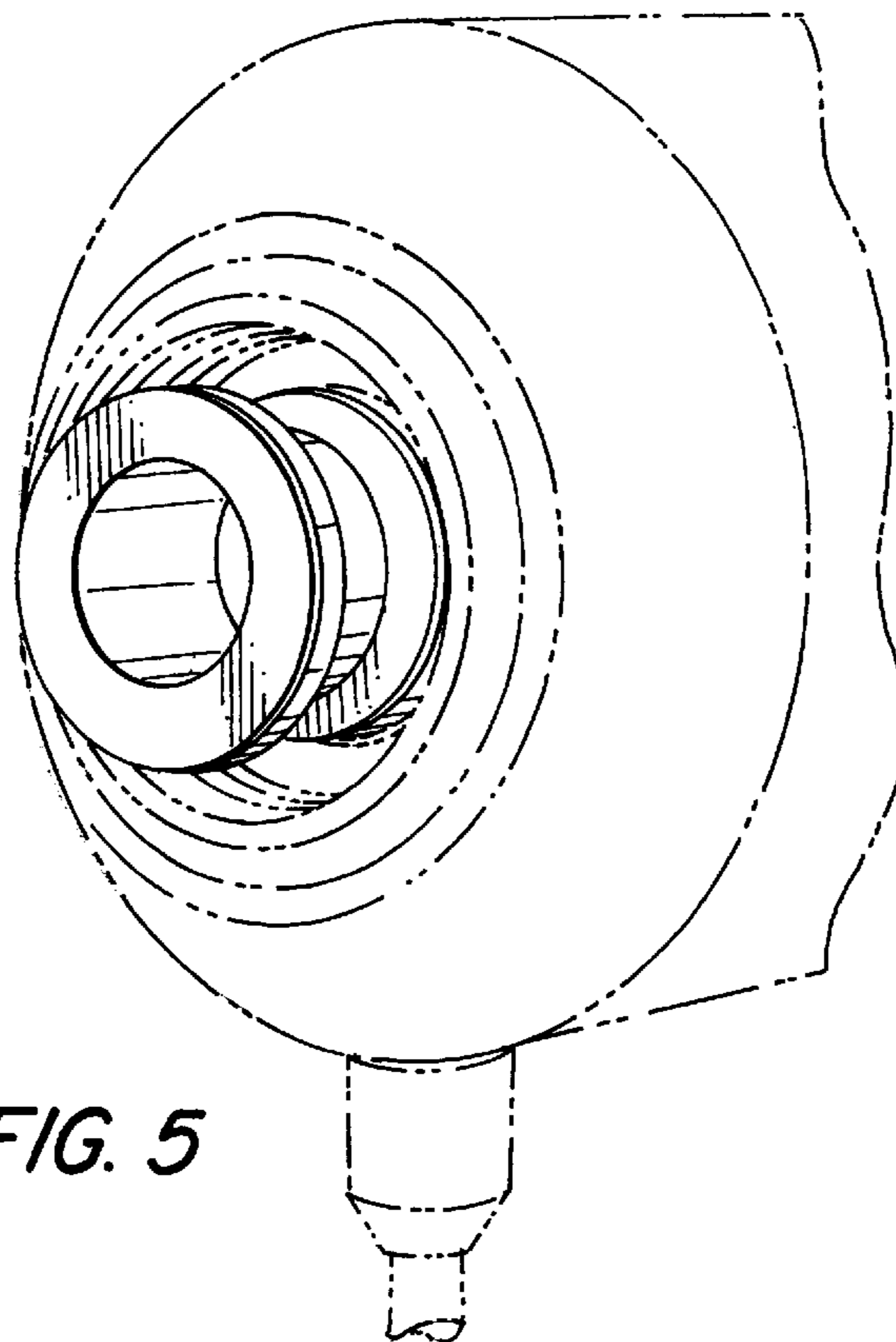


FIG. 5