



US00D540253S

(12) **United States Design Patent**
Tsai et al.

(10) **Patent No.:** **US D540,253 S**

(45) **Date of Patent:** **** Apr. 10, 2007**

(54) **INVERTER**

(75) Inventors: **Chih-Chung Tsai**, Taoyuan Hsien
(TW); **Hsiu-Ling Cho**, Taoyuan Hsien
(TW)

(73) Assignee: **Delta Electronics, Inc.**, Taoyuan (TW)

(**) Term: **14 Years**

(21) Appl. No.: **29/243,606**

(22) Filed: **Nov. 29, 2005**

(51) **LOC (8) Cl.** **13-02**

(52) **U.S. Cl.** **D13/110**

(58) **Field of Classification Search** D13/110,
D13/101, 112, 122, 123, 184, 199; 307/150-152;
361/622, 702, 703, 809; 363/141
See application file for complete search history.

(56) **References Cited**

U.S. PATENT DOCUMENTS

- D303,370 S * 9/1989 Kondo et al. D13/110
- 5,170,336 A * 12/1992 Getter et al. 363/141
- D358,753 S * 5/1995 Yoshida et al. D13/123

- 5,497,289 A * 3/1996 Sugishima et al. 361/709
- D455,121 S * 4/2002 Takeuchi et al. D13/110
- D455,399 S * 4/2002 Imamura et al. D13/110
- D455,714 S * 4/2002 Kim D13/110
- D457,492 S * 5/2002 Kim D13/110

* cited by examiner

Primary Examiner—Prabhakar Deshmukh

Assistant Examiner—Derrick Holland

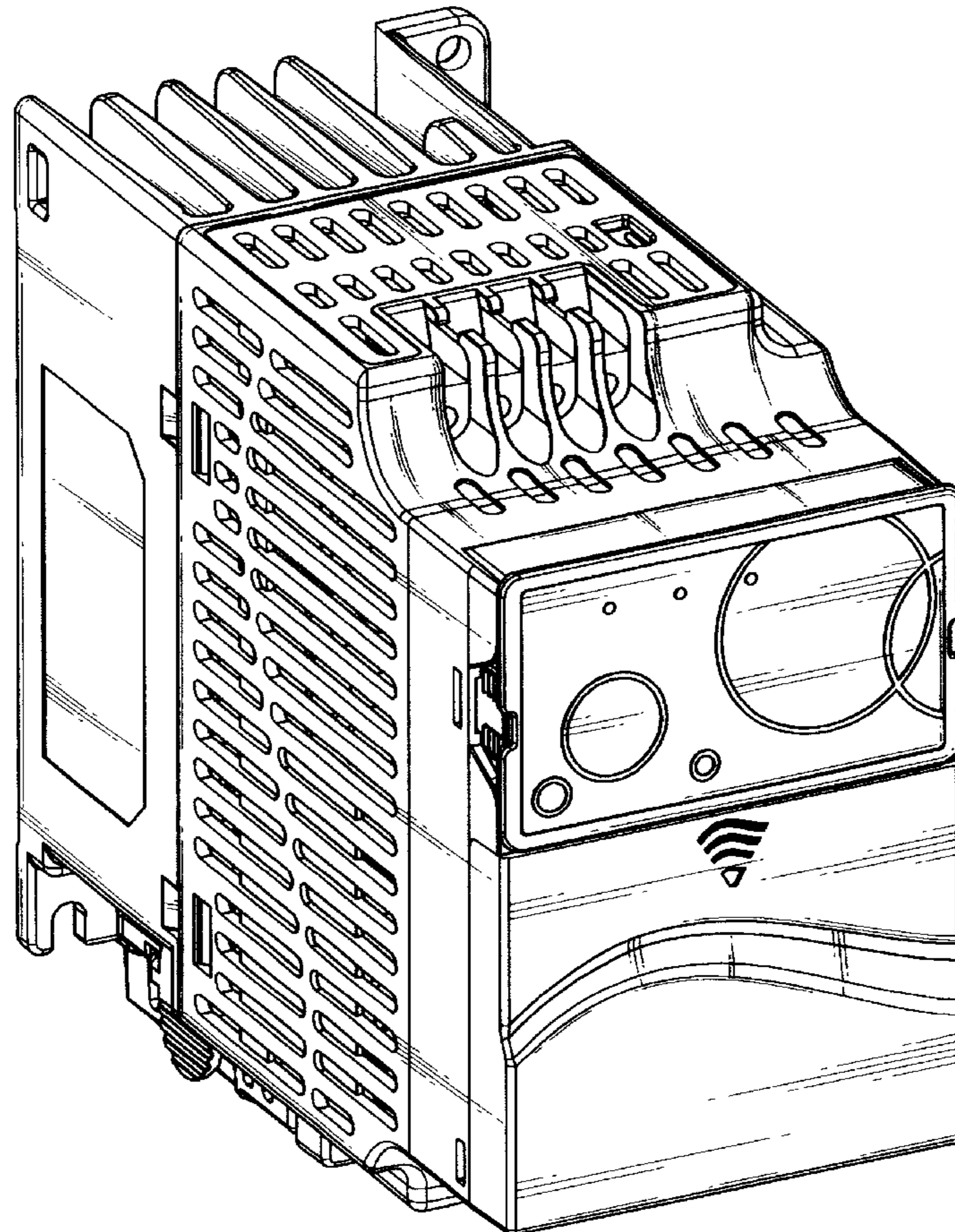
(57) **CLAIM**

The ornamental design for an inverter, as shown and described.

DESCRIPTION

FIG. 1 is a perspective view of an inverter showing my new design;
 FIG. 2 is a front view thereof;
 FIG. 3 is a rear view thereof;
 FIG. 4 is a left side view thereof;
 FIG. 5 is a right side view thereof;
 FIG. 6 is a top view thereof; and,
 FIG. 7 is a bottom view thereof.

1 Claim, 7 Drawing Sheets



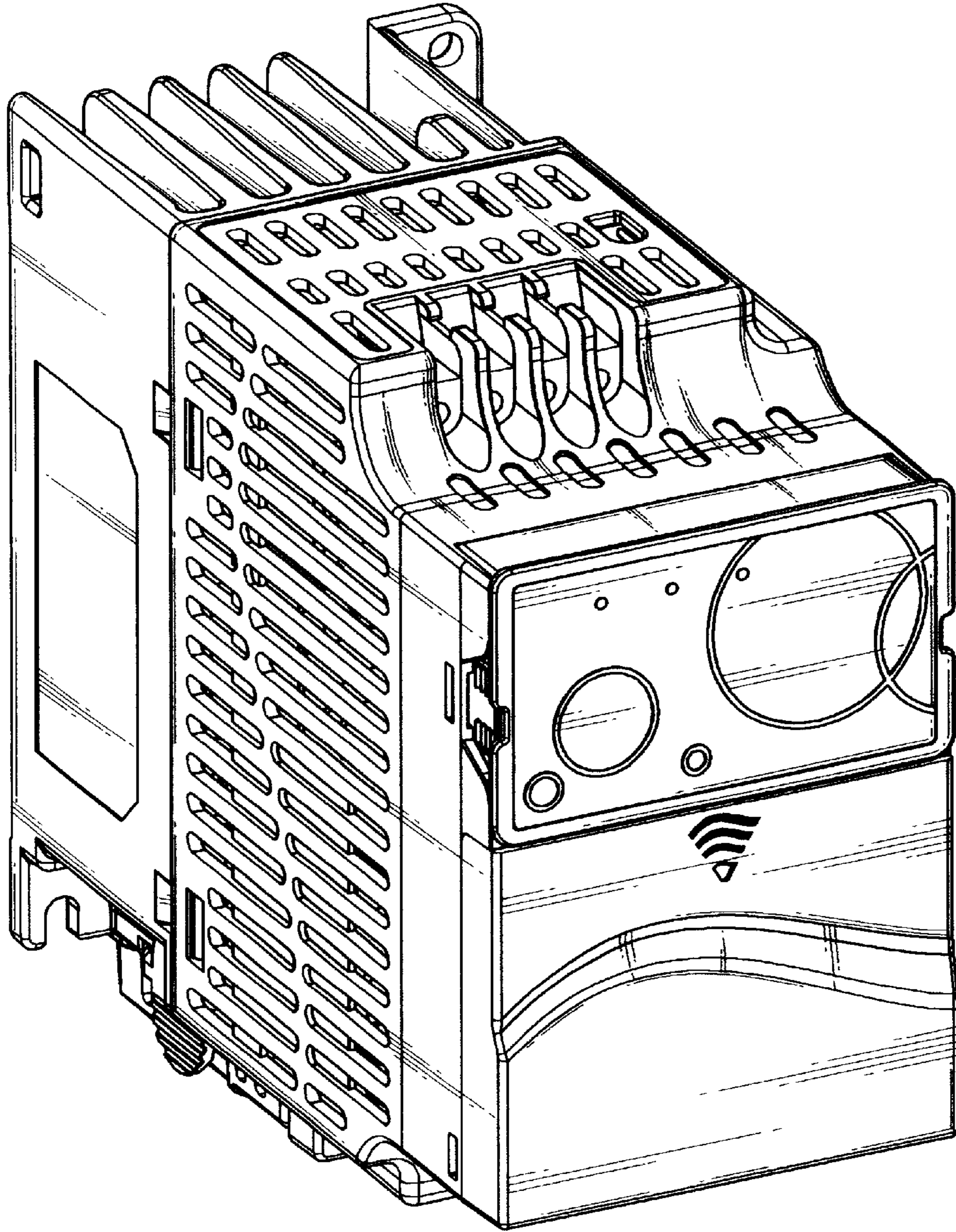


FIG. 1

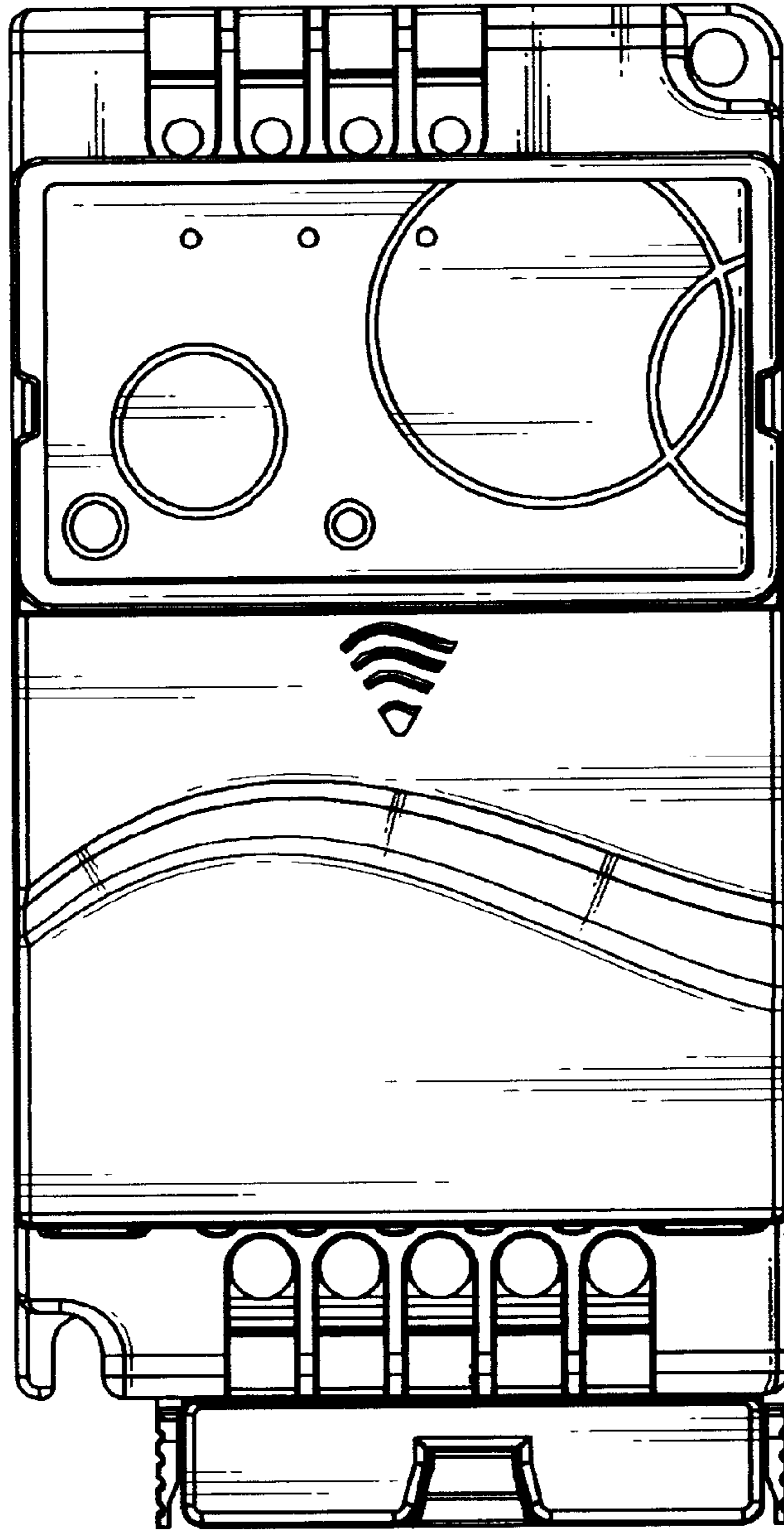


FIG. 2

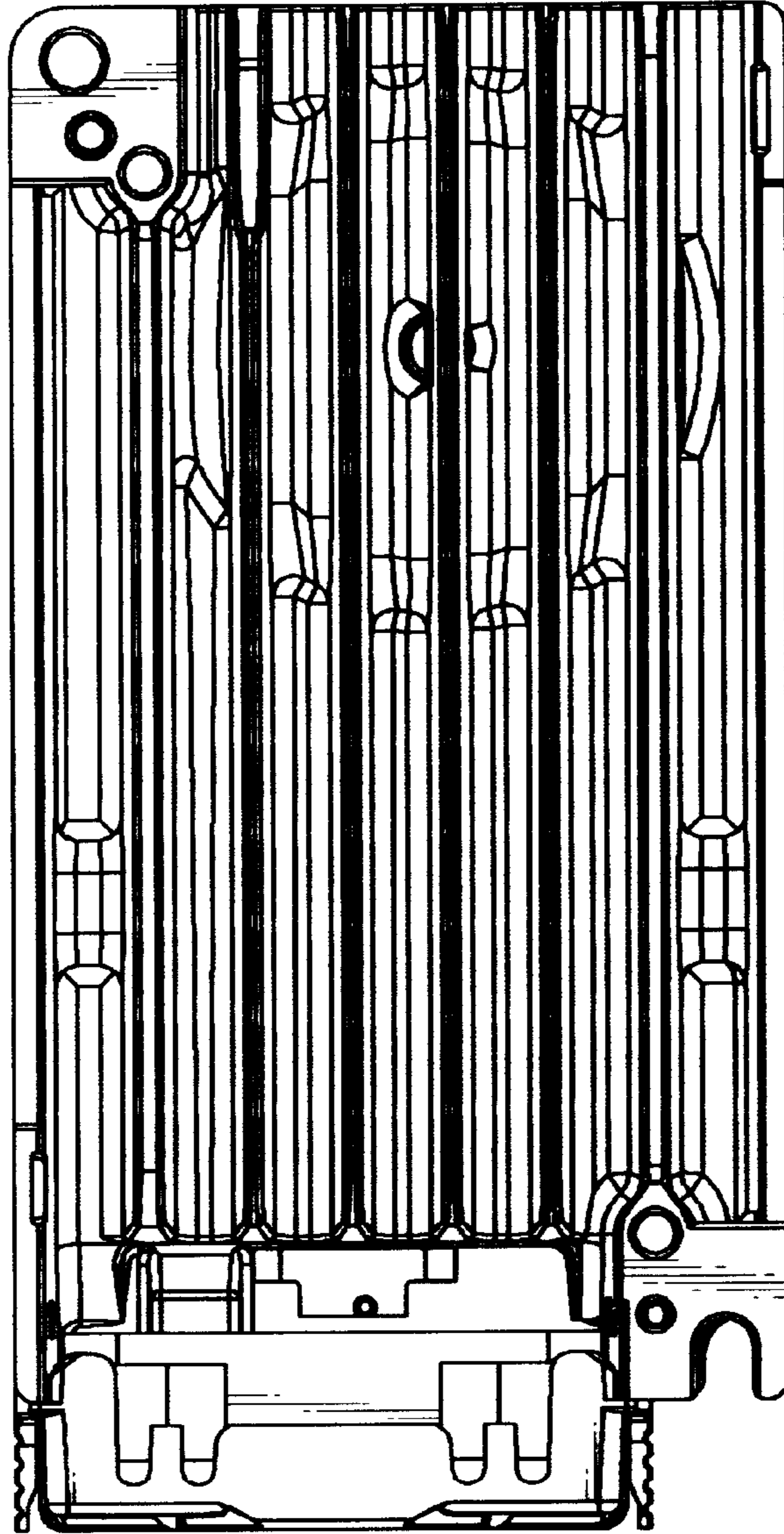


FIG. 3

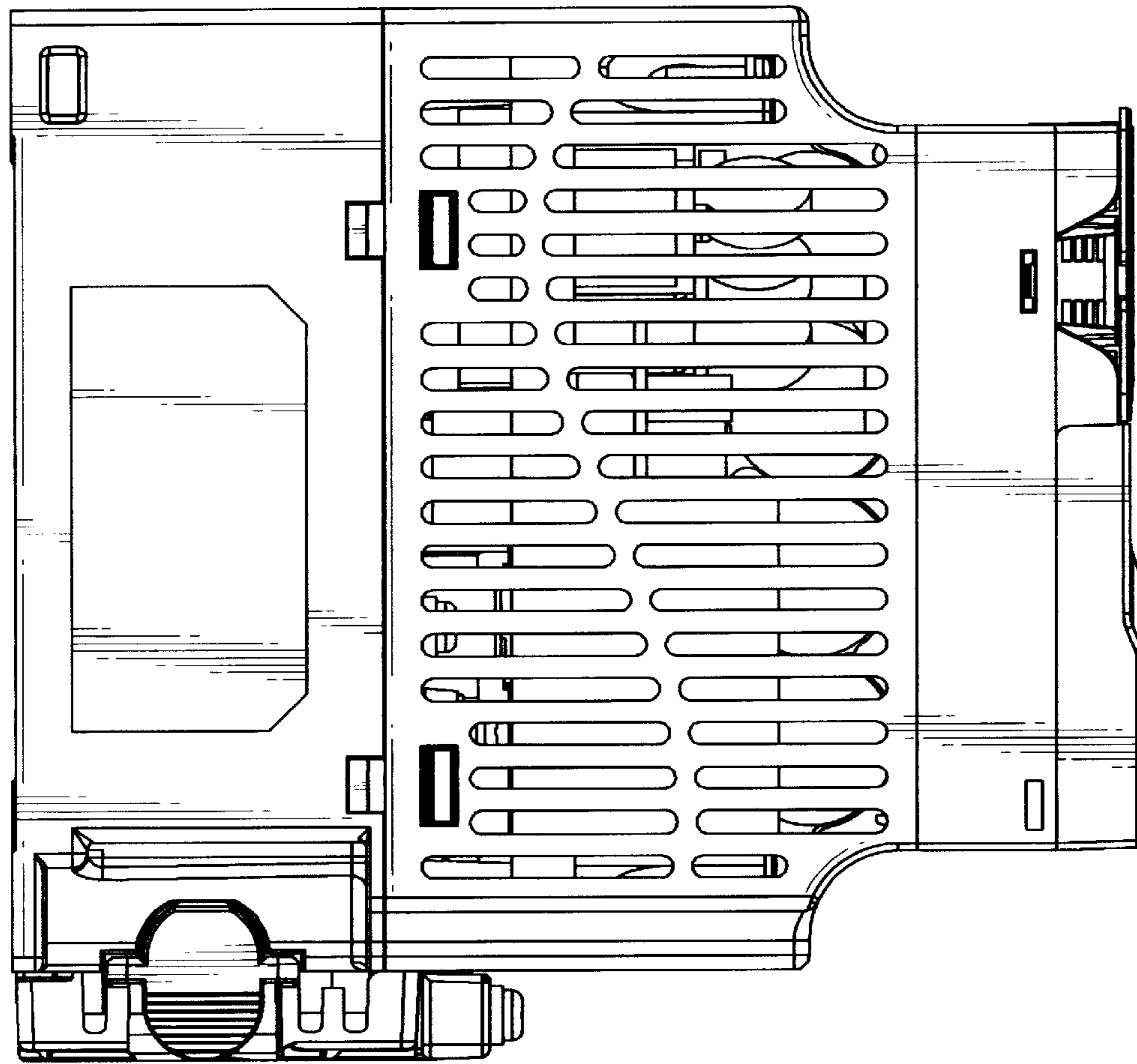


FIG. 4

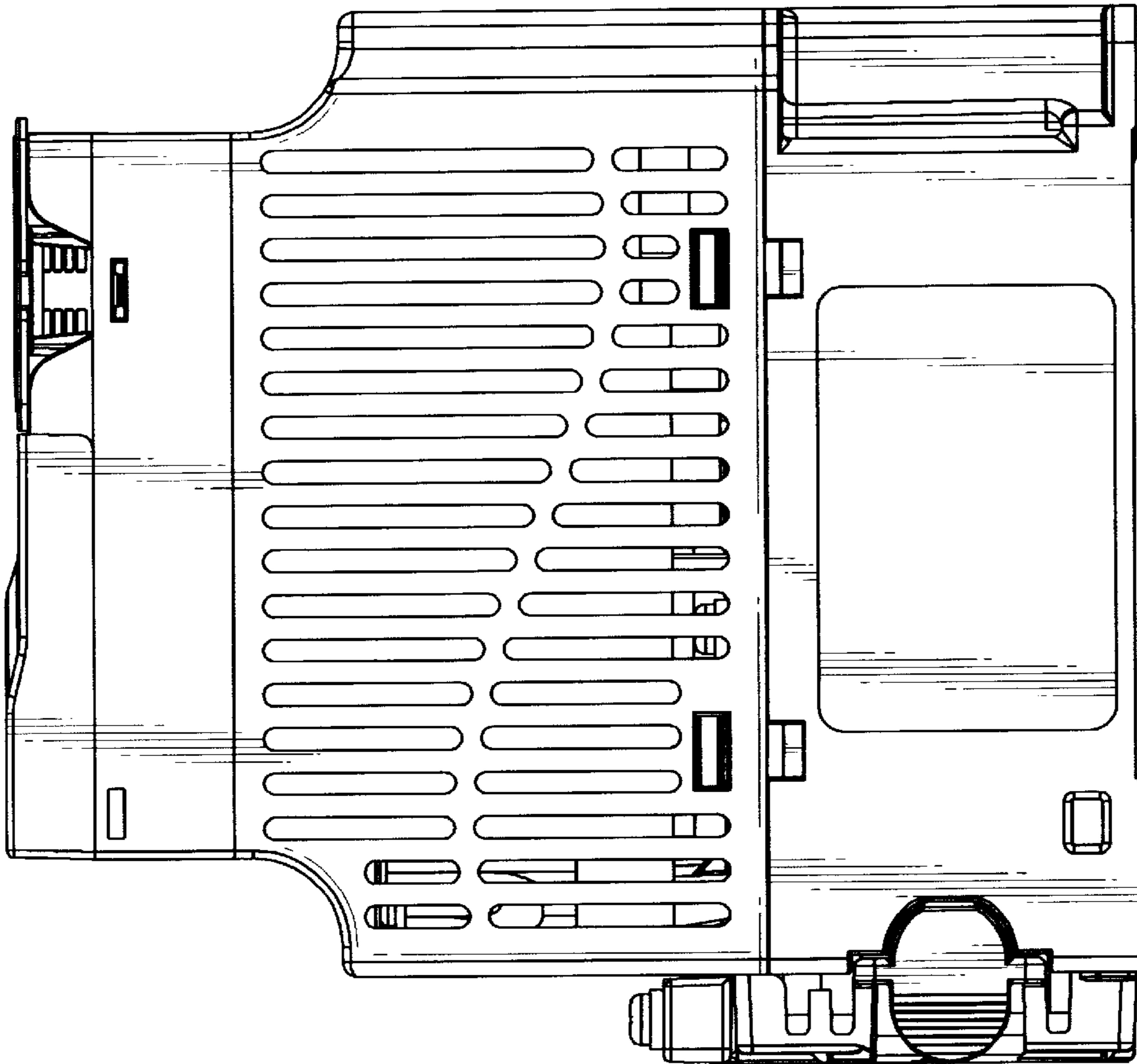


FIG. 5

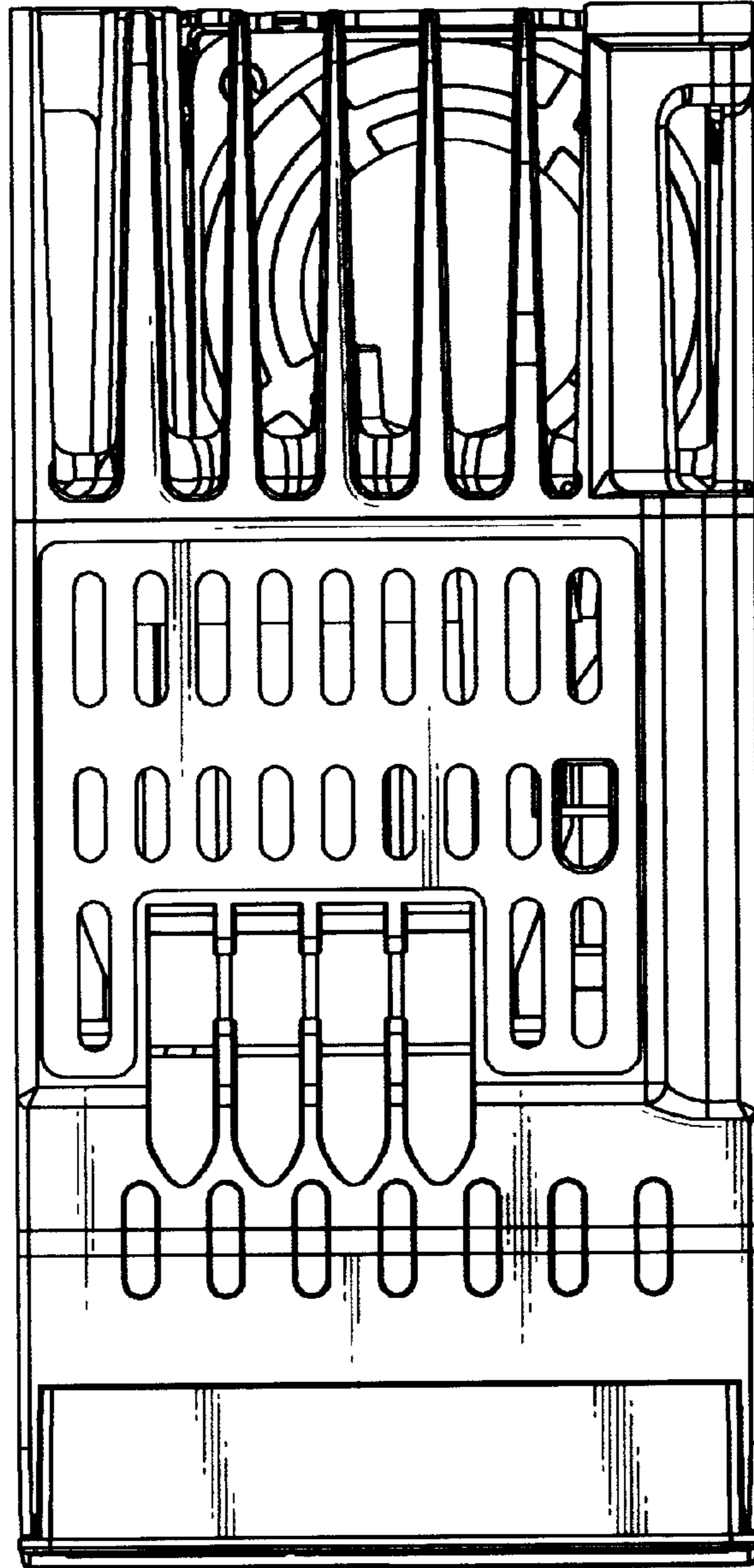


FIG. 6

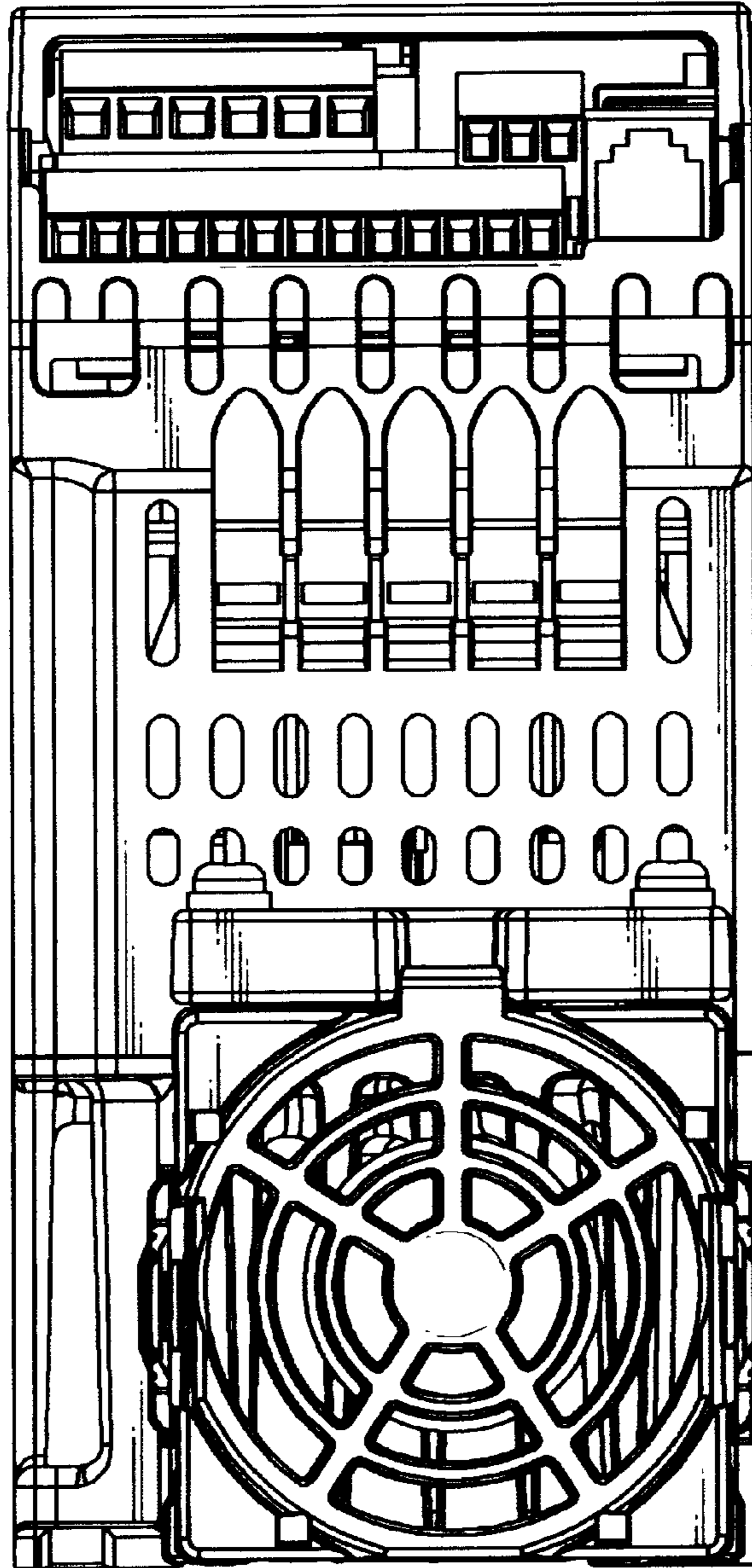


FIG. 7