



US00D540252S

(12) **United States Design Patent**  
**Hsien et al.**

(10) **Patent No.:** **US D540,252 S**

(45) **Date of Patent:** **\*\* Apr. 10, 2007**

(54) **INVERTER**

(75) Inventors: **Ting-Yi Hsien**, Taoyuan Hsien (TW);  
**Hsiu-Ling Cho**, Taoyuan Hsien (TW)

(73) Assignee: **Delta Electronics, Inc.**, Taoyuan (TW)

(\*\*) Term: **14 Years**

(21) Appl. No.: **29/243,605**

(22) Filed: **Nov. 29, 2005**

(51) **LOC (8) Cl.** ..... **13-02**

(52) **U.S. Cl.** ..... **D13/110**

(58) **Field of Classification Search** ..... D13/110,  
D13/101, 112, 122, 123, 184, 199; 307/150-152;  
361/622, 702, 703, 809; 363/141  
See application file for complete search history.

(56) **References Cited**

**U.S. PATENT DOCUMENTS**

D303,370 S \* 9/1989 Kondo et al. .... D13/110  
5,170,336 A \* 12/1992 Getter et al. .... 363/141  
D358,753 S \* 5/1995 Yoshida et al. .... D13/123

5,497,289 A \* 3/1996 Sugishima et al. .... 361/709  
D455,121 S \* 4/2002 Takeuchi et al. .... D13/110  
D455,399 S \* 4/2002 Imamura et al. .... D13/110  
D455,714 S \* 4/2002 Kim ..... D13/110  
D457,492 S \* 5/2002 Kim ..... D13/110

\* cited by examiner

*Primary Examiner*—Prabhakar Deshmukh

*Assistant Examiner*—Derrick Holland

(57) **CLAIM**

The ornamental design for an inverter, as shown and described.

**DESCRIPTION**

FIG. 1 is a perspective view of an inverter showing my new design;

FIG. 2 is a front view thereof;

FIG. 3 is a rear view thereof;

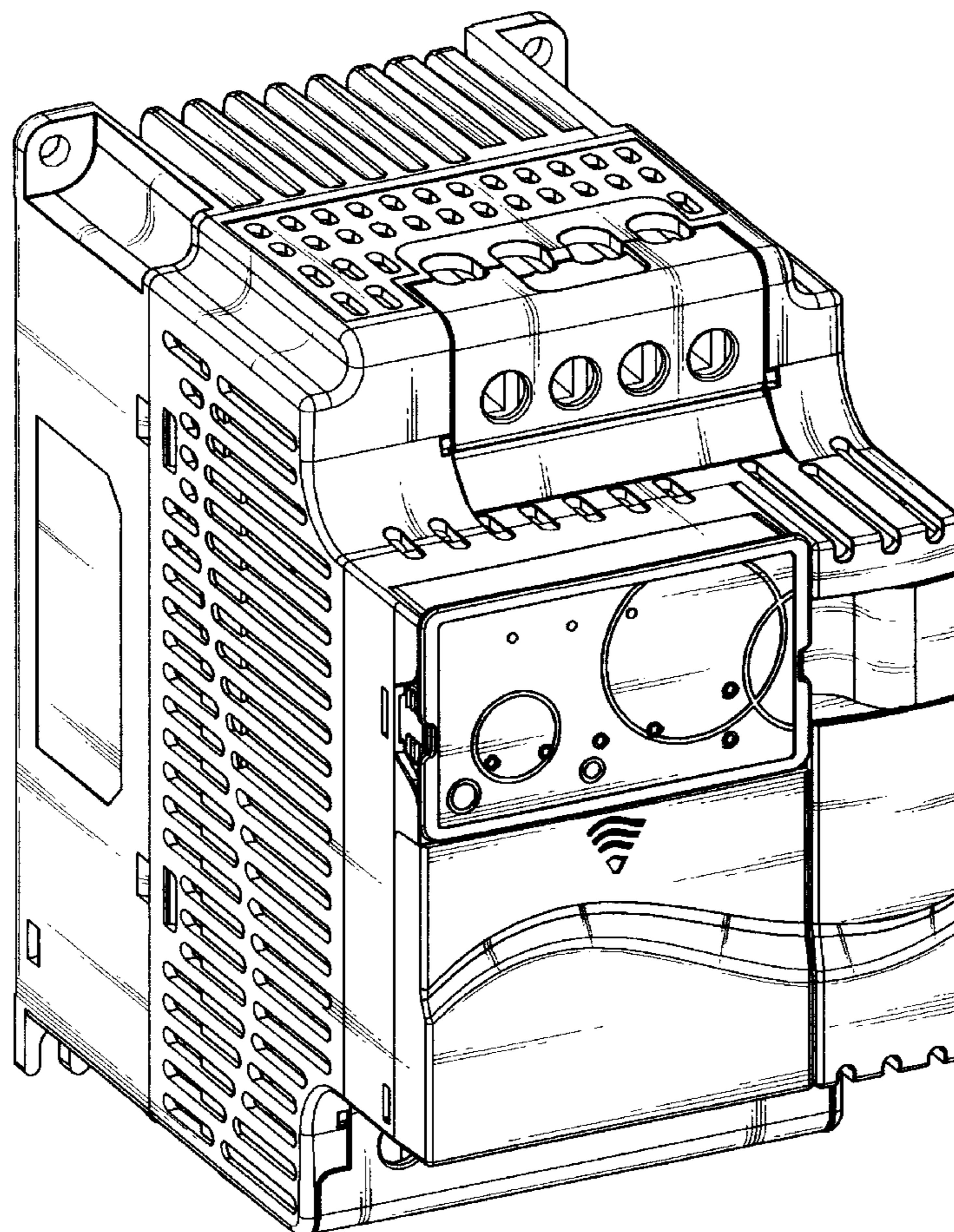
FIG. 4 is a left side view thereof;

FIG. 5 is a right side view thereof;

FIG. 6 is a top view thereof; and,

FIG. 7 is a bottom view thereof.

**1 Claim, 7 Drawing Sheets**



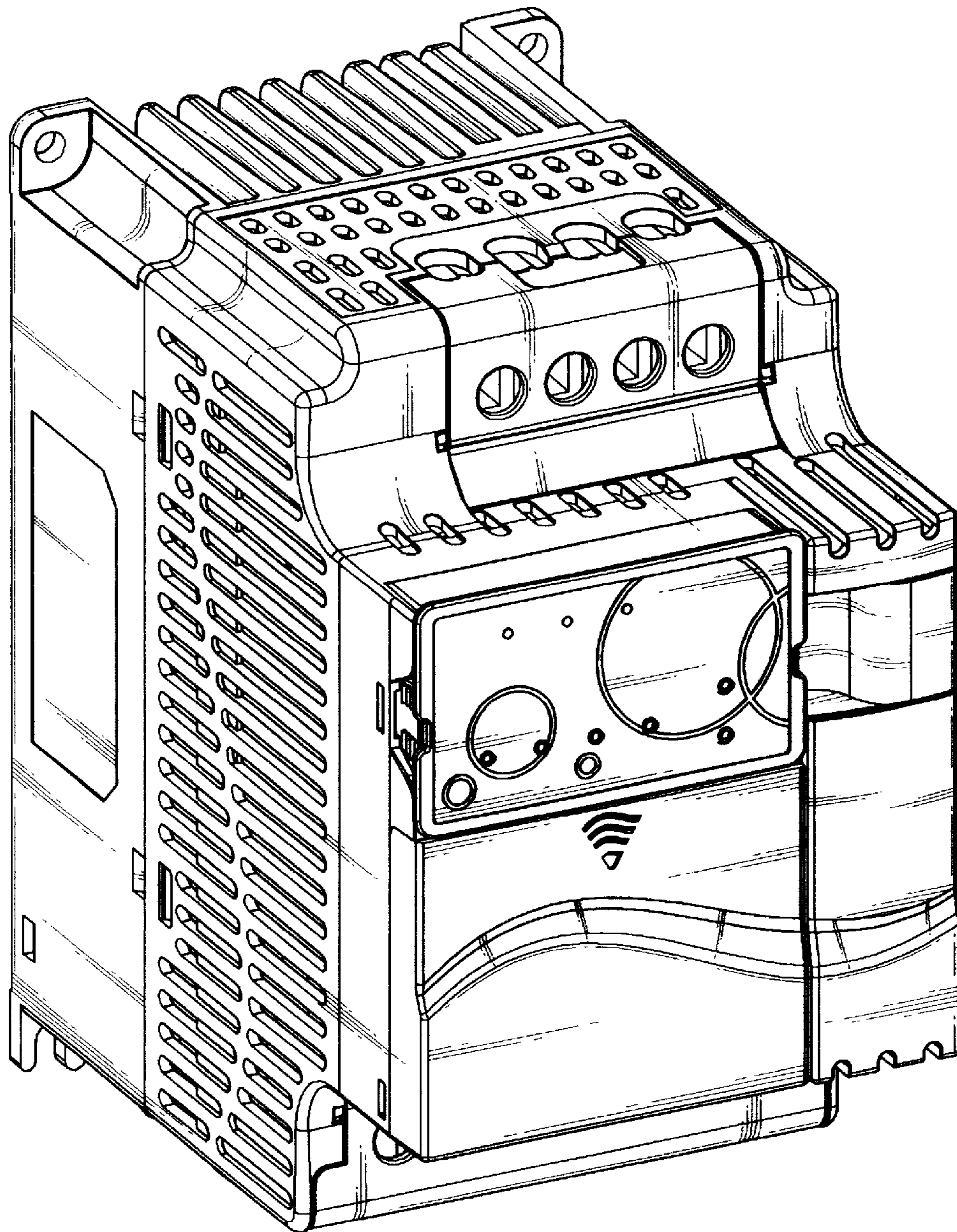


FIG. 1

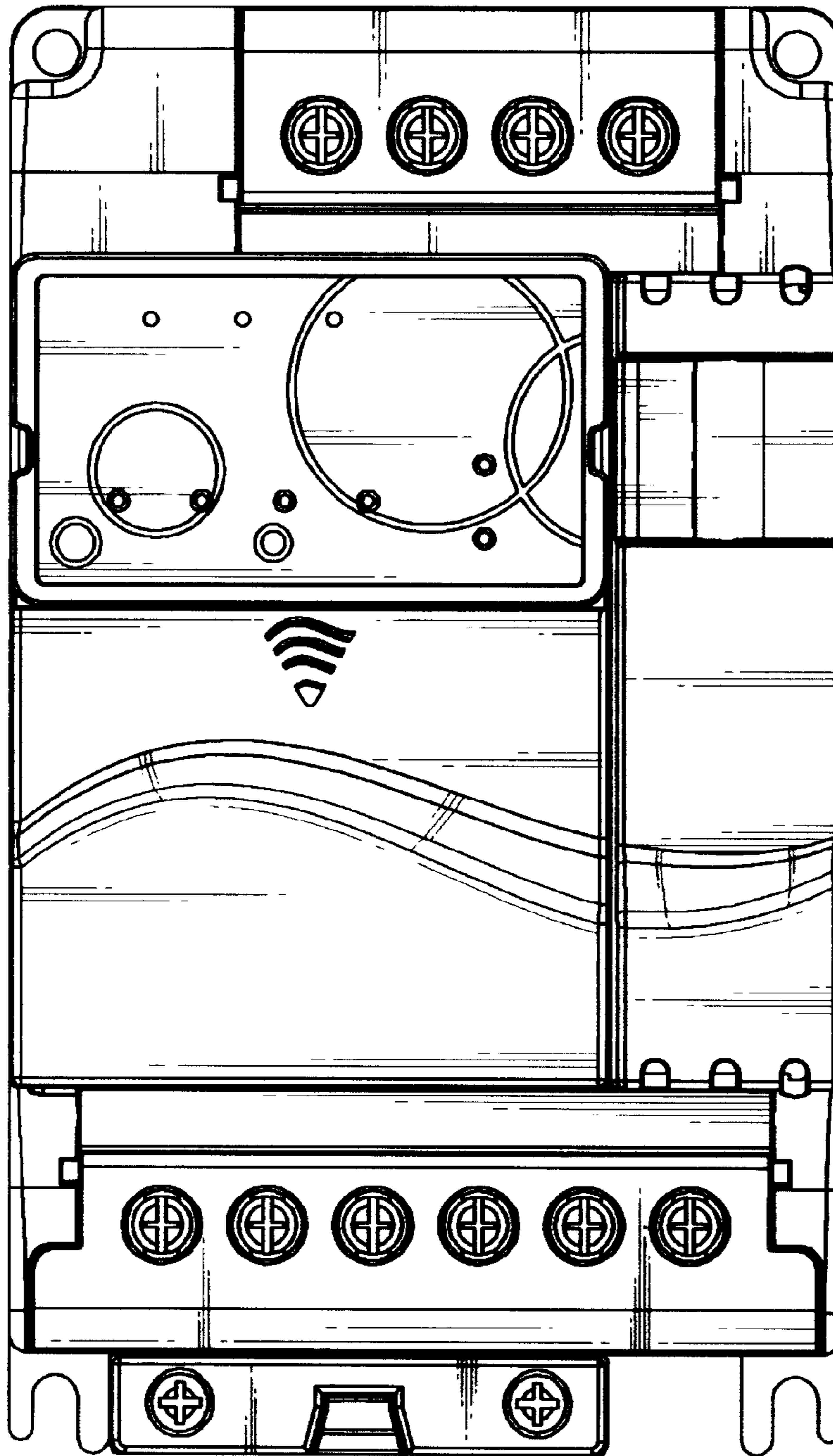


FIG. 2

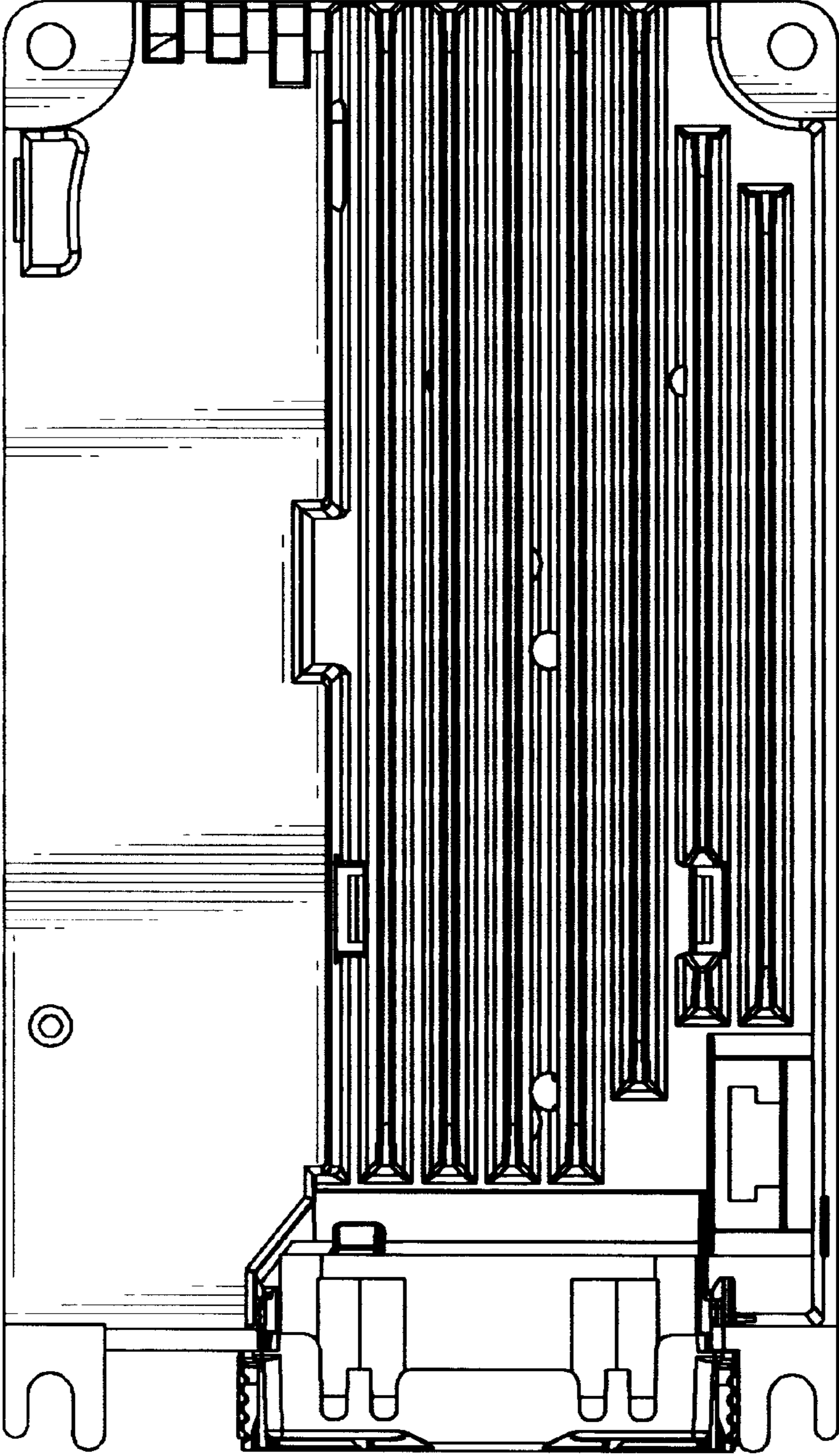


FIG. 3

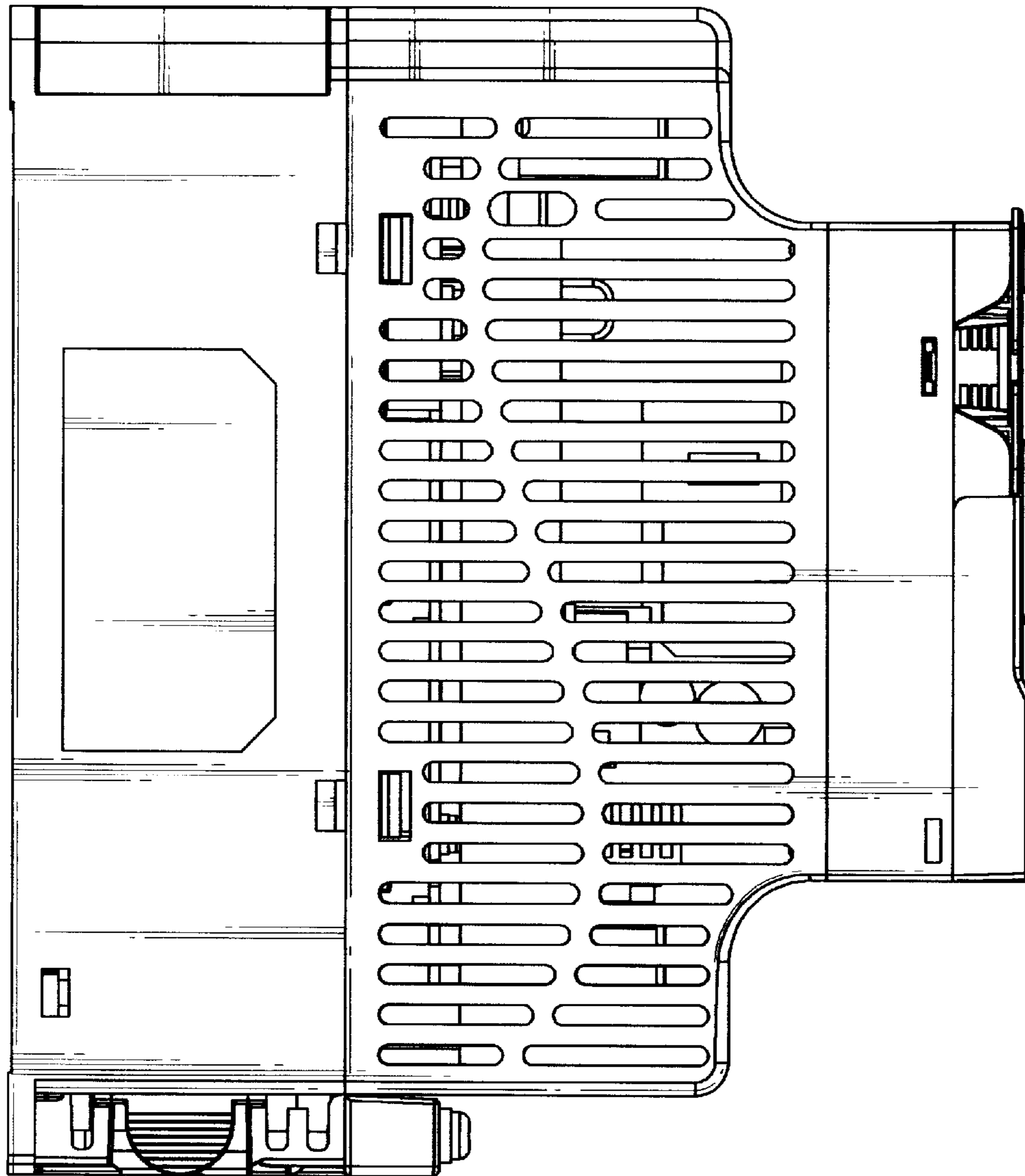


FIG. 4

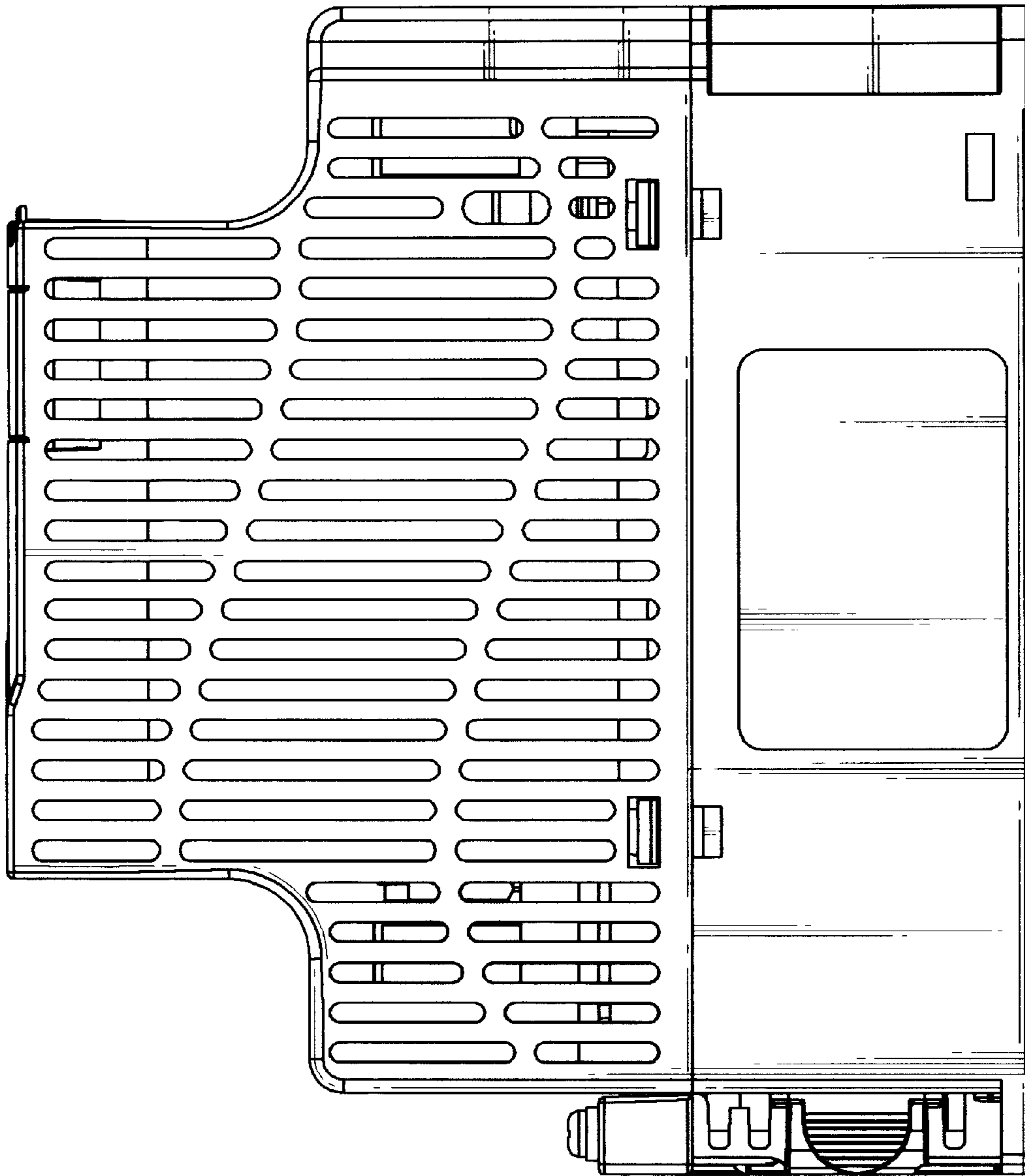


FIG. 5

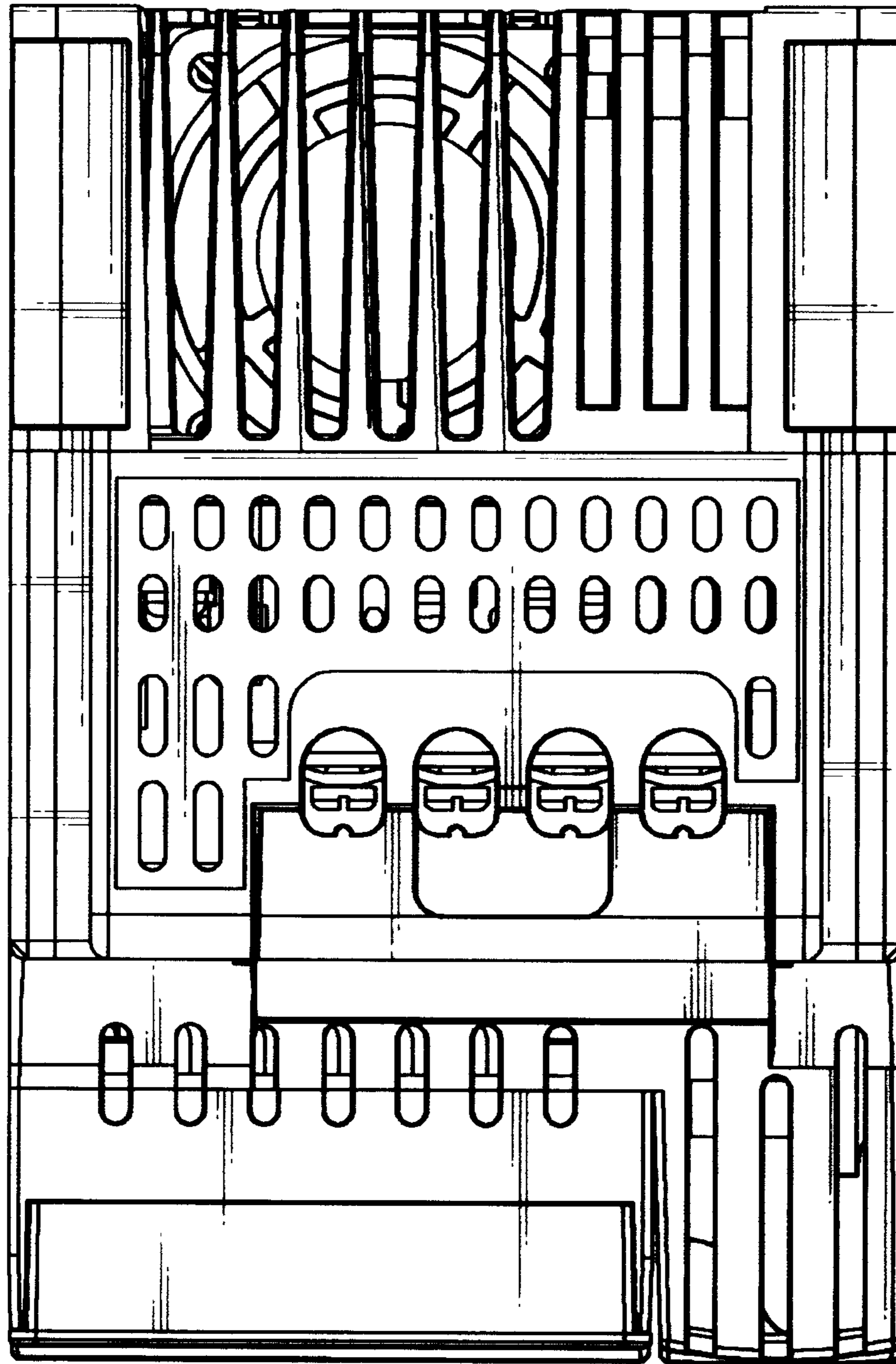


FIG. 6

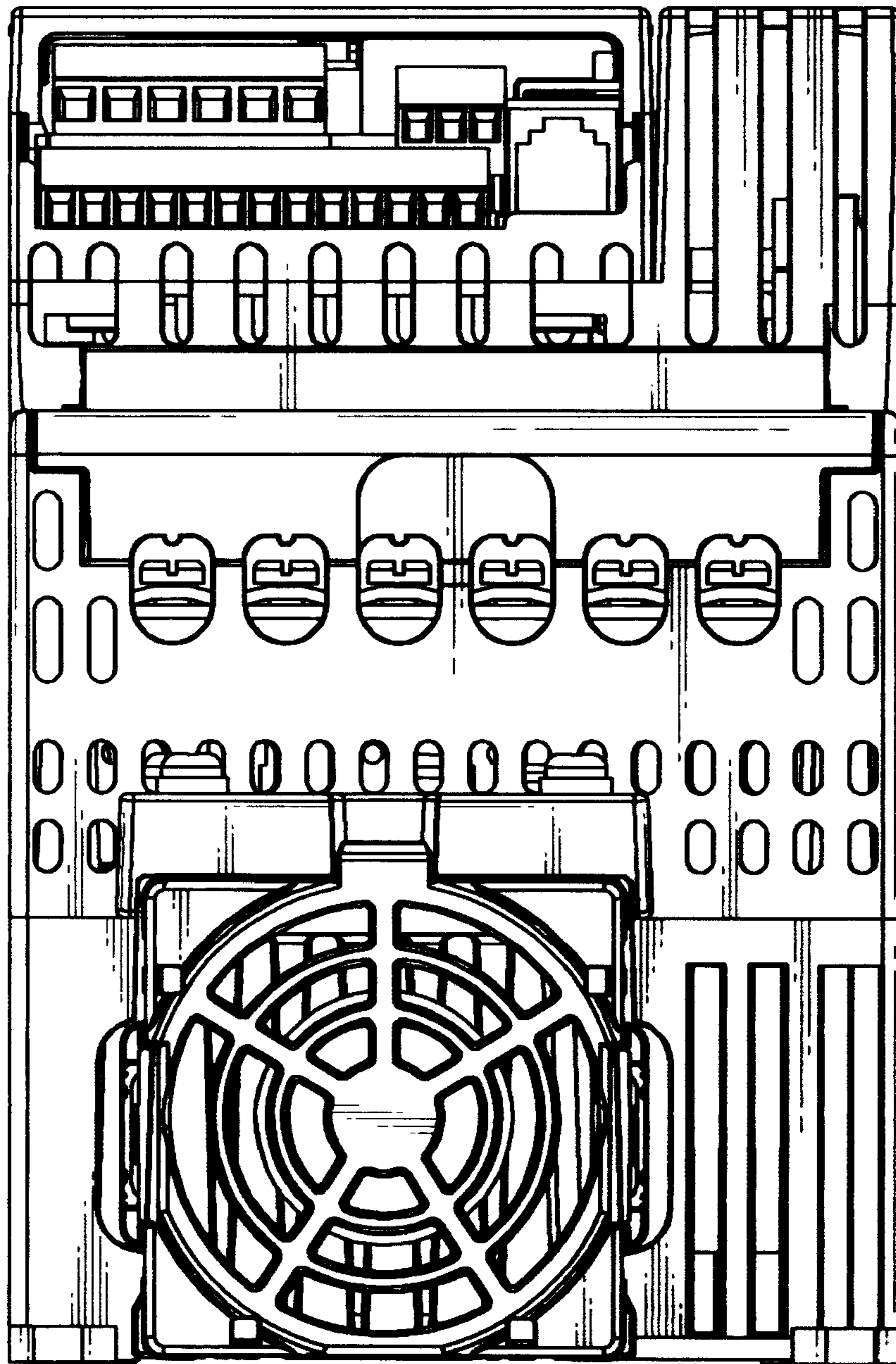


FIG. 7